

US00D541270S

(12) **United States Design Patent**
Sassano et al.

(10) **Patent No.:** **US D541,270 S**

(45) **Date of Patent:** **** Apr. 24, 2007**

(54) **RUGGED PORTABLE COMPUTER**

(57) **CLAIM**

(75) Inventors: **Camillo Sassano**, Durham, NC (US);
Robert Edward Steinbugler, Raleigh,
NC (US)

The ornamental design for a rugged portable computer, as shown and described.

(73) Assignee: **International Business Machines Corporation**, Armonk, NY (US)

DESCRIPTION

(**) Term: **14 Years**

FIG. 1 is a top, left perspective view of a rugged portable computer in a closed configuration, with the handle in a carry position;

(21) Appl. No.: **29/239,460**

FIG. 2 is a top, right perspective view of the rugged portable computer in a closed configuration, with the handle rotated downwards in a stored position;

(22) Filed: **Sep. 29, 2005**

FIG. 3 is a front perspective view of the rugged portable computer in an open configuration, with the handle in a carrying position;

(51) **LOC (8) Cl.** **14-02**

(52) **U.S. Cl.** **D14/315**

(58) **Field of Classification Search** D14/315-328,
D14/343, 345; D18/1, 2, 7; 235/145 A, 145 R;
341/22, 23; 345/104, 156, 168, 169, 173;
361/680-686; 348/373; D19/60
See application file for complete search history.

FIG. 4 is a right perspective view of the rugged portable computer in an open configuration, with the handle rotated downwards in a stored position;

FIG. 5 is a top view of the rugged portable computer when closed;

(56) **References Cited**

U.S. PATENT DOCUMENTS

D310,071 S	*	8/1990	Kit	D14/315
D319,223 S	*	8/1991	Pierce et al.	D14/345
D330,048 S	*	10/1992	Cheung et al.	D19/60
5,251,102 A	*	10/1993	Kimble	361/683
D349,299 S	*	8/1994	Fok	D19/60
D358,171 S	*	5/1995	Cheng	D19/60
D426,574 S	*	6/2000	Chan	D14/318
D494,220 S	*	8/2004	Yu	D19/60
D495,326 S	*	8/2004	Horiki	D14/318

FIG. 6 is a bottom view of the rugged portable computer when closed;

FIG. 7 is a front view of the rugged portable computer when closed;

FIG. 8 is a front view of the rugged portable computer when open;

FIG. 9 is a rear view of the rugged portable computer when closed;

* cited by examiner

FIG. 10 is a right view of the rugged portable computer when closed;

FIG. 11 is a right view of the rugged portable computer when open;

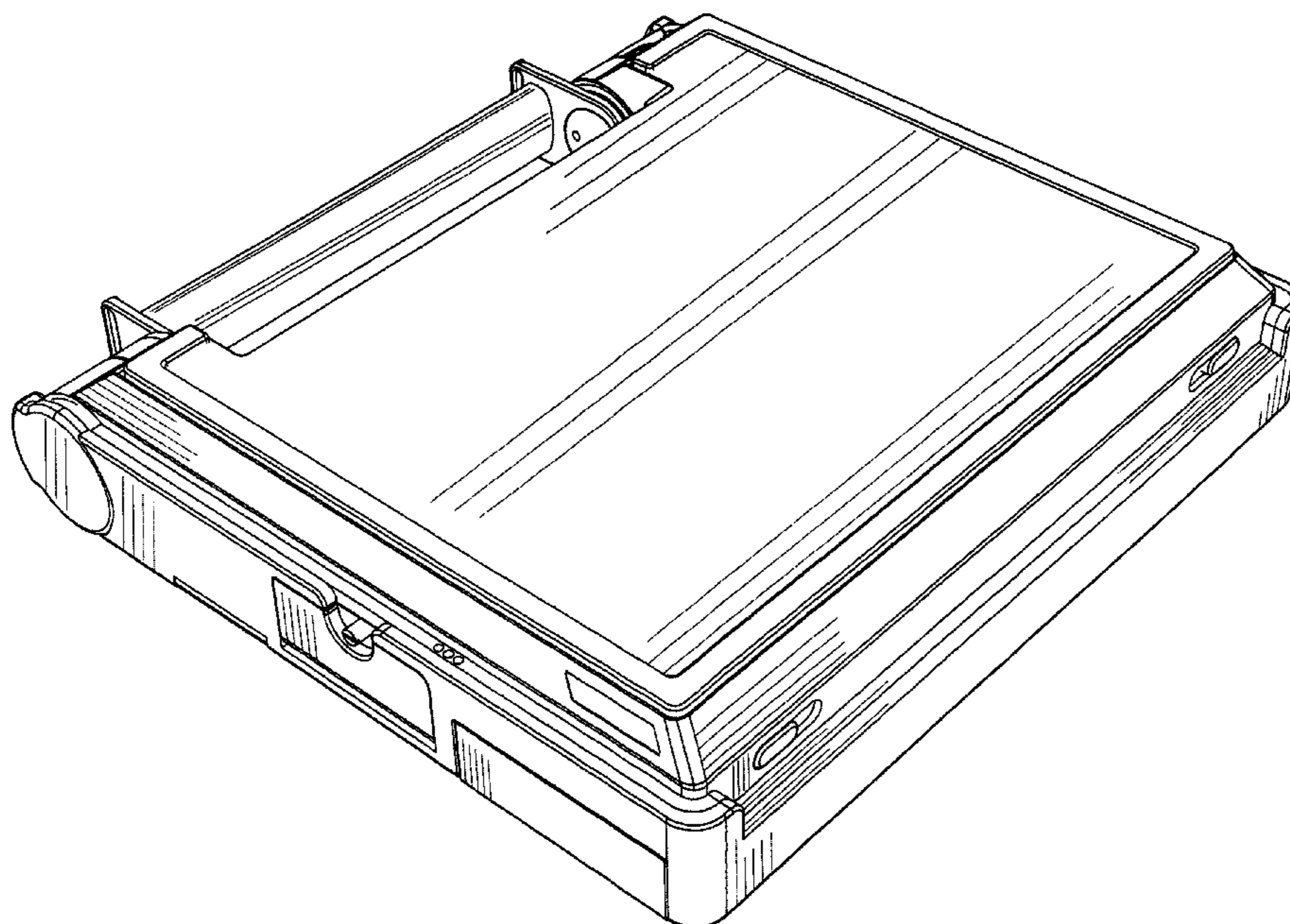
FIG. 12 is a left view of the rugged portable computer when closed; and,

FIG. 13 is a left view of the rugged portable computer when open.

Primary Examiner—Freda S. Nunn

(74) *Attorney, Agent, or Firm*—James R. Nock

1 Claim, 13 Drawing Sheets



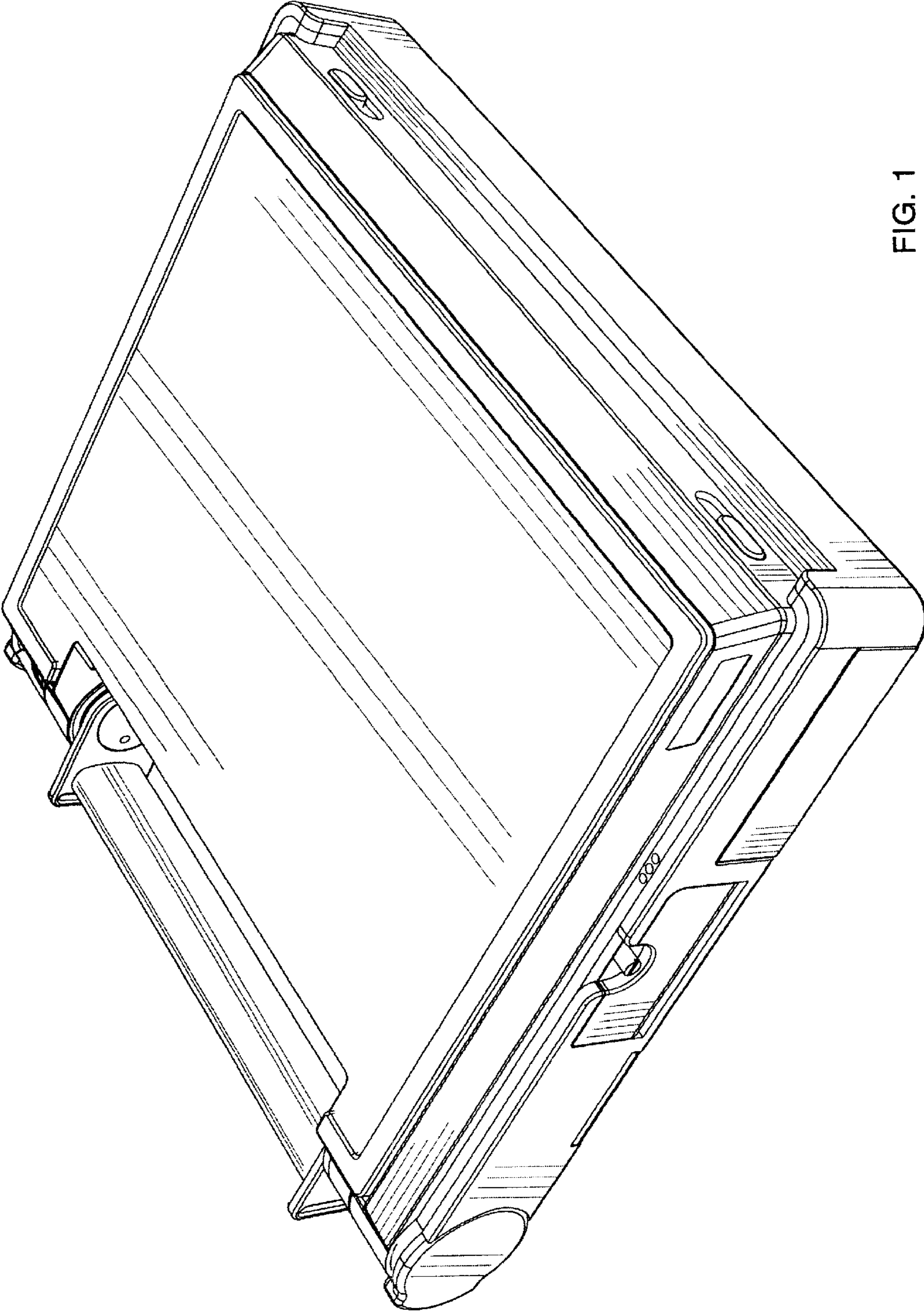


FIG. 1

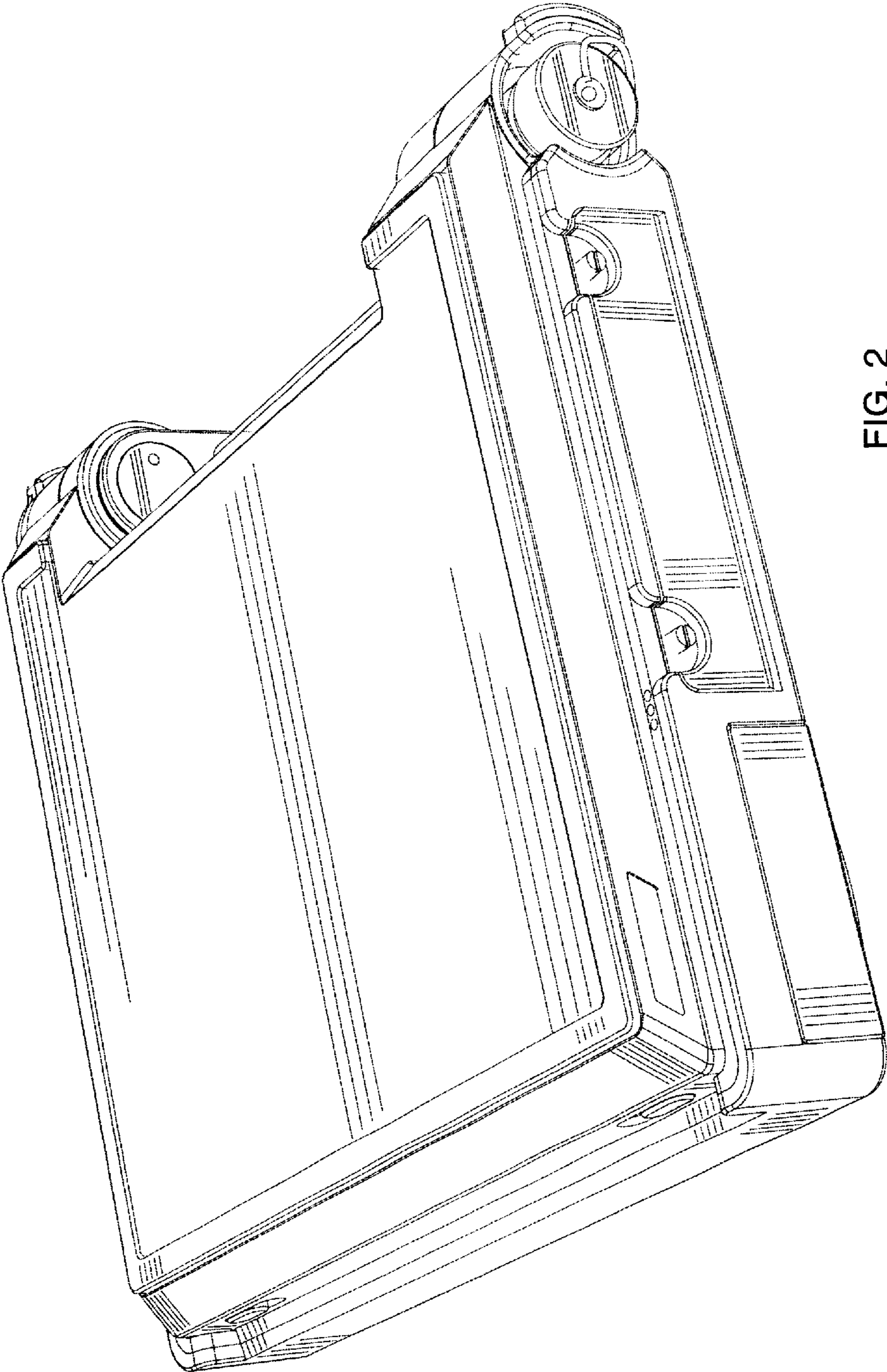


FIG. 2

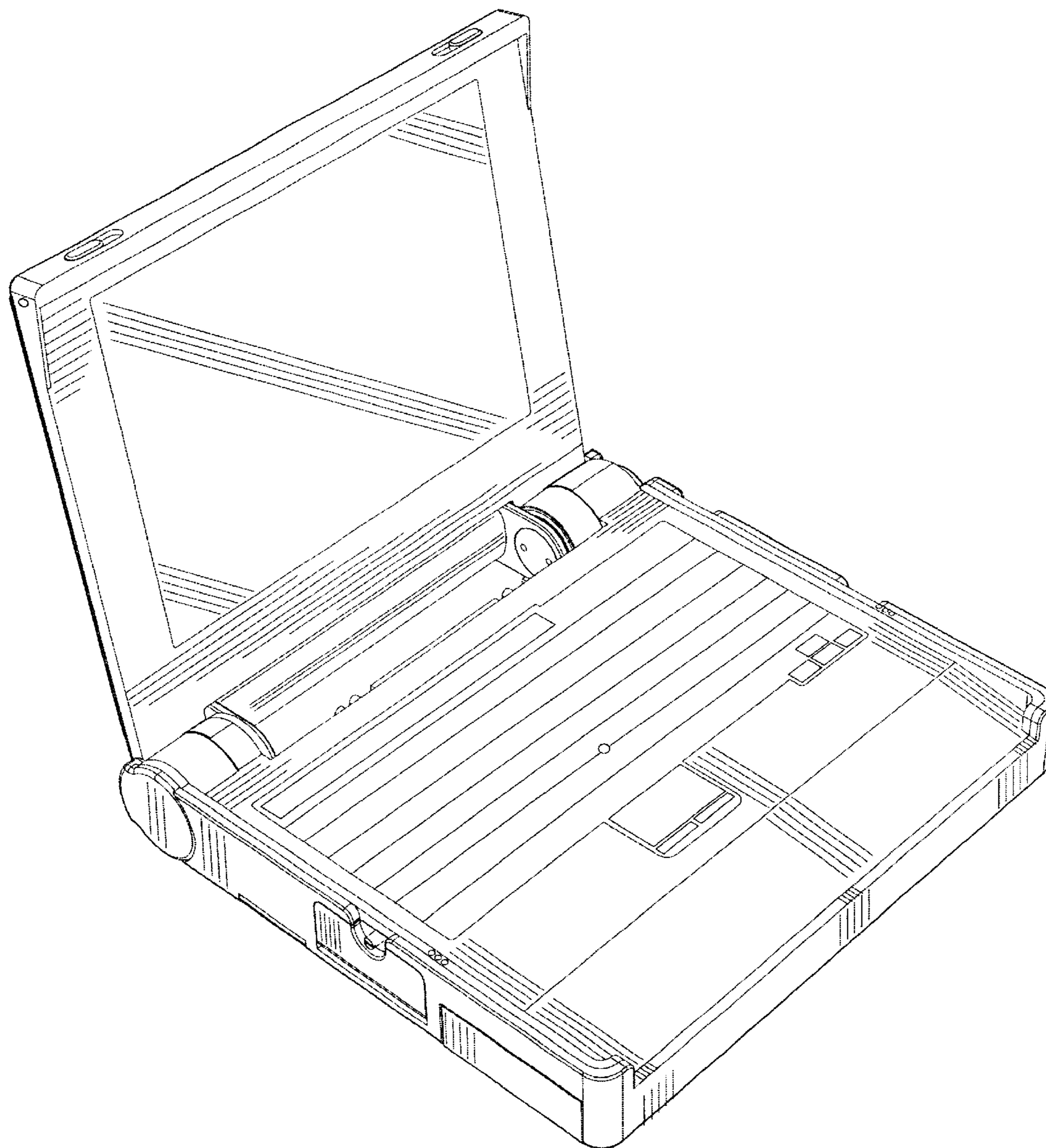


FIG. 3

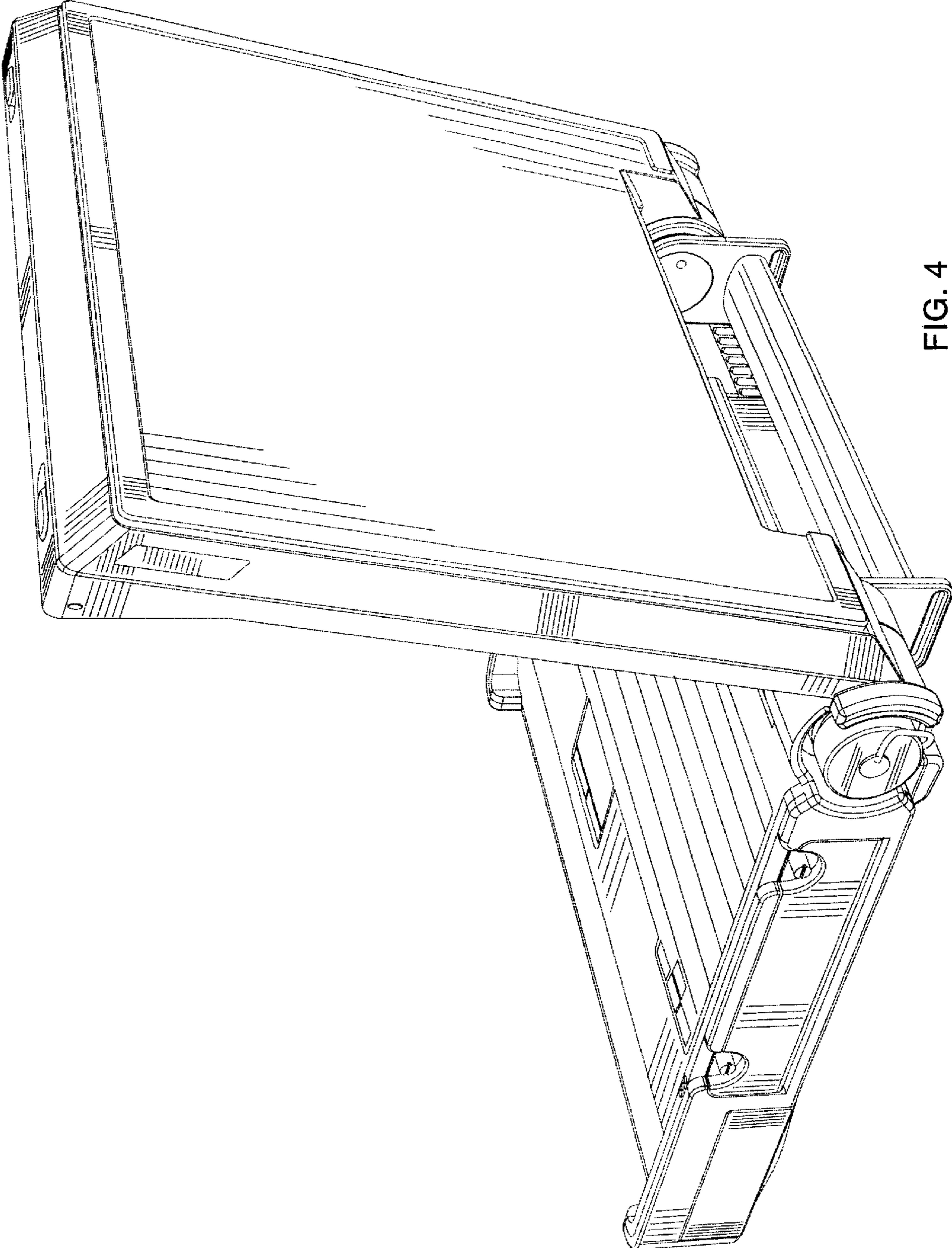


FIG. 4

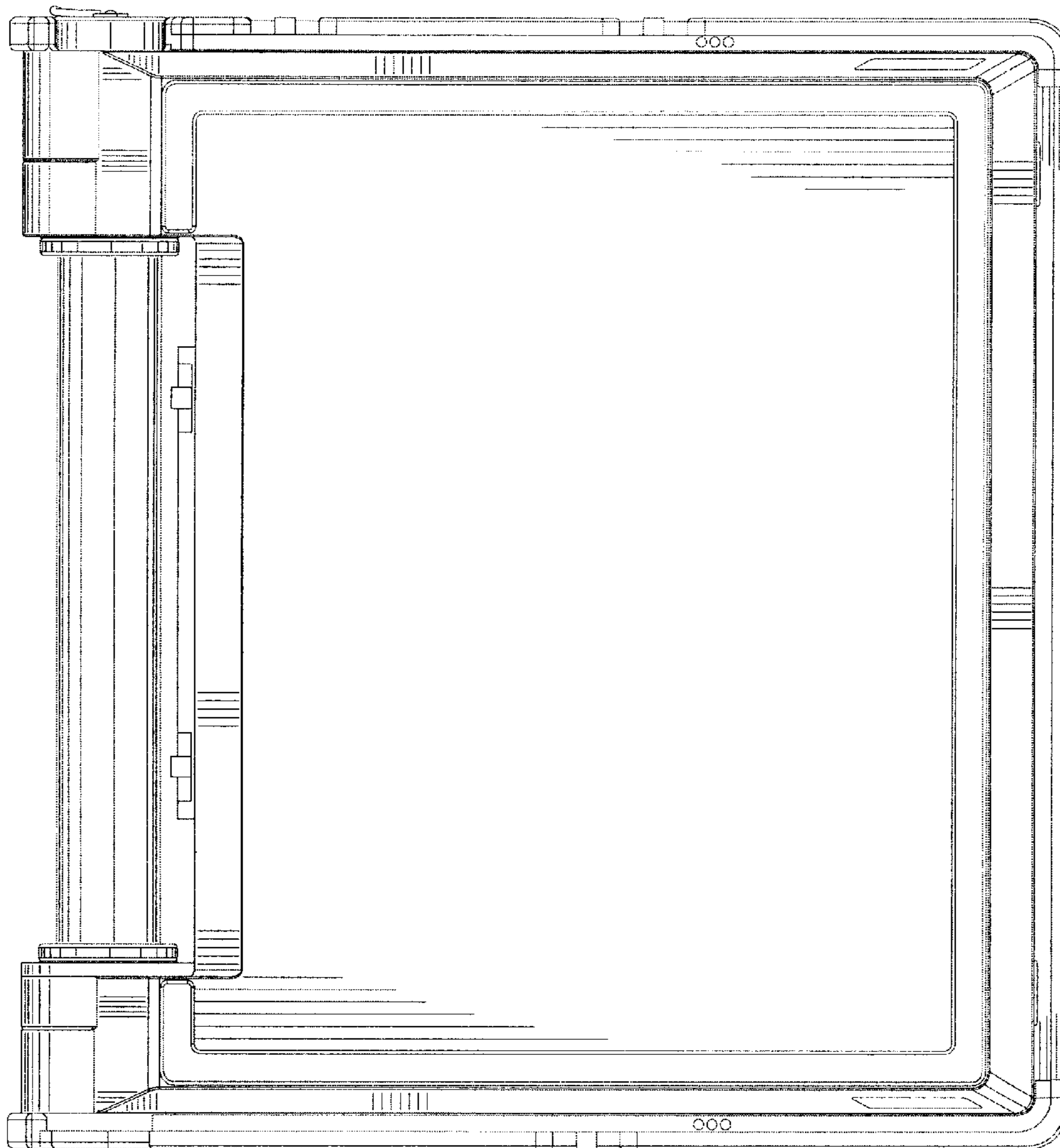


FIG. 5

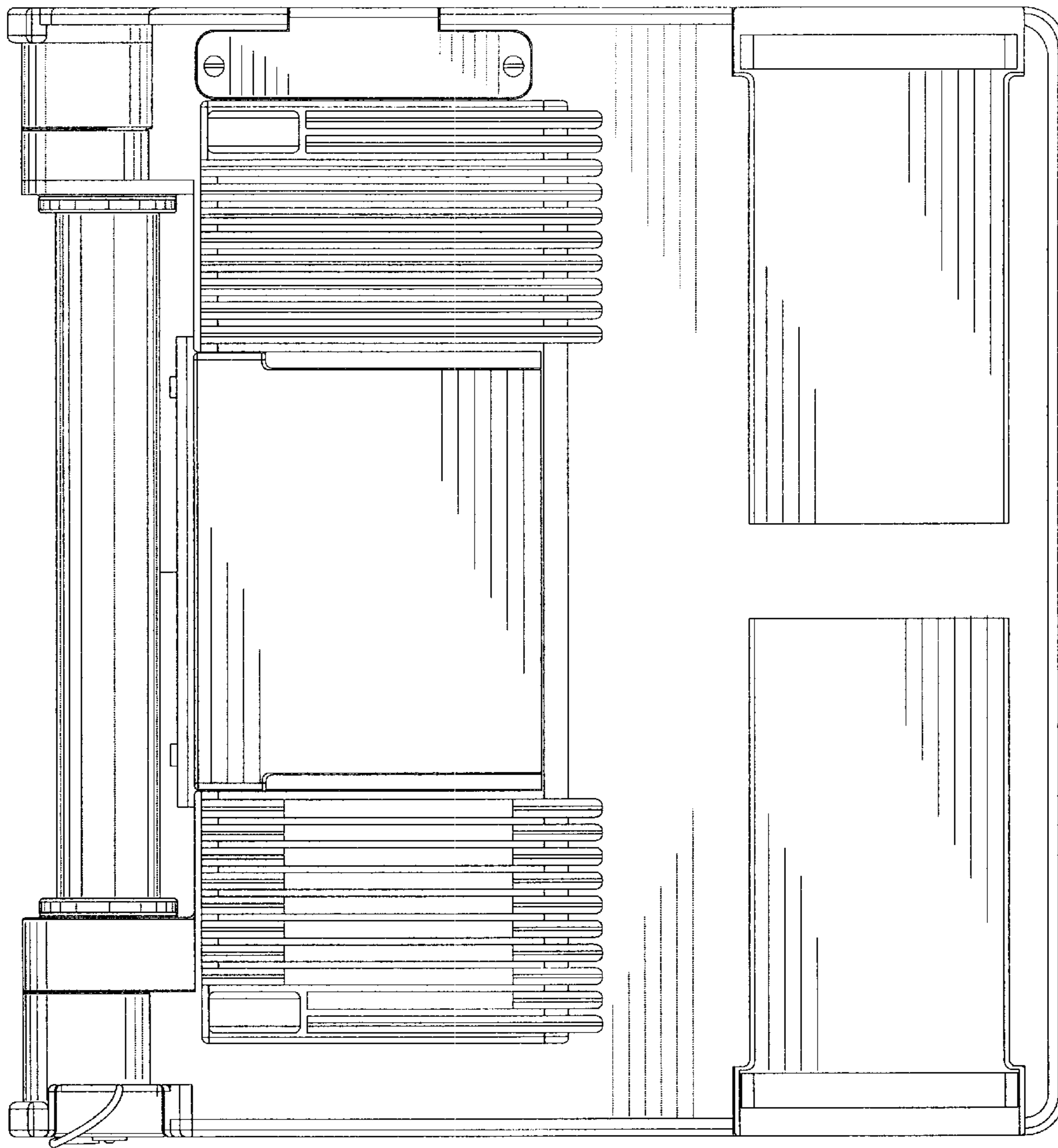


FIG. 6

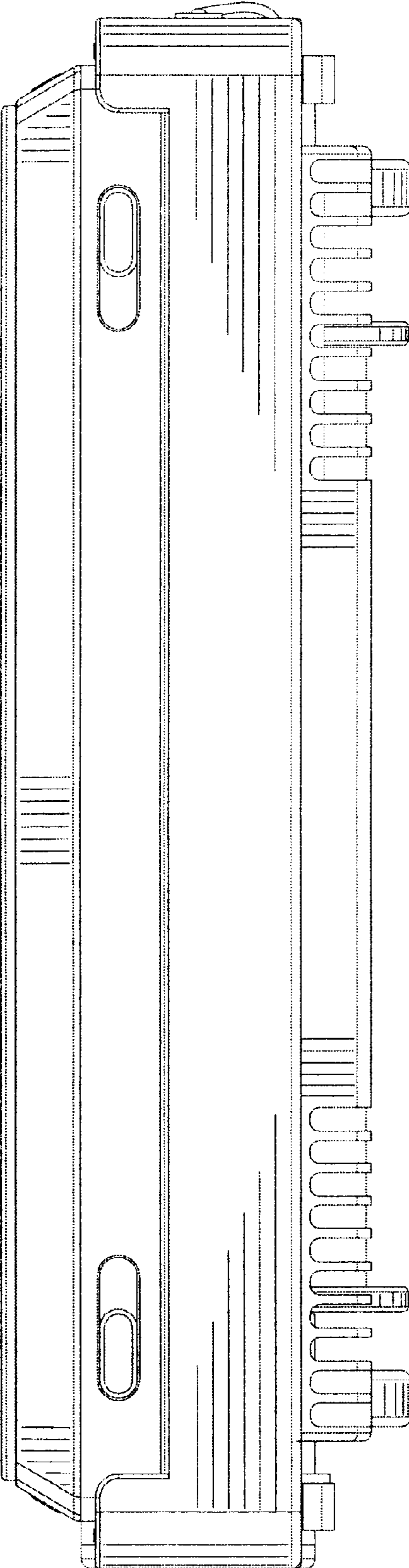


FIG. 7

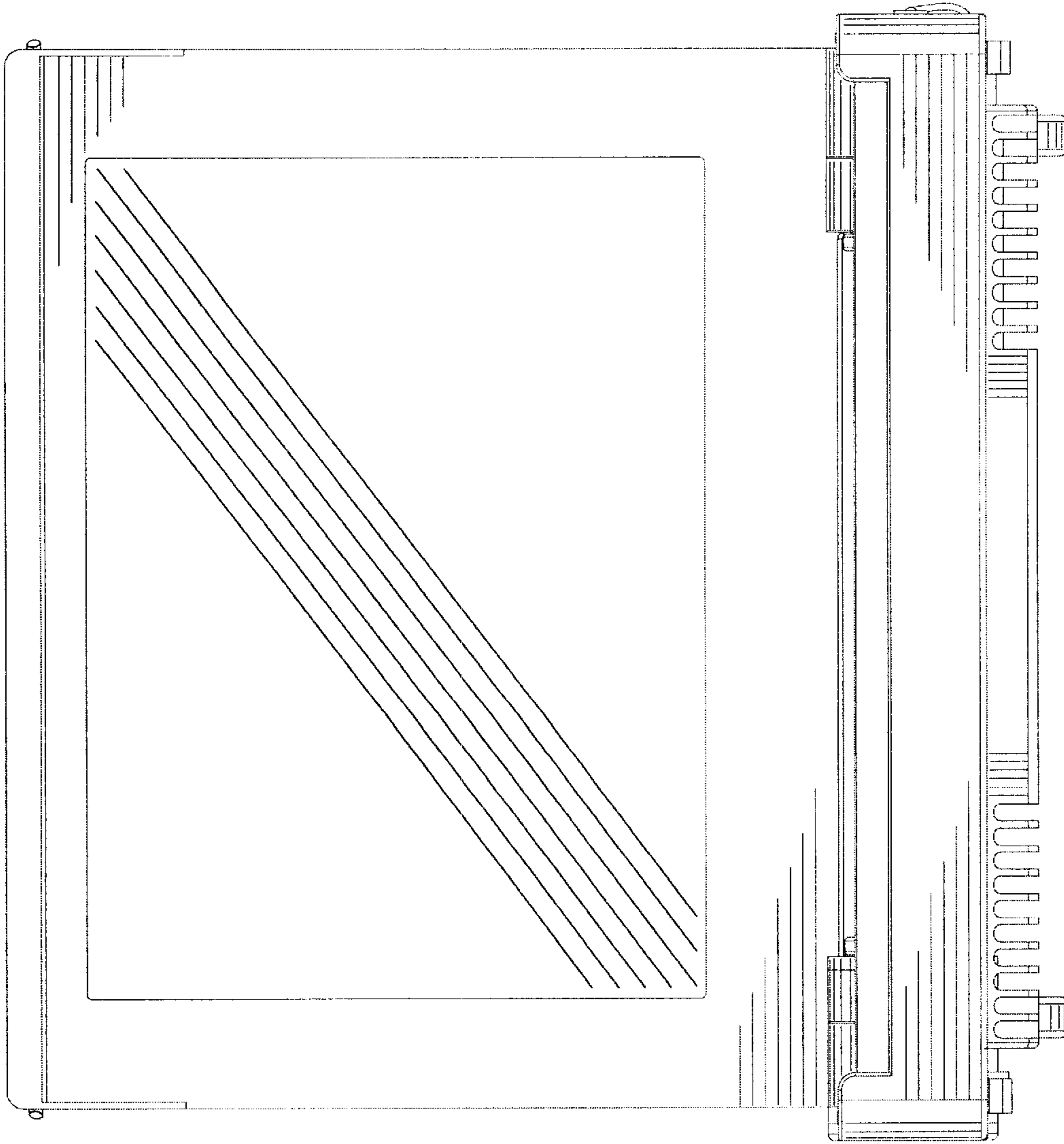


Fig. 8

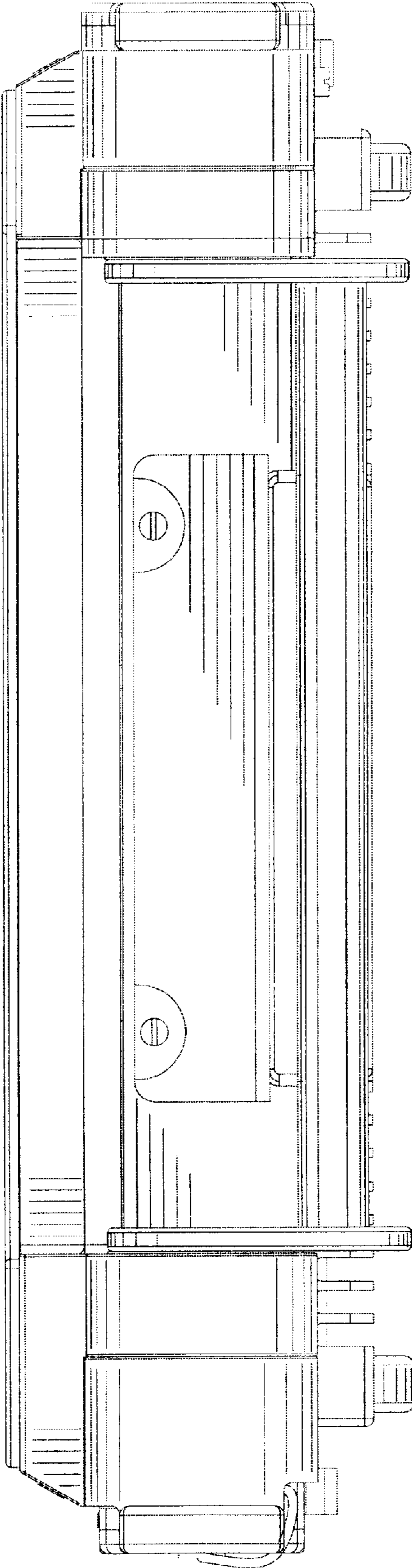


Fig. 9

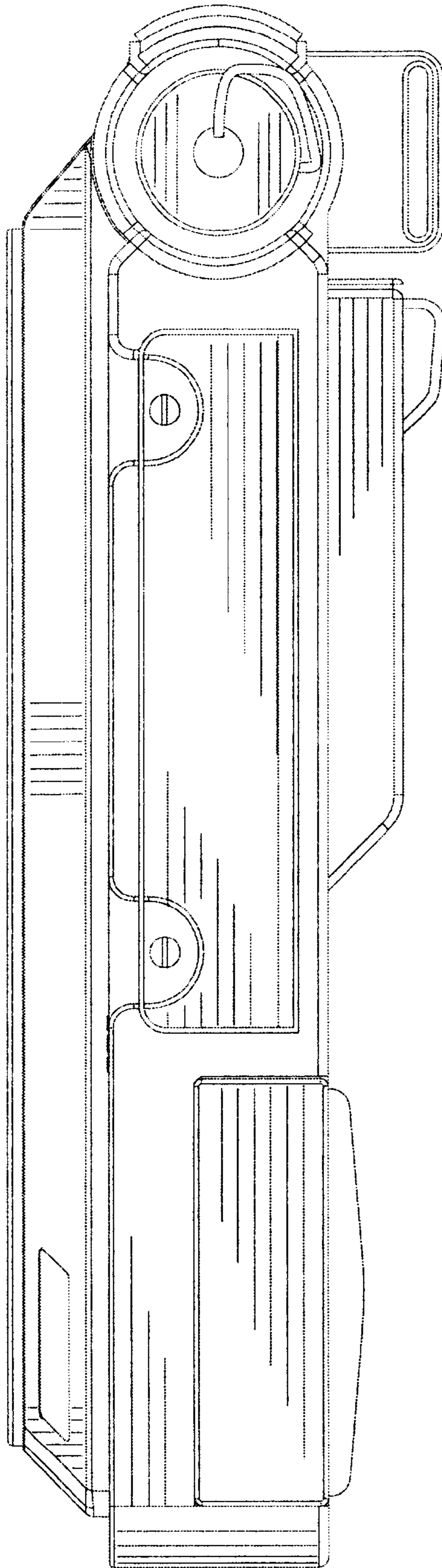


Fig. 10

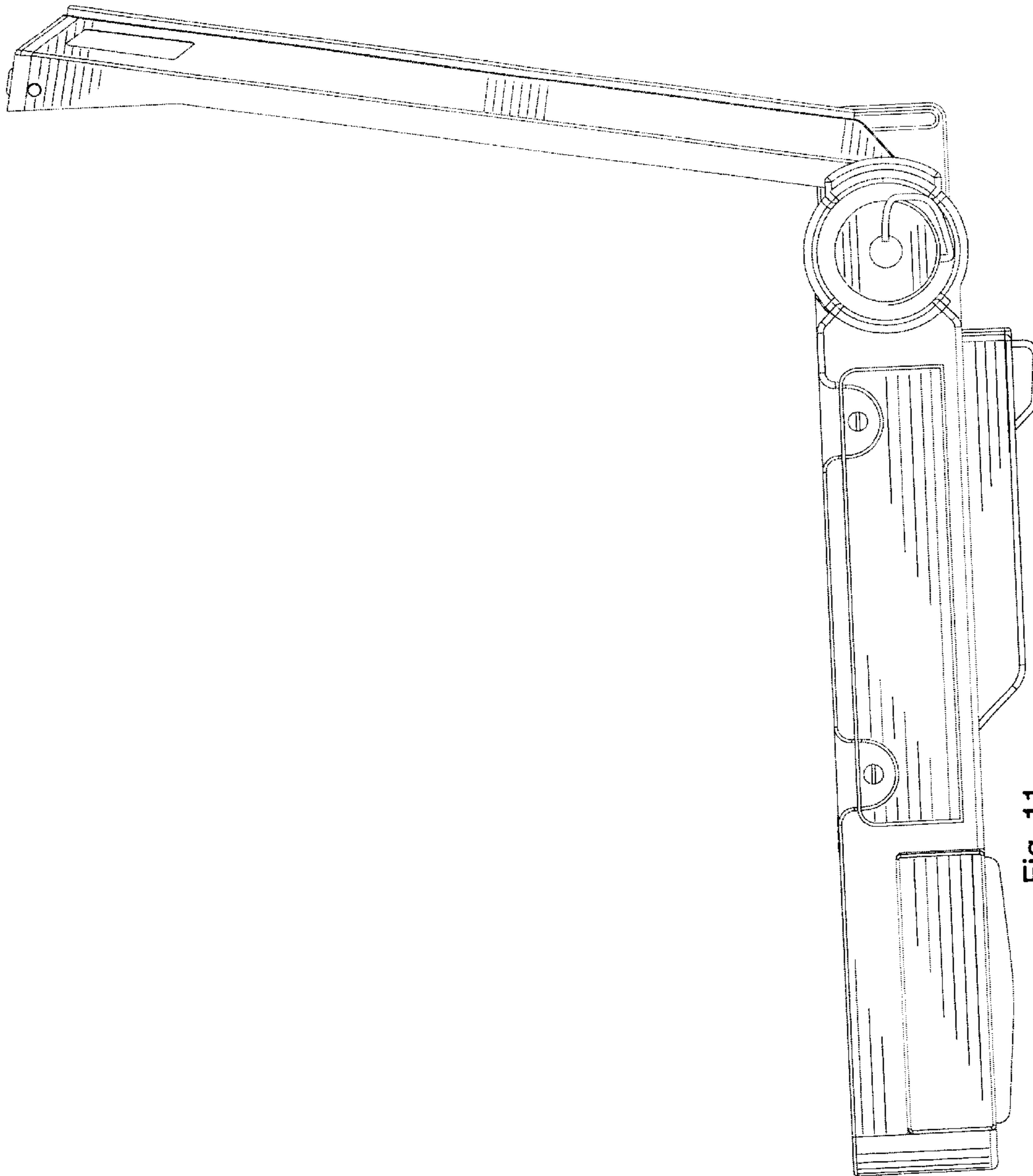


Fig. 11

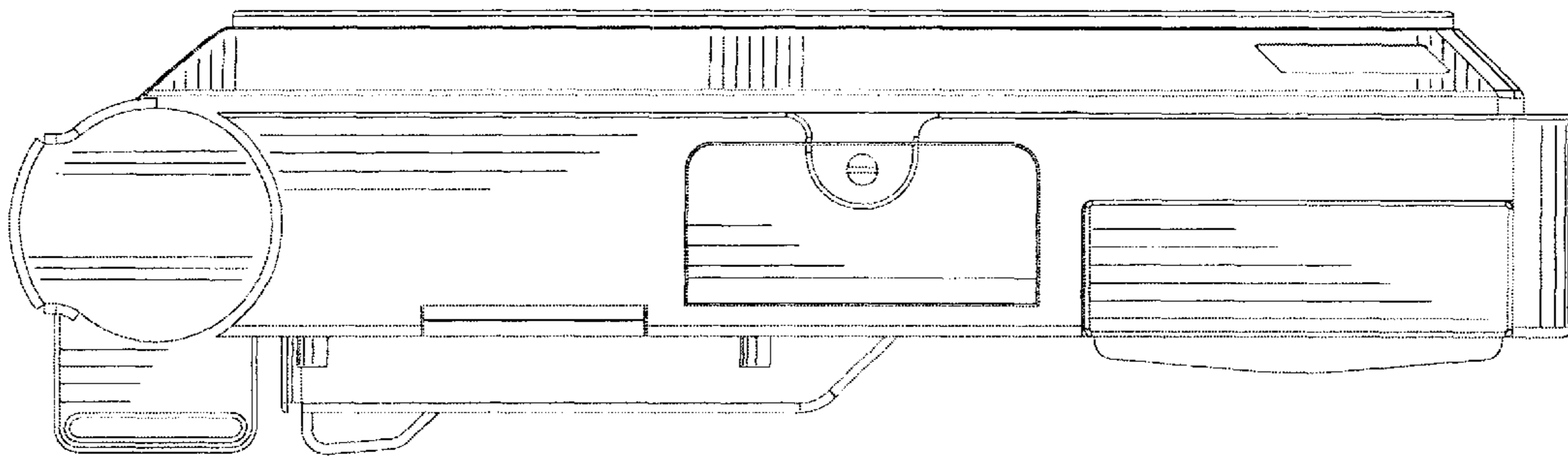


Fig. 12

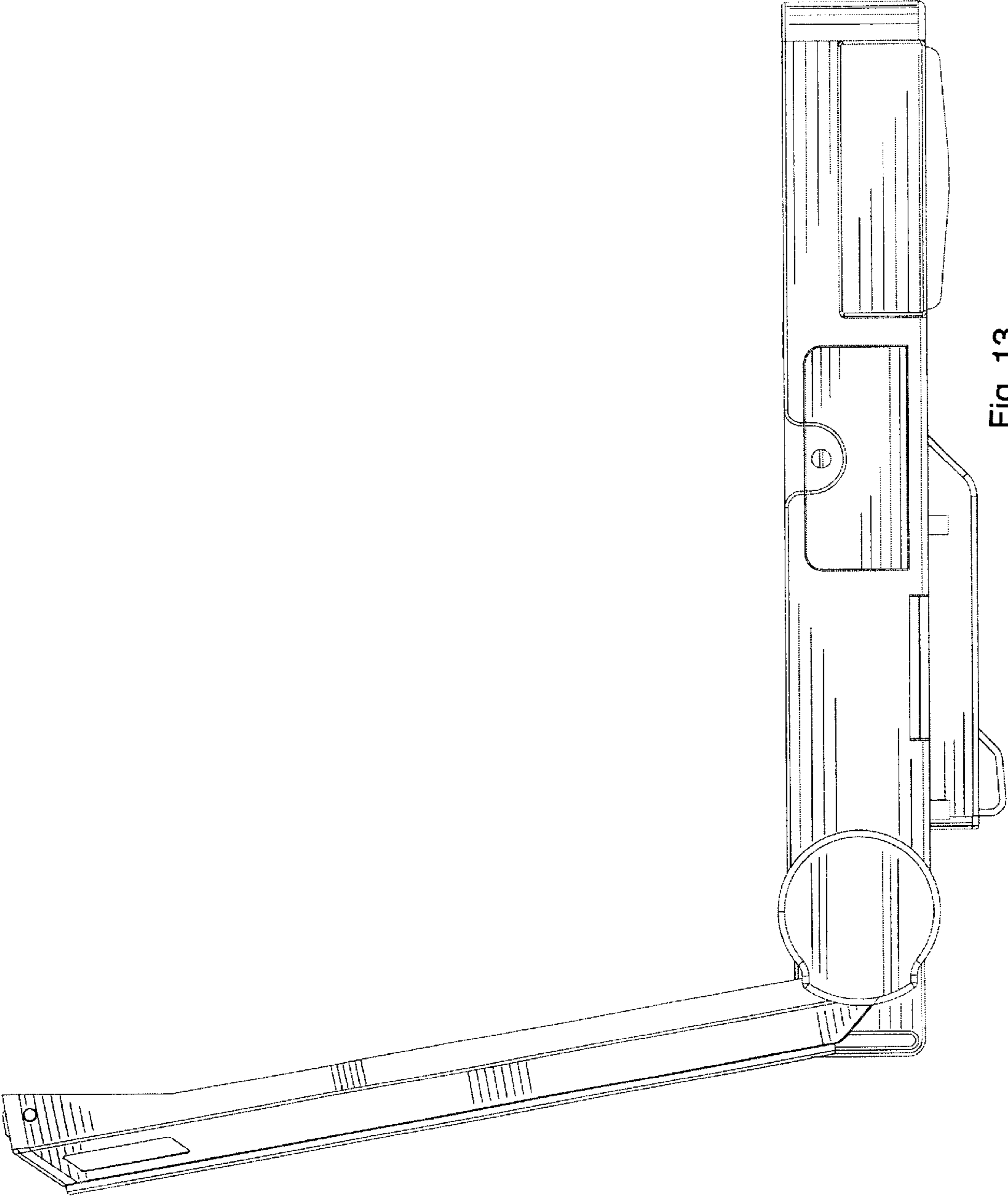


Fig. 13