

US00D541269S

(12) **United States Design Patent**  
**Heesen**

(10) **Patent No.:** **US D541,269 S**

(45) **Date of Patent:** **\*\* Apr. 24, 2007**

(54) **COMPUTER HOUSING**

(75) Inventor: **Klaus Heesen**, Leonberg (DE)

(73) Assignee: **Hush Technologies Investments, Ltd.**,  
London (GB)

(\*\*) Term: **14 Years**

(21) Appl. No.: **29/204,543**

(22) Filed: **Apr. 30, 2004**

(30) **Foreign Application Priority Data**

Oct. 30, 2003 (GB) ..... 3014982  
Mar. 10, 2004 (EM) ..... 000159504

(51) **LOC (8) Cl.** ..... **14-02**

(52) **U.S. Cl.** ..... **D14/314**

(58) **Field of Classification Search** ..... D14/300,  
D14/314, 354, 356, 361-370; D13/162, 184,  
D13/199; 312/223.1; 360/99.01-99.12; 361/680-686,  
361/690-696; 369/34.01, 36.01

See application file for complete search history.

(56) **References Cited**

**U.S. PATENT DOCUMENTS**

D305,227 S \* 12/1989 Esslinger ..... D14/354  
D342,724 S \* 12/1993 Yurkonis et al. .... D14/354

5,793,608 A \* 8/1998 Winick et al. .... 361/695  
D422,270 S \* 4/2000 Wong ..... D14/354  
6,088,224 A \* 7/2000 Gallagher et al. .... 361/695  
D474,767 S \* 5/2003 Heesen ..... D14/354

\* cited by examiner

*Primary Examiner*—Freda S. Nunn

(74) *Attorney, Agent, or Firm*—Banner & Witcoff, Ltd.

(57) **CLAIM**

The ornamental design for a computer housing, as shown and described.

**DESCRIPTION**

FIG. 1 is a top-front perspective view of a computer housing showing my/our new design taken from a corner;

FIG. 2 is an enlarged front view thereof;

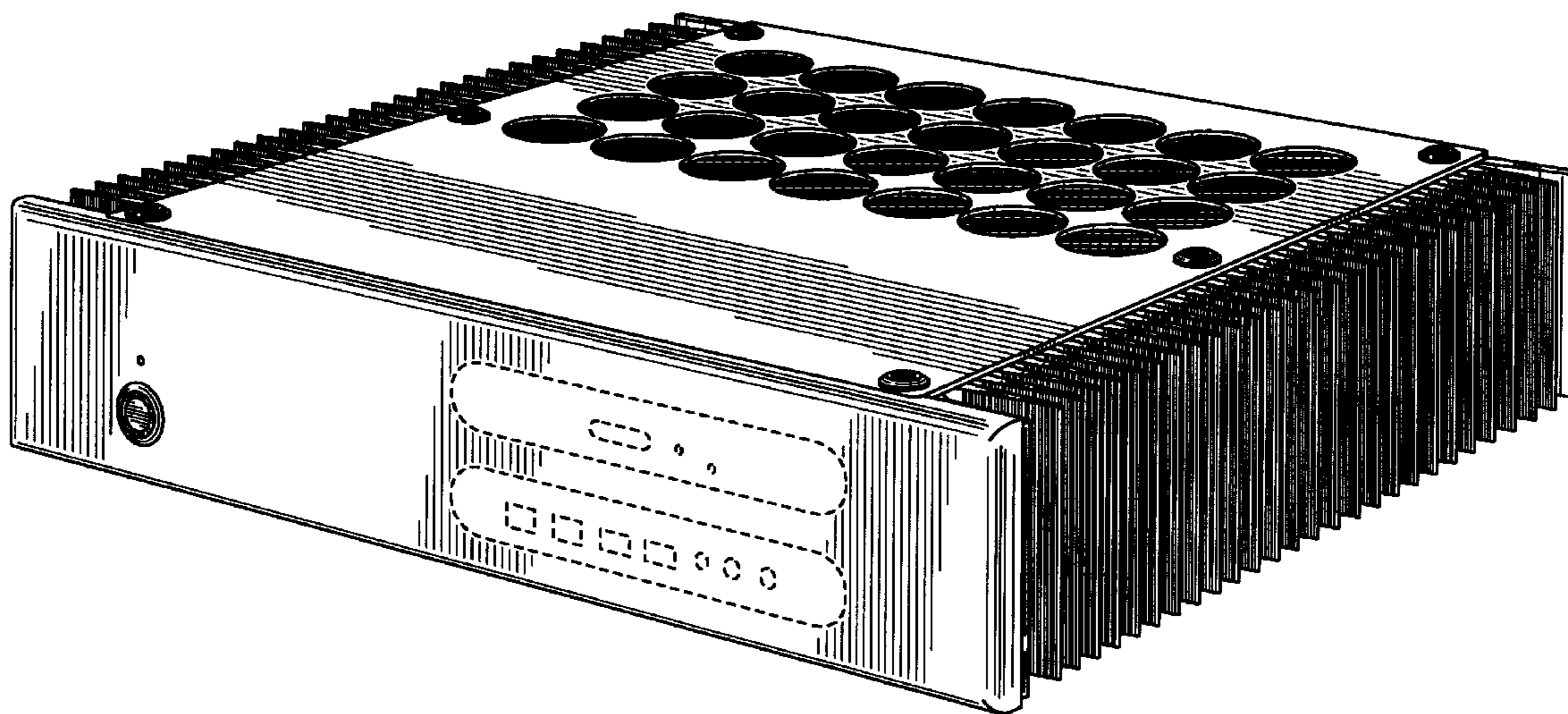
FIG. 3 is a side view thereof;

FIG. 4 is a top view thereof; and,

FIG. 5 is an enlarged detailed view of the front corner thereof.

The broken line showing of the two race track shaped regions on the front of the computer housing is for illustrative purposes only and forms no part of the claimed design. The unshown rear and bottom of the computer housing form no part of the claimed design.

**1 Claim, 4 Drawing Sheets**



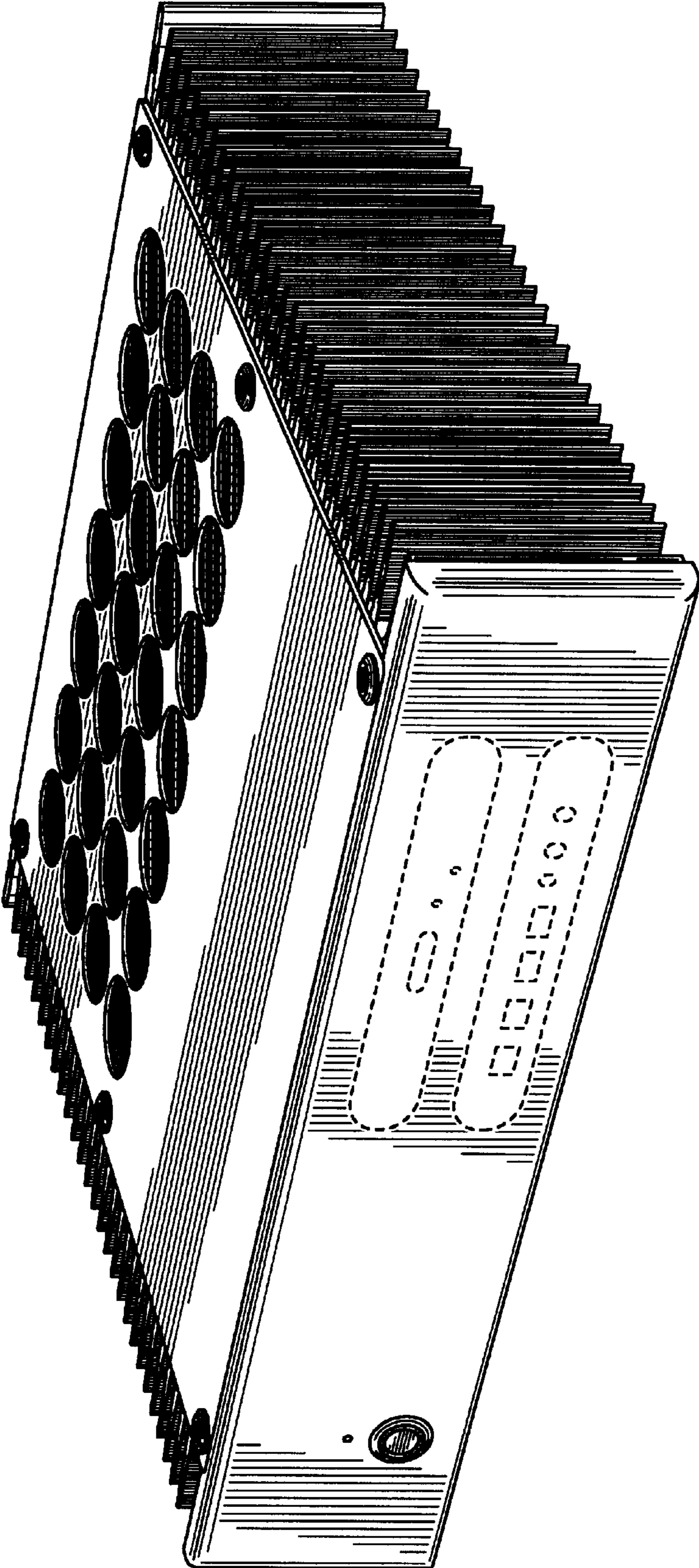


FIG. 1

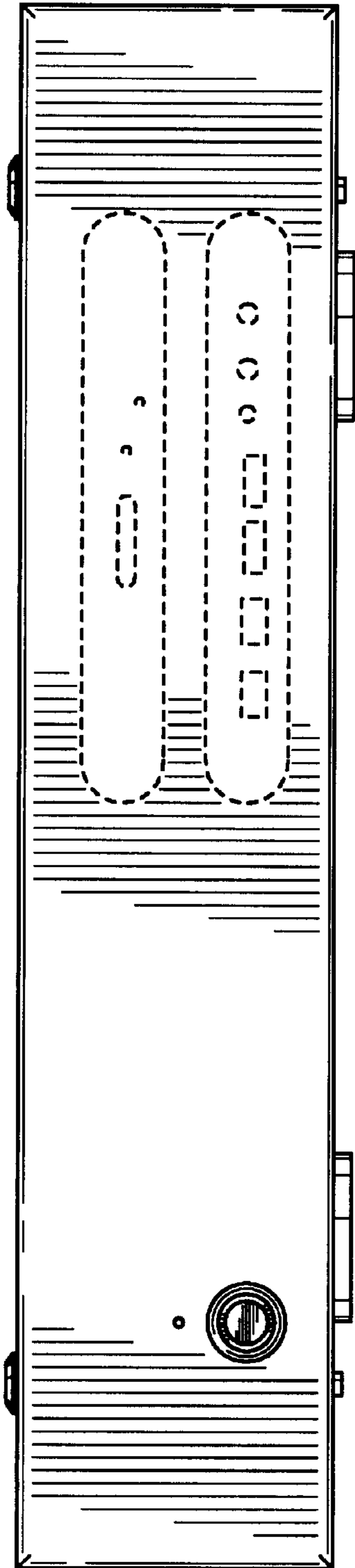


FIG. 2

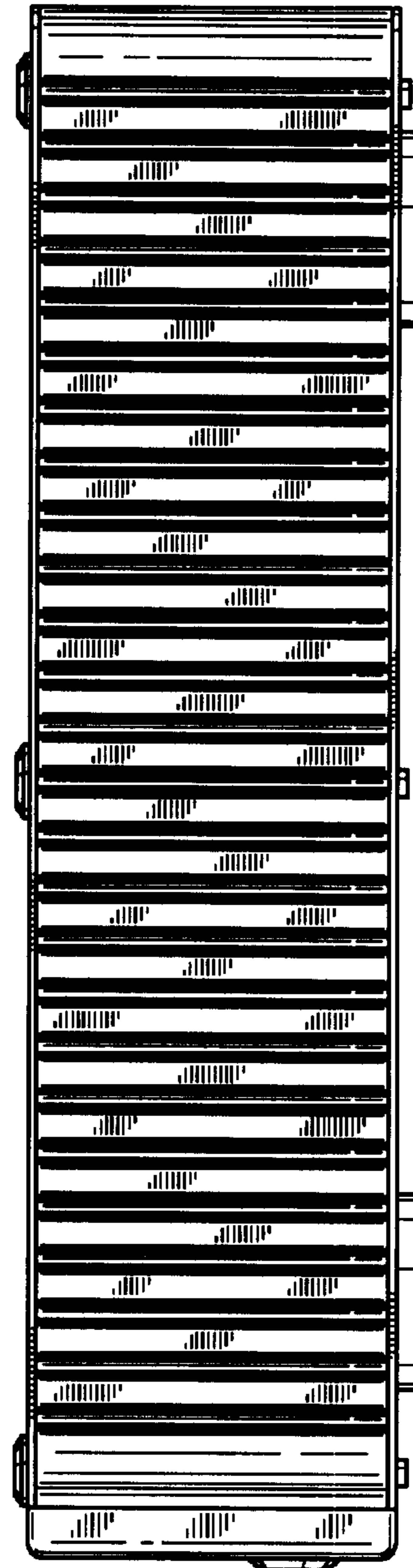


FIG. 3

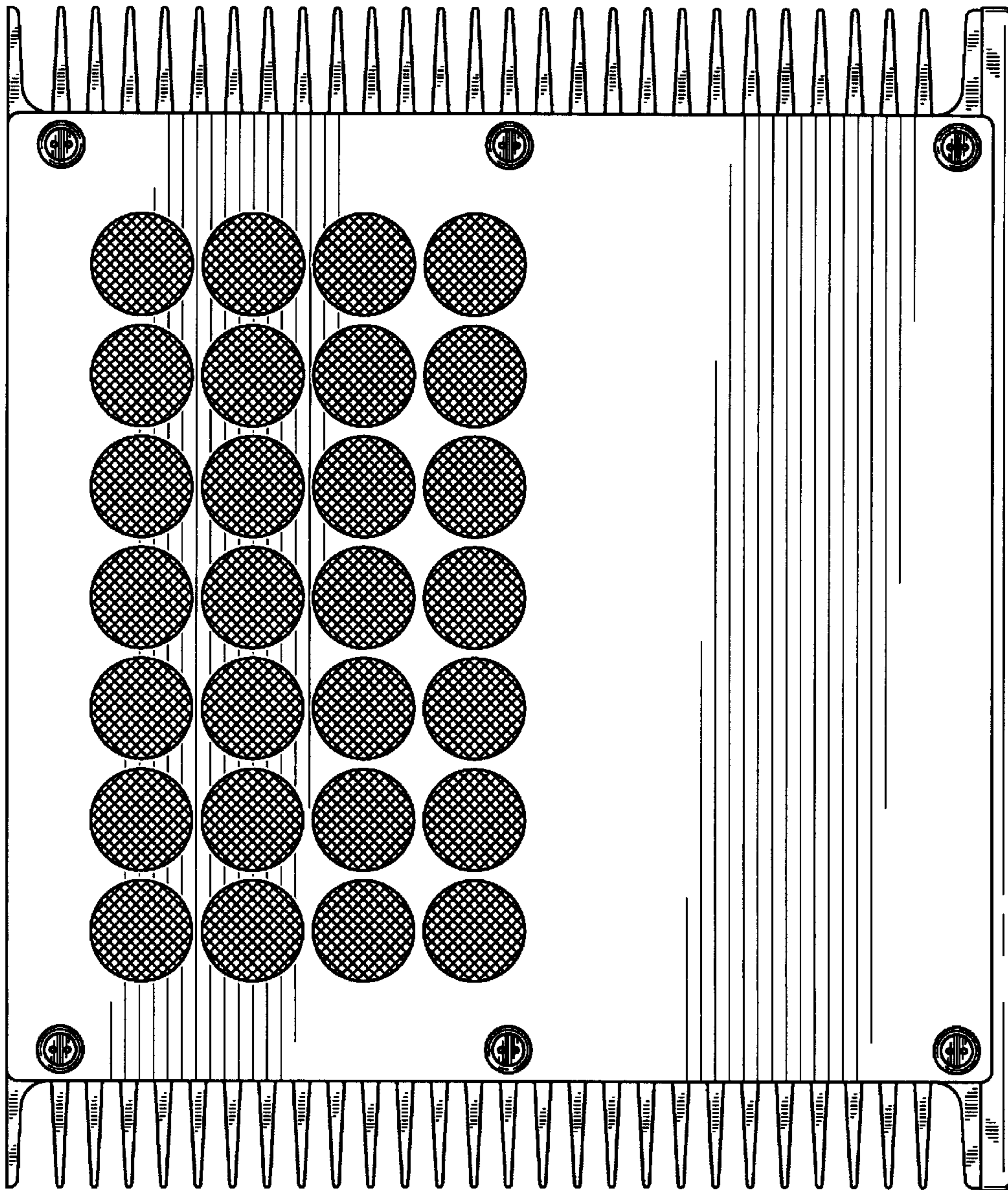


FIG. 4

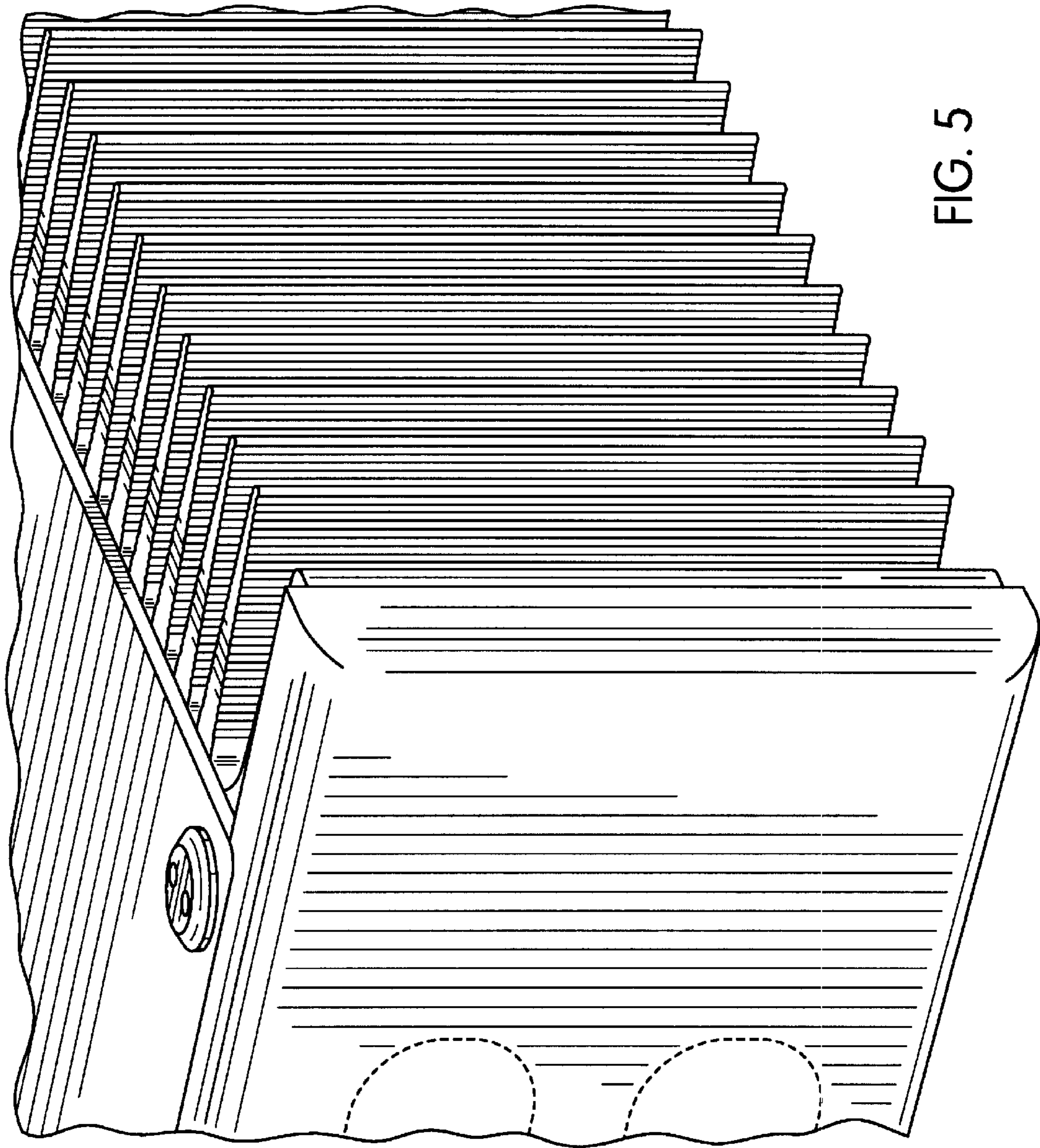


FIG. 5