

US00D541267S

(12) **United States Design Patent**  
**Sagen et al.**

(10) **Patent No.:** **US D541,267 S**

(45) **Date of Patent:** **\*\* Apr. 24, 2007**

(54) **TERMINAL FOR MULTIMEDIA  
COMMUNICATION**

D480,731 S \* 10/2003 Becker et al. .... D14/302  
D483,379 S \* 12/2003 Becker et al. .... D14/302

(75) Inventors: **Hallgrim Sagen**, Oslo (NO); **Torkel  
Steffen Mellingen**, Oslo (NO)

\* cited by examiner

*Primary Examiner*—Freda S. Nunn

(73) Assignee: **Tandberg Telecom AS**, Lysaker (NO)

(74) *Attorney, Agent, or Firm*—Oblon, Spivak, McClelland,  
Maier & Neustadt, P.C.

(\*\*) Term: **14 Years**

(57) **CLAIM**

(21) Appl. No.: **29/227,972**

The ornamental design for a terminal for multimedia com-  
munication, as shown and described.

(22) Filed: **Apr. 19, 2005**

**DESCRIPTION**

(30) **Foreign Application Priority Data**

Oct. 21, 2004 (NO) ..... 20040601

(51) **LOC (8) Cl.** ..... **14-02**

(52) **U.S. Cl.** ..... **D14/307**

(58) **Field of Classification Search** ..... D14/302–308,  
D14/371, 399, 125–129; 341/12; 345/104,  
345/156, 168, 173; 248/917–924; 348/180,  
348/184, 325, 739; 349/1, 2, 11, 62

See application file for complete search history.

FIG. 1 is a rear elevational view of the terminal for multi-  
media communication showing our new design;

FIG. 2 is a right and front side perspective view therefore,  
the left and front side perspective view being a mirror image  
of the view shown;

FIG. 3 is a top plan view thereof;

FIG. 4 is a left side elevational view thereof, the right side  
elevational view being a mirror image of the side view  
shown;

FIG. 5 is a rear and left side perspective view thereof, the  
rear and right side perspective view being a mirror image of  
the view shown; and,

FIG. 6 is a front elevational view thereof.

The indicia shown in the drawings forms no part of the  
claimed invention and is hereby disclaimed.

(56) **References Cited**

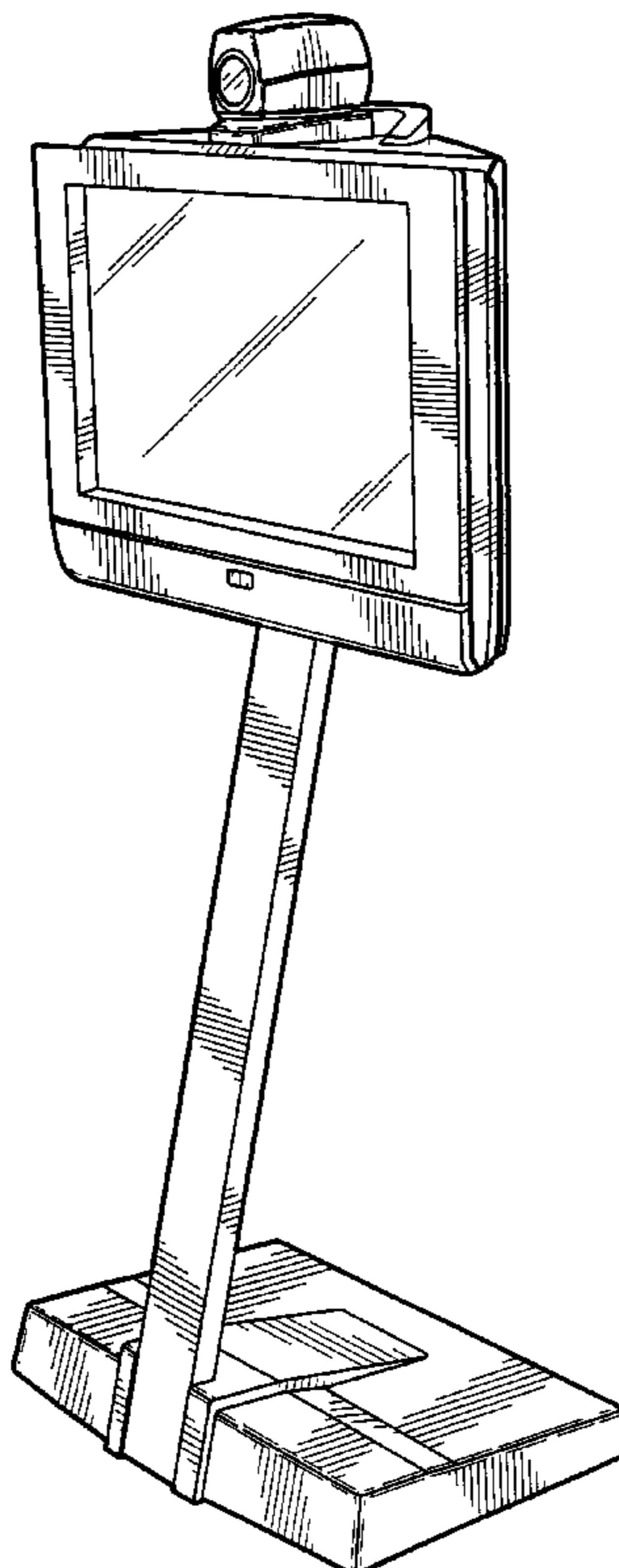
**U.S. PATENT DOCUMENTS**

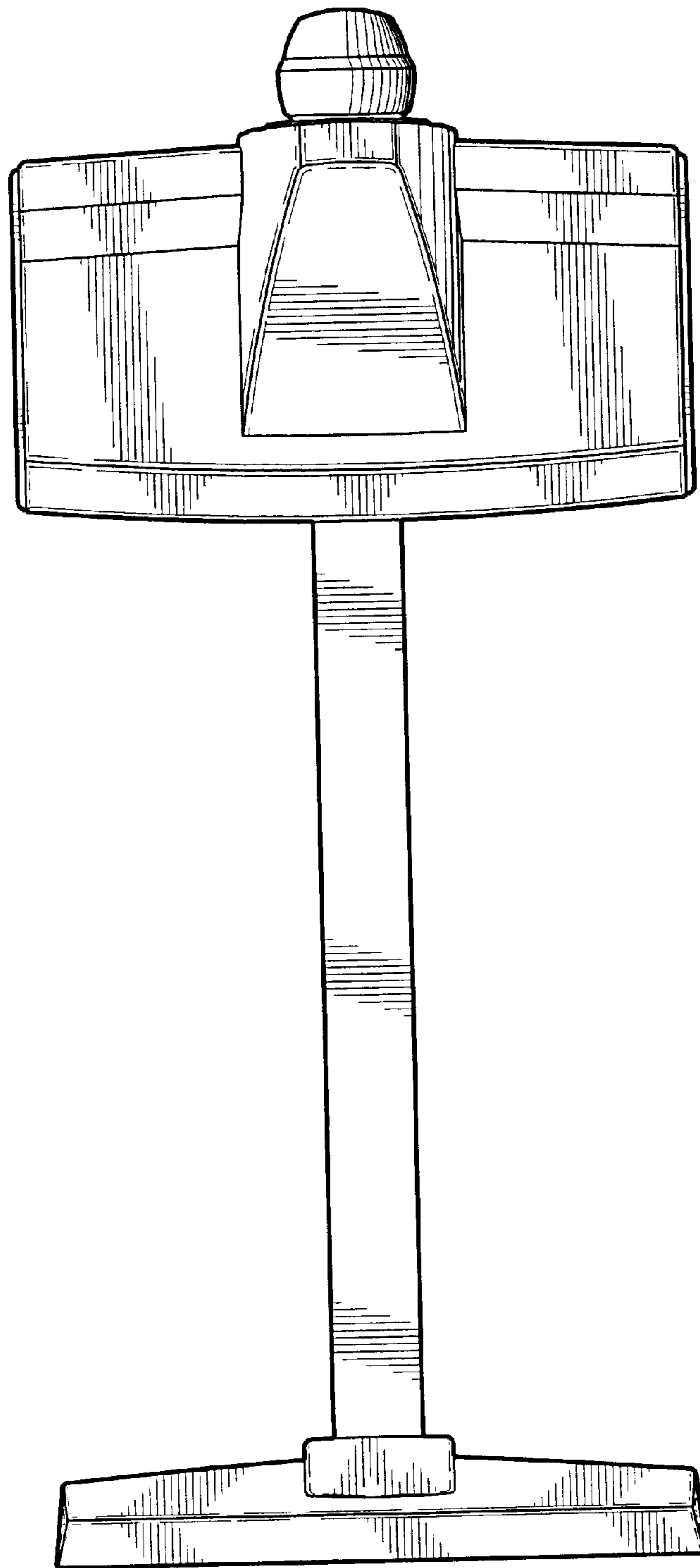
D224,014 S \* 6/1972 Minka ..... D14/399

D304,576 S \* 11/1989 Vissiere ..... D14/305

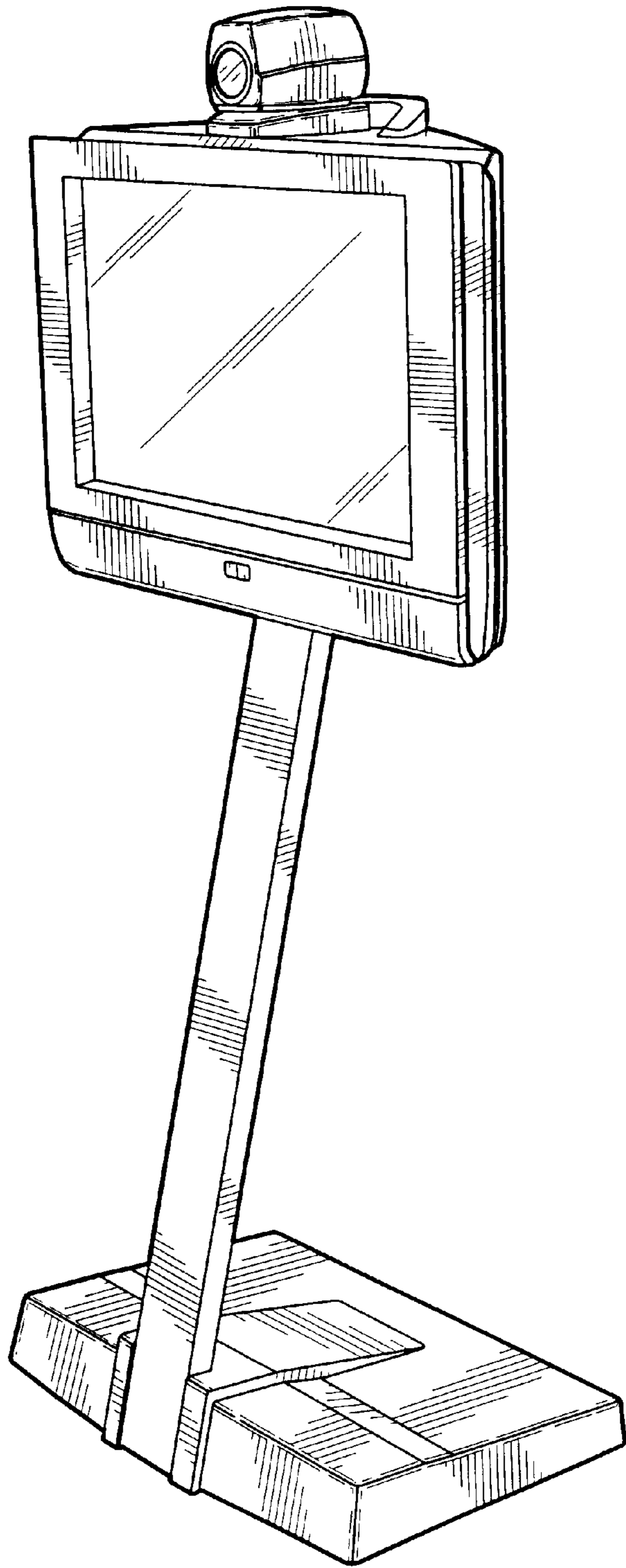
D377,784 S \* 2/1997 Wilson ..... D14/302

**1 Claim, 6 Drawing Sheets**

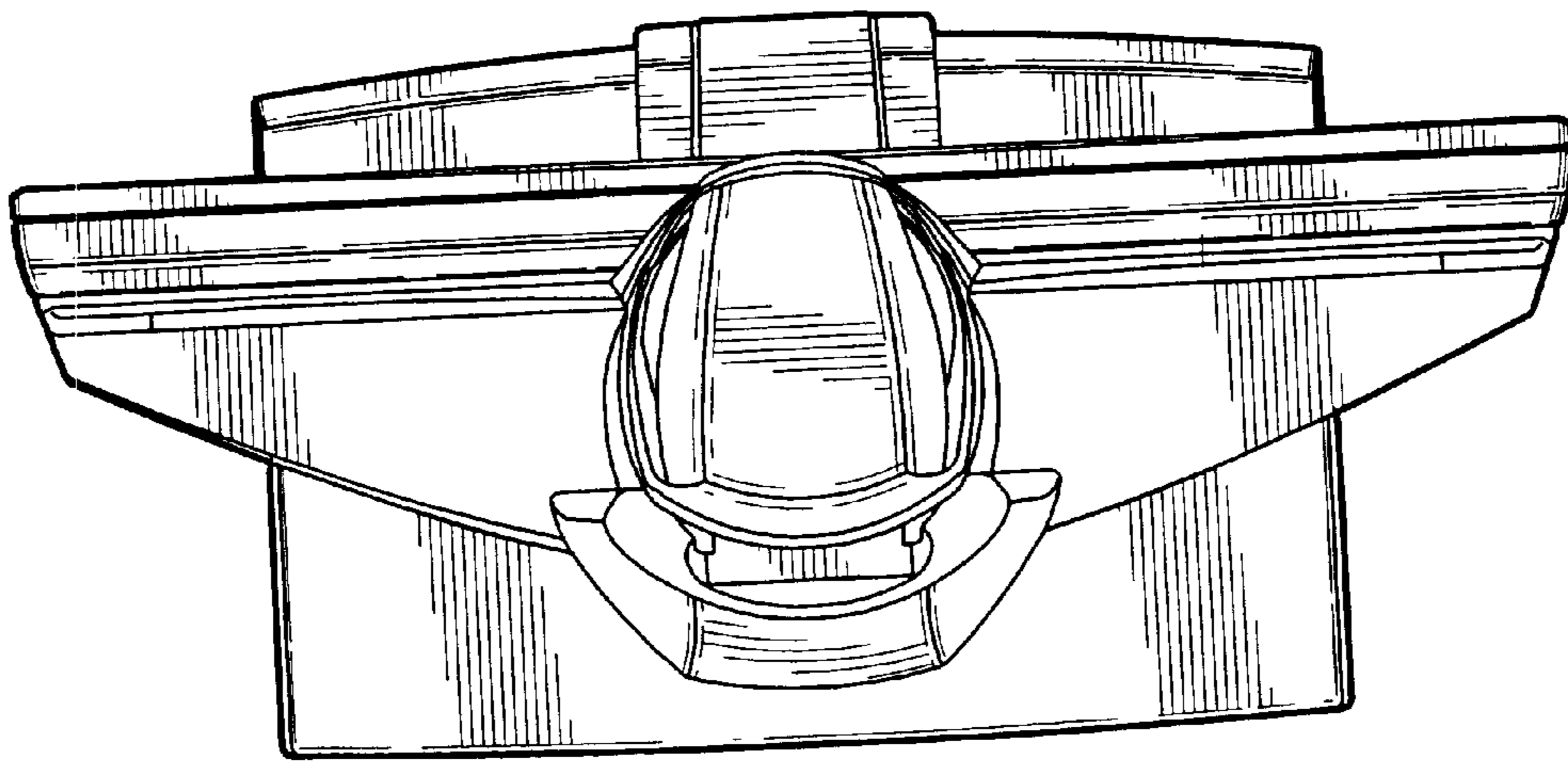




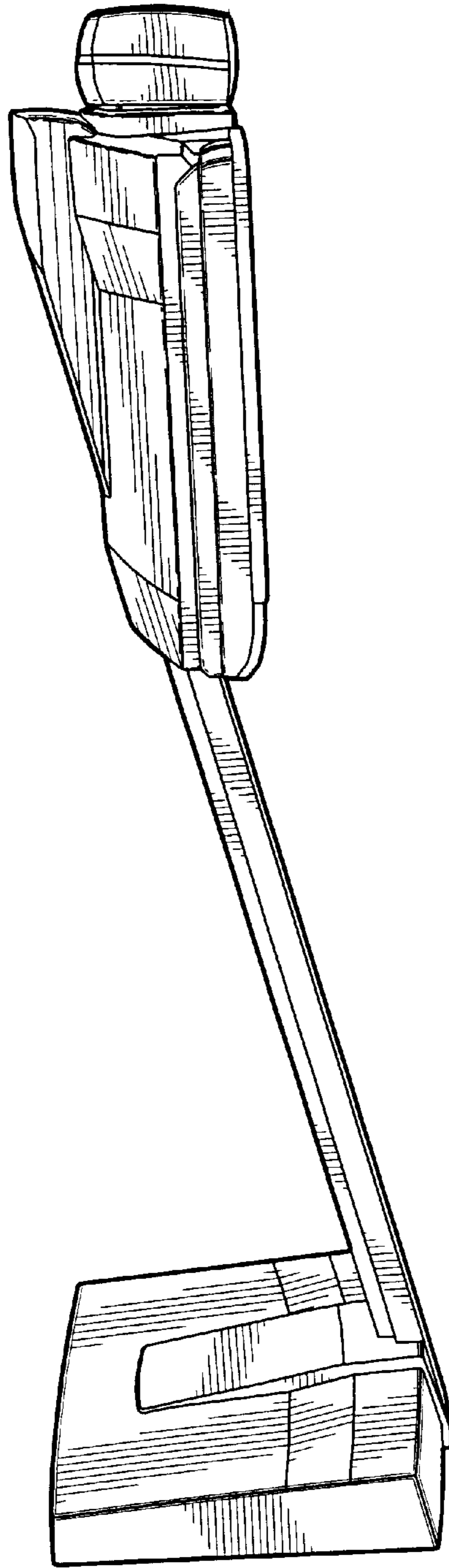
*Fig. 1*



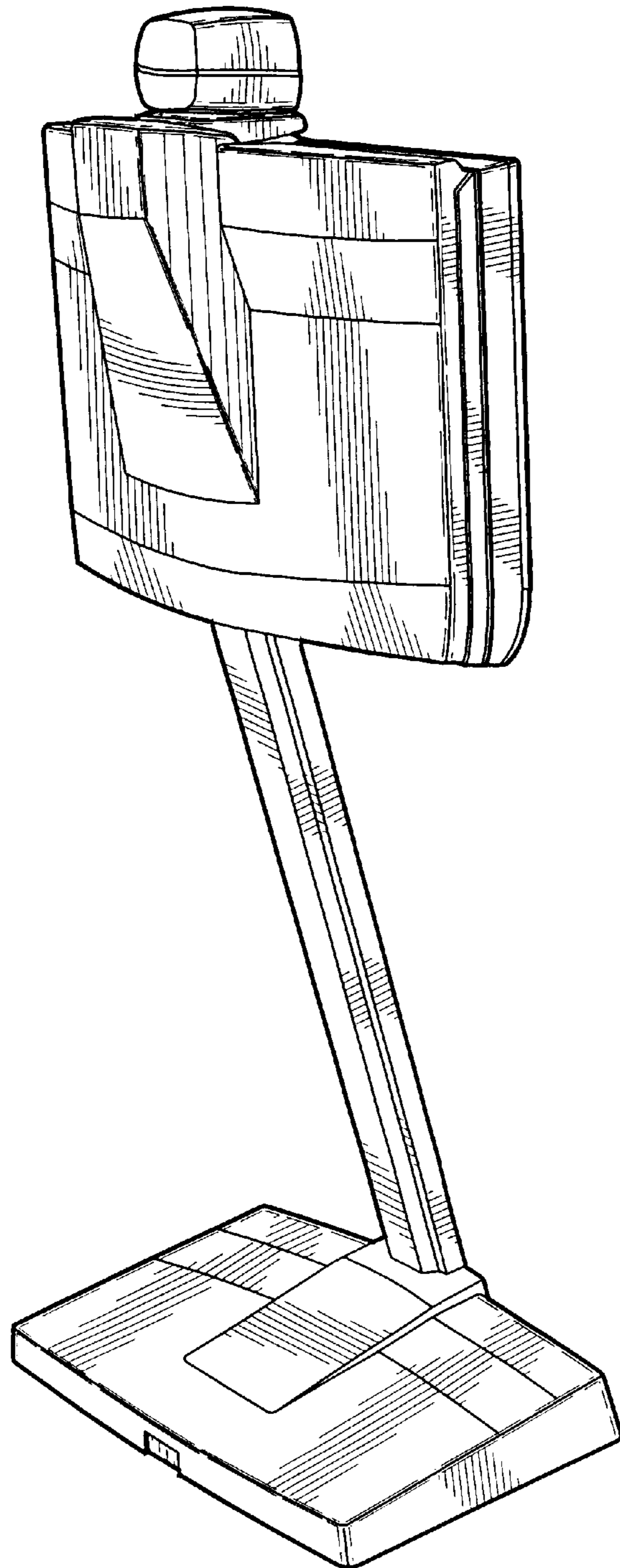
*Fig. 2*



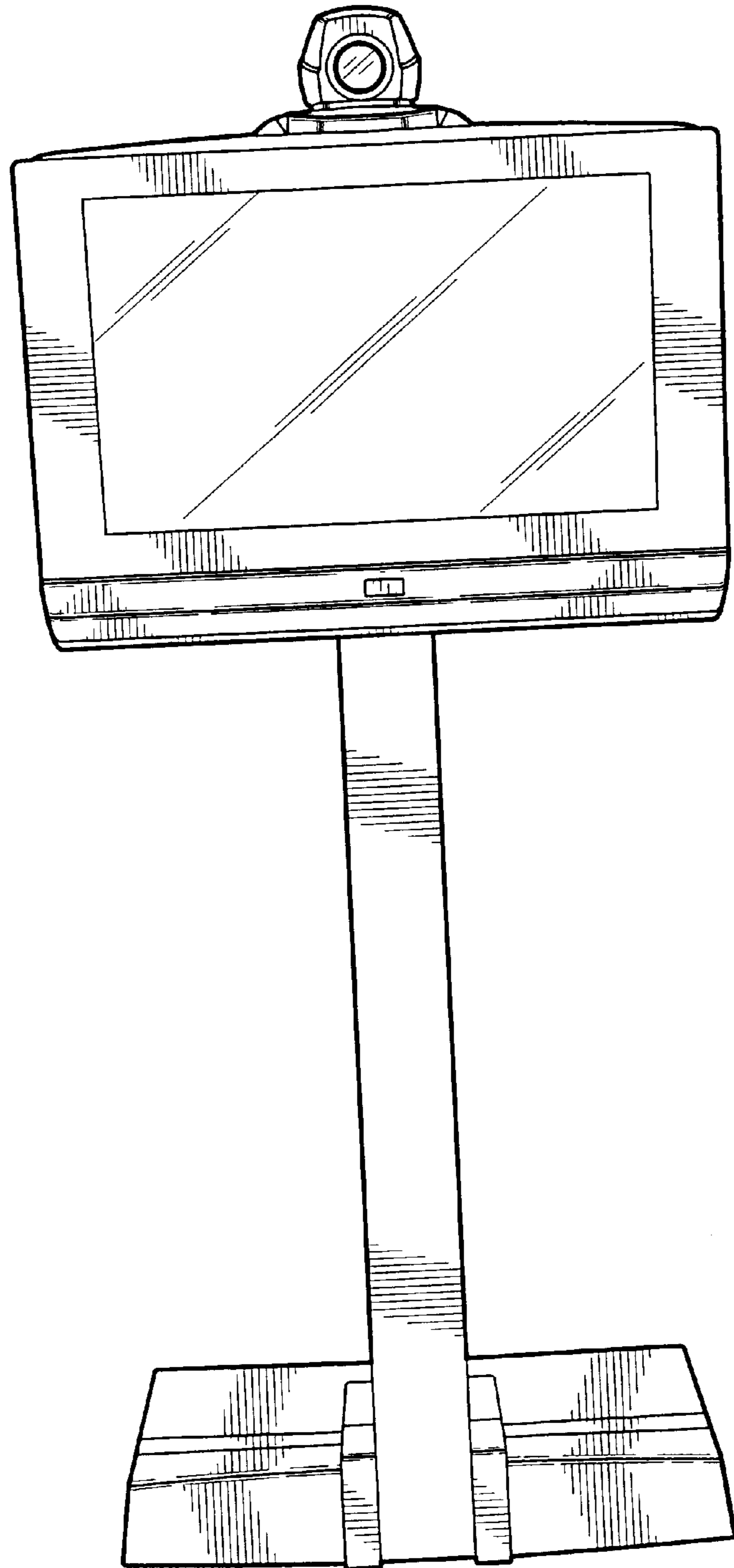
*Fig. 3*



*Fig. 4*



*Fig. 5*



*Fig. 6*