

US00D541262S

(12) **United States Design Patent**
Ma

(10) **Patent No.:** **US D541,262 S**

(45) **Date of Patent:** **** Apr. 24, 2007**

(54) **COMMUNICATION DEVICE**

(75) Inventor: **Jeong J. Ma**, Buffalo Grove, IL (US)

(73) Assignee: **Motorola, Inc.**, Schaumburg, IL (US)

(**) Term: **14 Years**

(21) Appl. No.: **29/244,427**

(22) Filed: **Dec. 9, 2005**

(51) **LOC (8) Cl.** **14-01**

(52) **U.S. Cl.** **D14/223**

(58) **Field of Classification Search** D14/188,
D14/192, 205, 206, 223; 181/128, 129, 130;
381/381, 370; 379/430, 433; D24/174
See application file for complete search history.

(56) **References Cited**

U.S. PATENT DOCUMENTS

D443,871 S	*	6/2001	Hofstede et al.	D14/206
D461,791 S	*	8/2002	Ma	D14/206
D468,728 S	*	1/2003	Rath et al.	D14/223
D478,573 S	*	8/2003	Wrisley et al.	D14/223
D485,549 S	*	1/2004	Ma et al.	D14/223
6,760,458 B1	*	7/2004	Bogeskov-Jensen et al.	381/370

D497,613 S	*	10/2004	Gwee	D14/223
D498,750 S	*	11/2004	Ma	D14/223
D509,823 S	*	9/2005	Han et al.	D14/223

* cited by examiner

Primary Examiner—Paula A. Greene

(74) *Attorney, Agent, or Firm*—David S. Noskowicz

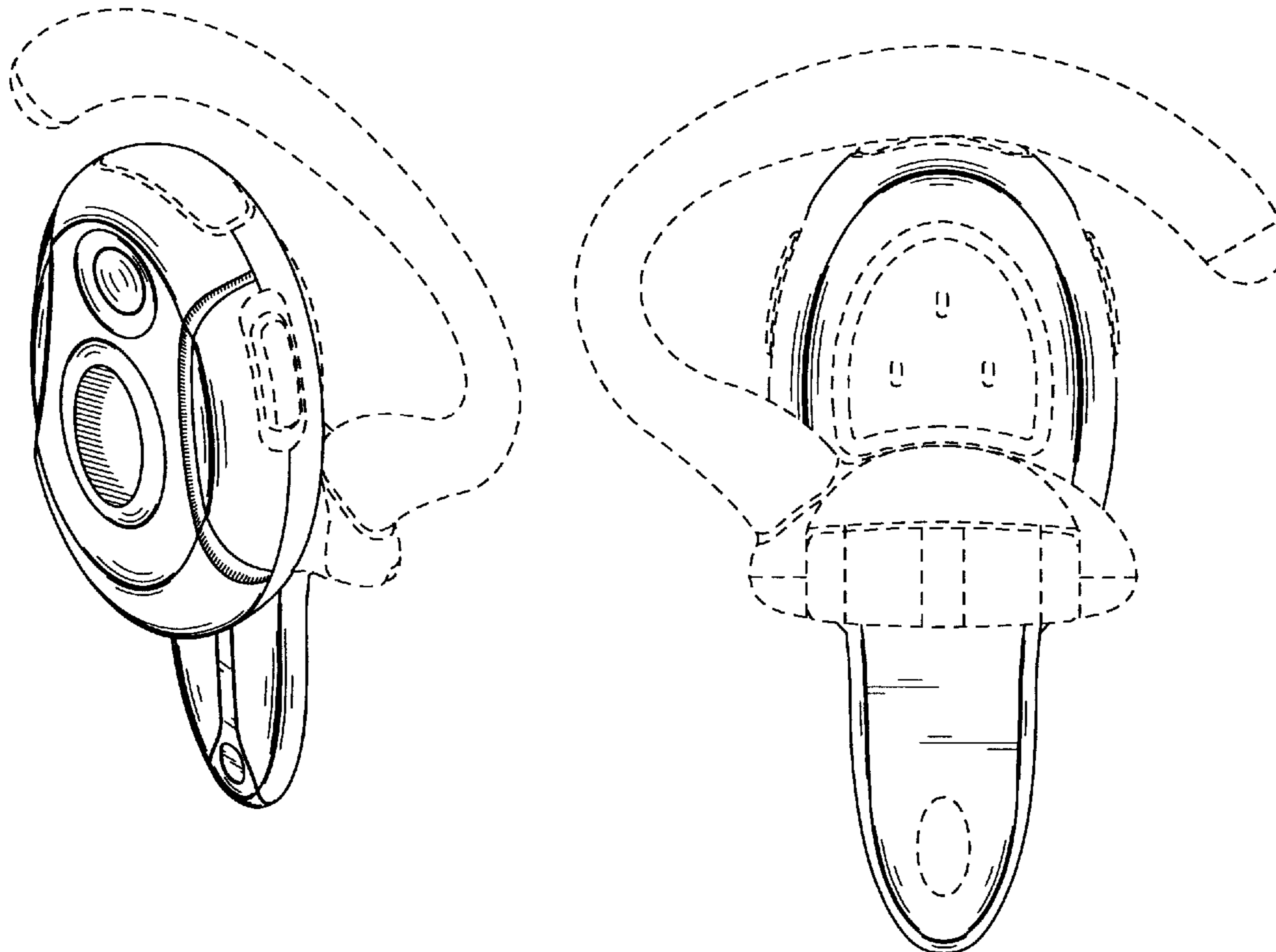
(57) **CLAIM**

The ornamental design for communication device, as shown and described.

DESCRIPTION

FIG. 1 is a front perspective view of a communication device showing my new design;
FIG. 2 is a front elevational view thereof;
FIG. 3 is a rear elevational view thereof;
FIG. 4 is a side elevational view thereof;
FIG. 5 is an opposite side elevational view thereof;
FIG. 6 is a top plan view thereof;
FIG. 7 is a bottom plan view thereof; and,
FIG. 8 is a rear perspective view thereof.
The broken lines are included for the purpose of illustration and form no part of the claimed design.

1 Claim, 5 Drawing Sheets



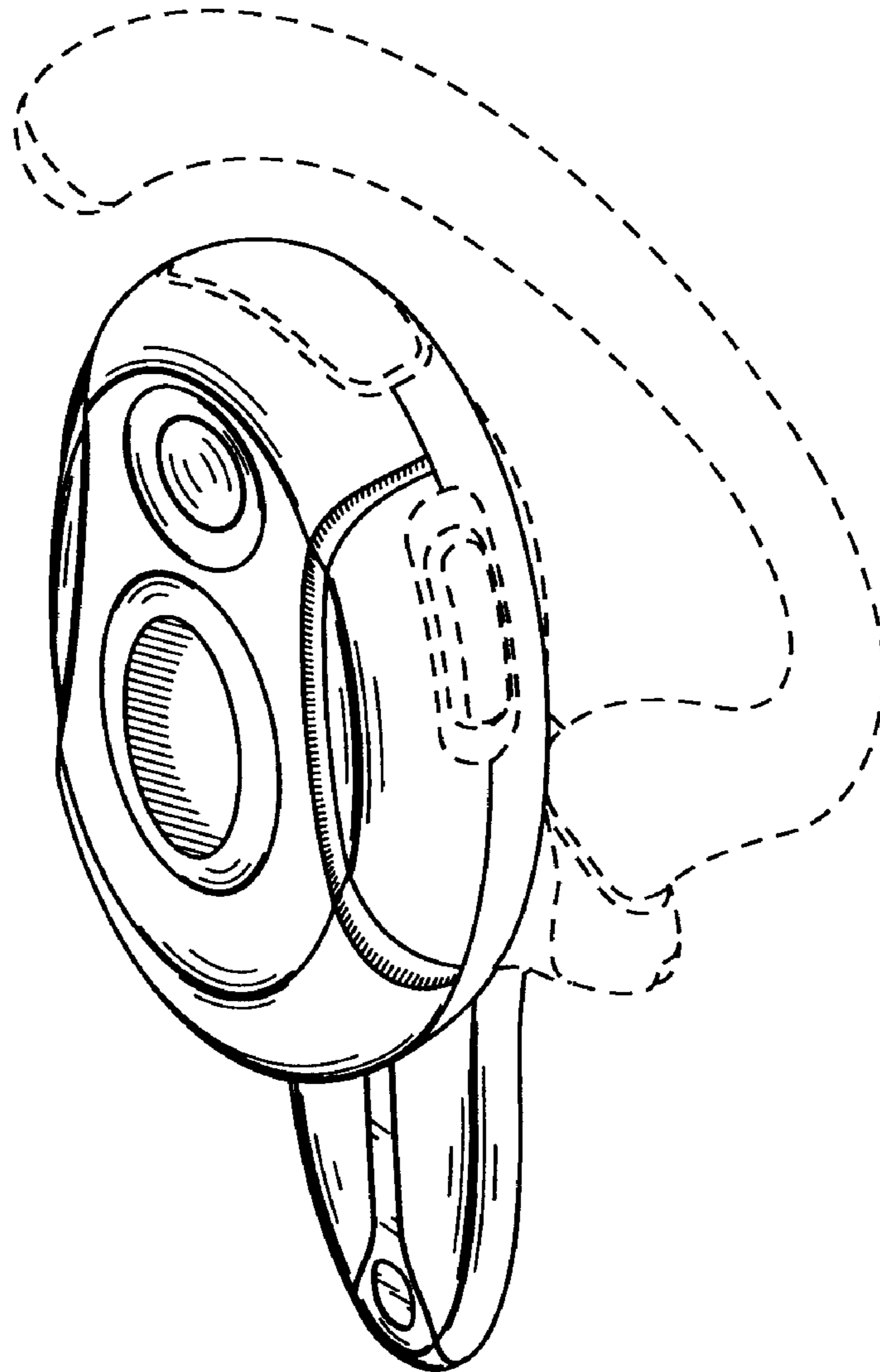


FIG. 1

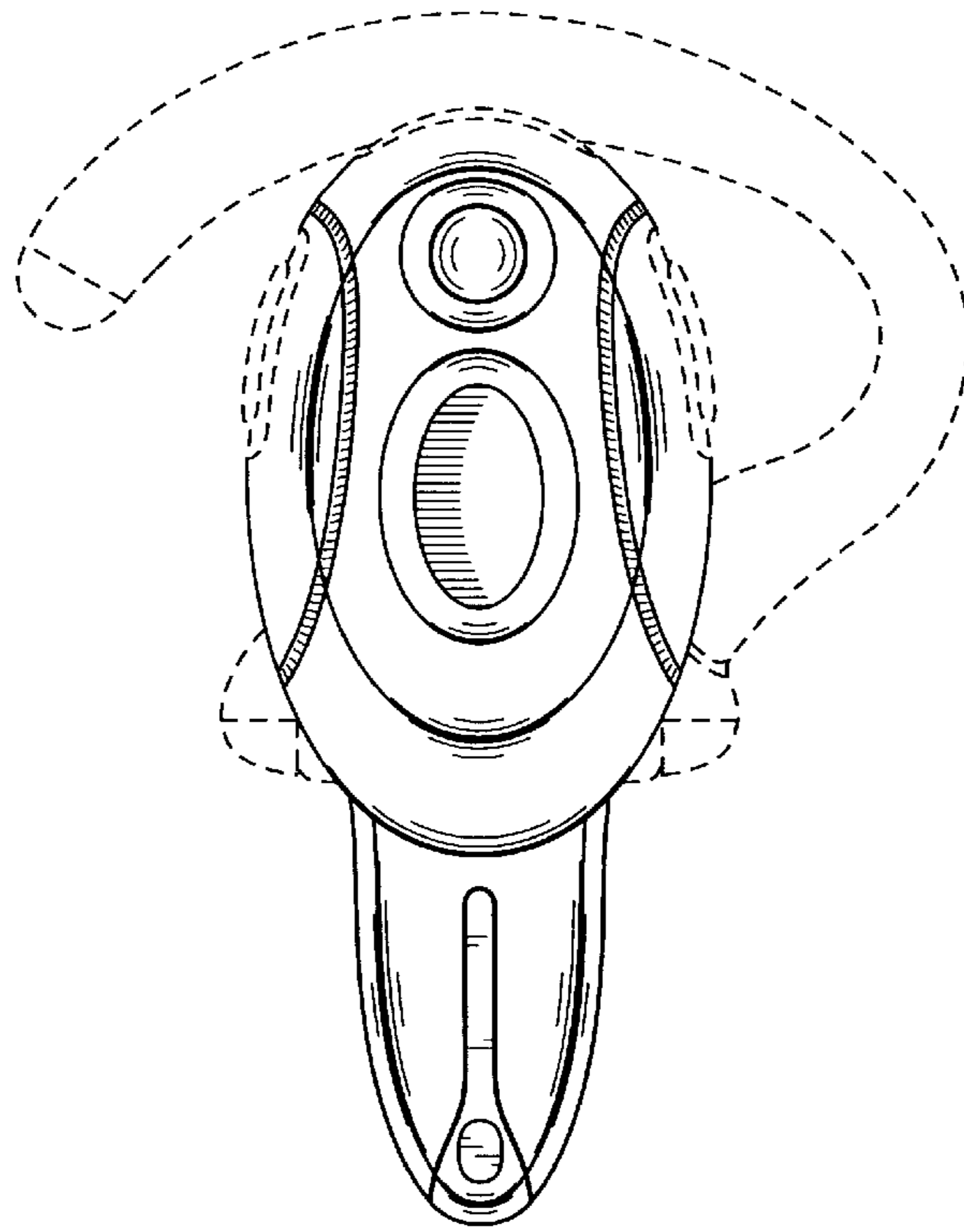


FIG. 2

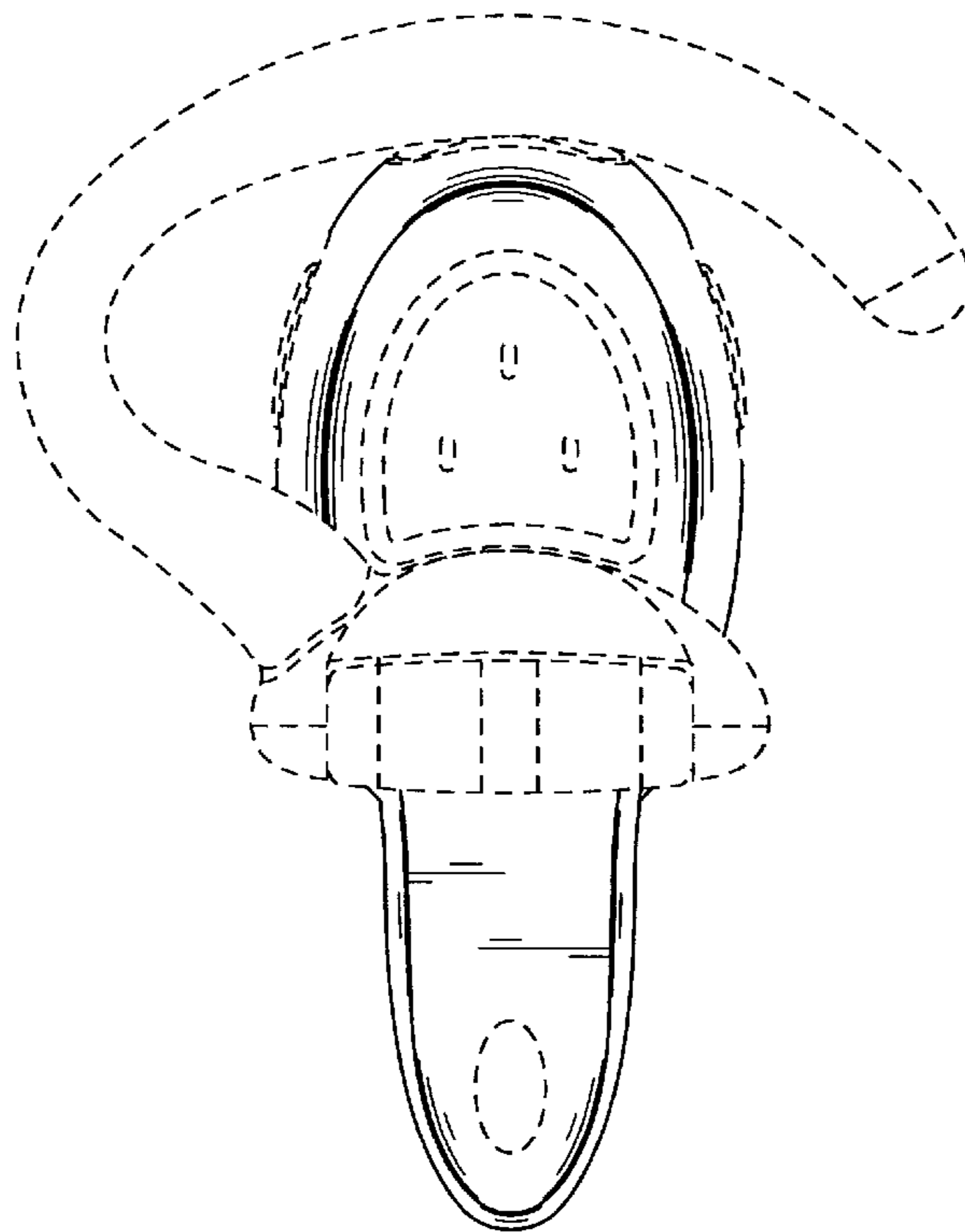


FIG. 3

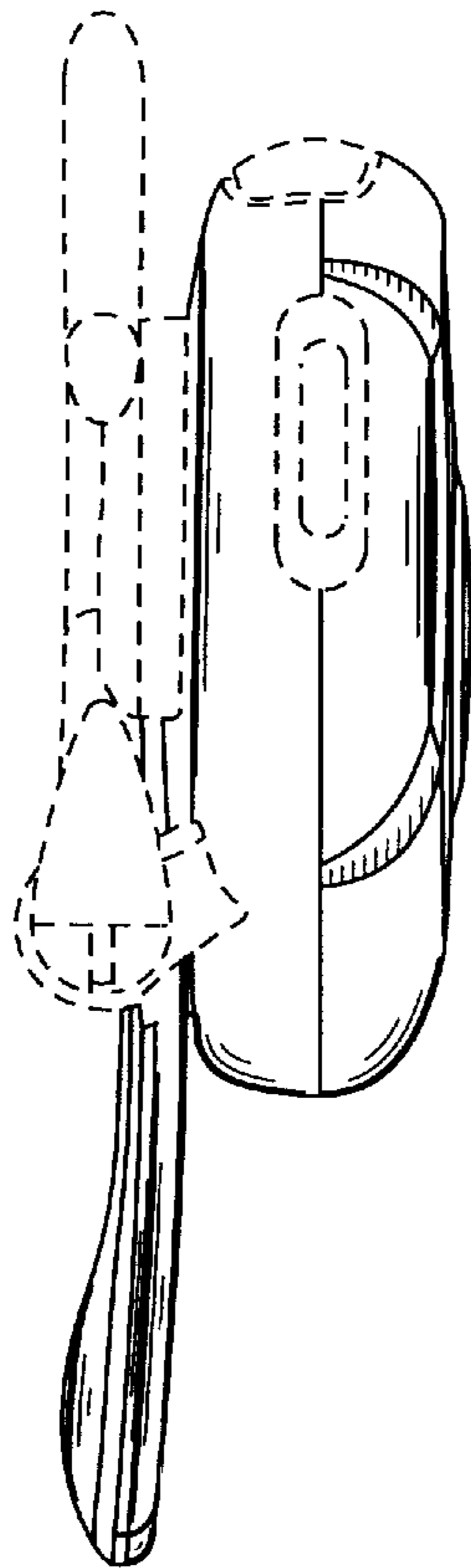


FIG. 4

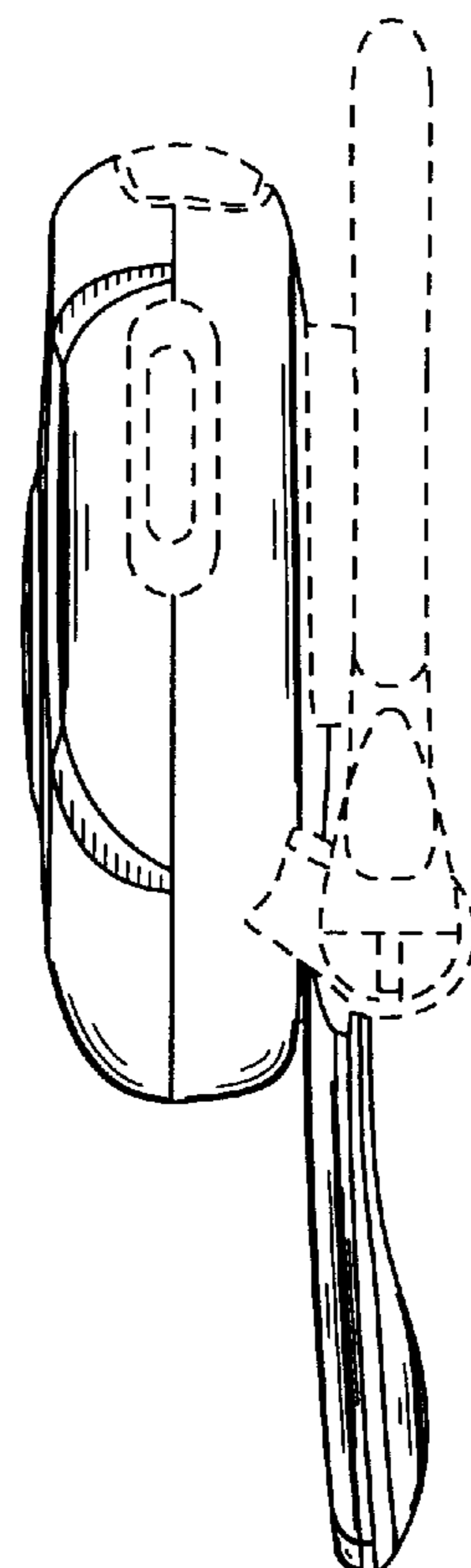


FIG. 5

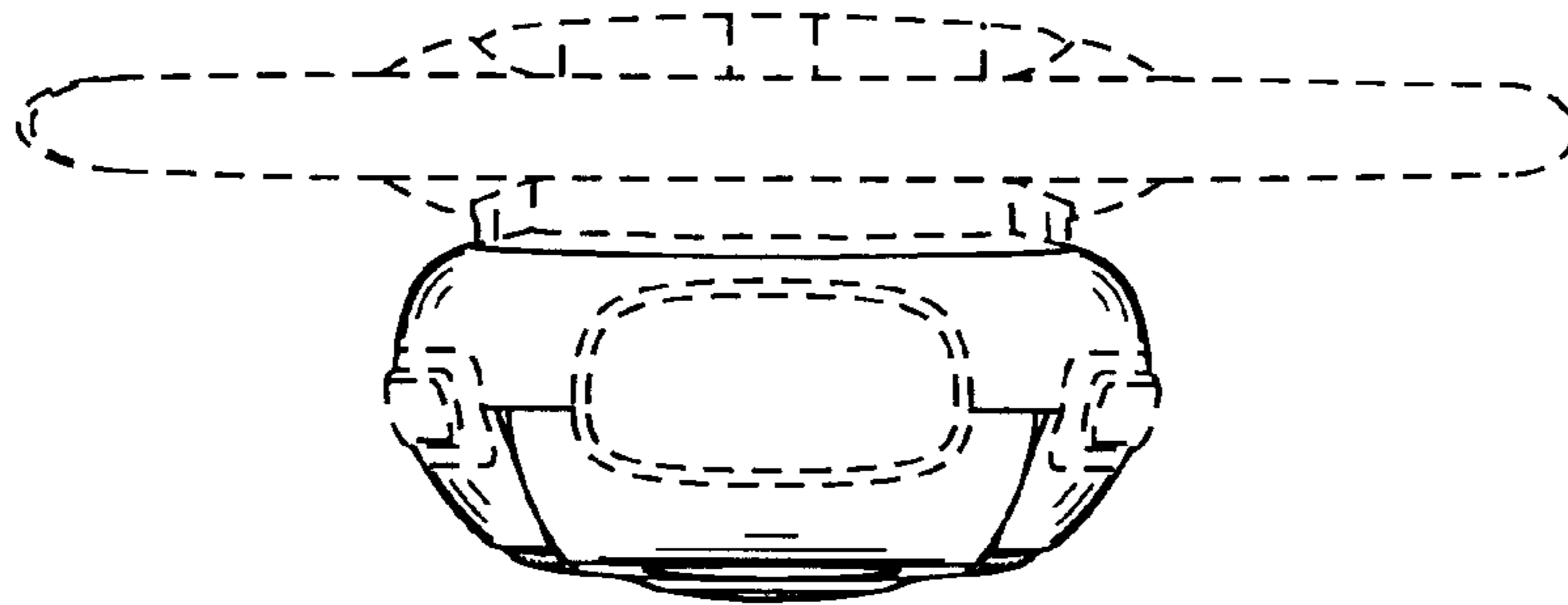


FIG. 6

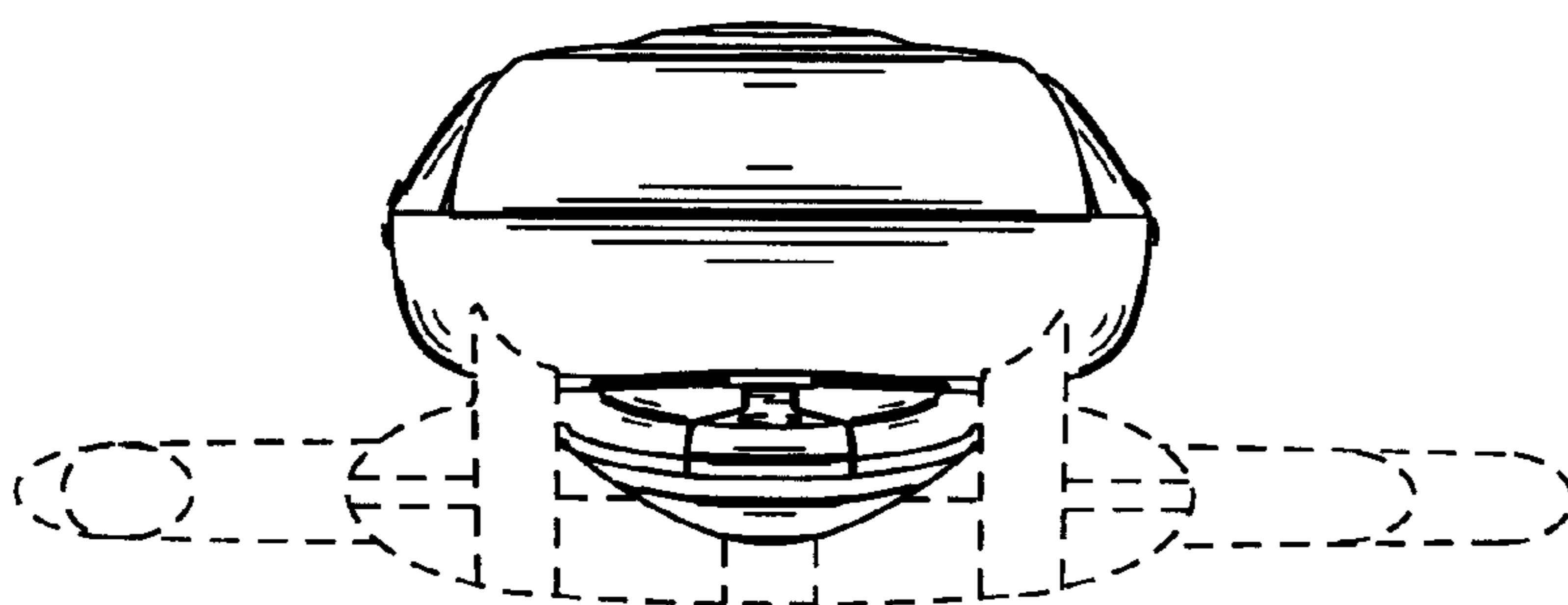


FIG. 7

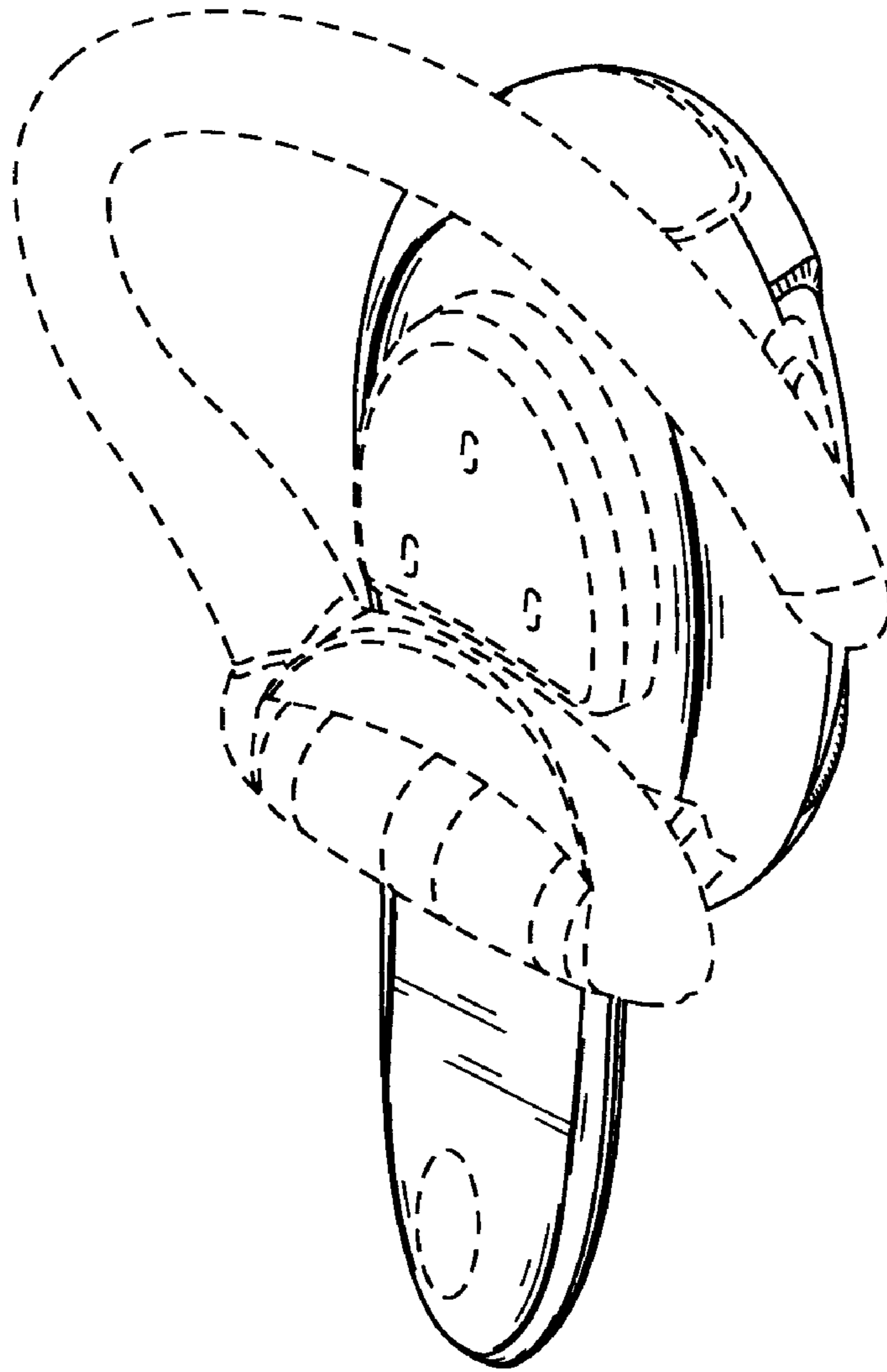


FIG. 8