



US00D541261S

(12) **United States Design Patent**
Ikeda et al.

(10) **Patent No.: US D541,261 S**

(45) **Date of Patent: ** Apr. 24, 2007**

(54) **BODY SHAPE FOR REMOTE CONTROLLER**

(75) Inventors: **John Ikeda**, Seattle, WA (US); **James Y. Koo**, Renton, WA (US)

(73) Assignee: **Microsoft Corporation**, Redmond, WA (US)

(**) Term: **14 Years**

(21) Appl. No.: **29/229,699**

(22) Filed: **May 11, 2005**

(51) **LOC (8) Cl.** **14-03**

(52) **U.S. Cl.** **D14/218**

(58) **Field of Classification Search** D14/174,
D14/217, 218, 137-139, 151, 191-193, 299,
D14/167, 168; D13/168, 162-164; D21/512-517,
D21/566; D10/104, 106; 455/352-355, 151.1-151.4,
455/128, 347, 90.3; 348/114, 734
See application file for complete search history.

(56) **References Cited**

U.S. PATENT DOCUMENTS

D352,717 S	*	11/1994	Usami et al.	D14/218
D394,659 S	*	5/1998	Biasotti et al.	D14/218
D401,587 S	*	11/1998	Rudolph	D14/218
D432,525 S	*	10/2000	Beecroft	D14/218
D437,310 S	*	2/2001	Gioscia	D14/218
D462,339 S	*	9/2002	Allen et al.	D14/218
D508,482 S	*	8/2005	Pardo	D14/218

OTHER PUBLICATIONS

Photo of Xbox DVD Movie Playback Kit by Microsoft Corporation, date prior to the filing of the present application, printed on Feb. 8, 2006.

* cited by examiner

Primary Examiner—Louis S. Zarfes

Assistant Examiner—John Windmuller

(74) *Attorney, Agent, or Firm*—Banner & Witcoff, Ltd.

(57) **CLAIM**

The ornamental design for a body shape for remote controller, as shown and described.

DESCRIPTION

FIG. 1 is a front perspective view of a body shape for remote controller showing our new design;
FIG. 2 is a front elevational view thereof;
FIG. 3 is a rear elevational view thereof;
FIG. 4 is a right side elevational view thereof;
FIG. 5 is a left side elevational view thereof;
FIG. 6 is a top plan view thereof; and,
FIG. 7 is a bottom plan view thereof.

The broken line showing of the keys, their surrounding wells, and the oval regions at the top and the unshaded regions therein is for illustrative purposes only and forms no part of the claimed design.

1 Claim, 4 Drawing Sheets

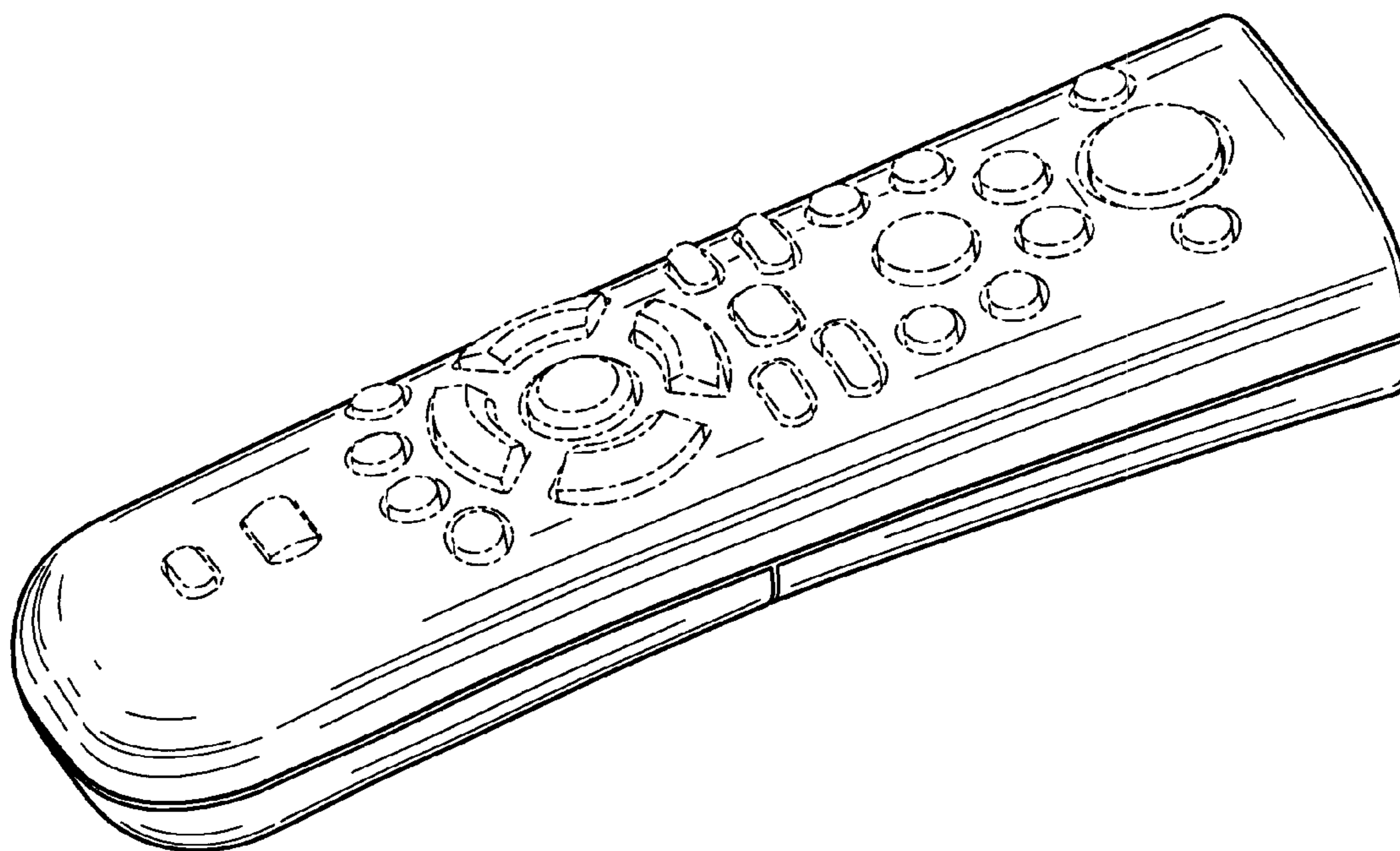


FIG. 1

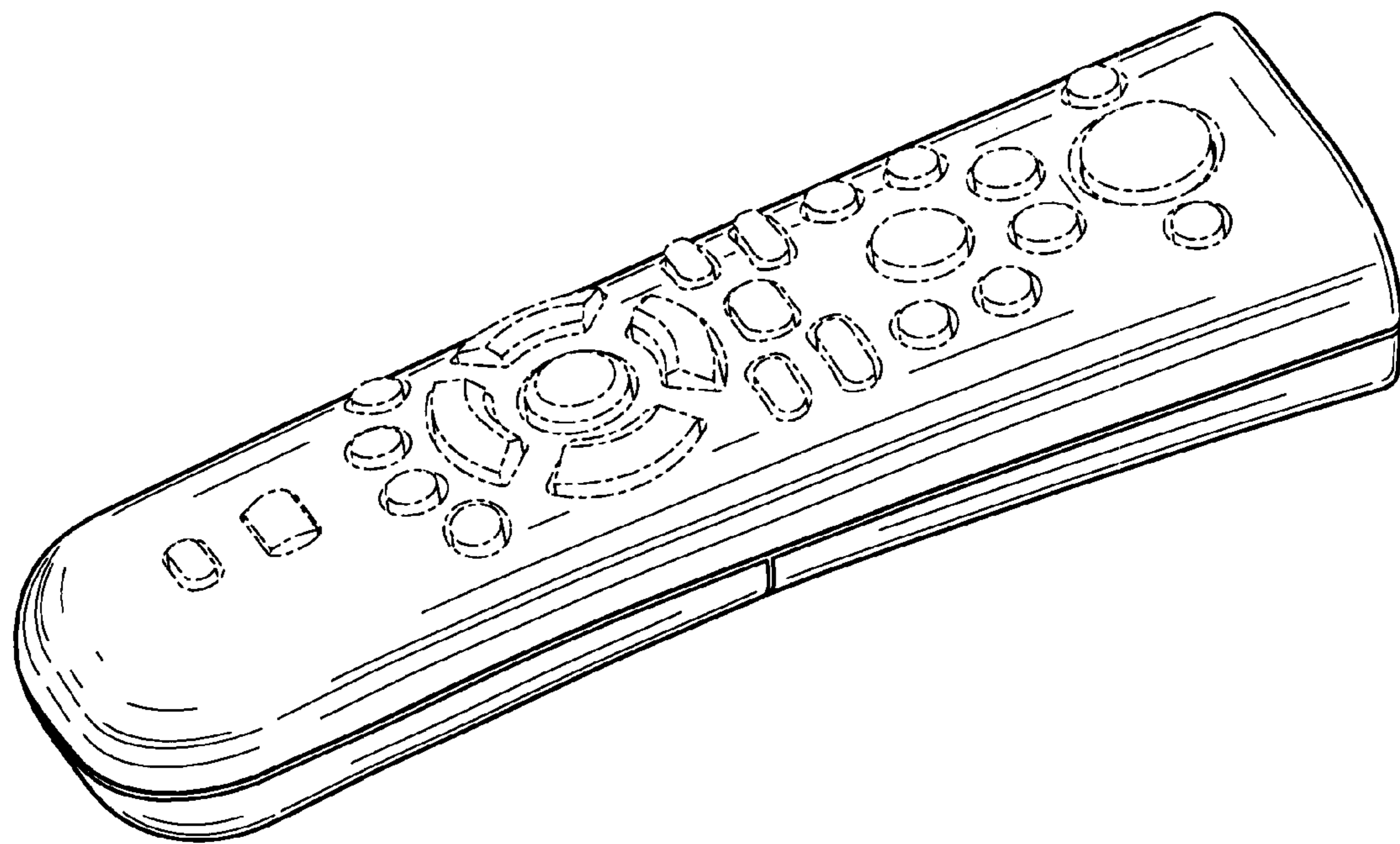


FIG. 2

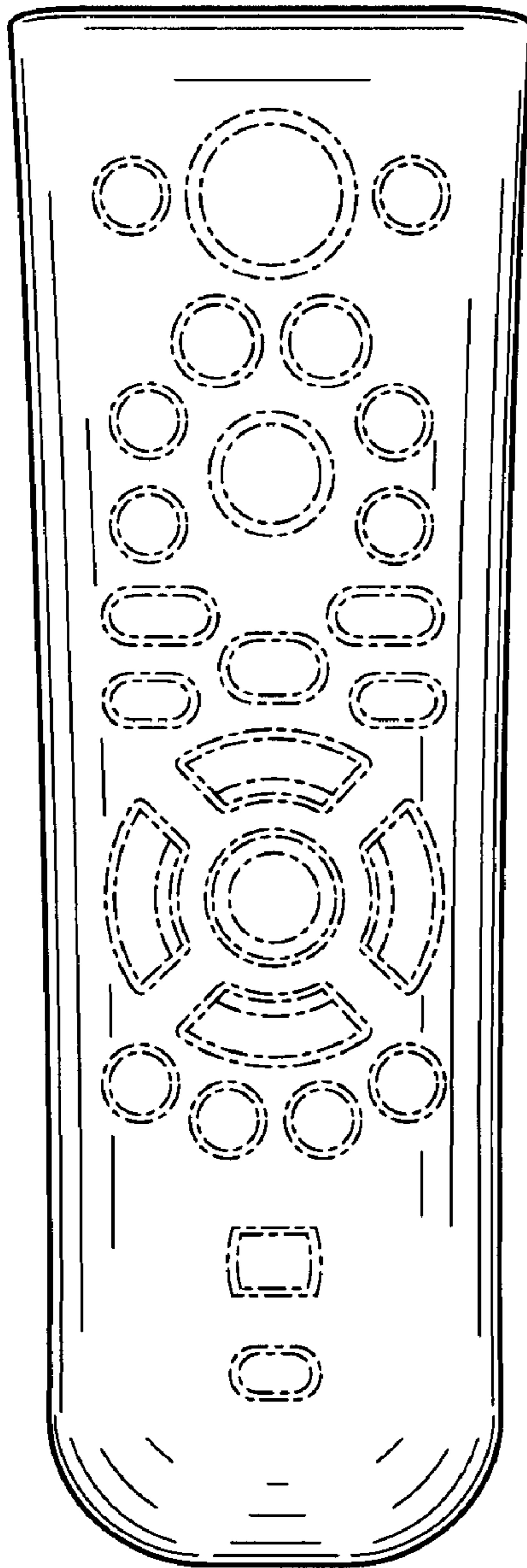


FIG. 3

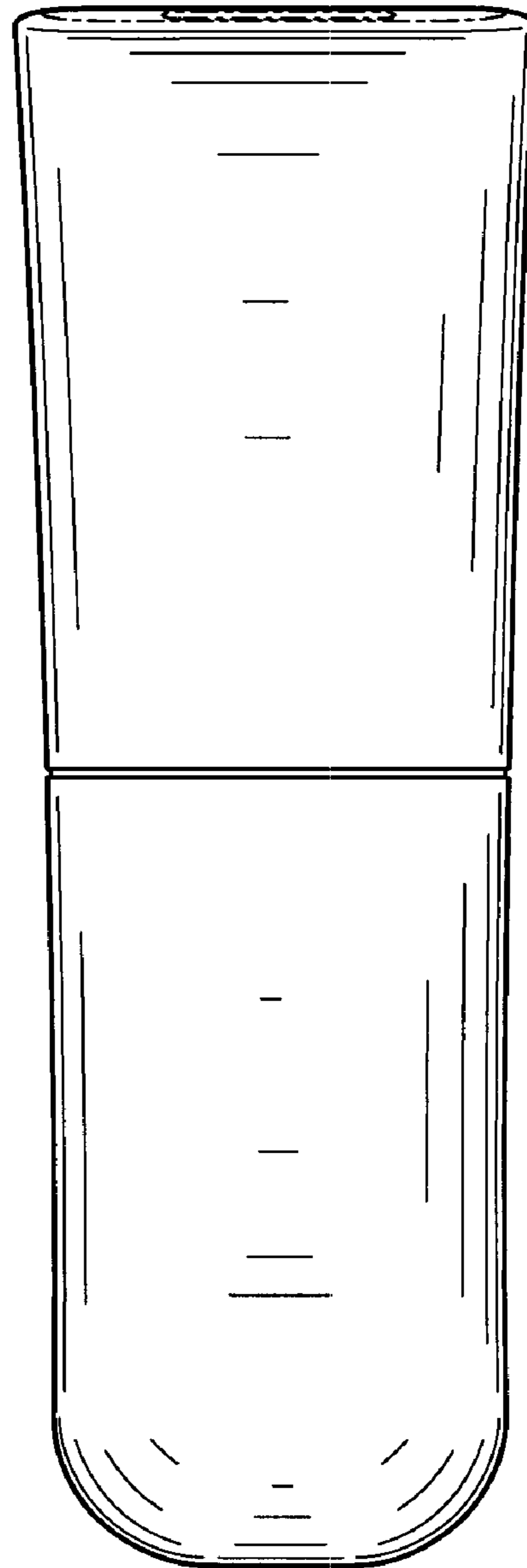


FIG. 4

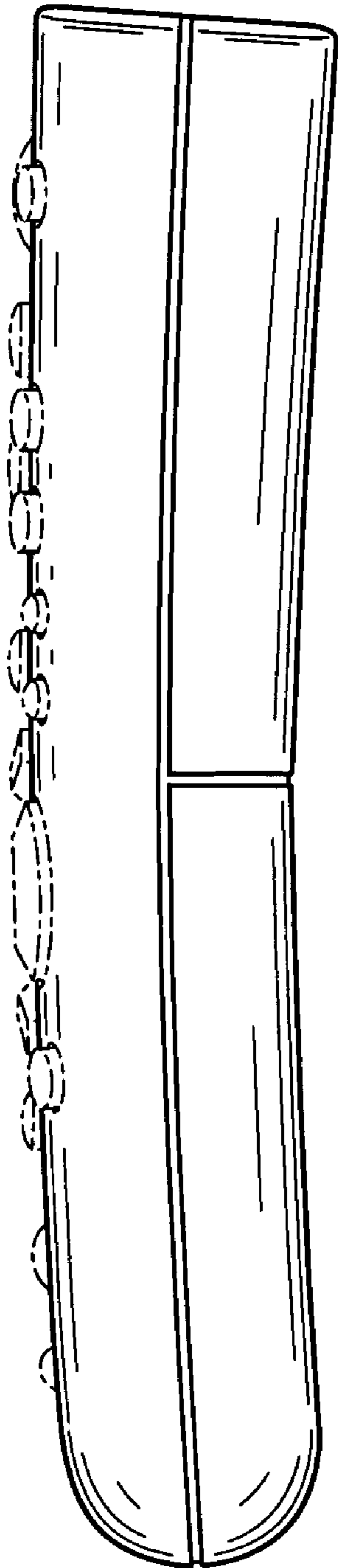


FIG. 5

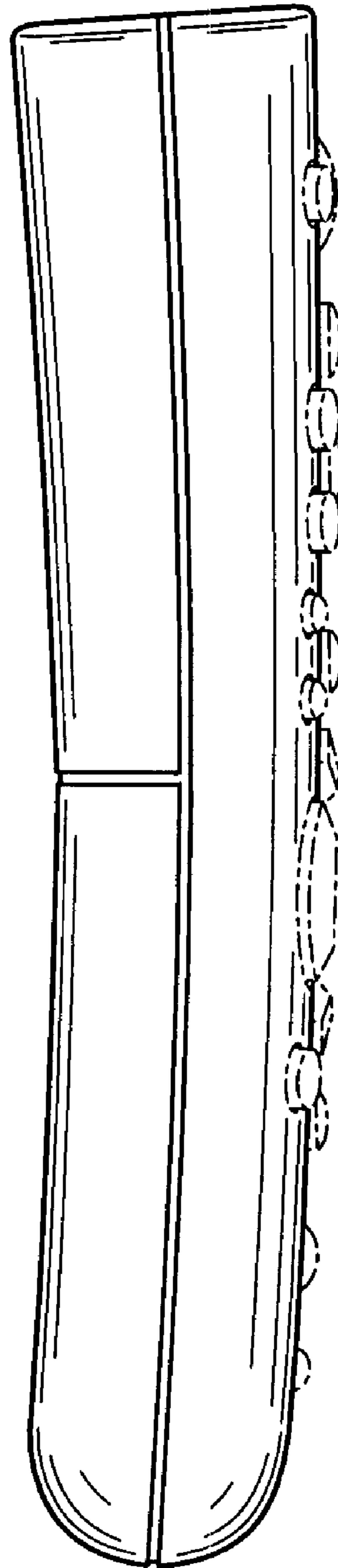


FIG. 6

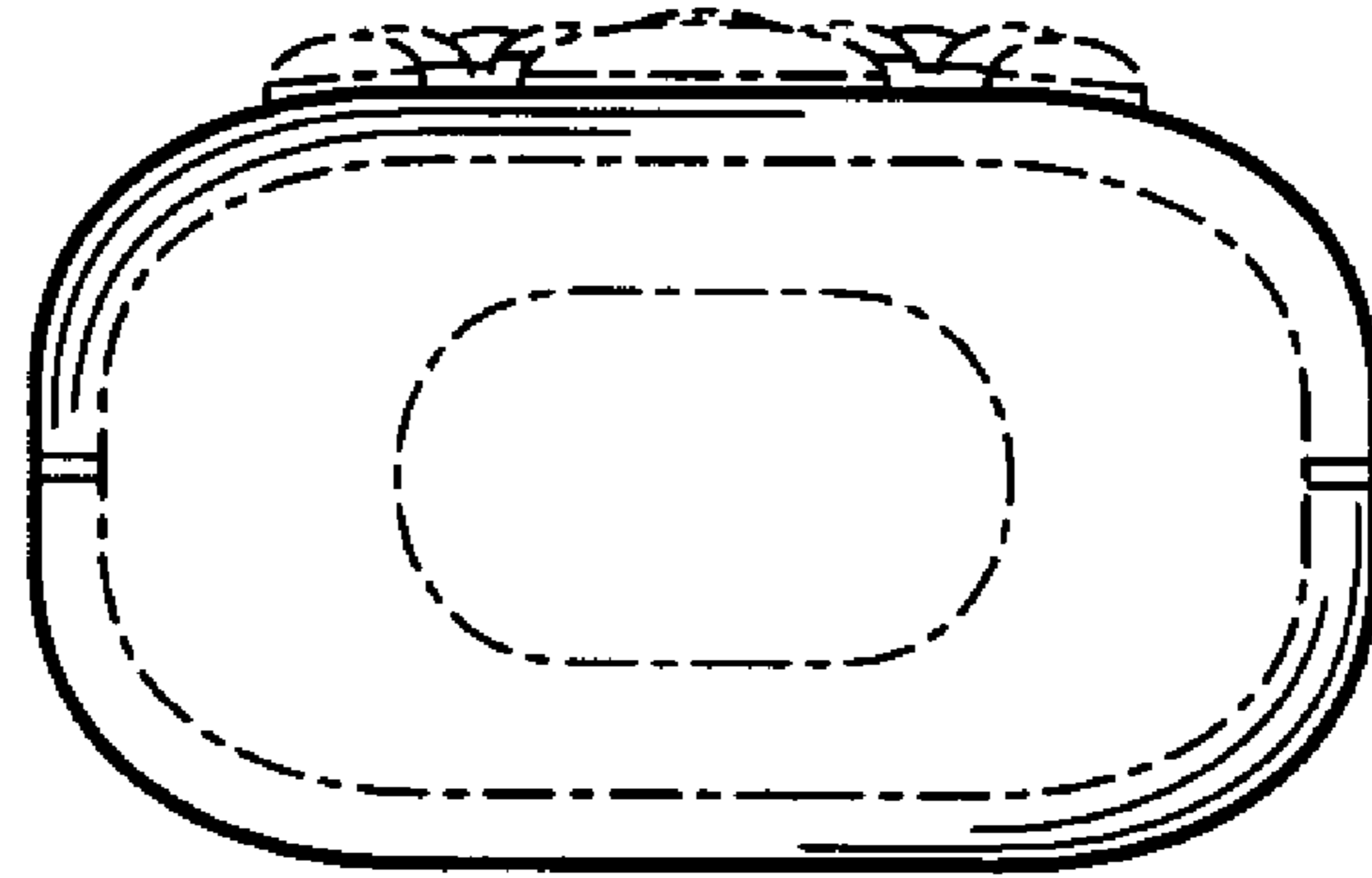


FIG. 7

