



US00D541260S

(12) **United States Design Patent**
Christianson

(10) **Patent No.:** **US D541,260 S**

(45) **Date of Patent:** **** Apr. 24, 2007**

(54) **MEDIA DEVICE**

(75) Inventor: **Tristan M. Christianson**, San Francisco, CA (US)

(73) Assignee: **Sharper Image Corporation**, San Francisco, CA (US)

(**) Term: **14 Years**

(21) Appl. No.: **29/238,969**

(22) Filed: **Sep. 22, 2005**

(51) **LOC (8) Cl.** **14-01**

(52) **U.S. Cl.** **D14/215; D14/496; D14/216**

(58) **Field of Classification Search** D14/204,
D14/207, 209–216, 168, 496; 181/143–144,
181/147–148, 150, 157, 198–199, 151, 153;
381/300–302, 306, 333, 345, 361–364, 386–388,
381/332, 336

See application file for complete search history.

(56) **References Cited**

U.S. PATENT DOCUMENTS

5,812,685 A * 9/1998 Fujita et al. 381/332
D426,230 S * 6/2000 De Iuliis et al. D14/216

D466,887 S * 12/2002 Lewis D14/216
D467,238 S * 12/2002 Hlas et al. D14/216
D467,574 S * 12/2002 Suzuki et al. D14/216
D487,737 S * 3/2004 Lewis D14/215

* cited by examiner

Primary Examiner—Nanda Bondade

(74) *Attorney, Agent, or Firm*—Bell, Boyd & Lloyd LLP

(57) **CLAIM**

I claim the ornamental design for a media device, as shown and described herein.

DESCRIPTION

FIG. 1 is a perspective view from the front, top, and right side of the present media device.

FIG. 2 is a front view thereof;

FIG. 3 is a rear view of thereof;

FIG. 4 is a top view of thereof;

FIG. 5 is a bottom view of thereof; and,

FIG. 6 is a right side view of thereof, wherein the left side view is a mirror image of this view.

The broken line showing on the drawing disclosure is for illustrative purposes only and forms no part of the claimed design.

1 Claim, 4 Drawing Sheets

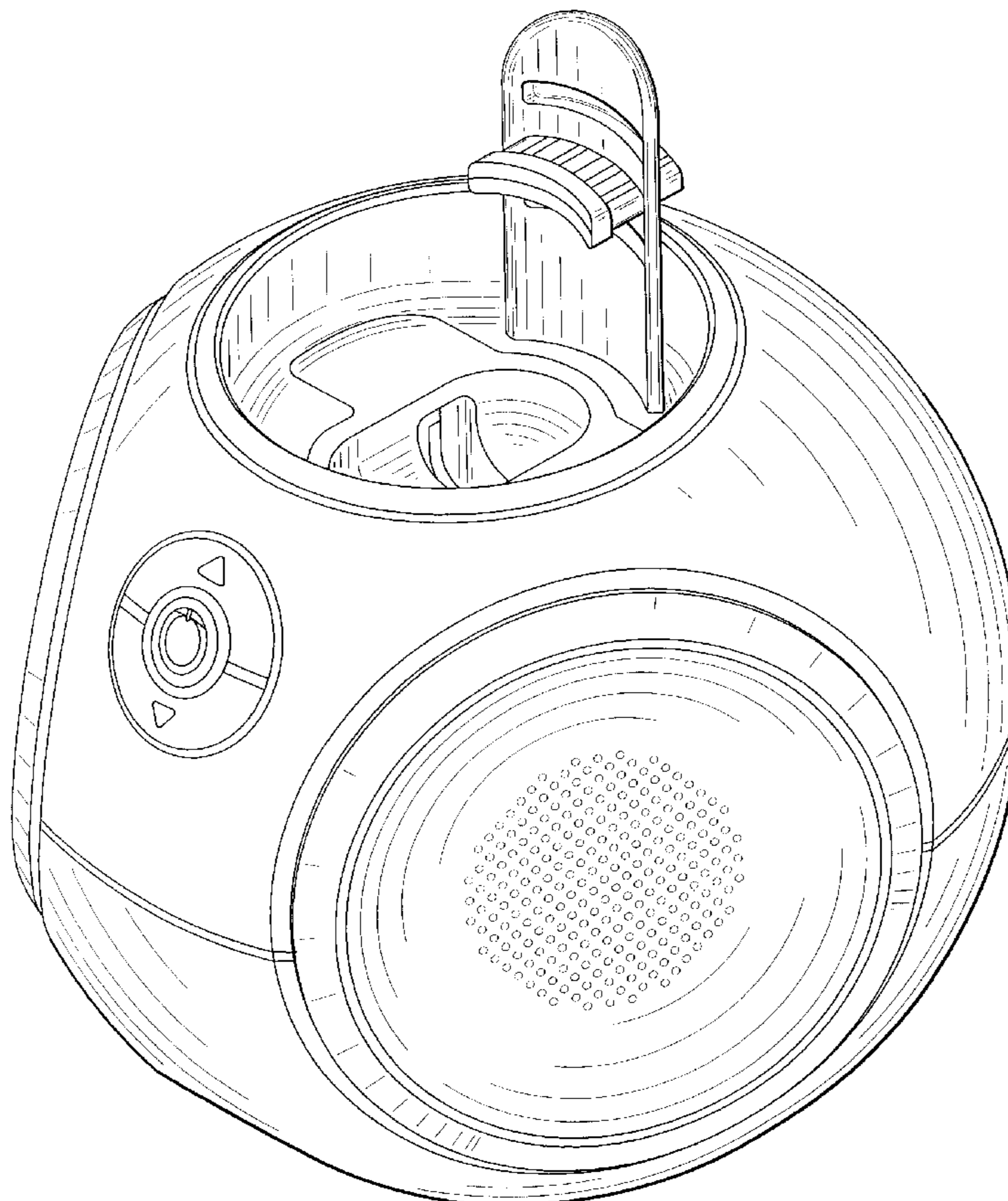


FIG.1

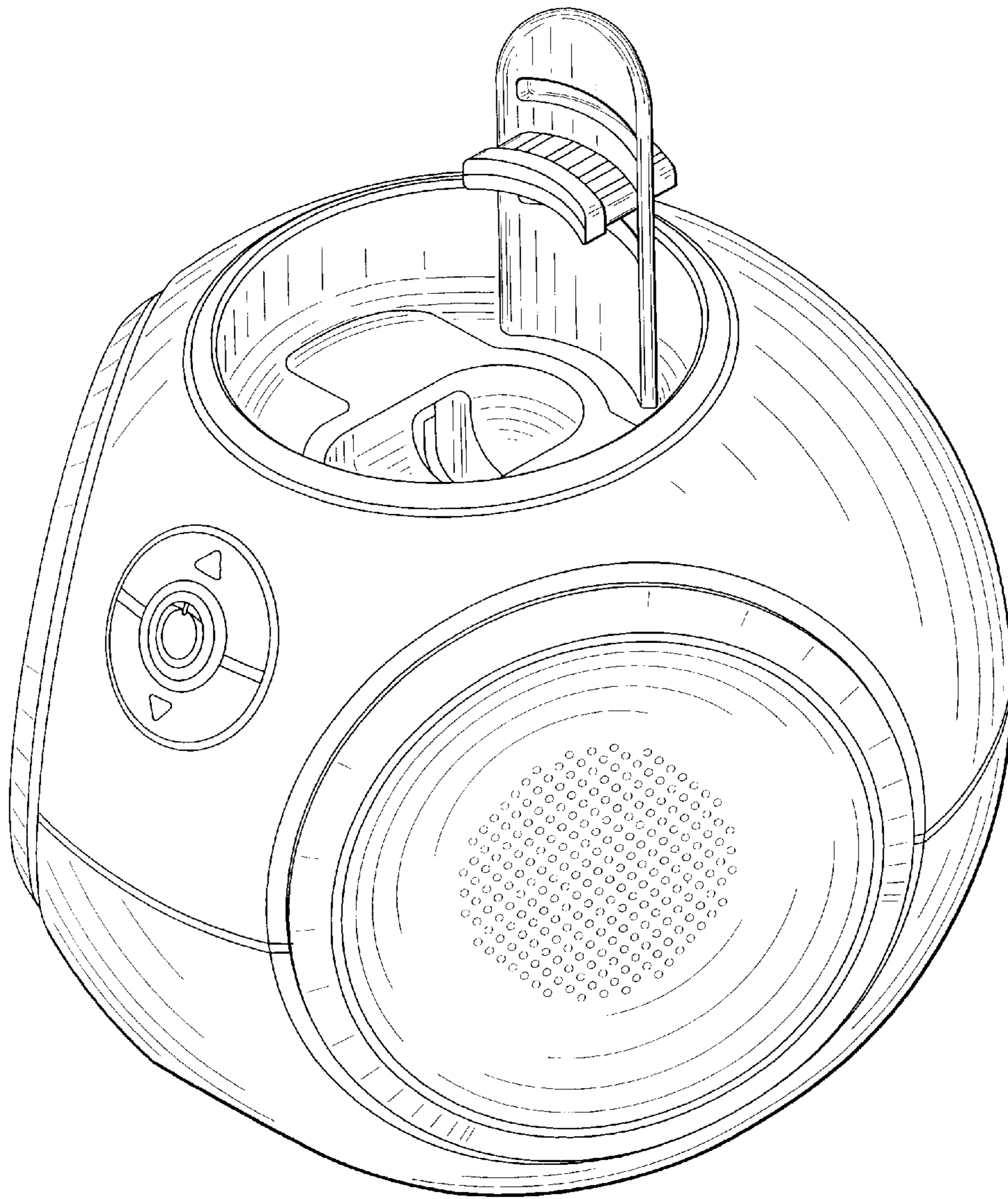


FIG. 2

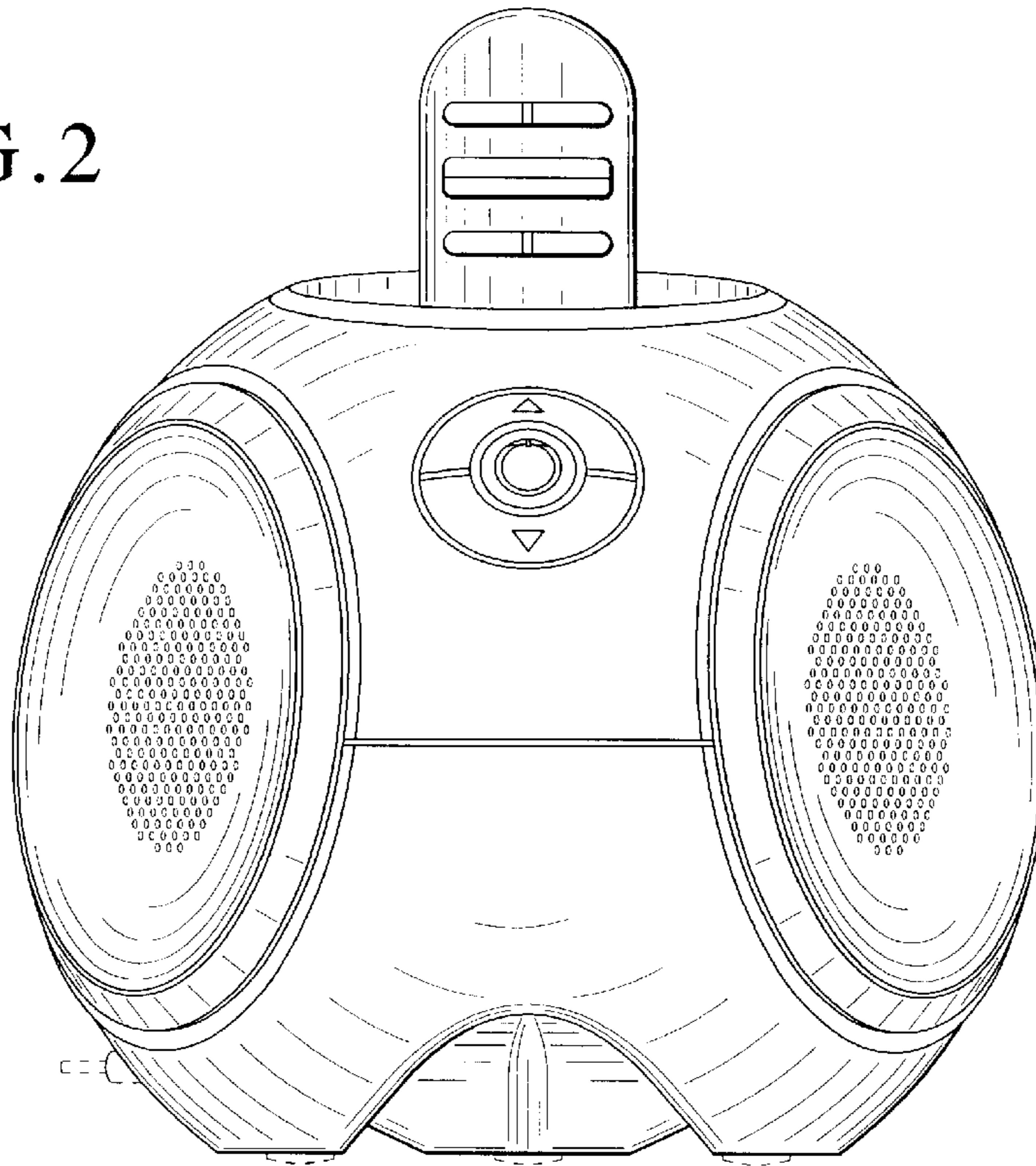


FIG. 3

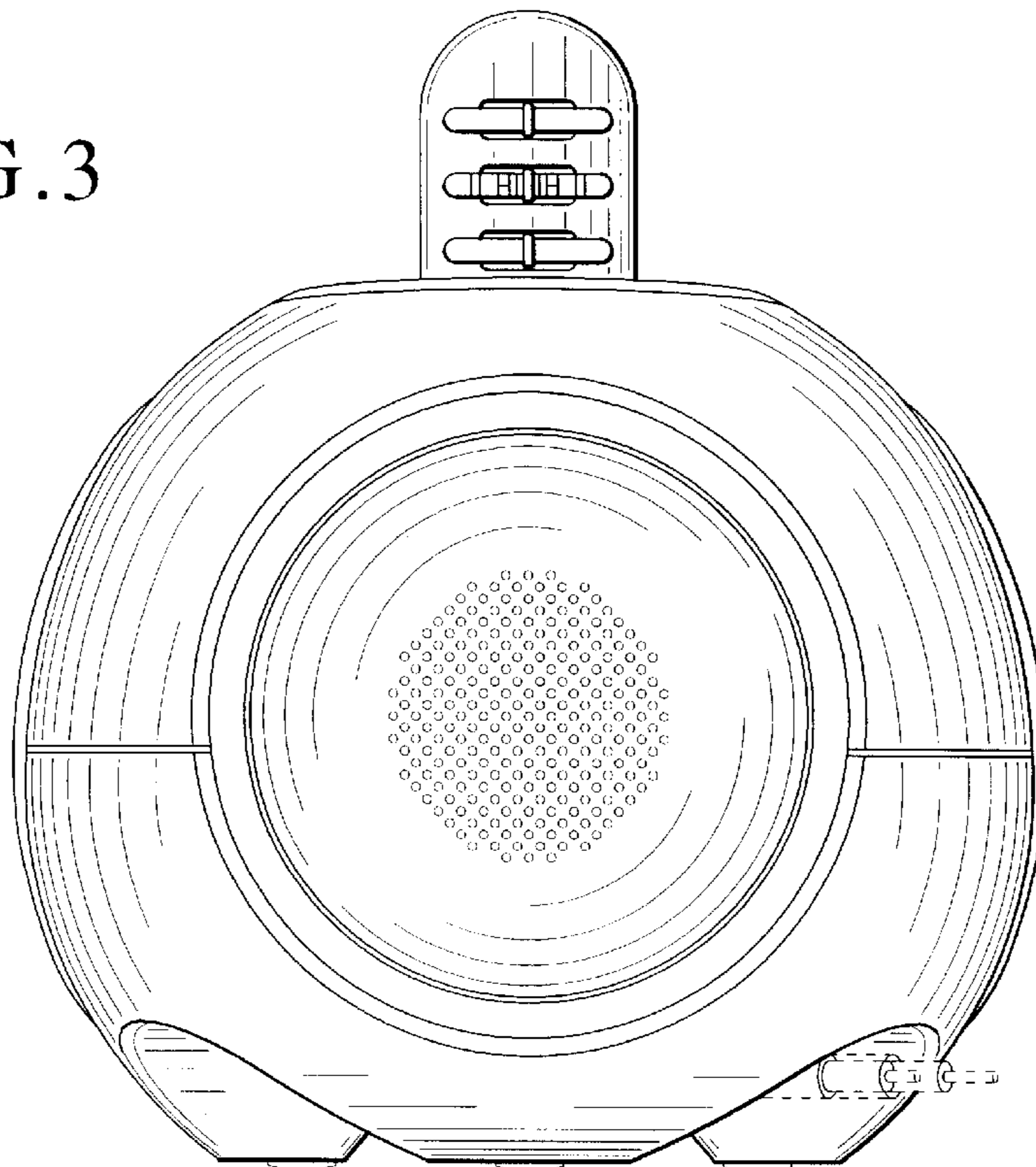


FIG. 4

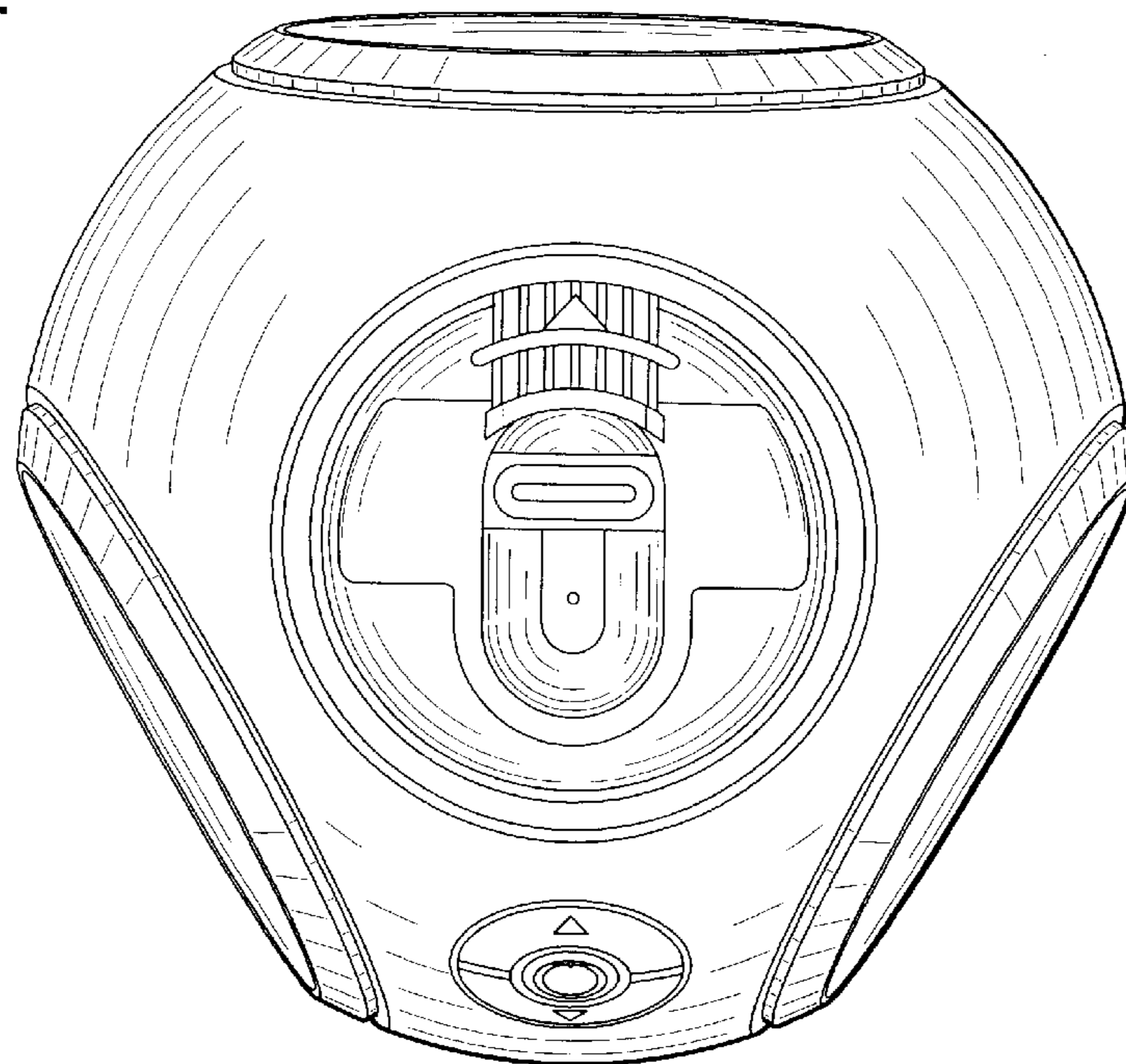


FIG. 5

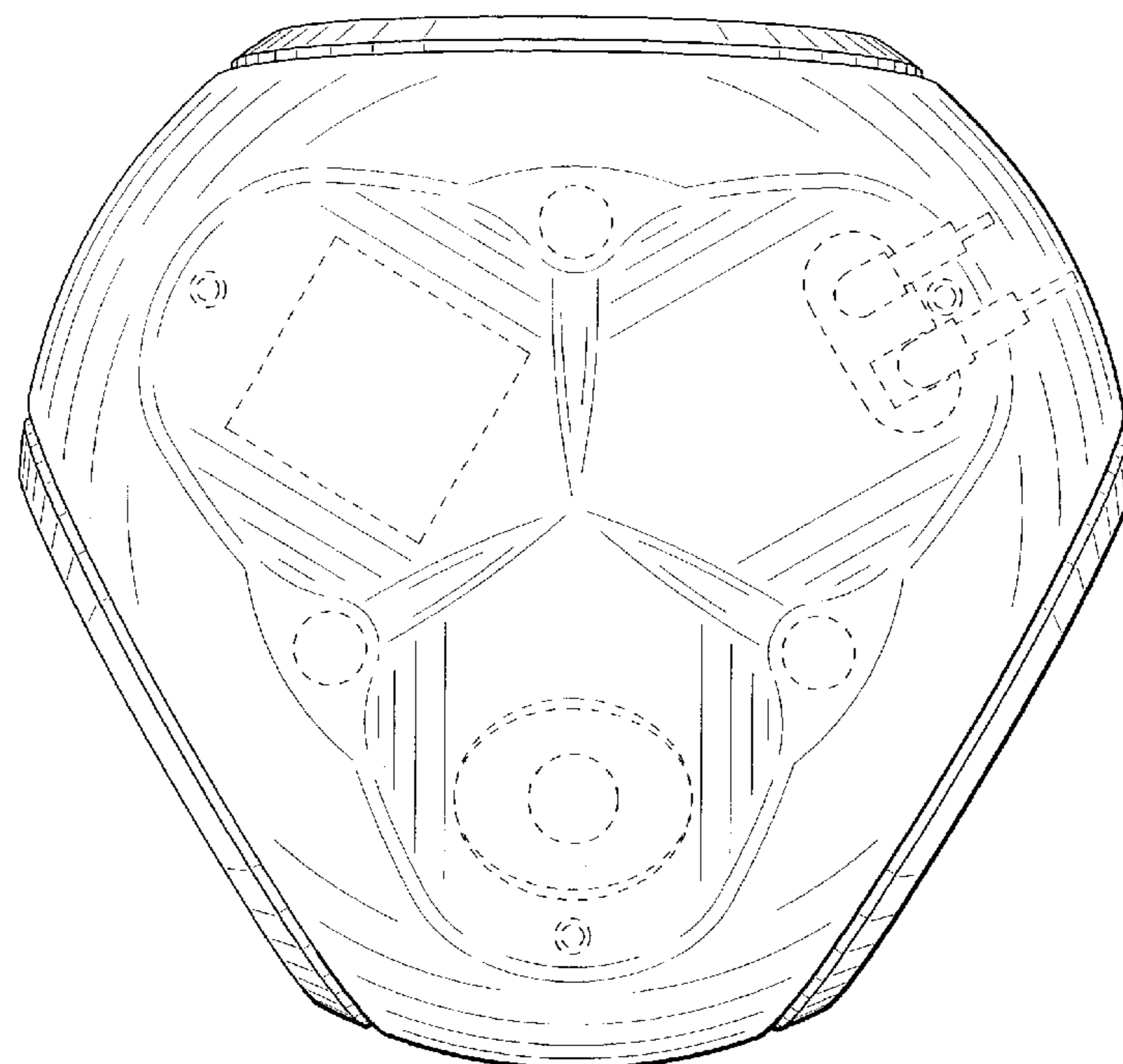


FIG. 6

