

US00D541258S

(12) **United States Design Patent**  
**Oxford et al.**

(10) **Patent No.:** **US D541,258 S**

(45) **Date of Patent:** **\*\* Apr. 24, 2007**

(54) **LOUDSPEAKER SYSTEM**

(76) Inventors: **J. Craig Oxford**, 1211 Belle Meade Blvd., Nashville, TN (US) 37205; **D. Michael Shields**, 631 Desnoyer Ave., St. Paul, MN (US) 55104

(\*\*) Term: **14 Years**

(21) Appl. No.: **29/251,037**

(22) Filed: **Jan. 3, 2006**

(51) **LOC (8) Cl.** ..... **14-01**

(52) **U.S. Cl.** ..... **D14/211; D14/215**

(58) **Field of Classification Search** ..... D14/204, D14/207, 209–216; 181/143–144, 147–148, 181/150, 157, 198–199, 151, 153; 381/300–302, 381/306, 333, 345, 361–364, 386–388, 332, 381/336

See application file for complete search history.

(56) **References Cited**

**U.S. PATENT DOCUMENTS**

- D265,822 S \* 8/1982 Hartwein et al. .... D14/211
- D265,990 S \* 8/1982 Hartwein et al. .... D14/214
- D328,901 S \* 8/1992 Haruyama ..... D14/216

- D375,499 S \* 11/1996 Meyer et al. .... D14/214
- D451,494 S \* 12/2001 Oikawa ..... D14/214
- D486,474 S \* 2/2004 Allen ..... D14/215
- D494,565 S \* 8/2004 Yao ..... D14/215
- D503,168 S \* 3/2005 Hisatsune ..... D14/211
- D512,986 S \* 12/2005 Lee et al. .... D14/211

\* cited by examiner

*Primary Examiner*—Nanda Bondade

(74) *Attorney, Agent, or Firm*—Dergosits & Noah LLP

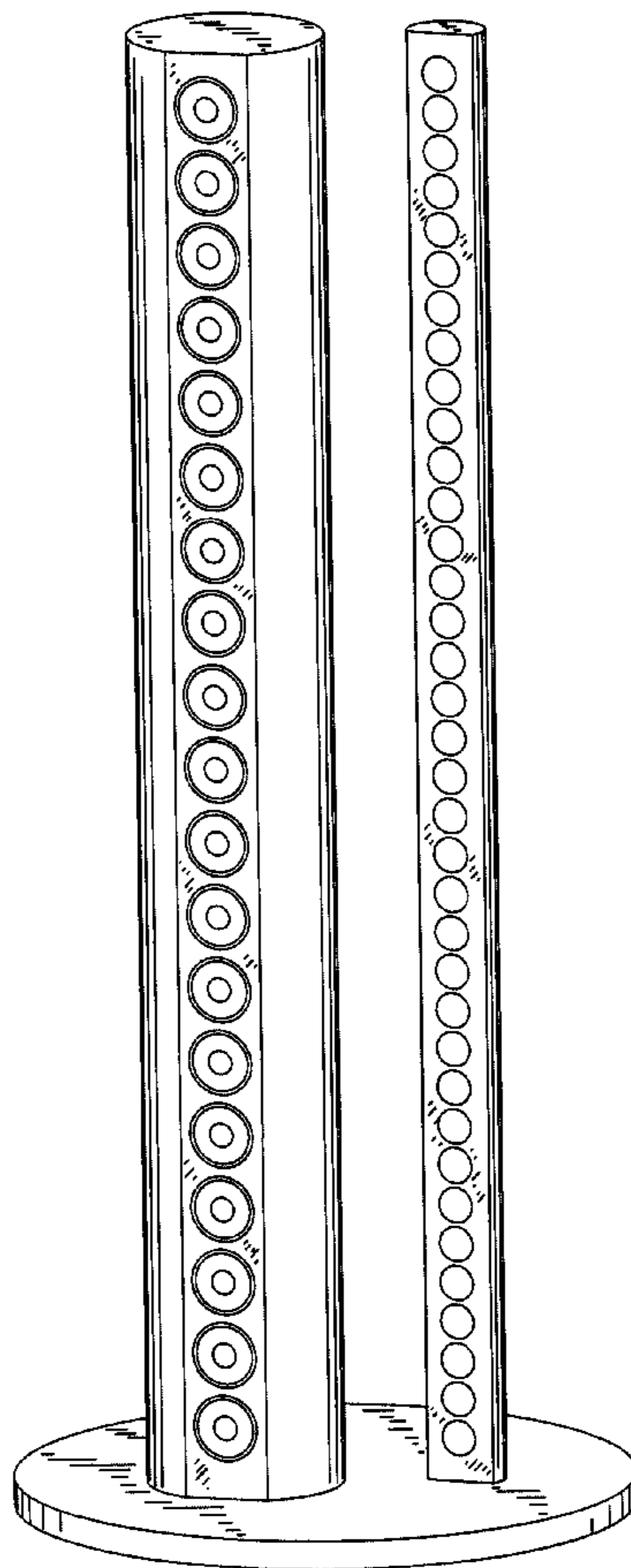
(57) **CLAIM**

The ornamental design for a loudspeaker system, as shown and described.

**DESCRIPTION**

FIG. 1 is a perspective view of a loudspeaker system showing our new design;  
FIG. 2 is top plan view thereof;  
FIG. 3 is a bottom view thereof;  
FIG. 4 is a front view thereof;  
FIG. 5 is a rear view thereof;  
FIG. 6 is a left side view thereof; and,  
FIG. 7 is a right side view thereof.

**1 Claim, 4 Drawing Sheets**



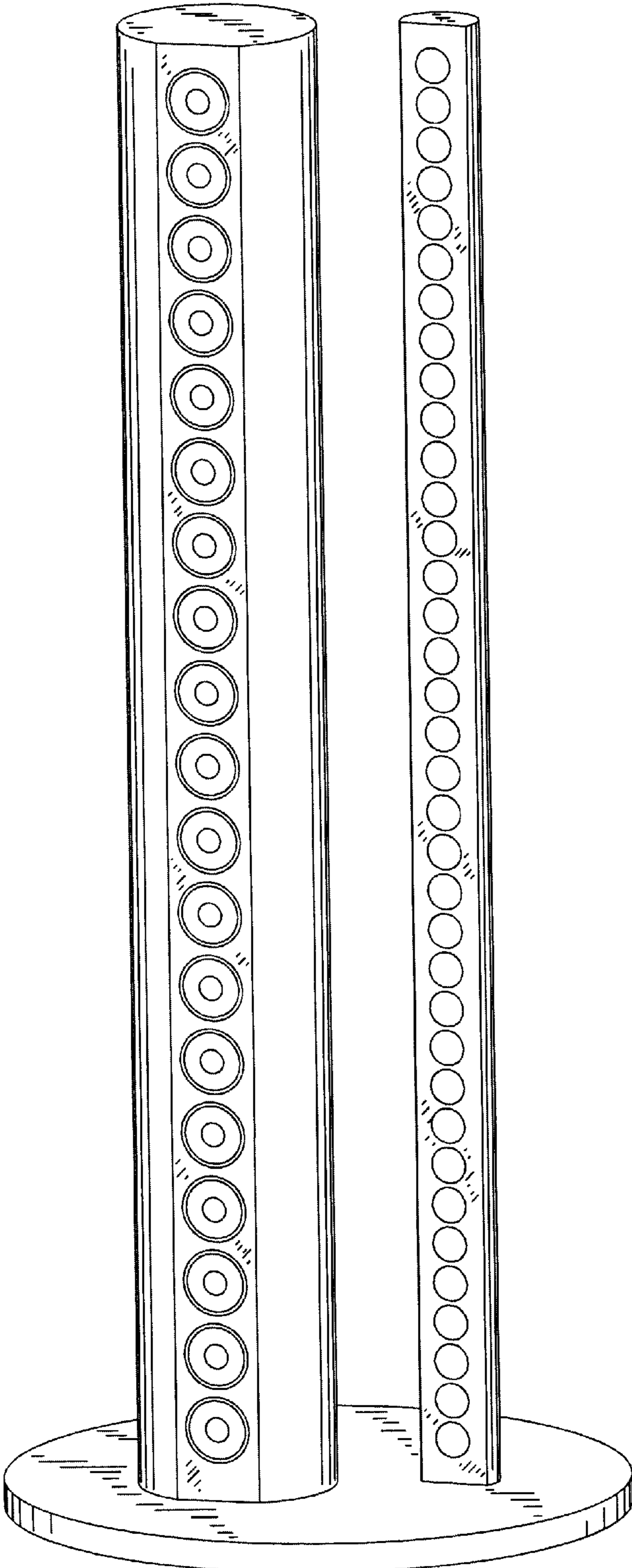


FIG. 1

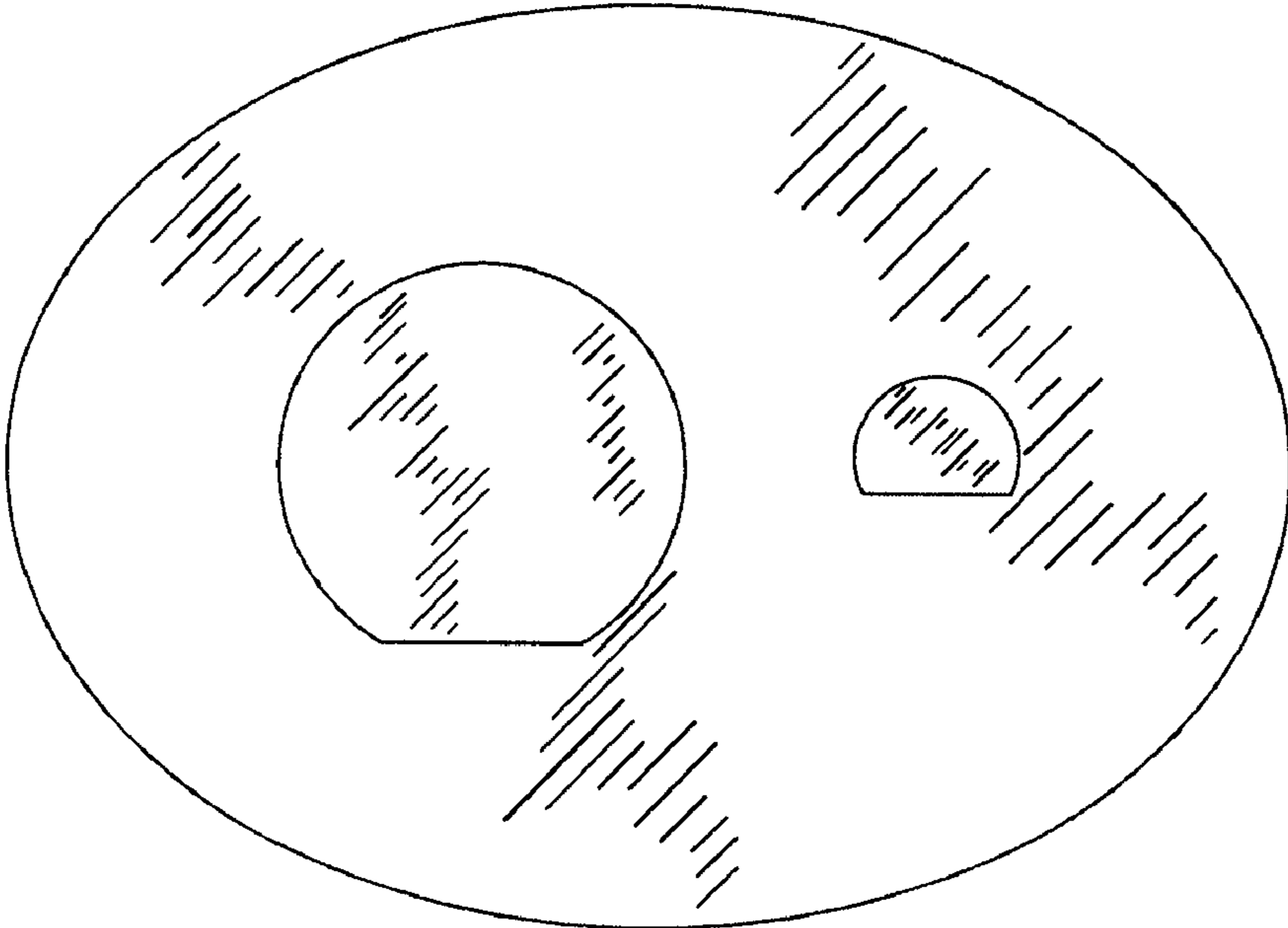


FIG. 2

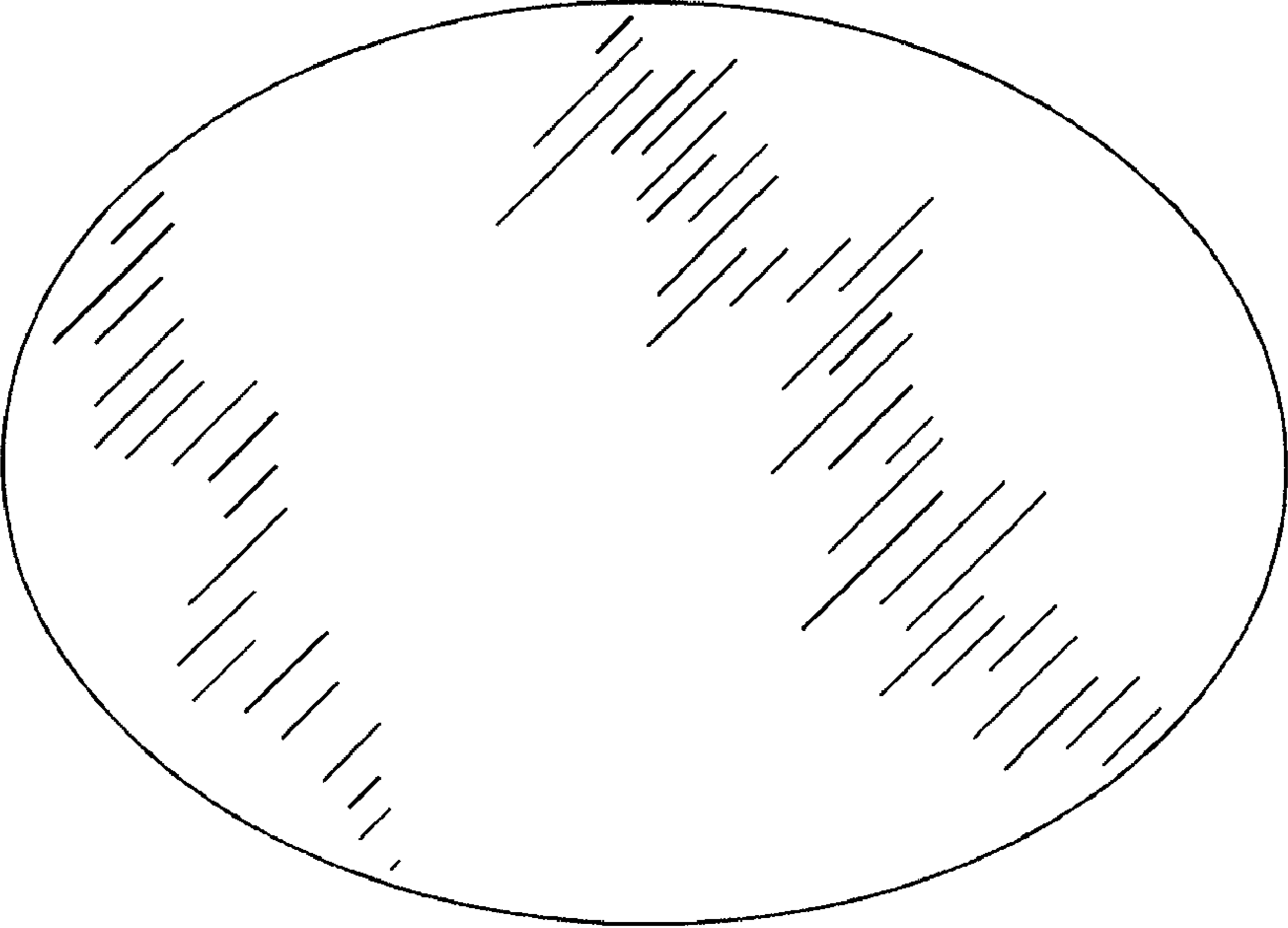


FIG. 3

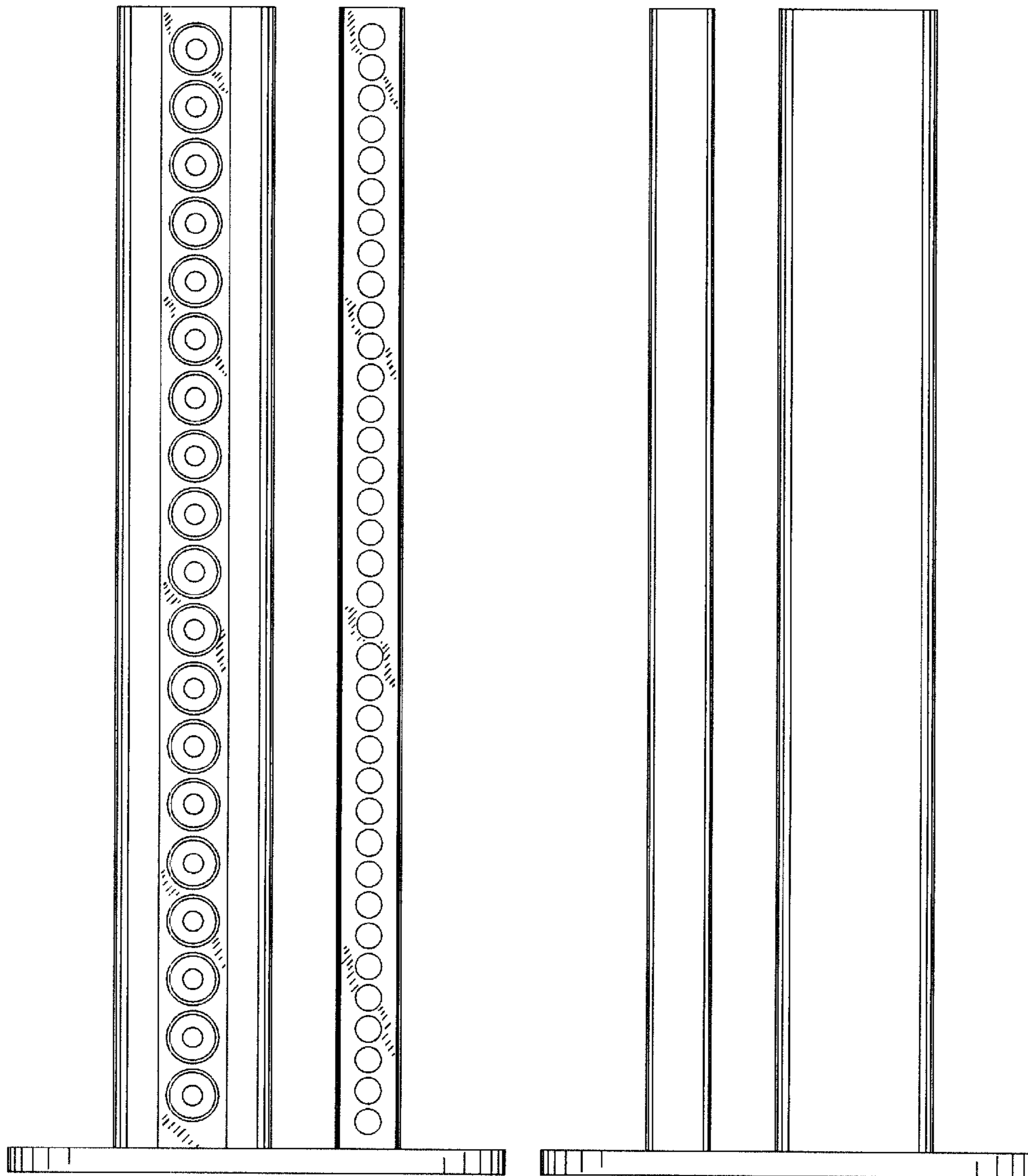


FIG. 4

FIG. 5

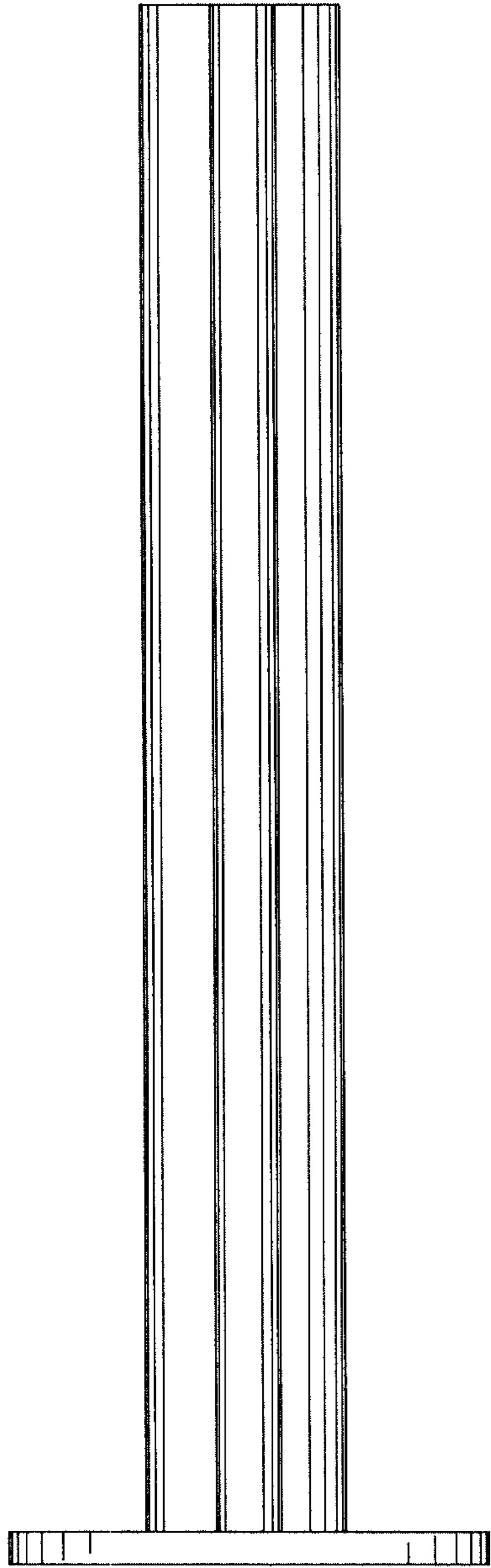


FIG. 6

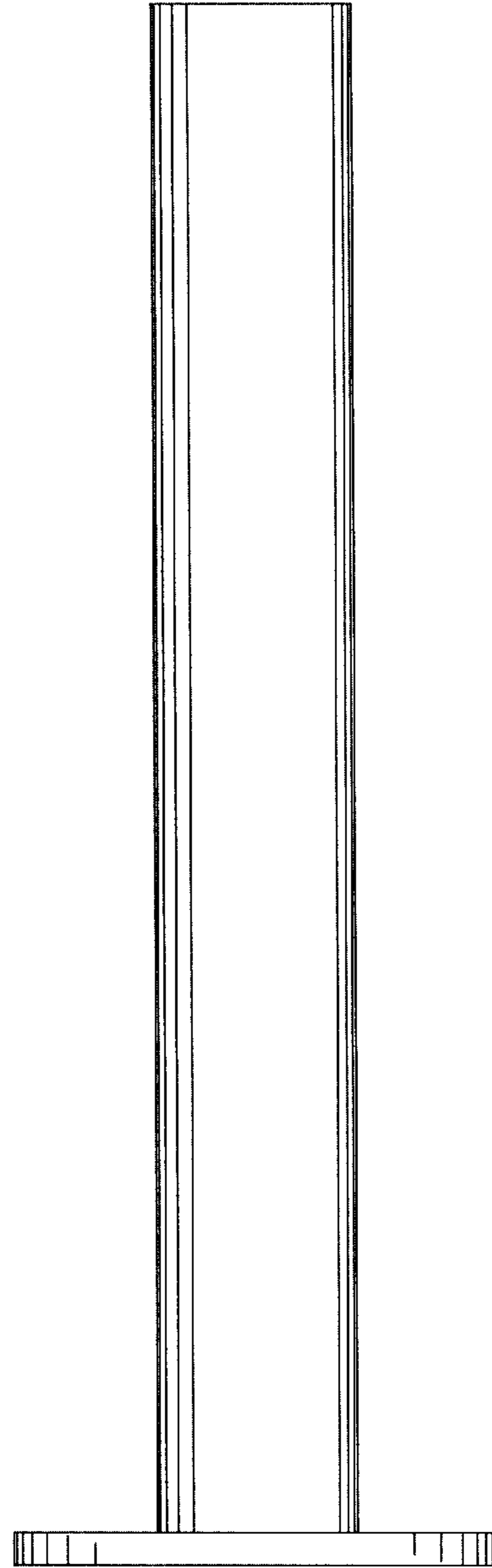


FIG. 7