



US00D541254S

(12) **United States Design Patent**
Dayan

(10) **Patent No.:** **US D541,254 S**
(45) **Date of Patent:** **** Apr. 24, 2007**

(54) **MODULATOR**

Cyberguys Dec. 2004 Catalog, Item No. 204-0172.

(75) Inventor: **Mervin A. Dayan**, Oakhurst, NJ (US)

* cited by examiner

(73) Assignee: **Intellectual Solutions, Inc.**

Primary Examiner—Cathron C. Brooks

Assistant Examiner—Austin Murphy

(**) Term: **14 Years**

(74) *Attorney, Agent, or Firm*—Brian L. Belles; Wolf Block Schorr and Solis-Cohen LLP

(21) Appl. No.: **29/259,502**

(22) Filed: **May 10, 2006**

(57) **CLAIM**

The ornamental design for a modulator, as shown and described.

Related U.S. Application Data

DESCRIPTION

(63) Continuation of application No. 29/219,410, filed on Dec. 16, 2004, now Pat. No. Des. 524,285.

(51) **LOC (8) Cl.** **14-03**

FIG. 1 is a perspective view of a modulator showing my design.

(52) **U.S. Cl.** **D14/155**

FIG. 2 is a top view of the modulator of FIG. 1.

(58) **Field of Classification Search** D21/566;
D14/299, 240, 188, 162, 155, 137; D13/168,
D13/144, 110, 107, 106; 439/668, 490, 348,
439/32; 361/730

FIG. 3 is a bottom view of the modulator of FIG. 1.

FIG. 4 is a right-side view of the modulator of FIG. 1, the left-side view being a mirror image thereof.

See application file for complete search history.

FIG. 5 is a rear view of the modulator of FIG. 1.

FIG. 6 is a front view of the modulator of FIG. 1.

(56) **References Cited**

FIG. 7 is a perspective view of an alternative embodiment of the modulator.

U.S. PATENT DOCUMENTS

FIG. 8 is a top view of the modulator of FIG. 7.

| | | | | | |
|------------|---|---------|--------------------|-------|---------|
| D433,379 S | * | 11/2000 | Jokinen | | D13/107 |
| D436,080 S | * | 1/2001 | Hussaini et al. | | D13/144 |
| D442,543 S | * | 5/2001 | Krumenacker et al. | | D13/107 |
| D456,007 S | * | 4/2002 | Kuo | | D13/110 |
| D469,400 S | * | 1/2003 | Shor et al. | | D13/107 |
| D492,249 S | * | 6/2004 | Suomalainen et al. | | D13/108 |
| D494,542 S | * | 8/2004 | Hriscu et al. | | D13/110 |
| D506,455 S | * | 6/2005 | Bey et al. | | D14/155 |
| D521,487 S | * | 5/2006 | Dayan | | D14/155 |
| D522,992 S | * | 6/2006 | Dayan | | D14/155 |
| D523,413 S | * | 6/2006 | Dayan | | D14/155 |
| D524,285 S | * | 7/2006 | Dayan | | D14/155 |
| D530,280 S | * | 10/2006 | Krieger et al. | | D13/144 |

FIG. 9 is a bottom view of the modulator of FIG. 7.

FIG. 10 is a right-side view of the modulator of FIG. 7.

FIG. 11 is a left-side view of the modulator of FIG. 7.

FIG. 12 is a rear view of the modulator of FIG. 7.

FIG. 13 is a front view of the modulator of FIG. 7.

FIG. 14 is a perspective view of another alternative embodiment of the modulator.

FIG. 15 is a top view of the modulator of FIG. 14.

FIG. 16 is a bottom view of the modulator of FIG. 14.

FIG. 17 is a right-side view of the modulator of FIG. 14; and,

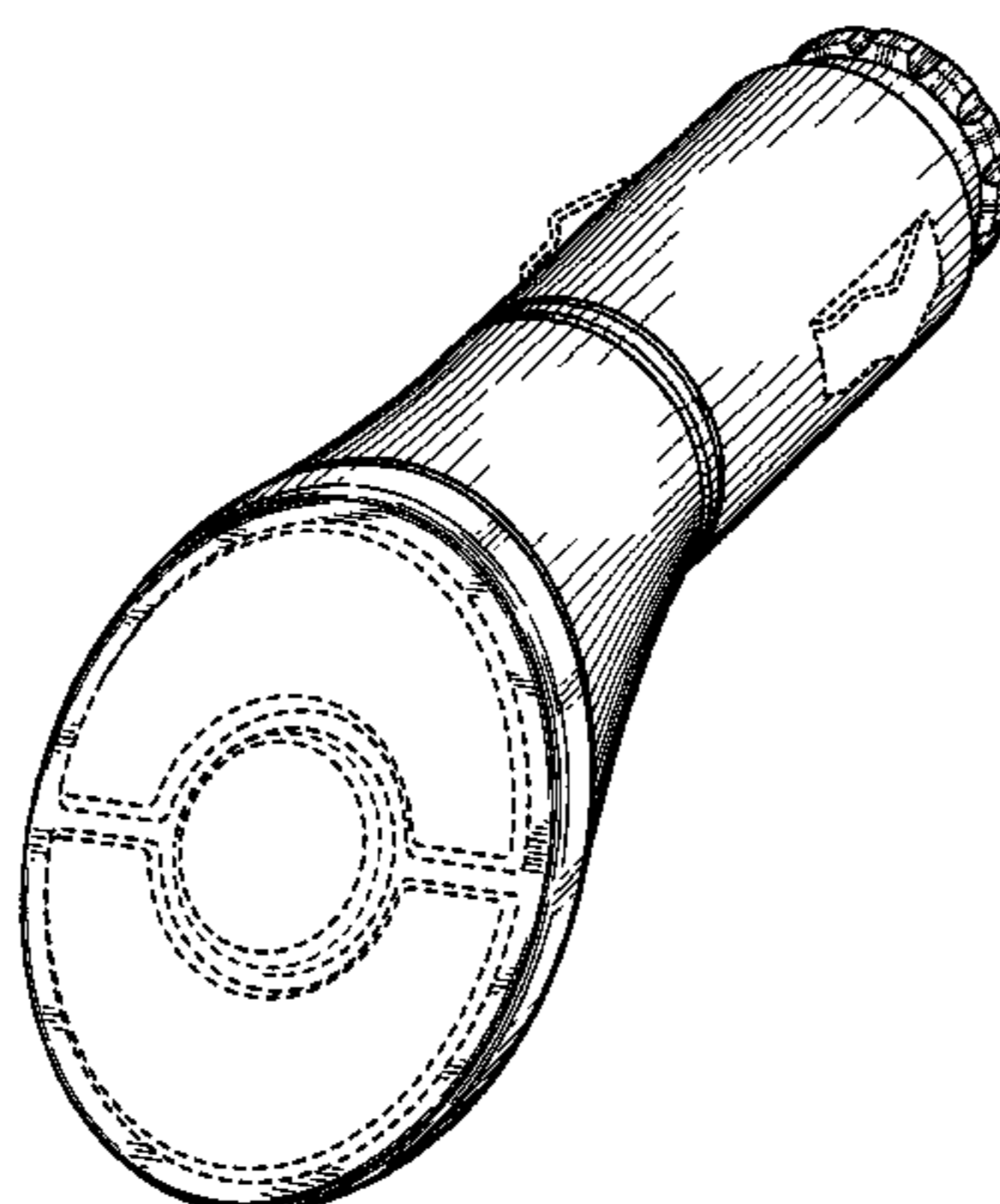
FIG. 18 is a left-side view of the modulator of FIG. 14.

The broken lines shown in the drawings form no part of the claimed design.

OTHER PUBLICATIONS

Modulator <http://sewelldirect.com/vr3-thumbdrive-dj-mp3-fm.asp> Oct. 25, 2006.*
Cyberguys Internet Catalog—Item No. 204-0172 www.cyberguys.com.

1 Claim, 16 Drawing Sheets



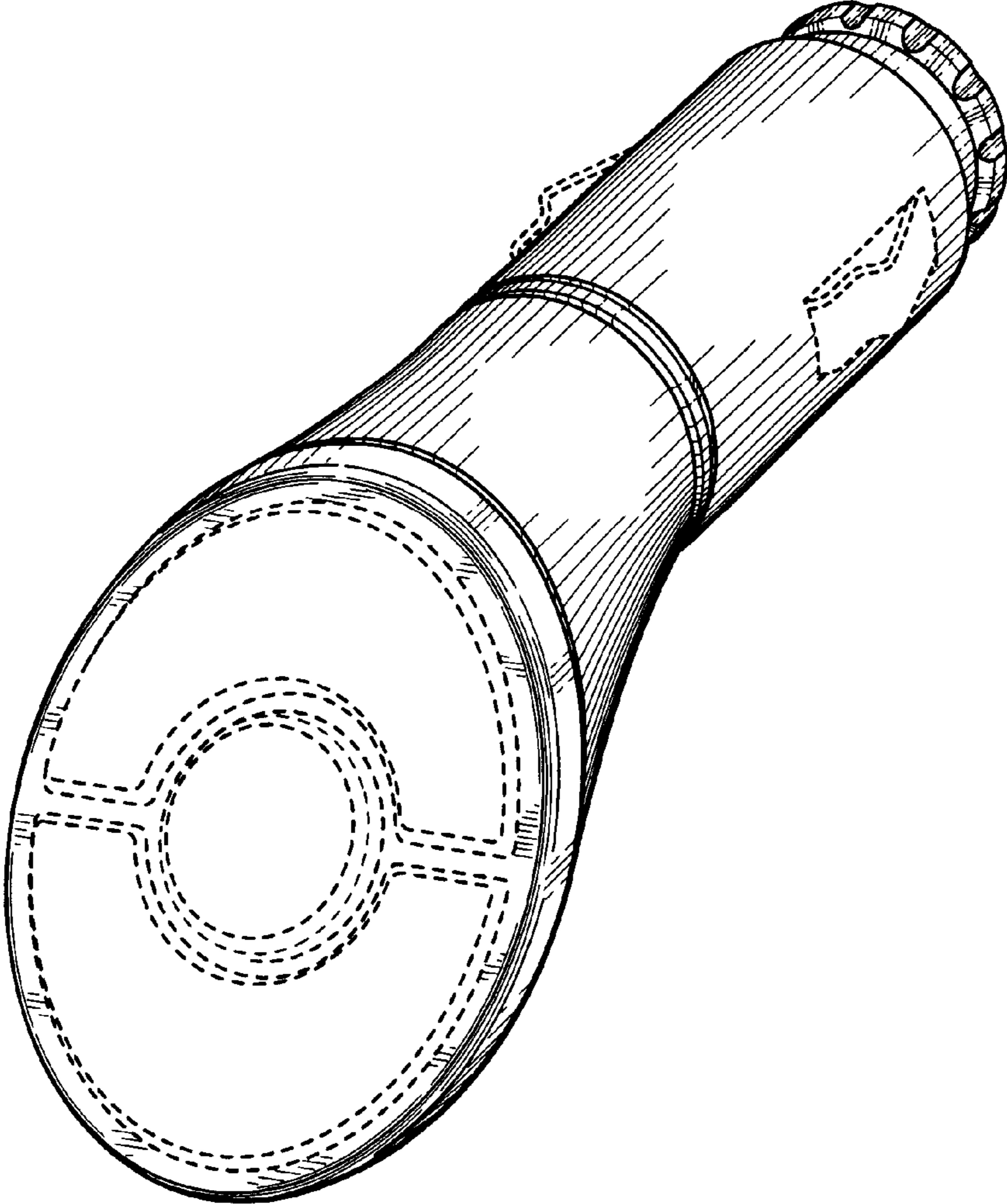


FIG. 1

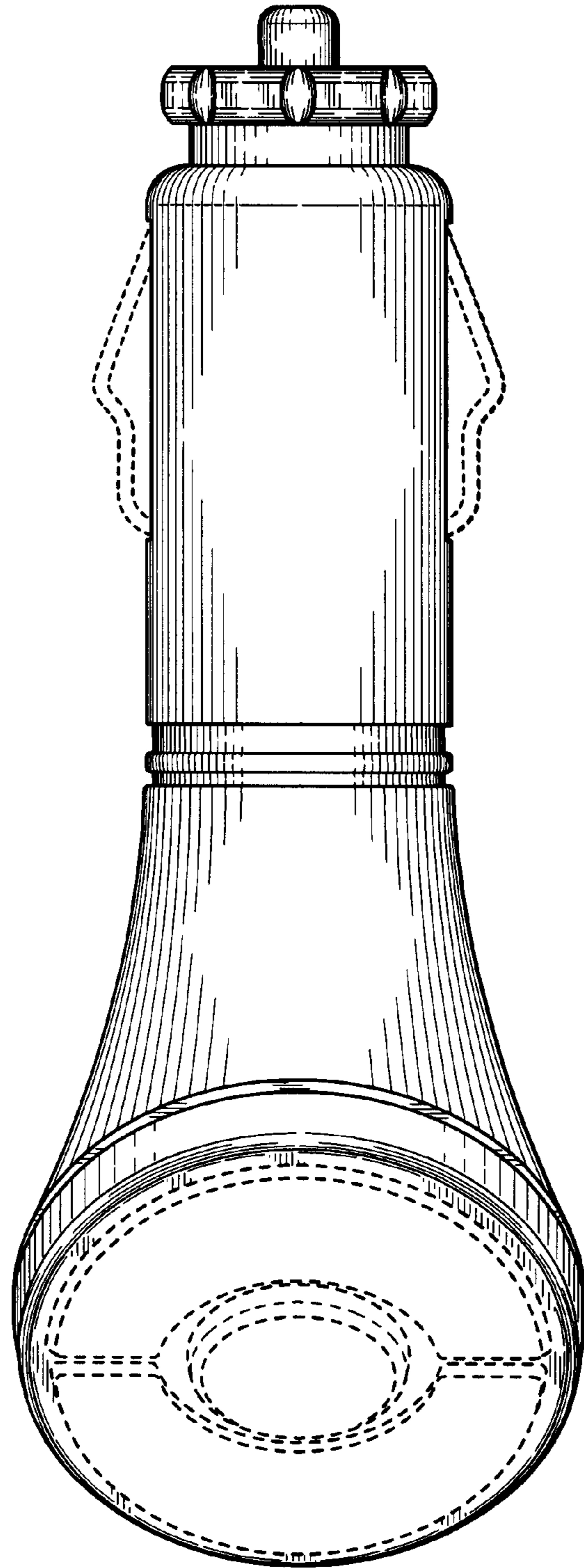


FIG. 2

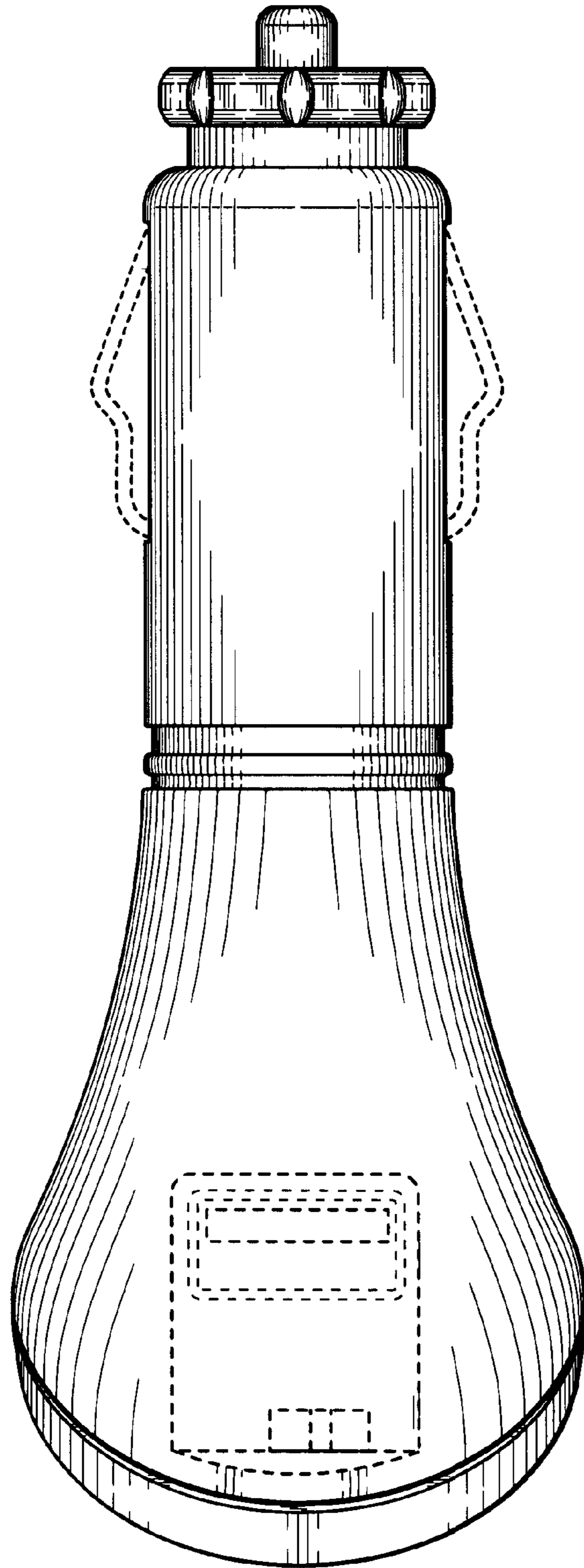


FIG. 3

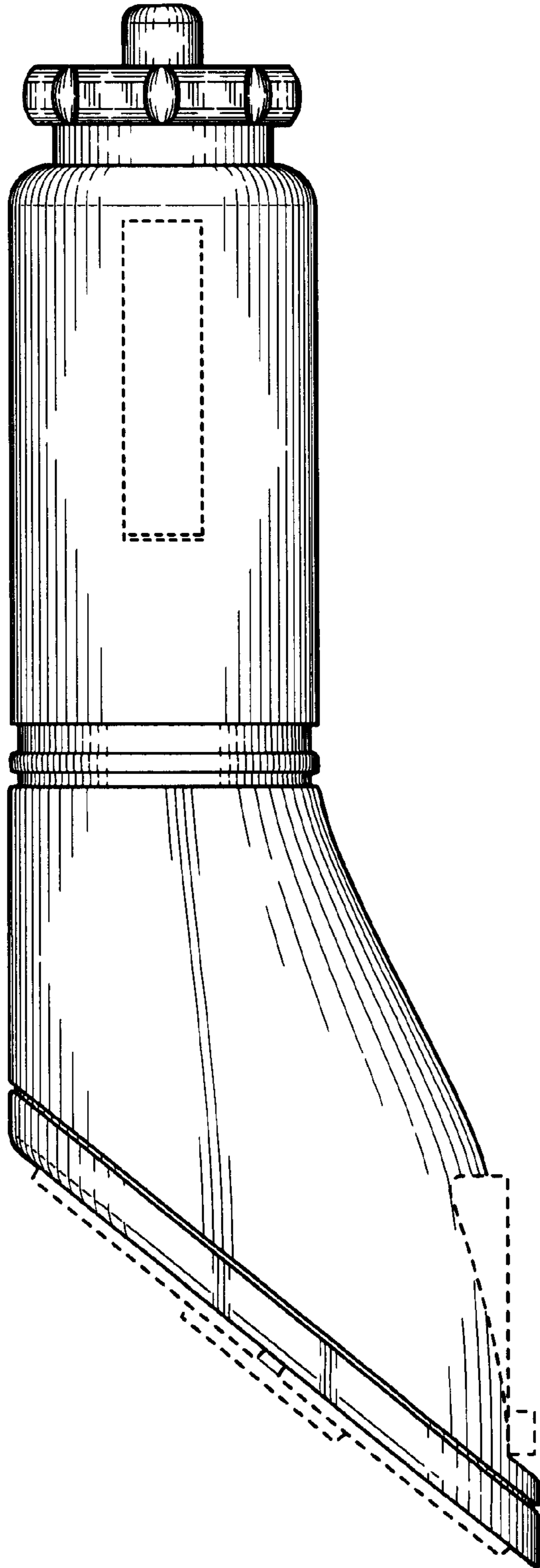


FIG. 4

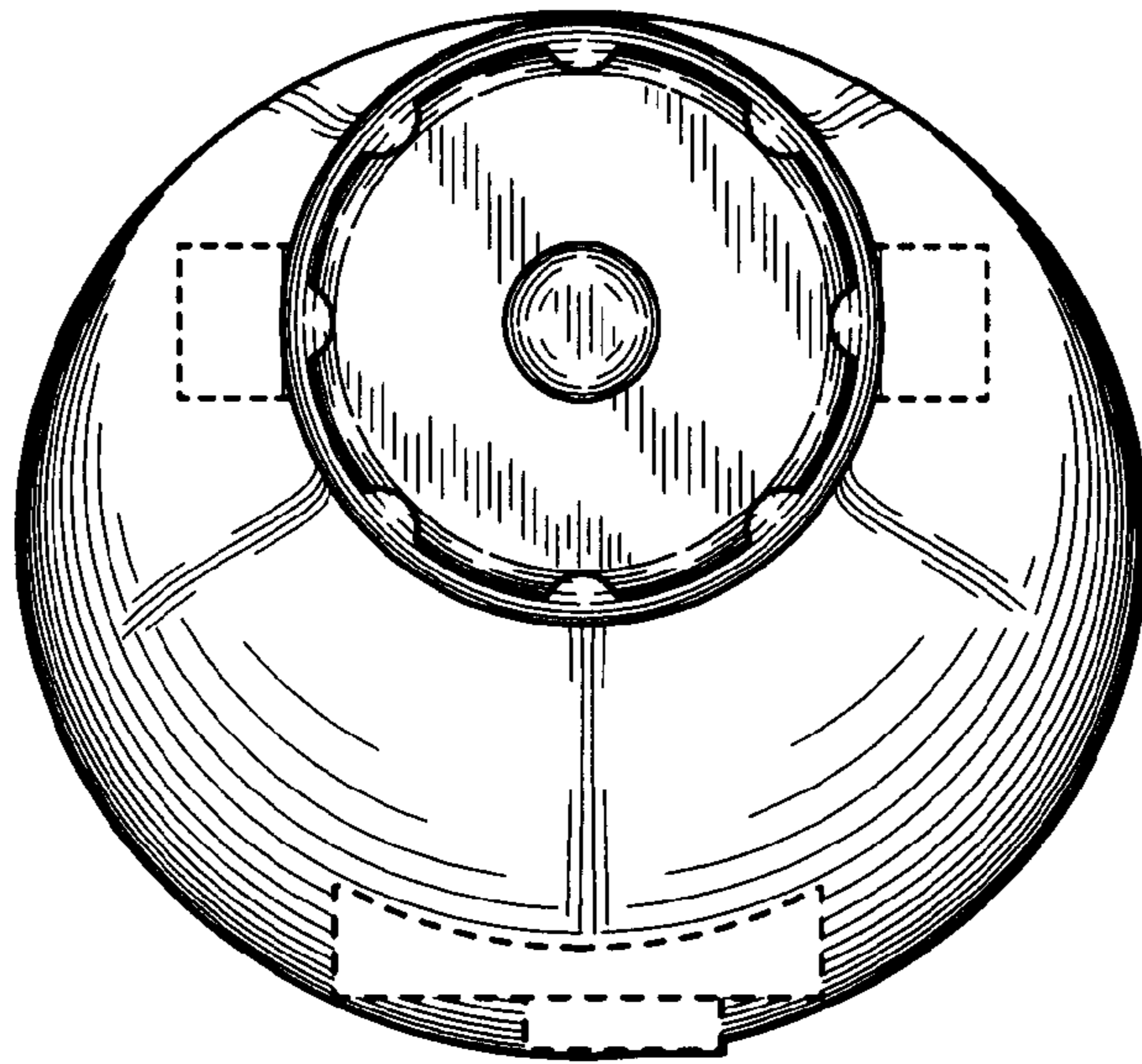


FIG. 5

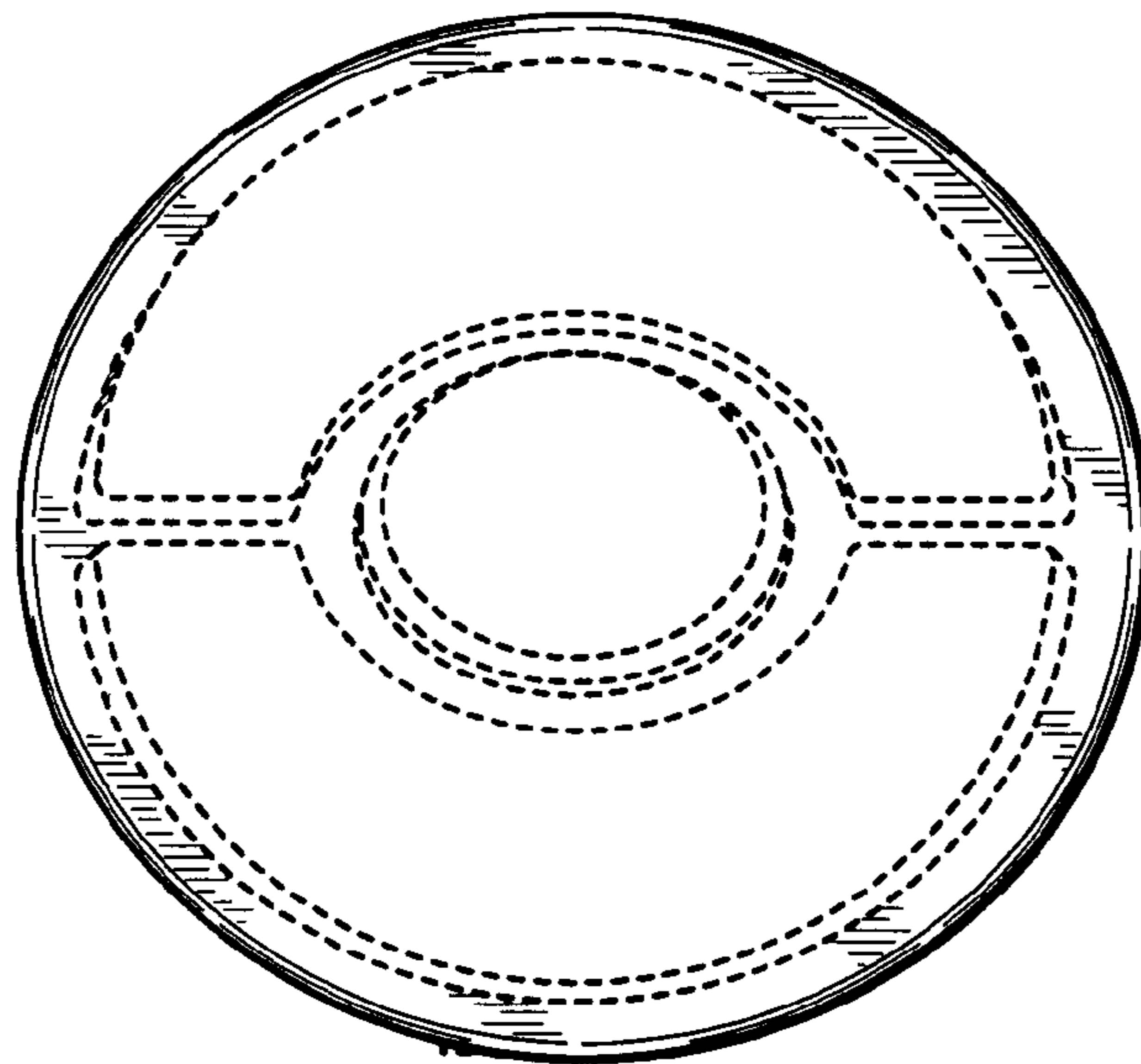


FIG. 6

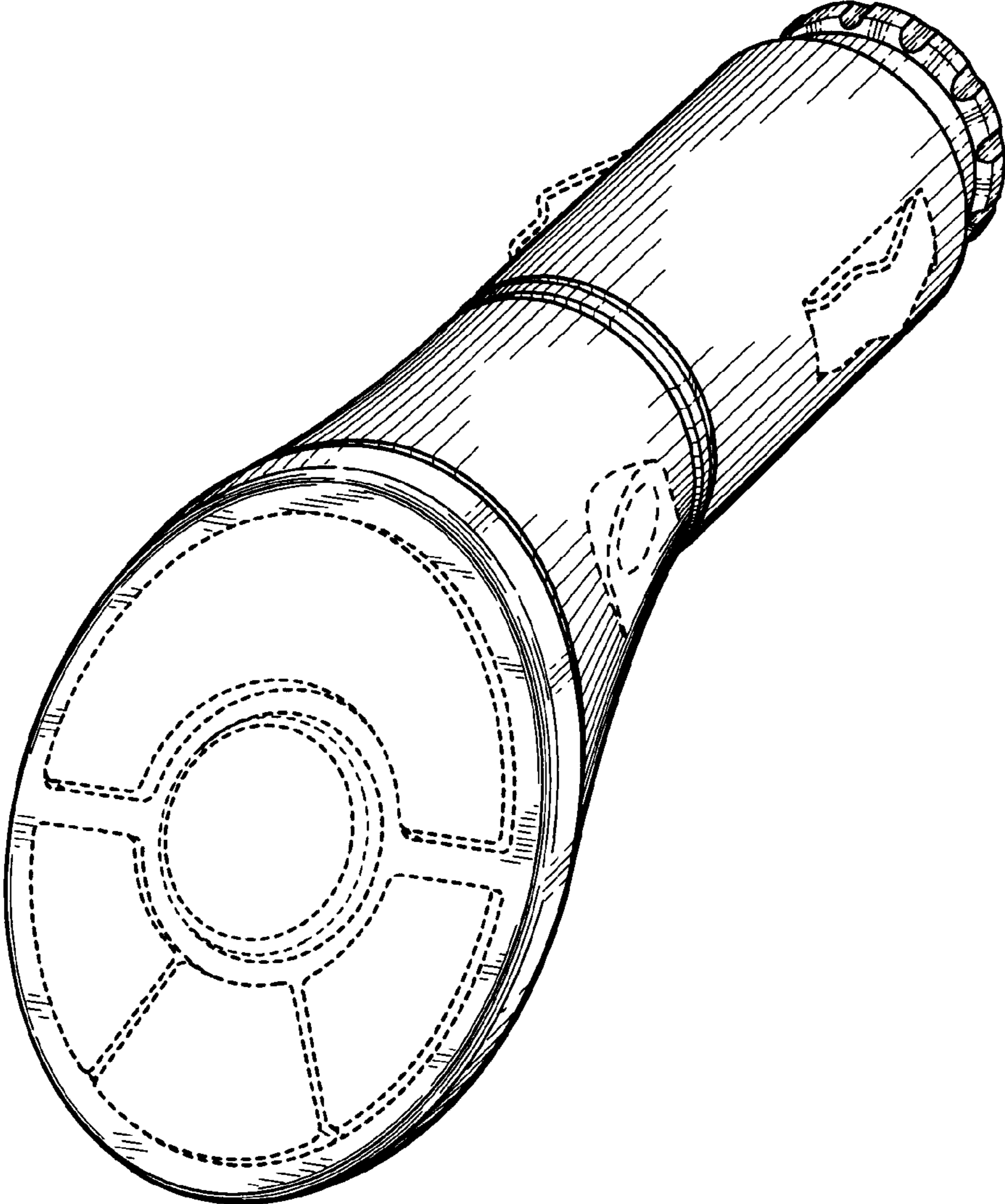


FIG. 7

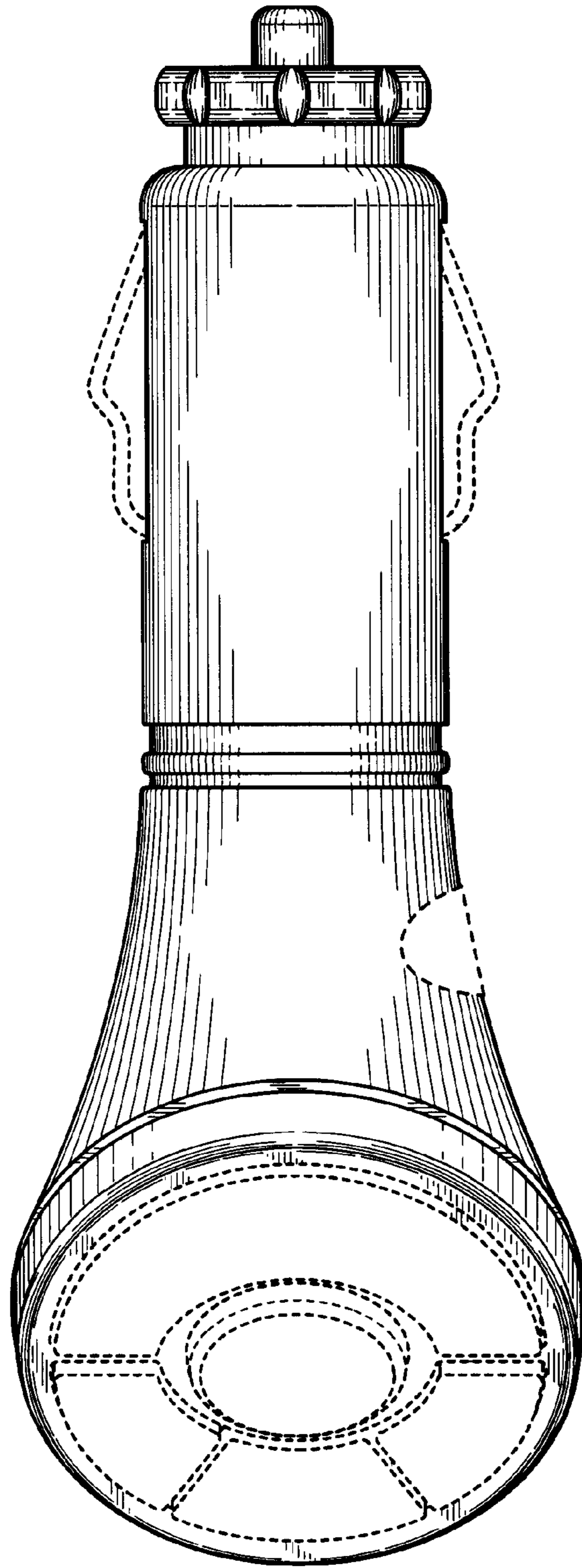


FIG. 8

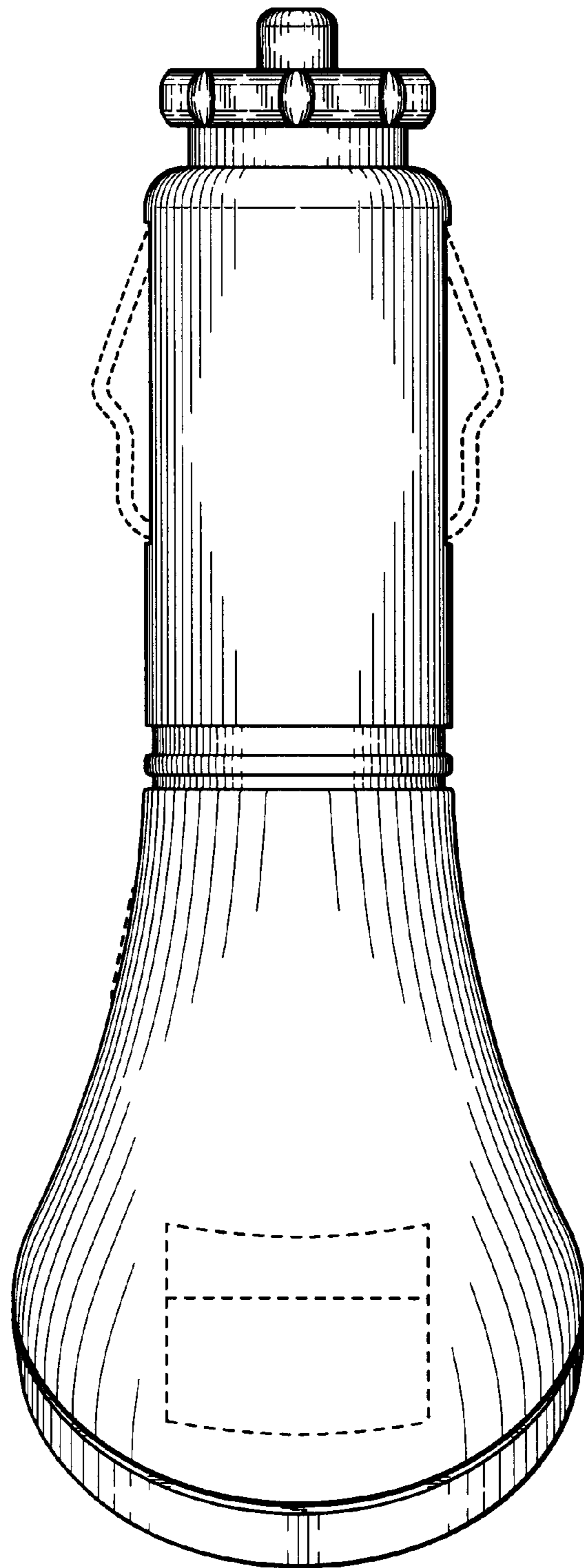


FIG. 9

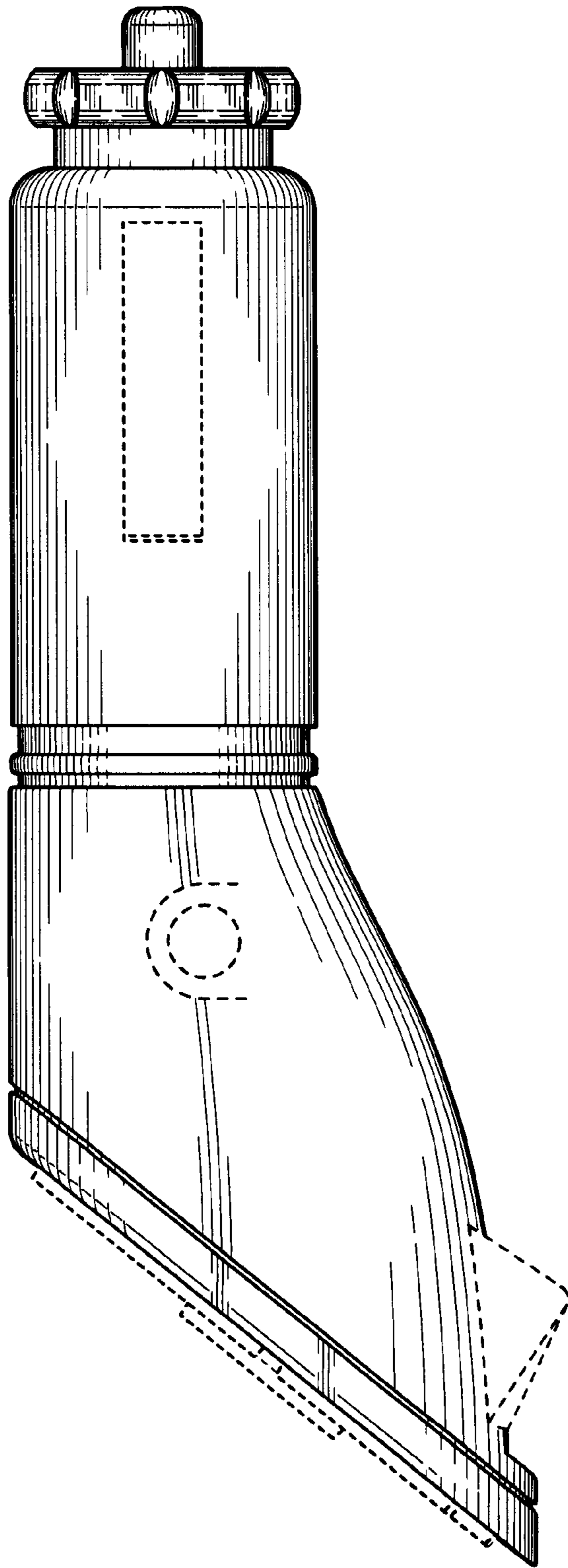


FIG. 10

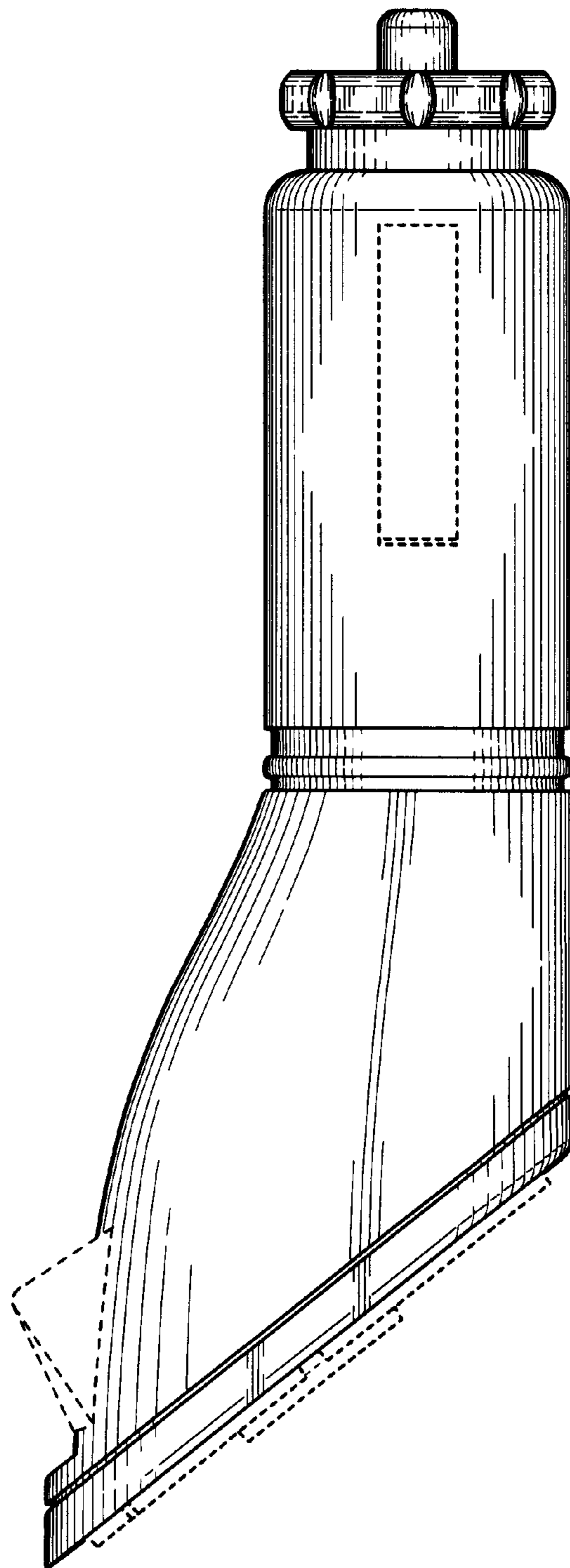


FIG. 11

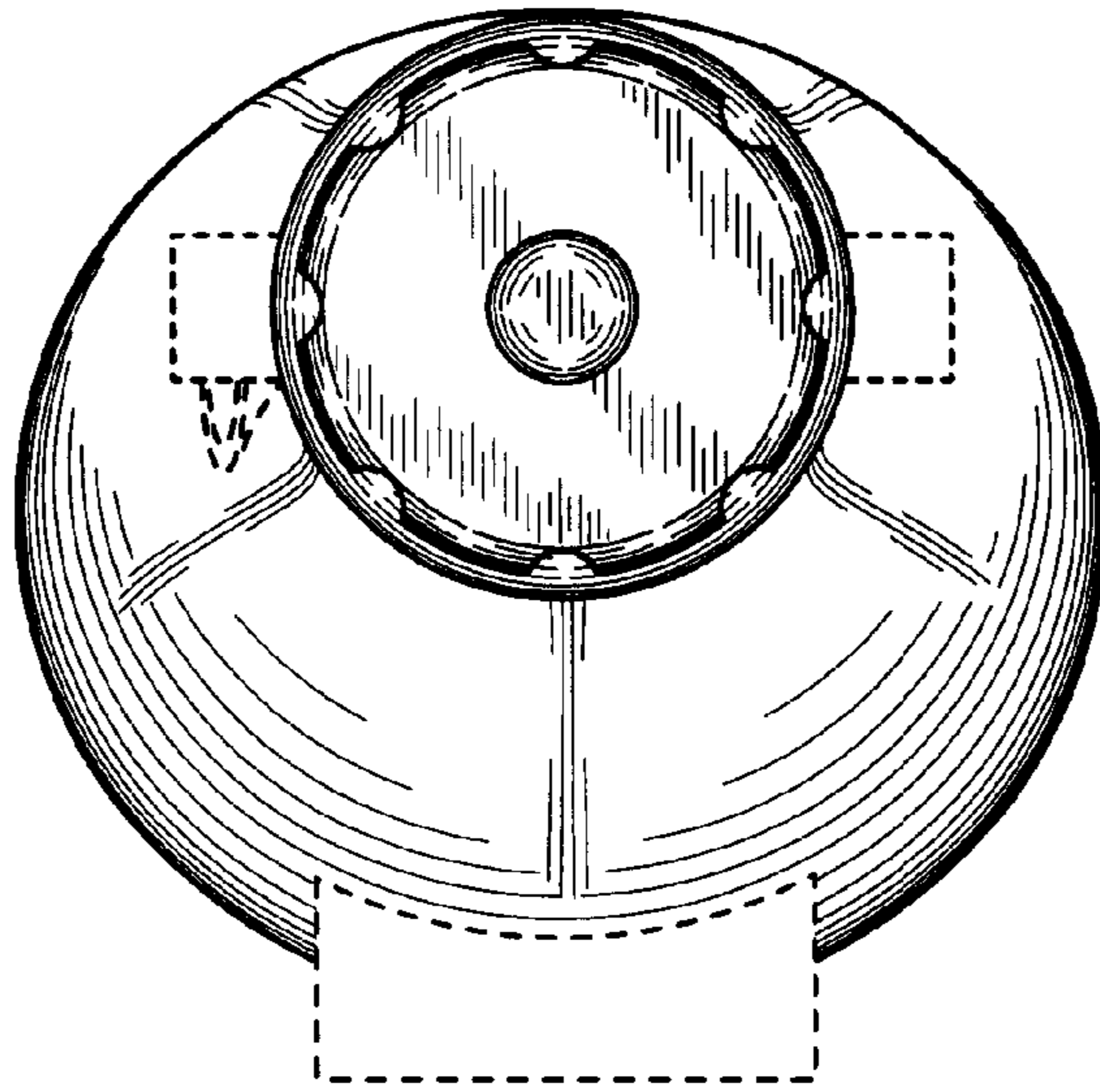


FIG. 12

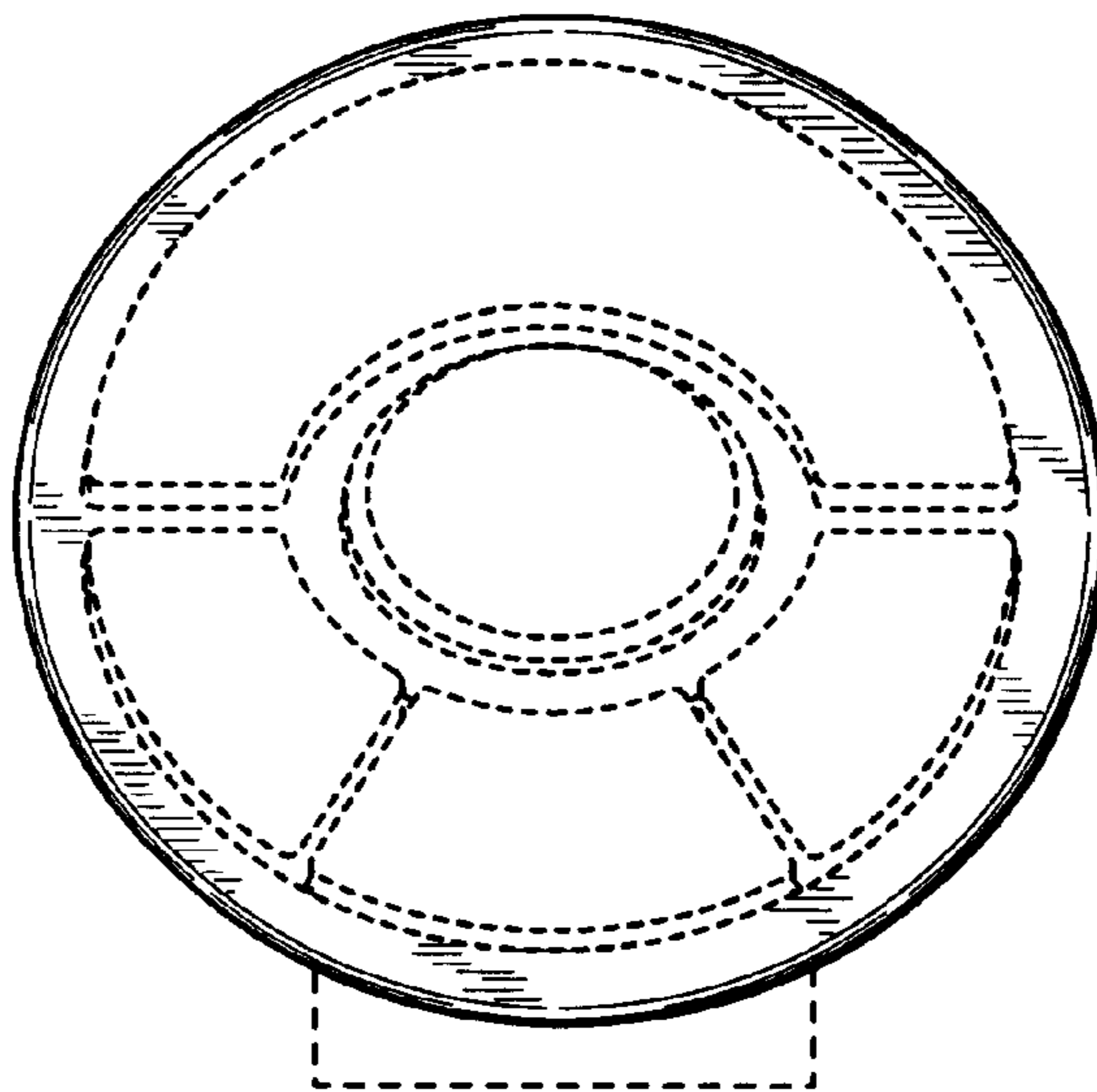


FIG. 13

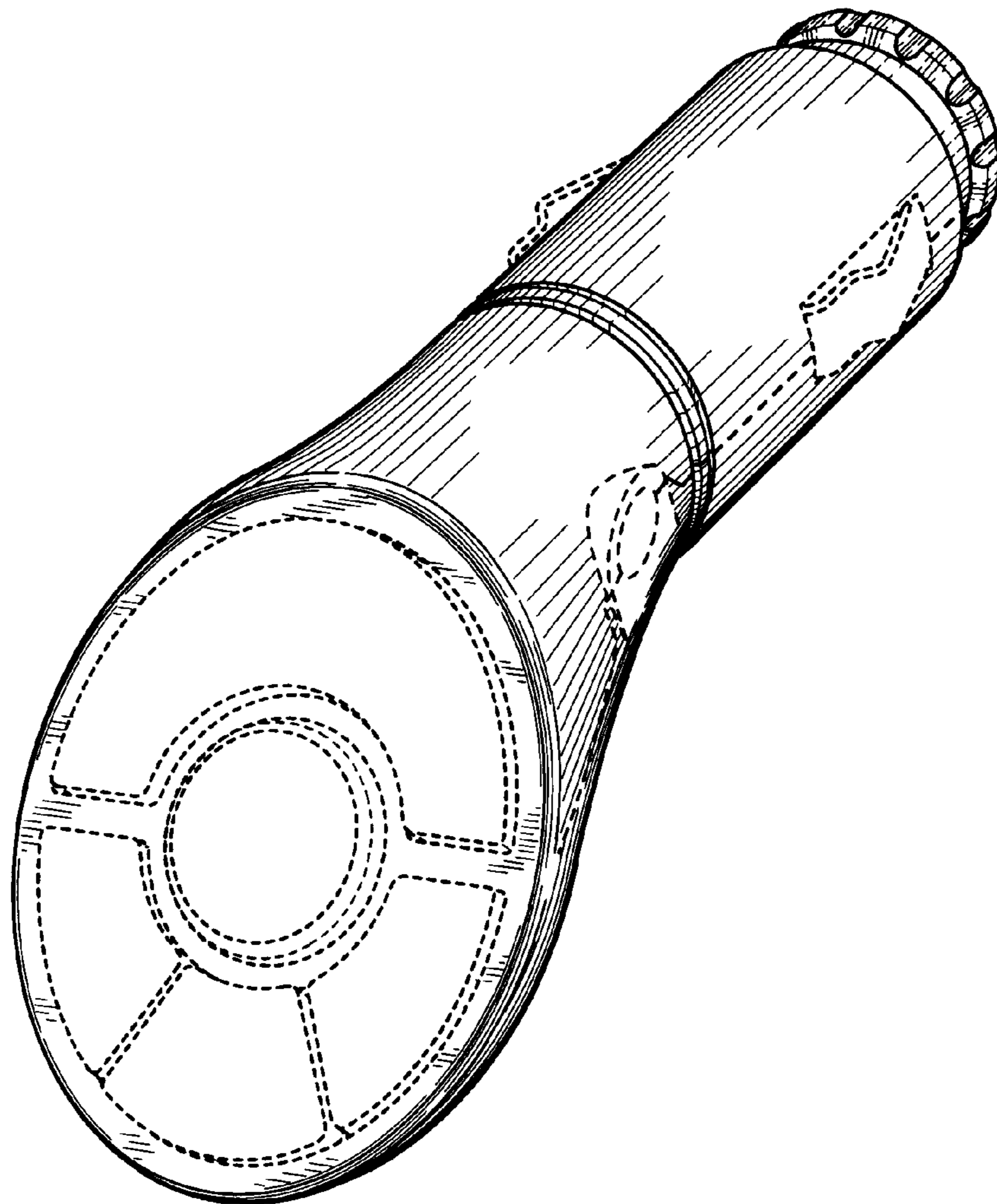


FIG. 14

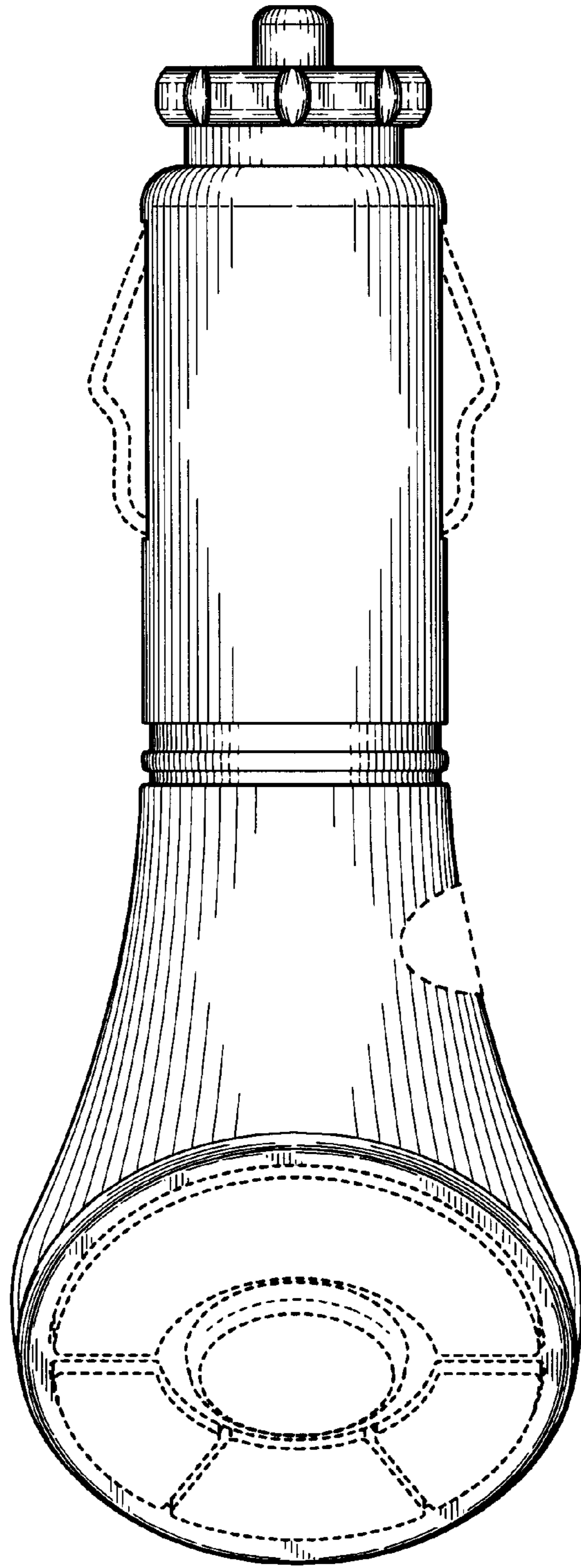


FIG. 15

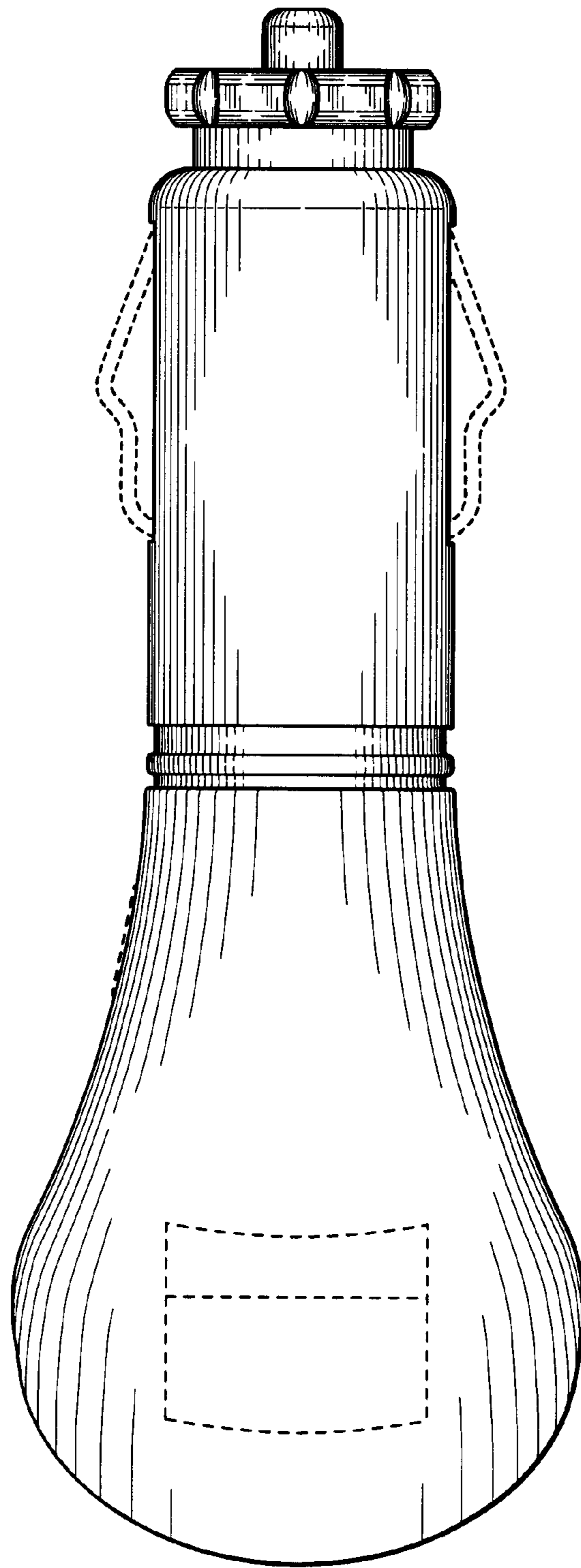


FIG. 16

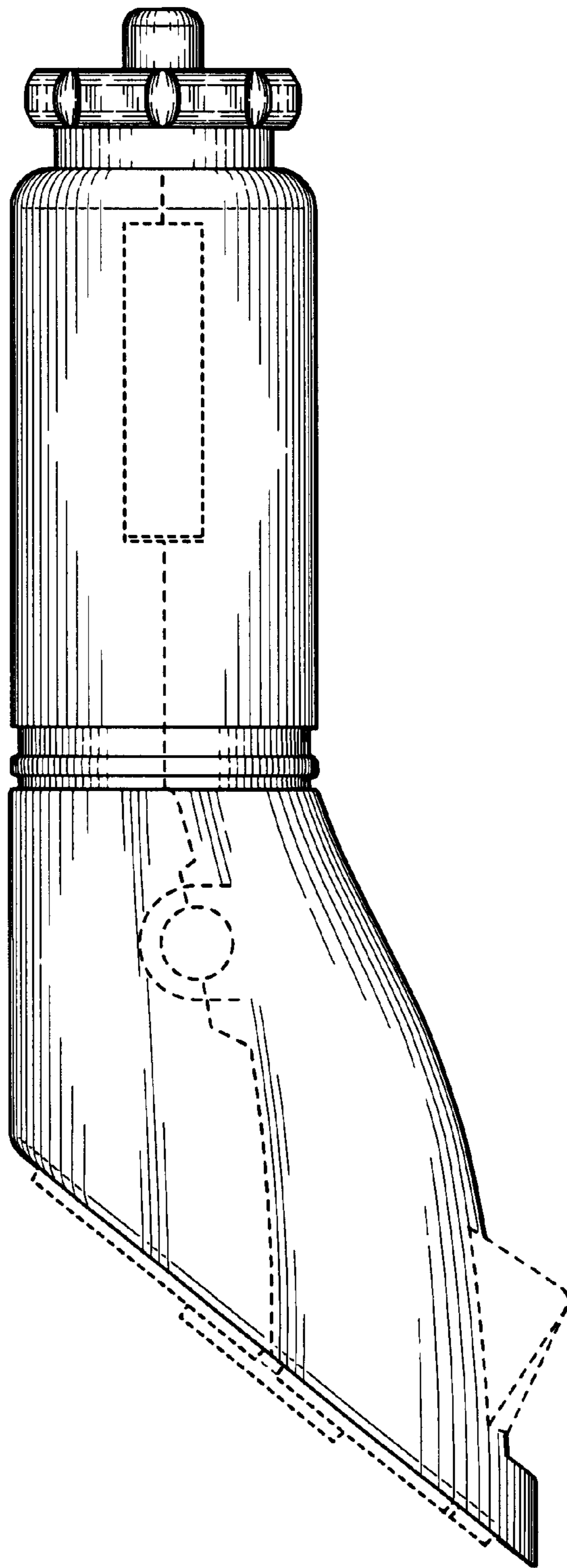


FIG. 17

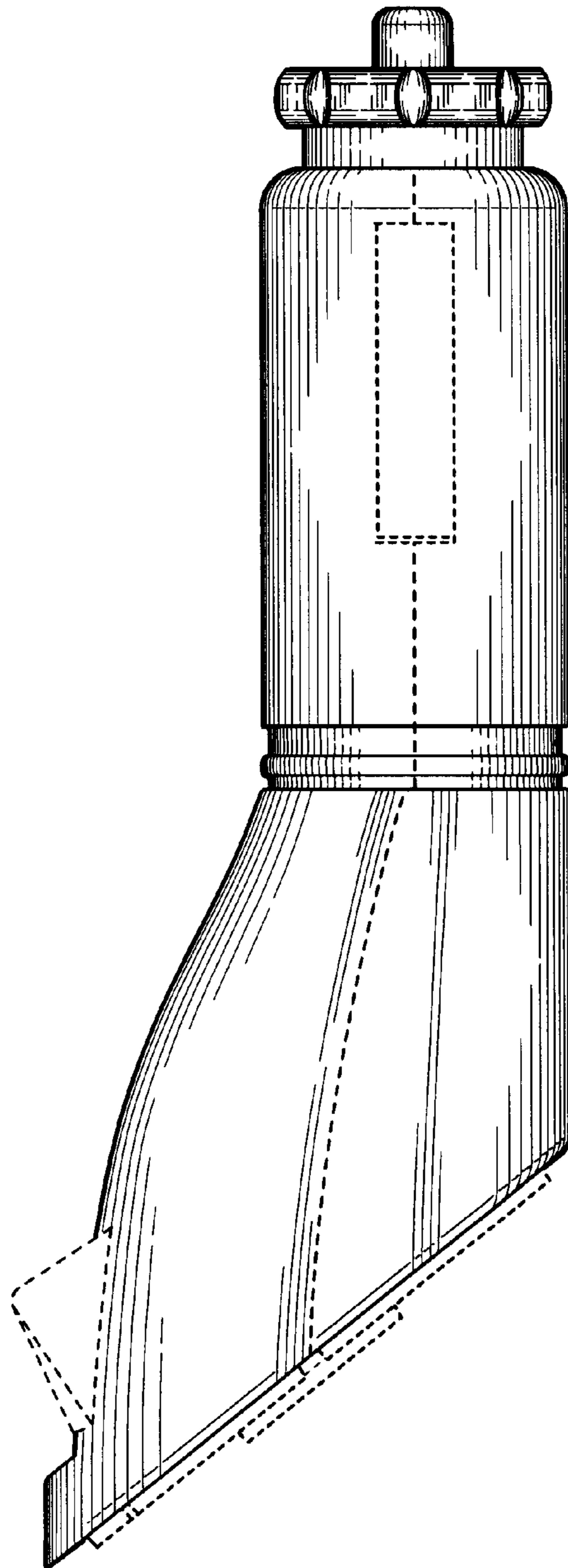


FIG. 18