

US00D541252S

(12) **United States Design Patent**
Kim et al.

(10) **Patent No.:** **US D541,252 S**
(45) **Date of Patent:** **** Apr. 24, 2007**

(54) **MOBILE PHONE**

(75) Inventors: **Young-Sae Kim**, Los Altos, CA (US);
Chi-Young Ahn, Seoul (KR);
Young-Ju Yeo, Seoul (KR);
Chang-Hwan Hwang, Goyang-si (KR)

(73) Assignee: **Samsung Electronics Co., Ltd.**,
Suwon-Si (KR)

(**) Term: **14 Years**

(21) Appl. No.: **29/253,889**

(22) Filed: **Feb. 15, 2006**

(30) **Foreign Application Priority Data**

Sep. 24, 2005 (KR) 30-2005-0032361

(51) **LOC (8) Cl.** **14-03**

(52) **U.S. Cl.** **D14/138**

(58) **Field of Classification Search** D14/341-347,
D14/138, 137, 147, 218; 455/575.1, 575.3,
455/575.4, 90.3, 556.1, 556.2; 379/433.01-433.13;
361/814; 348/14.02

See application file for complete search history.

(56) **References Cited**

U.S. PATENT DOCUMENTS

D442,152 S	*	5/2001	Roustaei	D14/125
D485,819 S	*	1/2004	Ahlgren	D14/138
D488,789 S	*	4/2004	Lee	D14/138
D492,657 S	*	7/2004	Jensfelt	D14/138
D496,921 S	*	10/2004	Hwang	D14/138
D505,932 S	*	6/2005	Eckholm et al.	D14/138
D513,741 S	*	1/2006	Jensfelt	D14/138
D514,538 S	*	2/2006	Chan et al.	D14/138
D517,038 S	*	3/2006	Lee et al.	D14/138
D517,039 S	*	3/2006	Lee	D14/138
D523,837 S	*	6/2006	Lee	D14/138
2004/0106429 A1	*	6/2004	Park et al.	455/550.1
2004/0132512 A1	*	7/2004	Yajima	455/575.3
2004/0162118 A1	*	8/2004	Park et al.	455/575.1
2004/0229663 A1	*	11/2004	Tosey et al.	455/575.1
2005/0014537 A1	*	1/2005	Gammon et al.	455/575.1
2005/0164751 A1	*	7/2005	Nishihara	455/575.1
2005/0181846 A1	*	8/2005	Taneya et al.	455/575.3
2005/0261042 A1	*	11/2005	Kim	455/575.4
2005/0277439 A1	*	12/2005	Brelo et al.	455/556.2

2006/0025184 A1	*	2/2006	Cho et al.	455/575.4
2006/0205447 A1	*	9/2006	Park et al.	455/575.1
2006/0229114 A2	*	10/2006	Kim	455/575.1

FOREIGN PATENT DOCUMENTS

WO	DM/066609	*	4/2005
WO	DM/067110	*	9/2005
WO	DM/067687	*	3/2006
WO	DM/067705	*	4/2006

OTHER PUBLICATIONS

Nokia N95, announced Sep. 2006, [online], [retrieved on Nov. 9, 2006]. Retrieved from Internet ,<URL: <http://www.gsmarena.com>>.*

Sony Ericsson K800, announced Feb. 2006, [online], [retrieved on Nov. 9, 2006]. Retrieved from Internet ,<URL: <http://www.gsmarena.com>>.*

LG B2250, announced 3rd quarter 2005, [online], [retrieved on Nov. 9, 2006]. Retrieved from Internet ,<URL: <http://www.gsmarena.com>>.*

Asus V80, announced Jul. 2006, [online], [retrieved on Nov. 9, 2006]. Retrieved from Internet ,<URL: <http://www.gsmarena.com>>.*

* cited by examiner

Primary Examiner—Jeffrey Asch

Assistant Examiner—Bridget L. Eland

(74) *Attorney, Agent, or Firm*—Staas & Halsey LLP

(57) **CLAIM**

The ornamental design for the mobile phone, as shown and described.

DESCRIPTION

FIG. 1 is a perspective view of the mobile phone showing our new design;

FIG. 2 is a front view thereof;

FIG. 3 is a rear view thereof;

FIG. 4 is a left side view thereof;

FIG. 5 is a right side view thereof;

FIG. 6 is a top plan view thereof;

FIG. 7 is a bottom plan view thereof; and,

FIG. 8 is a perspective view thereof with a front portion pivoted to an alternate position.

1 Claim, 4 Drawing Sheets

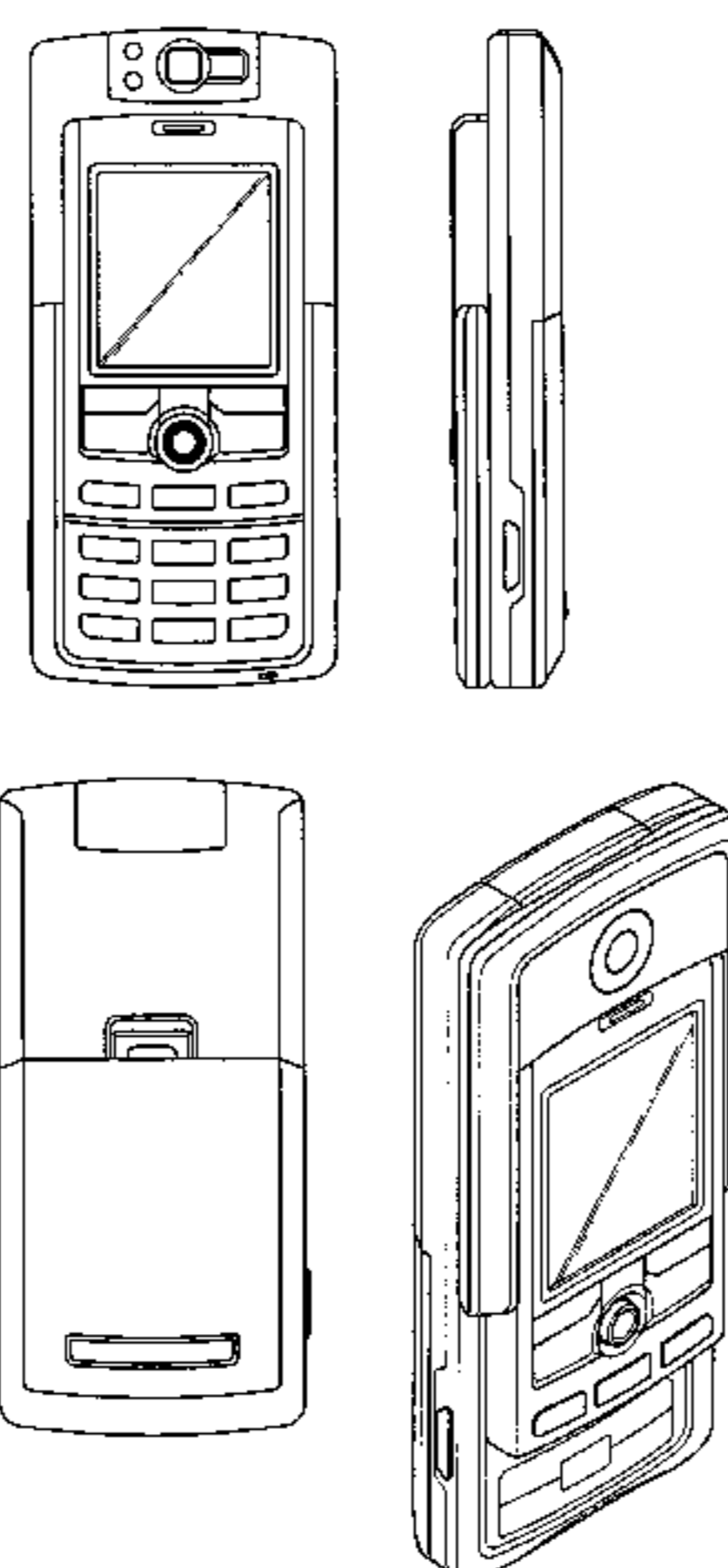


FIG. 1

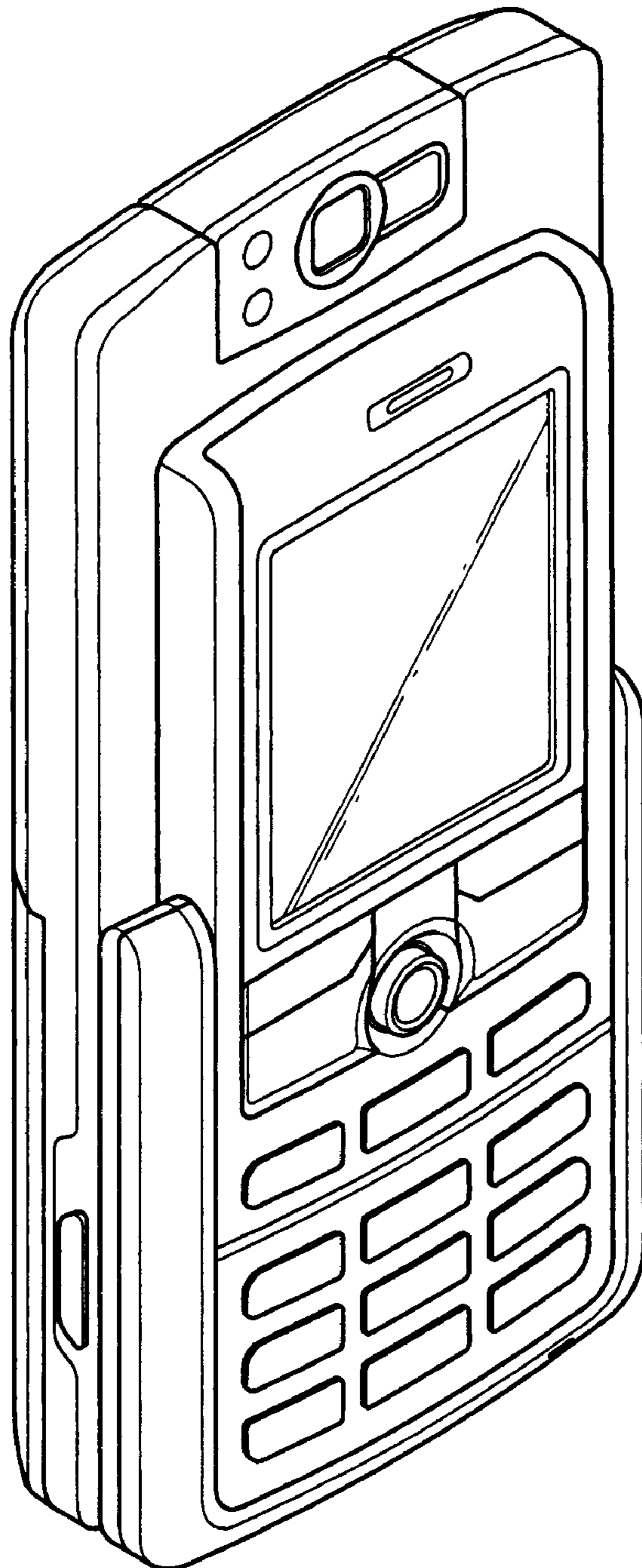


FIG. 2

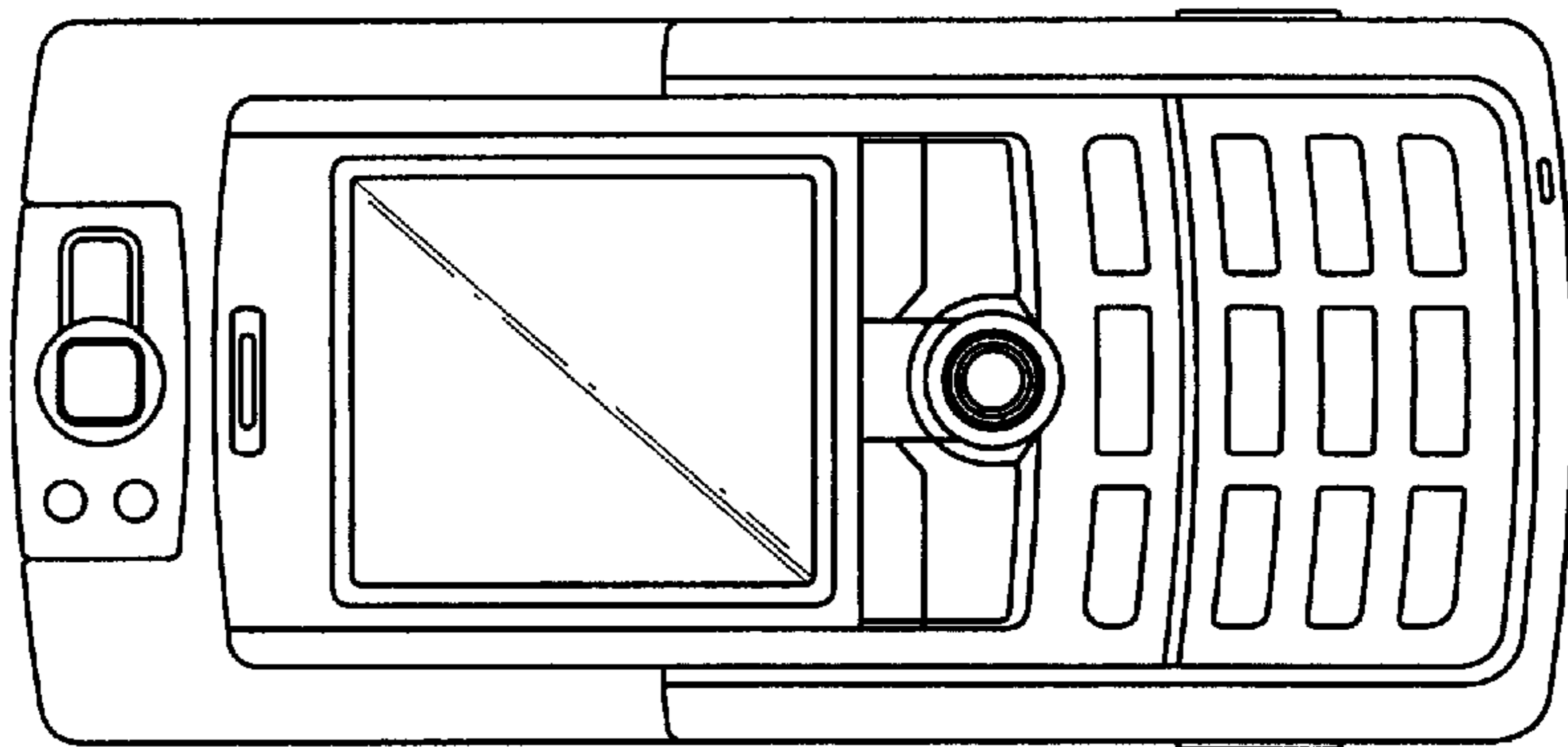


FIG. 3

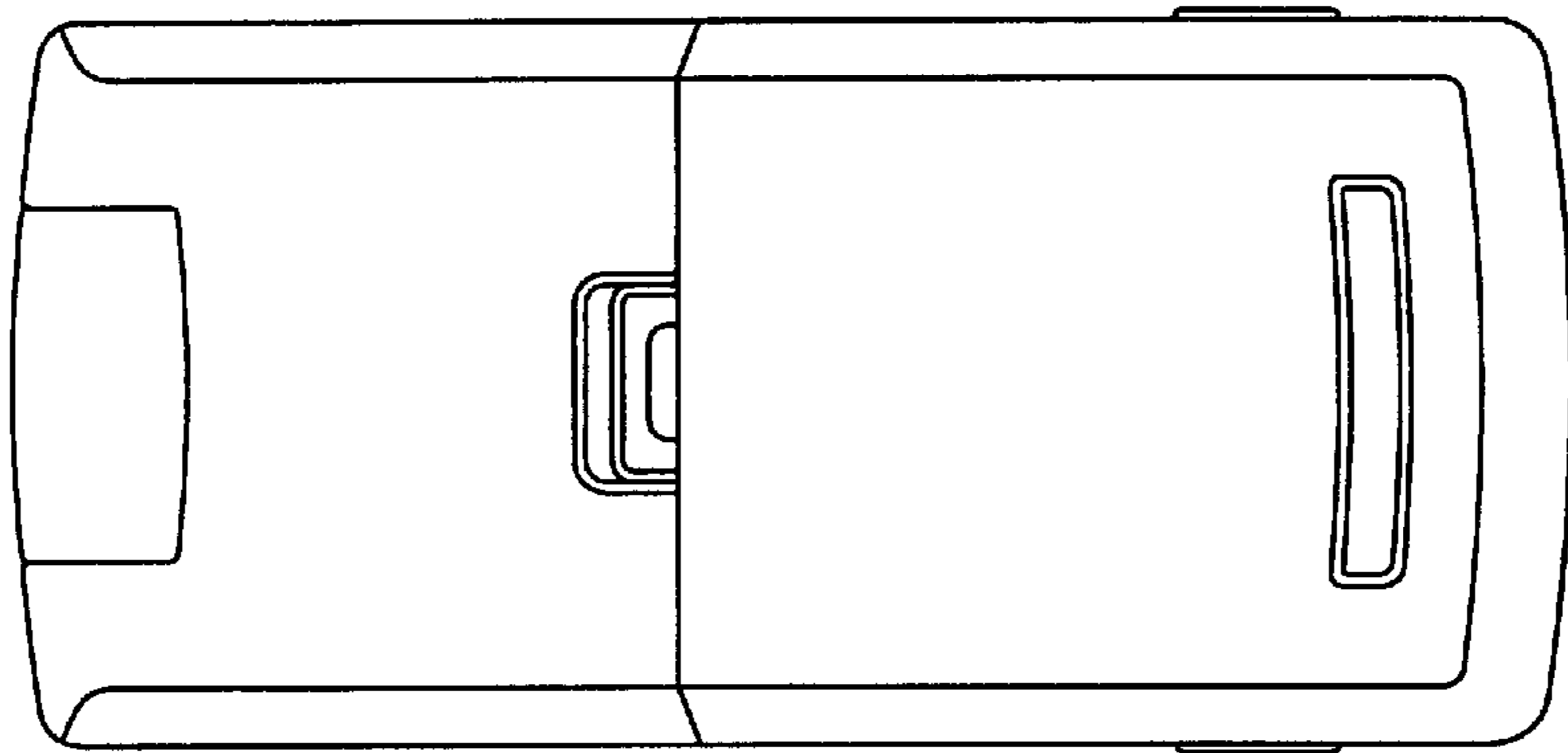


FIG. 4

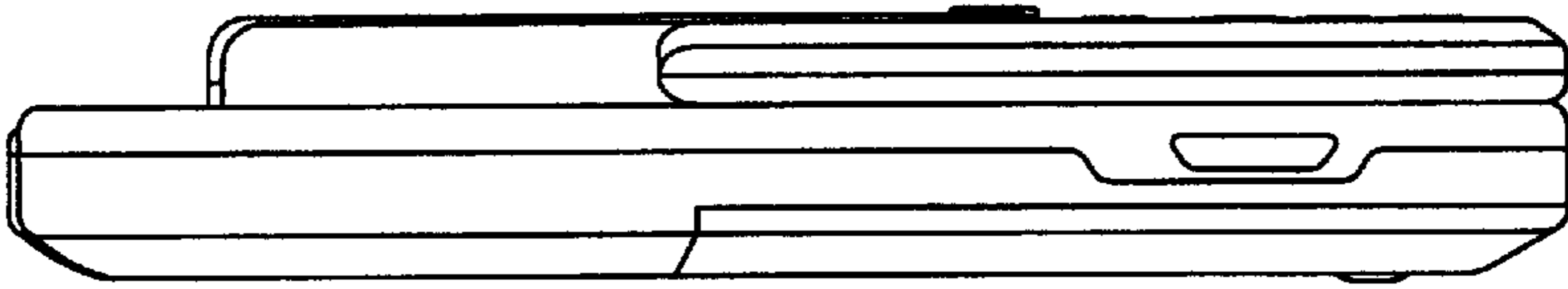


FIG. 5

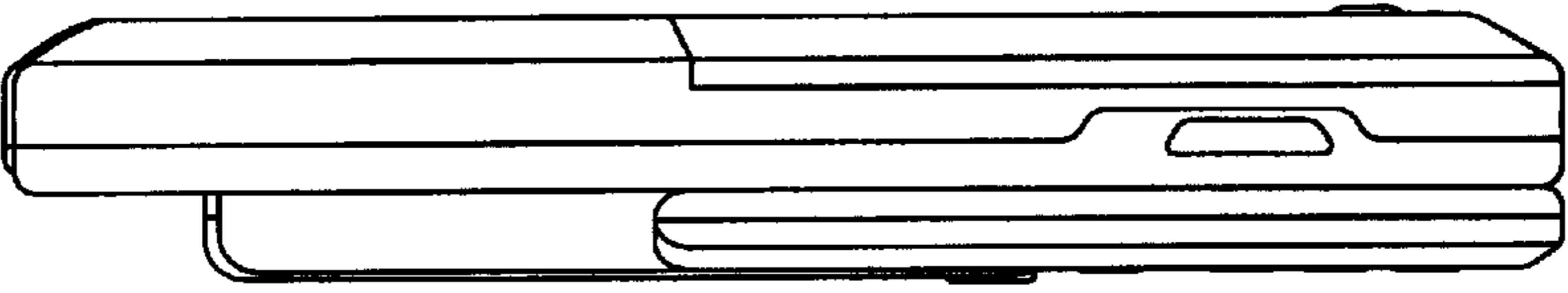


FIG. 6

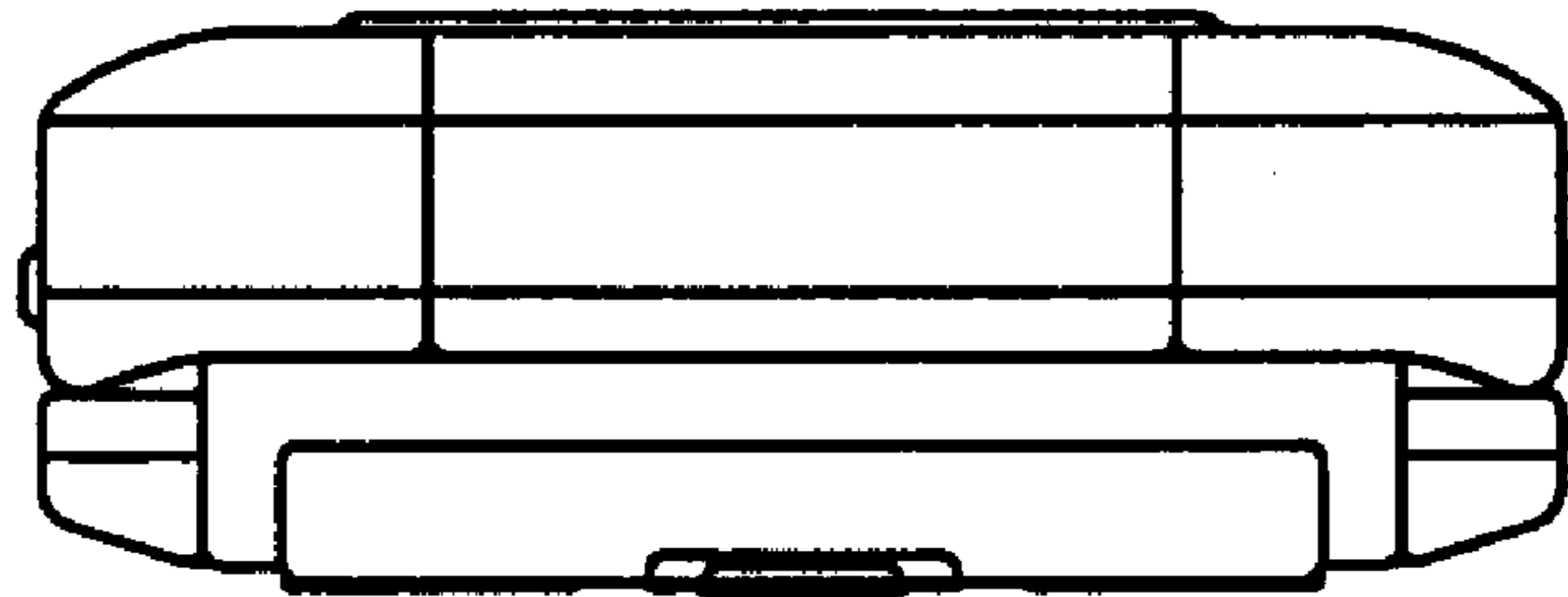


FIG. 7

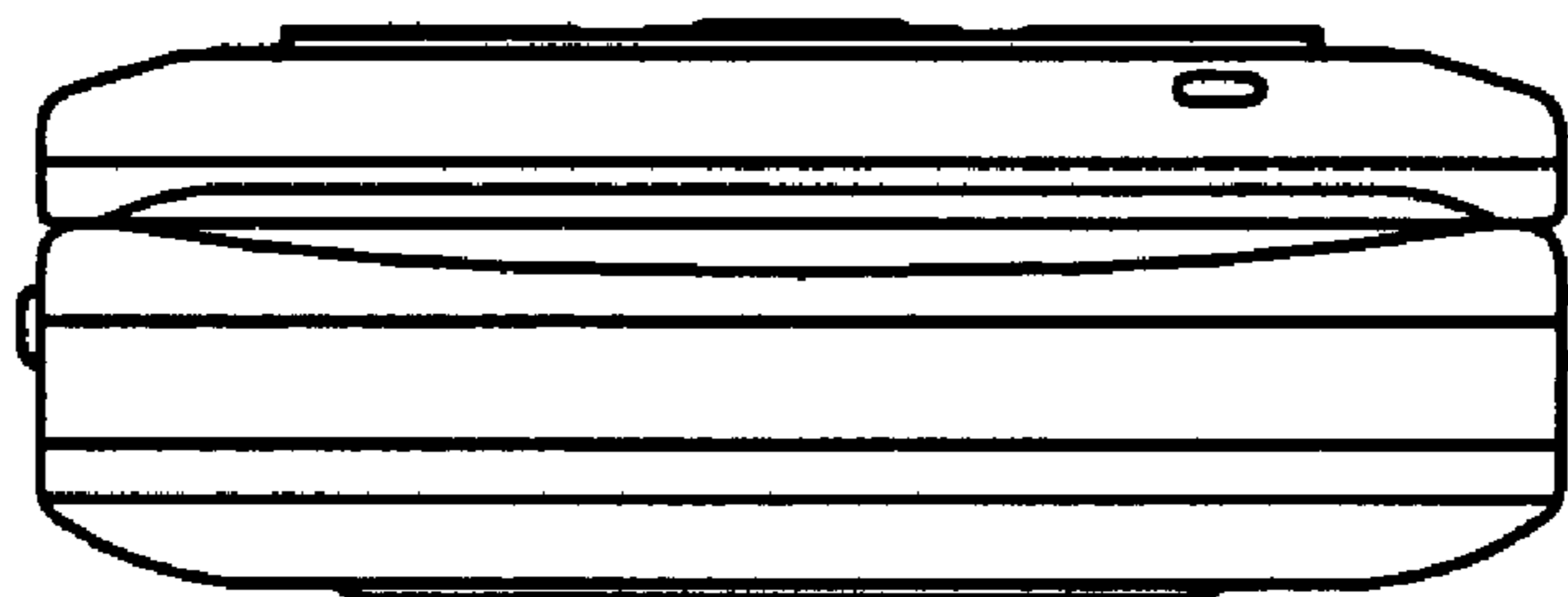


FIG. 8

