

US00D541247S

(12) **United States Design Patent** (10) **Patent No.:** **US D541,247 S**
Lee et al. (45) **Date of Patent:** **** Apr. 24, 2007**

(54) **MOBILE PHONE**

(75) Inventors: **Ja-Youn Lee**, Seoul (KR); **Bum-Soo Park**, Gwangmyeong-si (KR); **Jong-Seong Lee**, Seoul (KR); **Chang-Hwan Hwang**, Goyang-si (KR)

(73) Assignee: **Samsung Electronics Co., Ltd.**, Suwon-si (KR)

(**) Term: **14 Years**

(21) Appl. No.: **29/233,508**

(22) Filed: **Jul. 6, 2005**

(30) **Foreign Application Priority Data**

Jan. 6, 2005 (KR) 30-2005-0000363

(51) **LOC (8) Cl.** **14-03**

(52) **U.S. Cl.** **D14/138**

(58) **Field of Classification Search** D14/138,
D14/341-347, 137, 147, 218; 455/575.4,
455/90.3, 556.1, 556.2, 575.1, 575.3; 379/433.01-433.13;
361/814

See application file for complete search history.

(56) **References Cited**

U.S. PATENT DOCUMENTS

D476,303 S * 6/2003 Lee et al. D14/138
D479,514 S * 9/2003 Chan D14/138
D480,057 S * 9/2003 Ho-Cheun et al. D14/138

(Continued)

FOREIGN PATENT DOCUMENTS

WO DM/066628 * 5/2005
WO DM/067469 * 1/2006

OTHER PUBLICATIONS

Samsung i310 pictures, announced Mar. 2006, [online], [retrieved on Sep. 20, 2006]. Retrieved from Internet , <URL: http://www.gsmarena.com>.*

Samsung i300x pictures, announced 1st quarter 2006, [online], [retrieved on Sep. 28, 2006]. Retrieved from Internet, <URL: http://www.gsmarena.com>.*

NEC N150 pictures, announced 4th quarter 2004, [online], [retrieved on Sep. 28, 2006]. Retrieved from Internet , <URL: http://www.gsmarena.com>.*

Samsung i300 pictures, announced 1st quarter 2005, [online], [retrieved on Sep. 28, 2006]. Retrieved from Internet , <URL: http://www.gsmarena.com>.*

Sony Ericsson V630 pictures, announced May 2006, [online], [retrieved on Sep. 20, 2006]. Retrieved from Internet , <URL: http://www.gsmarena.com>.*

Sagem MY 800X pictures, announced Mar. 2006, [online], [retrieved on Sep. 20, 2006]. Retrieved from Internet , <URL: http://www.gsmarena.com>.*

Sharp GX15/GZ100 pictures, announced 2004, [online], [retrieved on Sep. 20, 2006]. Retrieved from Internet , <URL: http://www.gsmarena.com>.*

Primary Examiner—Jeffrey Asch
Assistant Examiner—Bridget L. Eland
(74) *Attorney, Agent, or Firm*—Staas & Halsey LLP

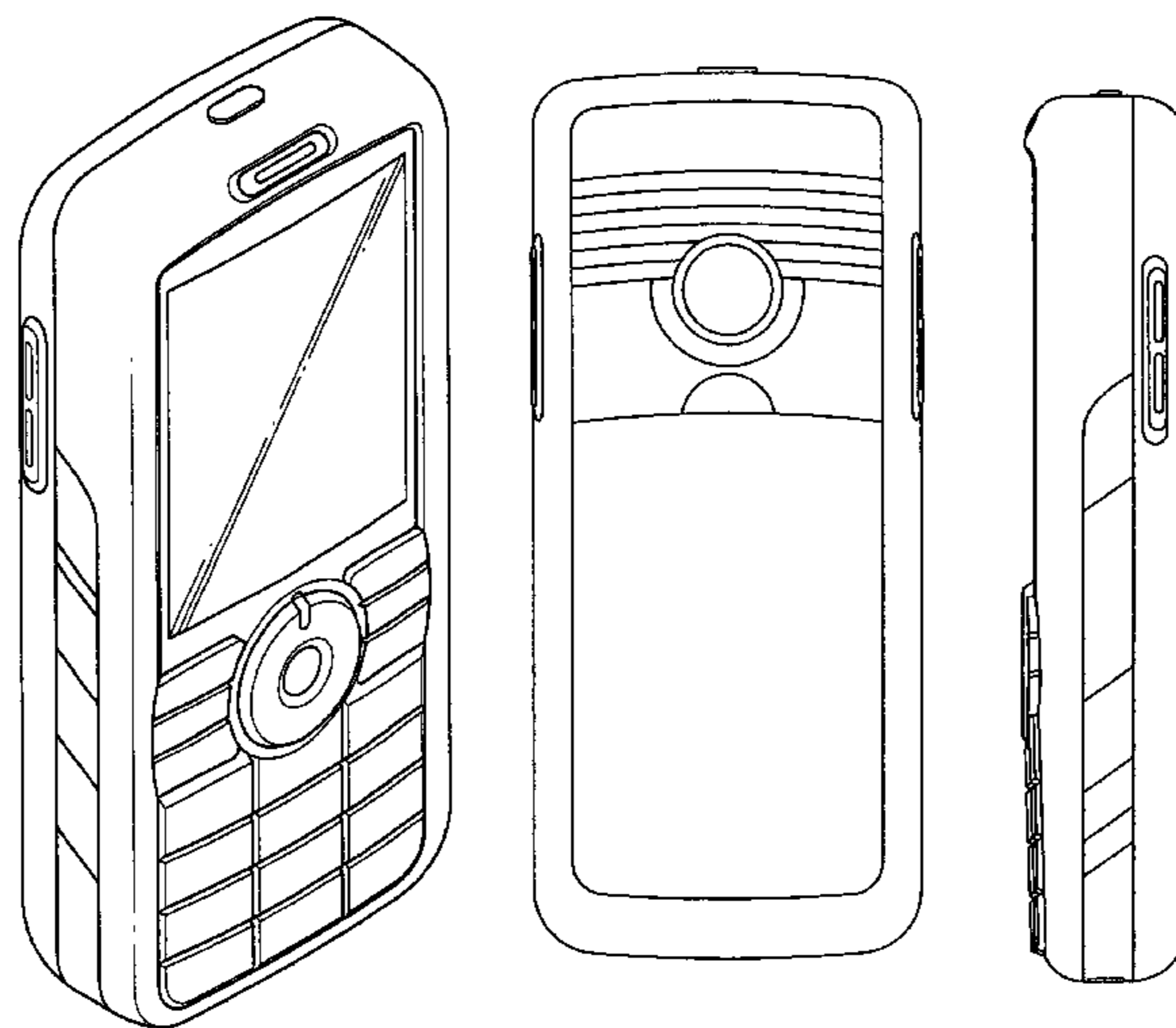
(57) **CLAIM**

The ornamental design for the mobile phone, as shown and described.

DESCRIPTION

FIG. 1 is a perspective view of a mobile phone;
FIG. 2 is a front view of the mobile phone of FIG. 1;
FIG. 3 is a rear view of the mobile phone of FIG. 1;
FIG. 4 is a left side view of the mobile phone of FIG. 1;
FIG. 5 is a right side view of the mobile phone of FIG. 1;
FIG. 6 is a top plan view of the mobile phone of FIG. 1; and,
FIG. 7 is a bottom plan view of the mobile phone of FIG. 1.

1 Claim, 3 Drawing Sheets



US D541,247 S

Page 2

U.S. PATENT DOCUMENTS

D485,819 S	*	1/2004	Ahlgren	D14/138	7,069,061 B2	*	6/2006	Gammon et al.	455/575.1
D488,789 S	*	4/2004	Lee	D14/138	D524,280 S	*	7/2006	Julian	D14/147
D492,276 S	*	6/2004	Walliser et al.	D14/138	D524,781 S	*	7/2006	Lyles	D14/138
D496,642 S	*	9/2004	Harries et al.	D14/138	D525,228 S	*	7/2006	Kim et al.	D14/138
D496,921 S	*	10/2004	Hwang	D14/138	D528,532 S	*	9/2006	Dimitriadis et al.	D14/138
D513,741 S	*	1/2006	Jensfelt	D14/138	7,102,620 B2	*	9/2006	Harries et al.	345/169
D514,538 S	*	2/2006	Chan et al.	D14/138	2004/0185923 A1	*	9/2004	Park et al.	455/575.1
D515,533 S	*	2/2006	Yano	D14/138	2005/0119031 A1	*	6/2005	Spalink et al.	455/566
D515,541 S	*	2/2006	Jensfelt	D14/138					

* cited by examiner

FIG. 1

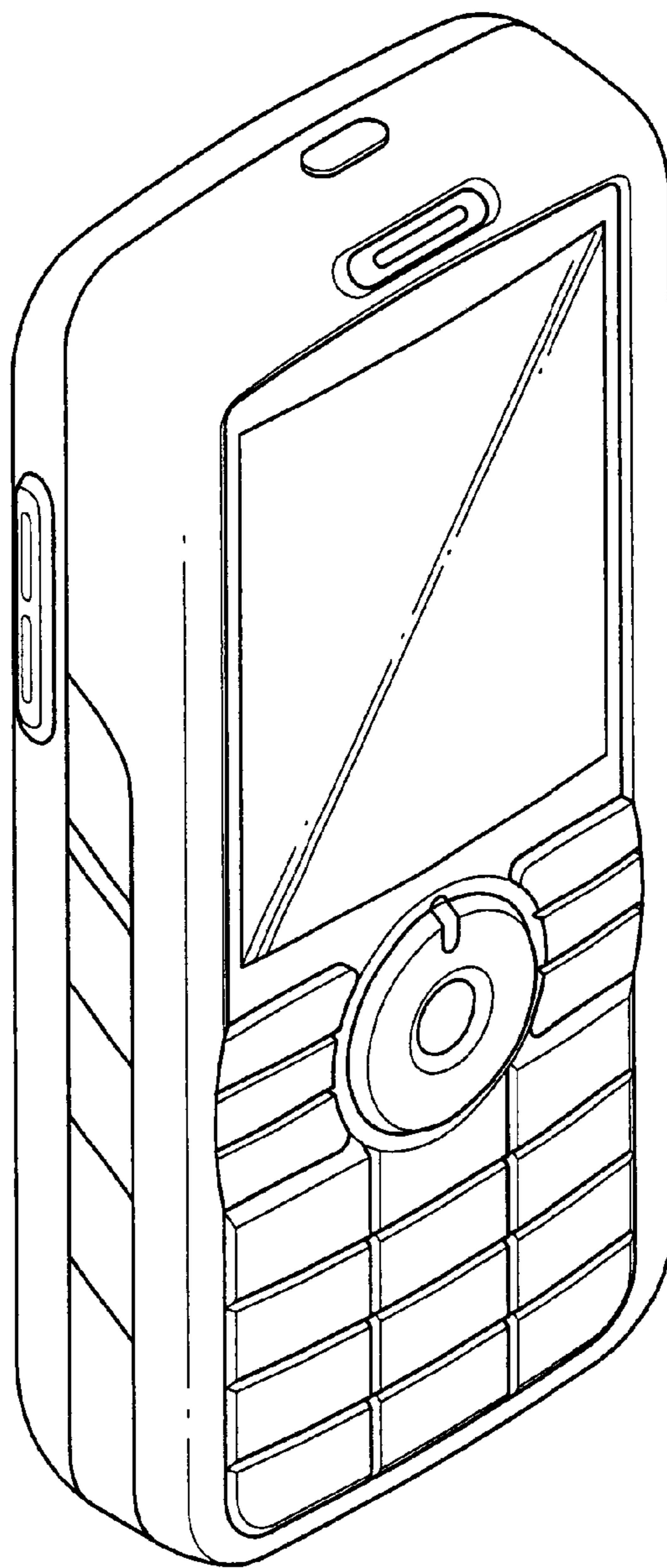


FIG. 2

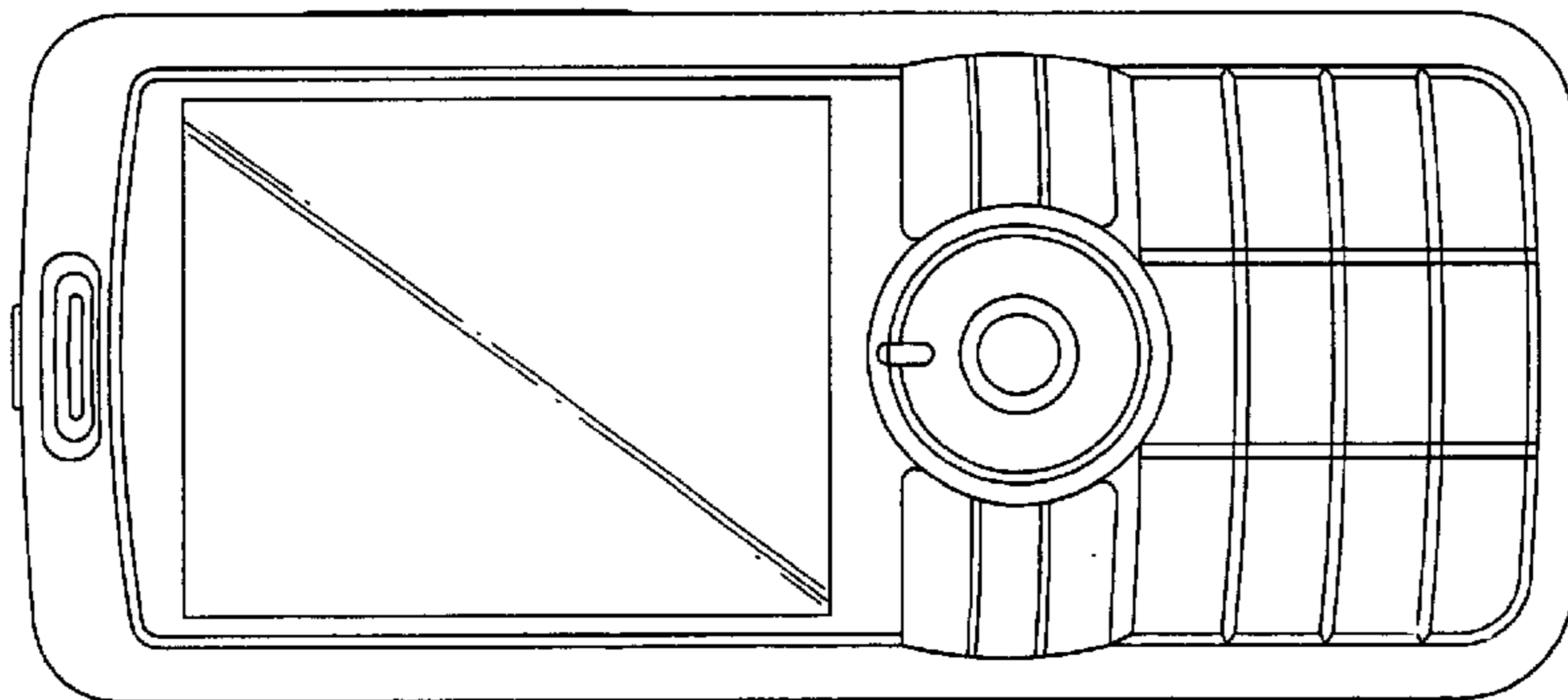


FIG. 3

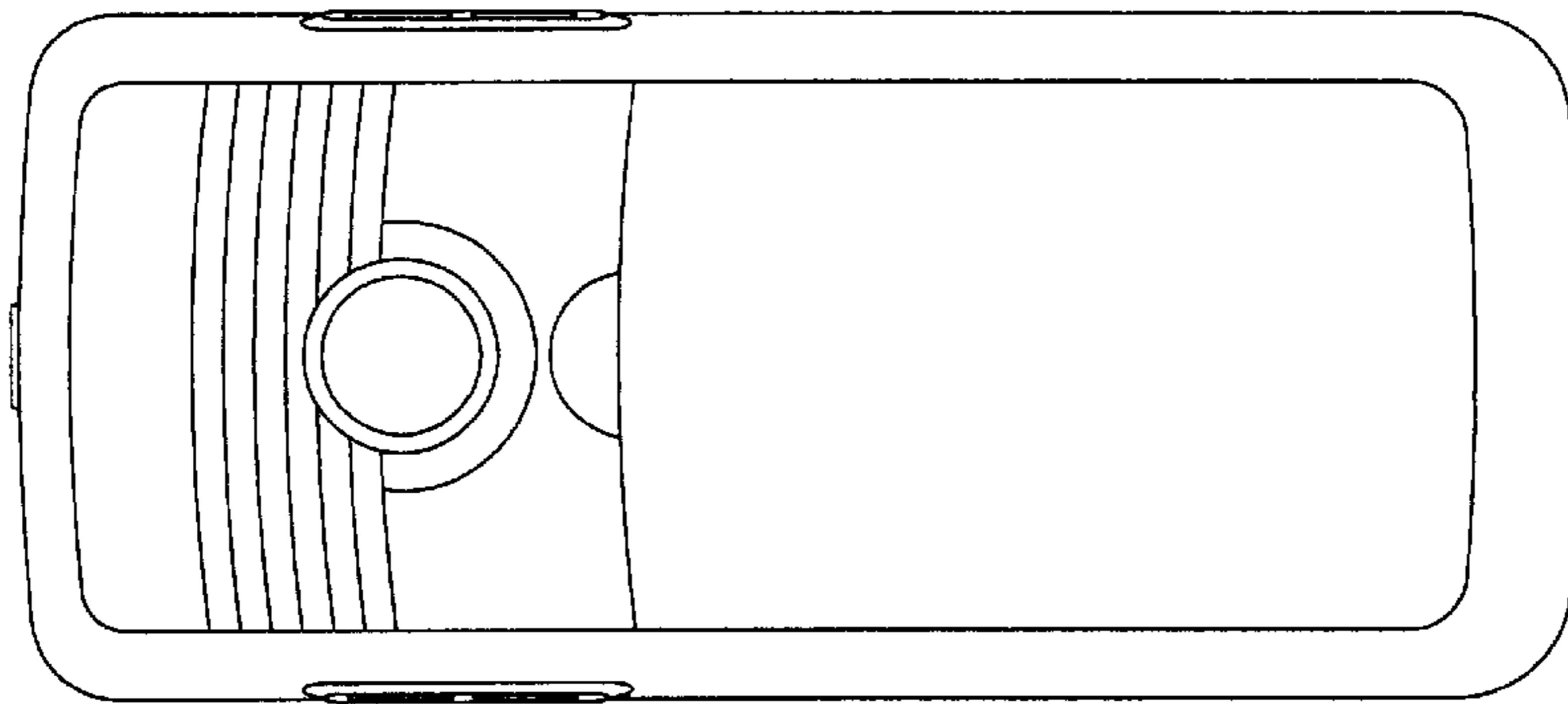


FIG. 4

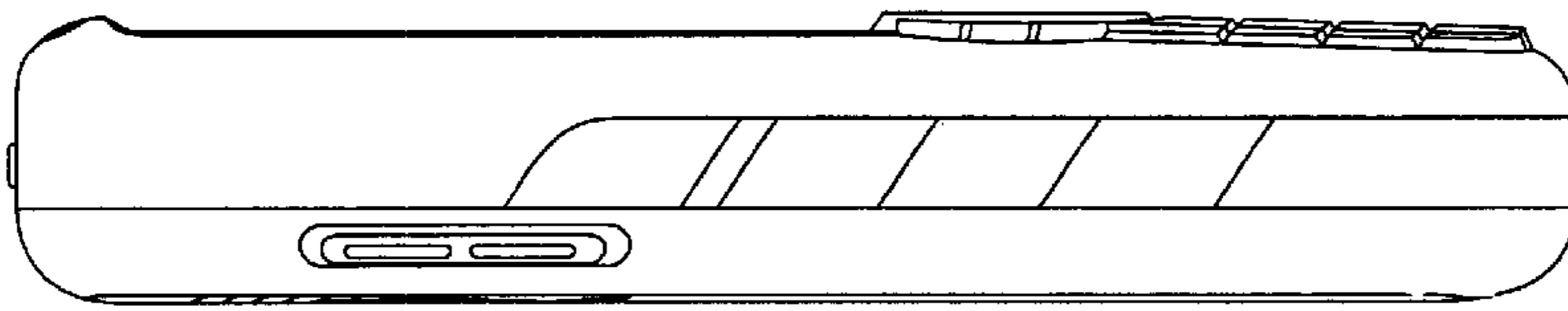


FIG. 5

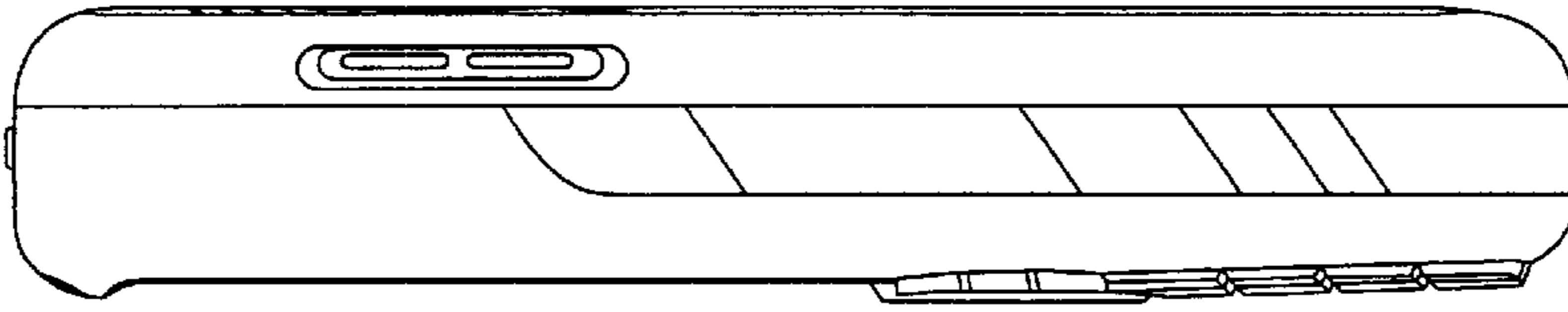


FIG. 6

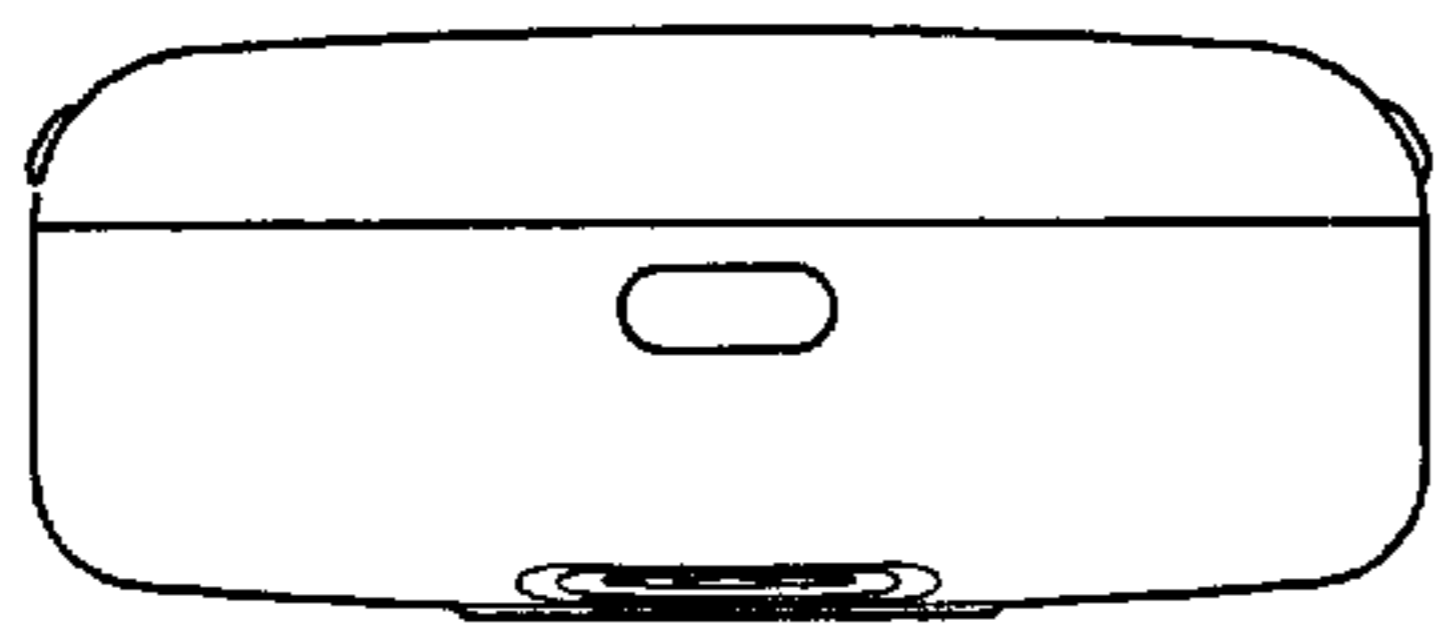


FIG. 7

