

US00D541244S

(12) **United States Design Patent**
Krieger et al.

(10) **Patent No.:** **US D541,244 S**

(45) **Date of Patent:** **** Apr. 24, 2007**

(54) **TV RADIO**

7,050,124 B2 * 5/2006 Schedivy 348/838

(75) Inventors: **Michael Krieger**, Miami Beach, FL (US); **Kevin Ellsworth**, Alva, FL (US)

OTHER PUBLICATIONS

Hammacher Schlemmer catalog, p. 55, 2003.*

(73) Assignee: **Venable LLP**, Ft. Lauderdale, FL (US)

* cited by examiner

(**) Term: **14 Years**

Primary Examiner—Raphael Barkai

(21) Appl. No.: **29/241,675**

(74) *Attorney, Agent, or Firm*—Venable LLP; Robert Kinberg

(22) Filed: **Nov. 1, 2005**

(57) **CLAIM**

(51) **LOC (8) Cl.** **14-03**

The ornamental design for a TV radio, as shown and described.

(52) **U.S. Cl.** **D14/131**

(58) **Field of Classification Search** D14/125–134, D14/239, 371, 136, 374–377; 312/7.2; 348/836, 348/838, 180, 184, 325, 739; 341/12; 248/917–924, 248/465; 345/104, 133, 156, 168, 87, 173; 720/605, 669, 600, 655; 369/99, 197; 455/344–347
See application file for complete search history.

DESCRIPTION

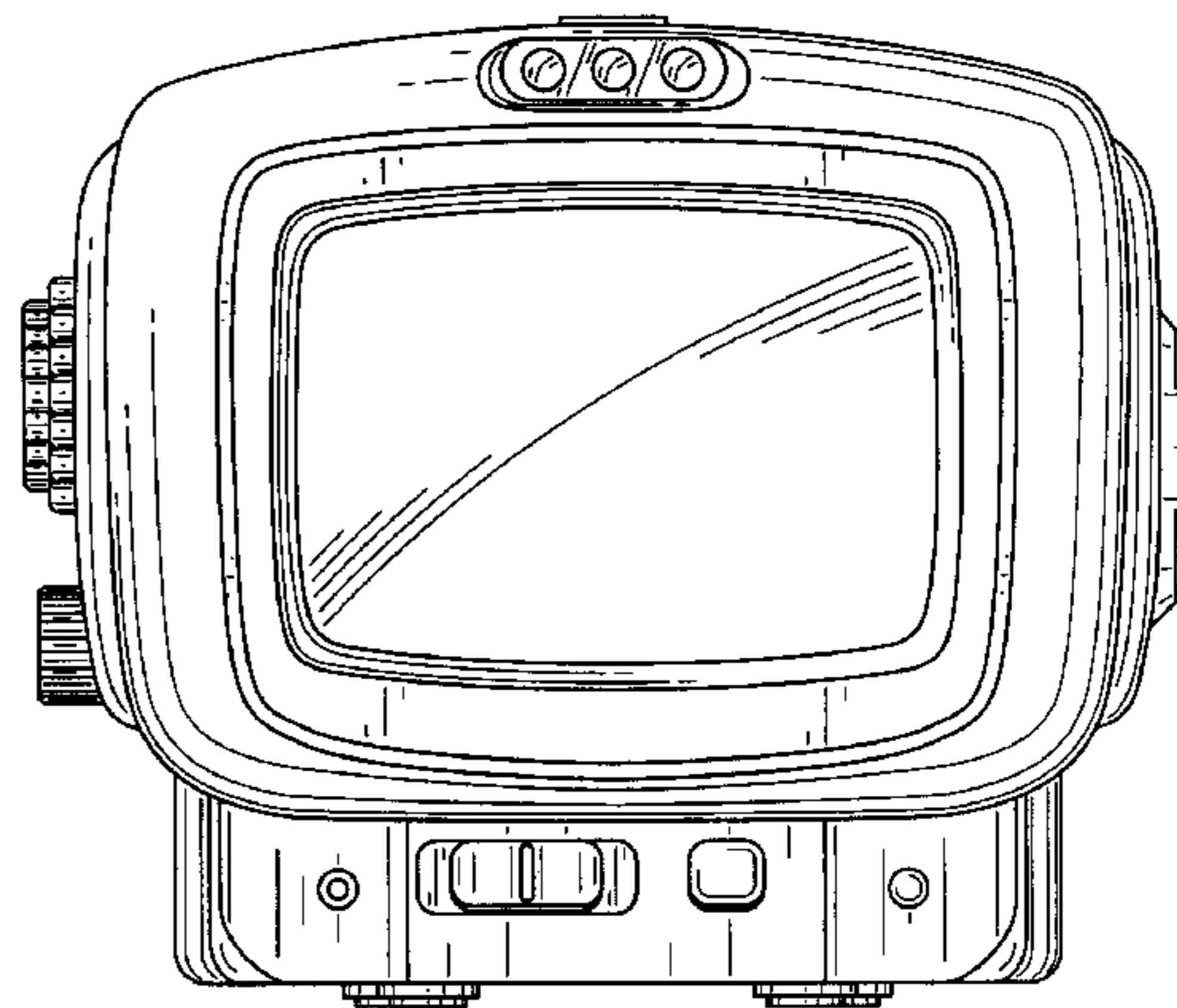
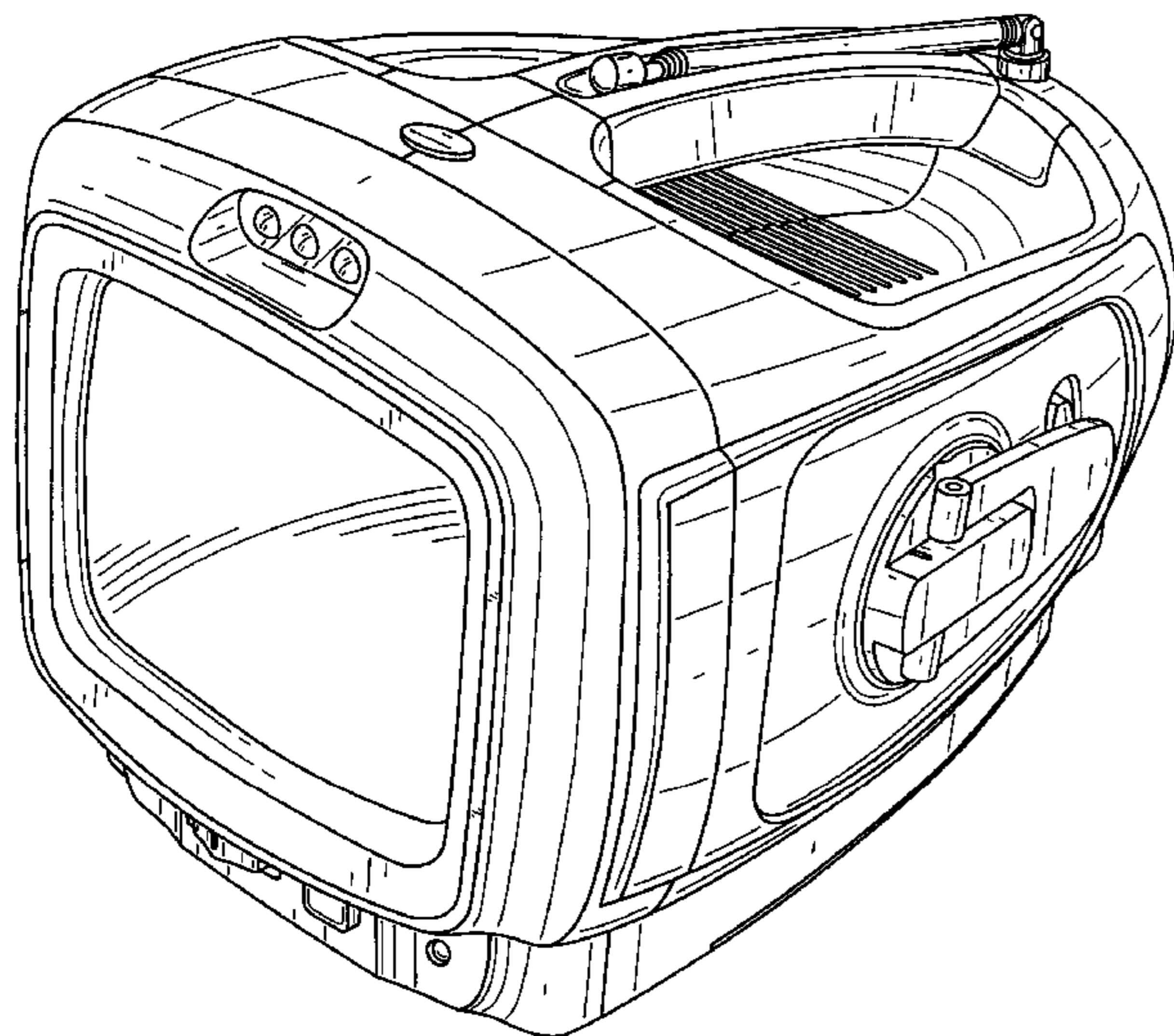
FIG. 1 is a perspective view from the front-top-right side of the TV radio showing our new design; FIG. 2 is a front view of the design shown in FIG. 1; FIG. 3 is a rear view of the design shown in FIG. 1; FIG. 4 is a left side view of the design shown in FIG. 1; FIG. 5 is a right side view of the design shown in FIG. 1; FIG. 6 is a top view of the design shown in FIG. 1; and, FIG. 7 is a bottom view of the design shown in FIG. 1.

(56) **References Cited**

U.S. PATENT DOCUMENTS

D256,363 S * 8/1980 Uchiyama D14/131
D310,832 S * 9/1990 Gioscia et al. D14/126
D488,140 S * 4/2004 Hanselman et al. D14/129

1 Claim, 7 Drawing Sheets



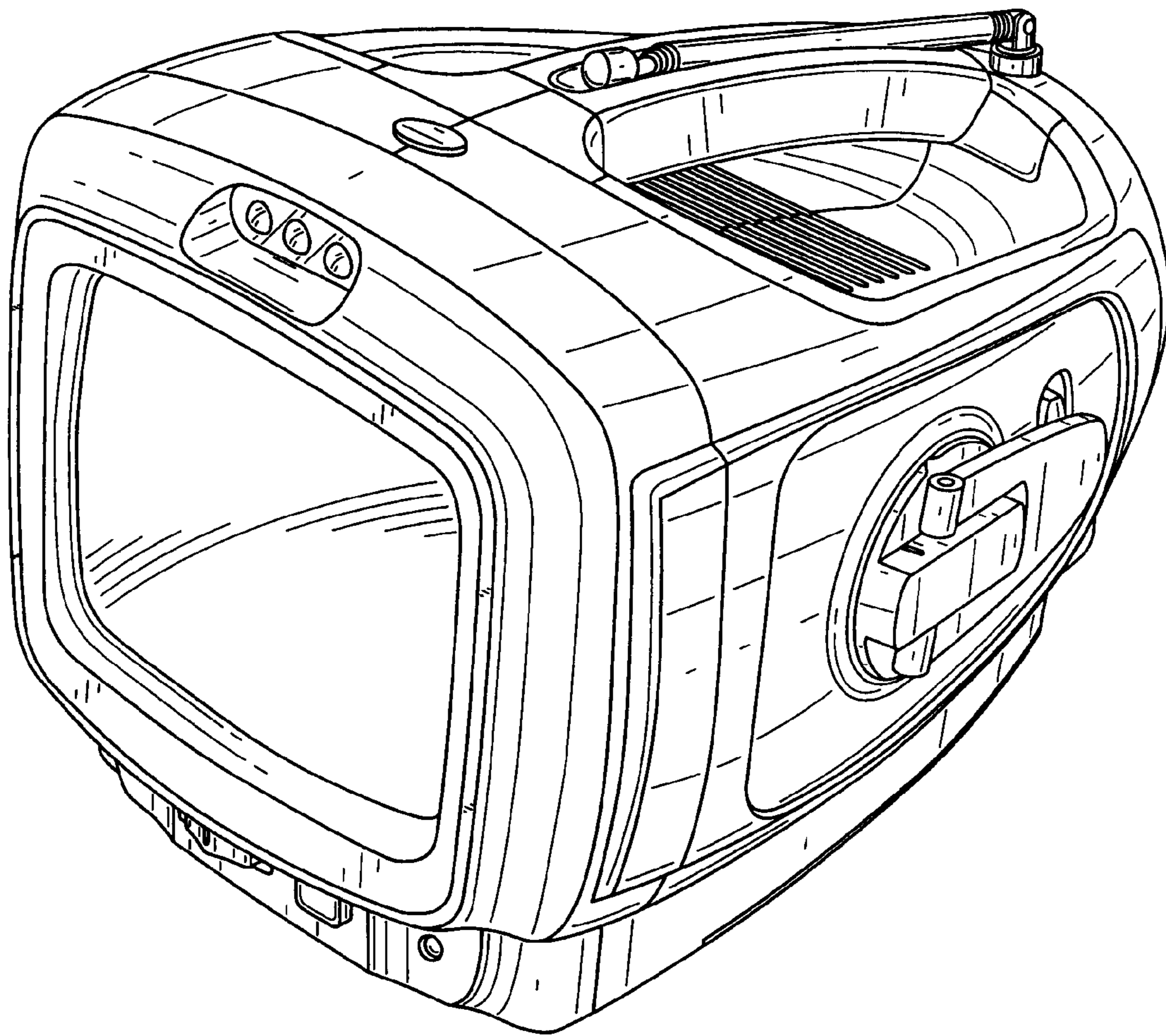


FIG. 1

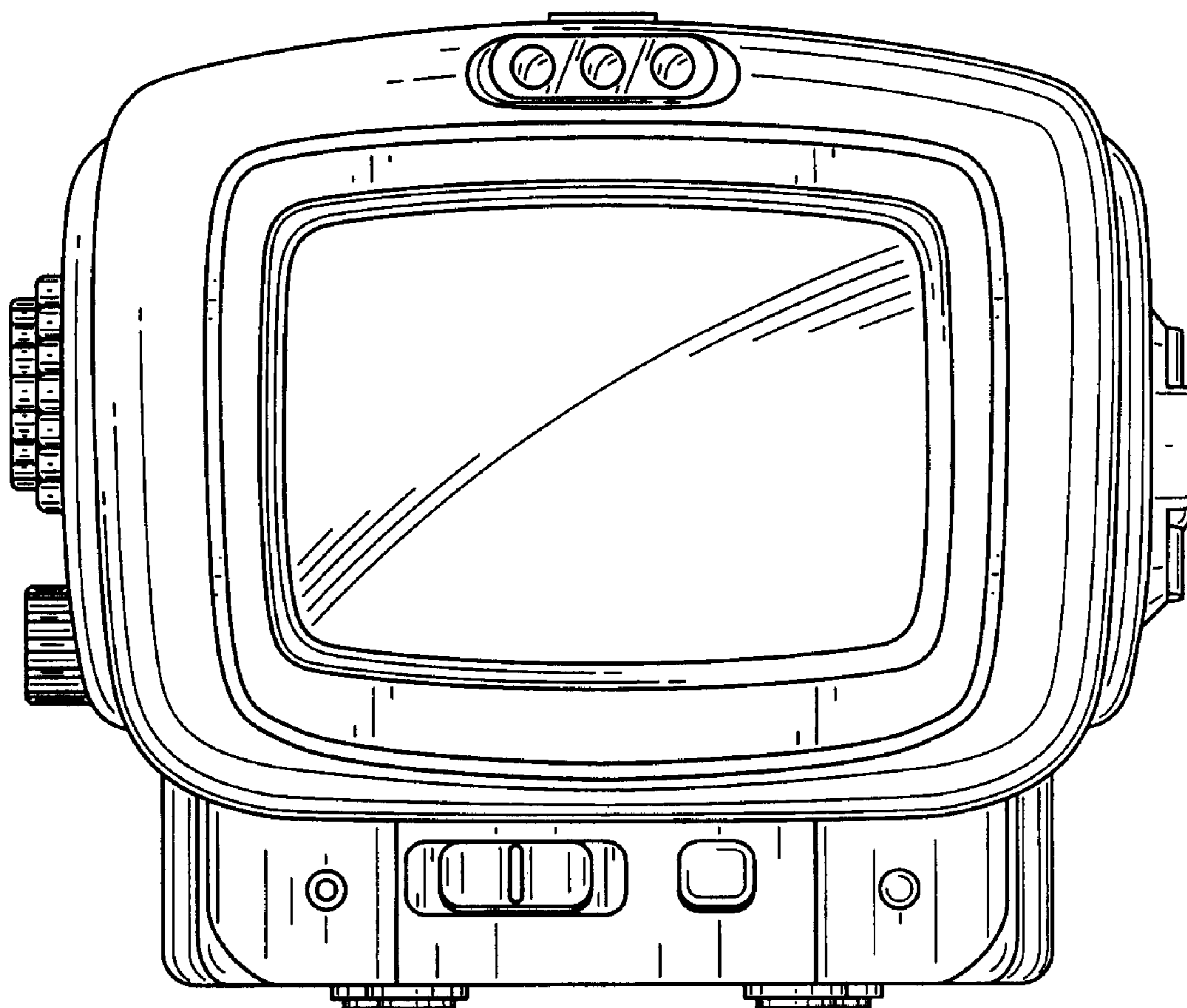


FIG. 2

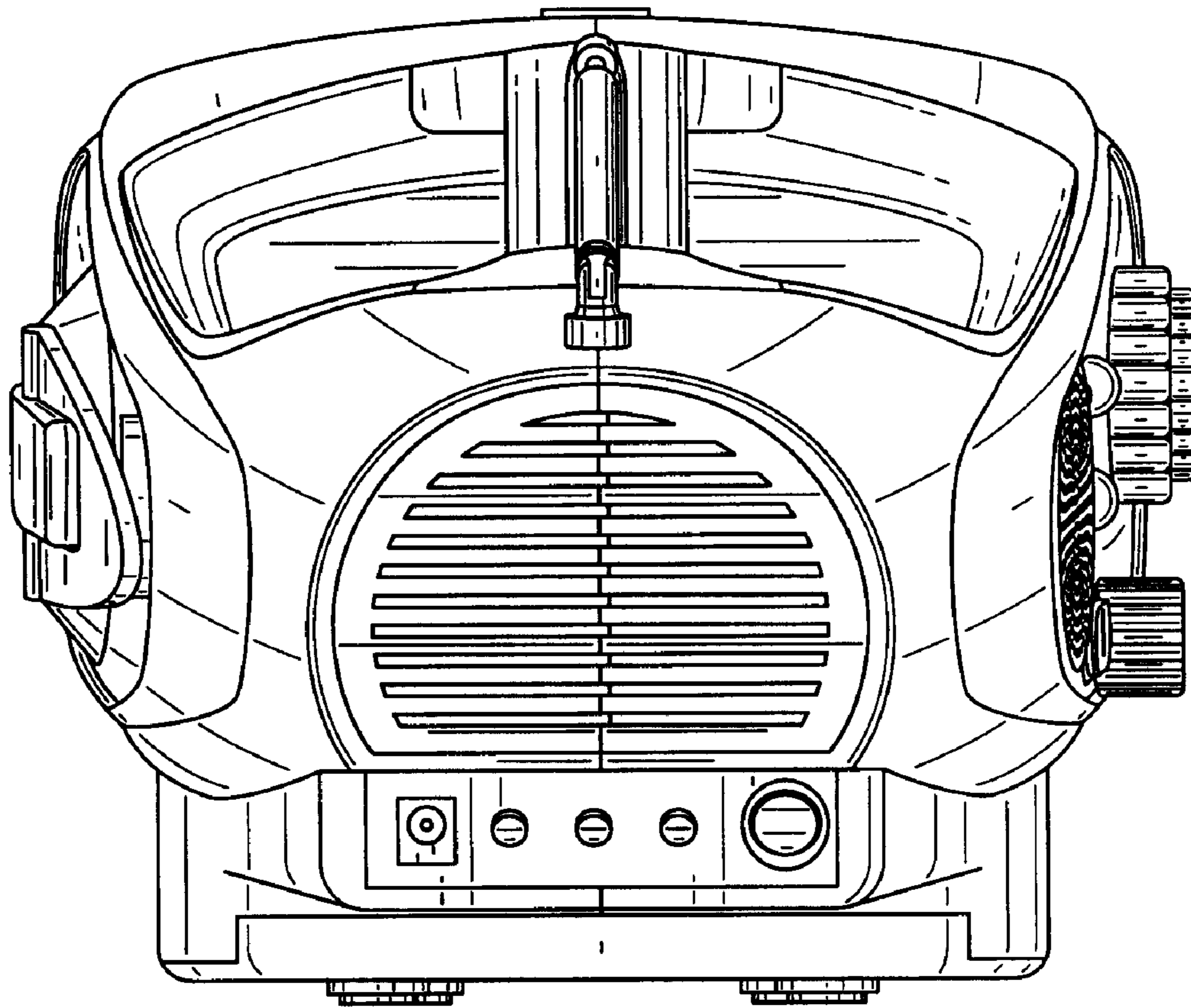


FIG. 3

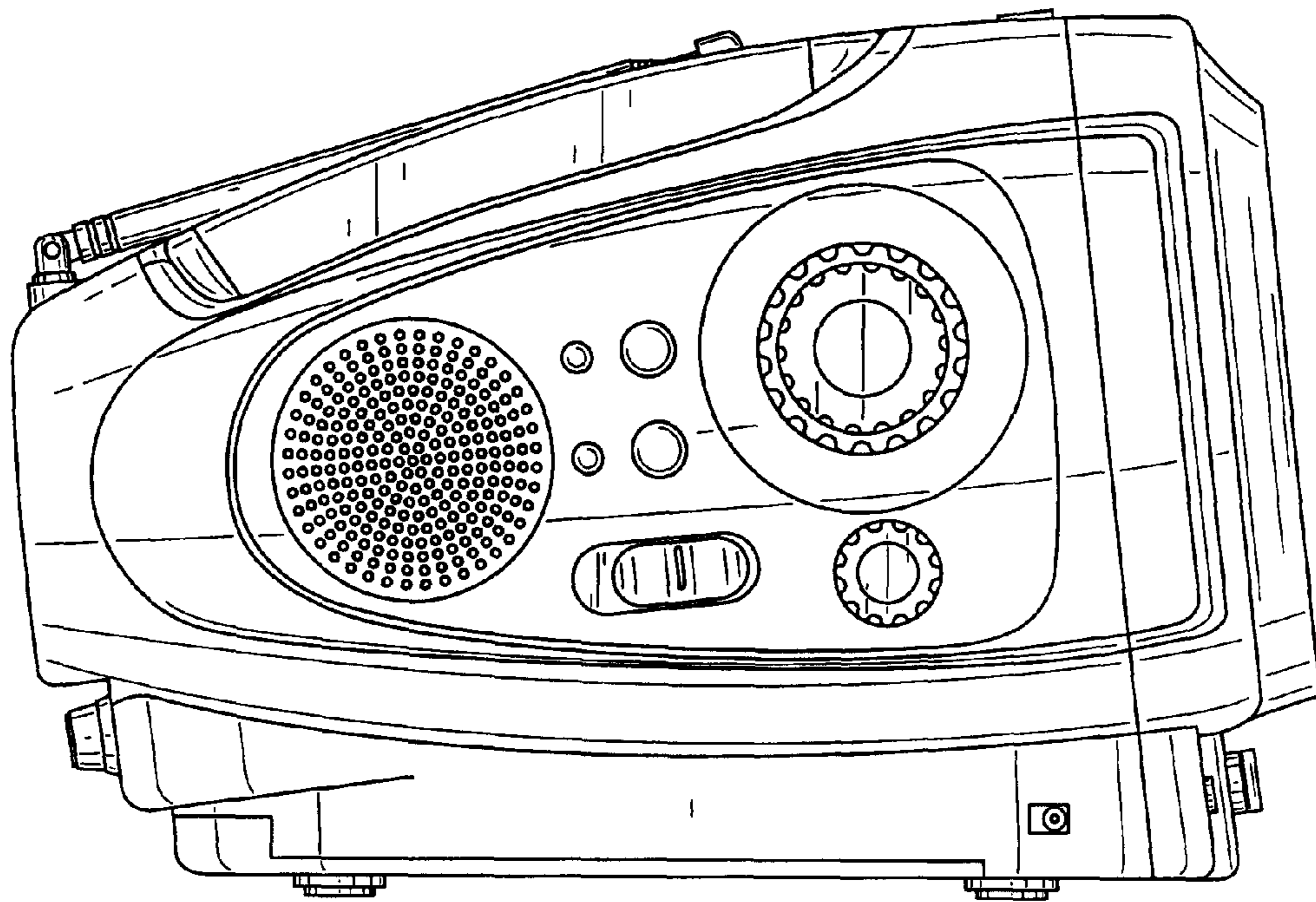


FIG. 4

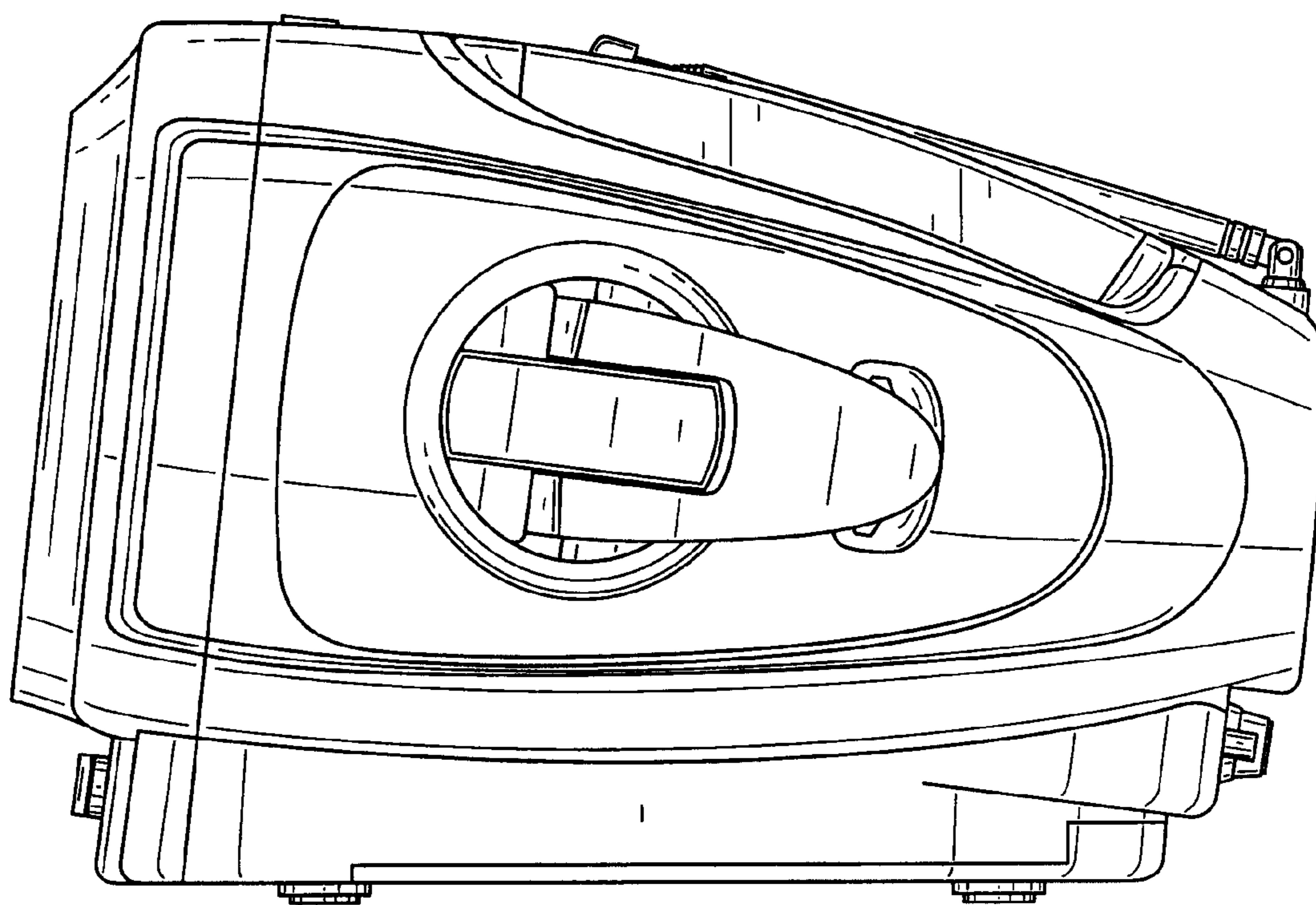


FIG. 5

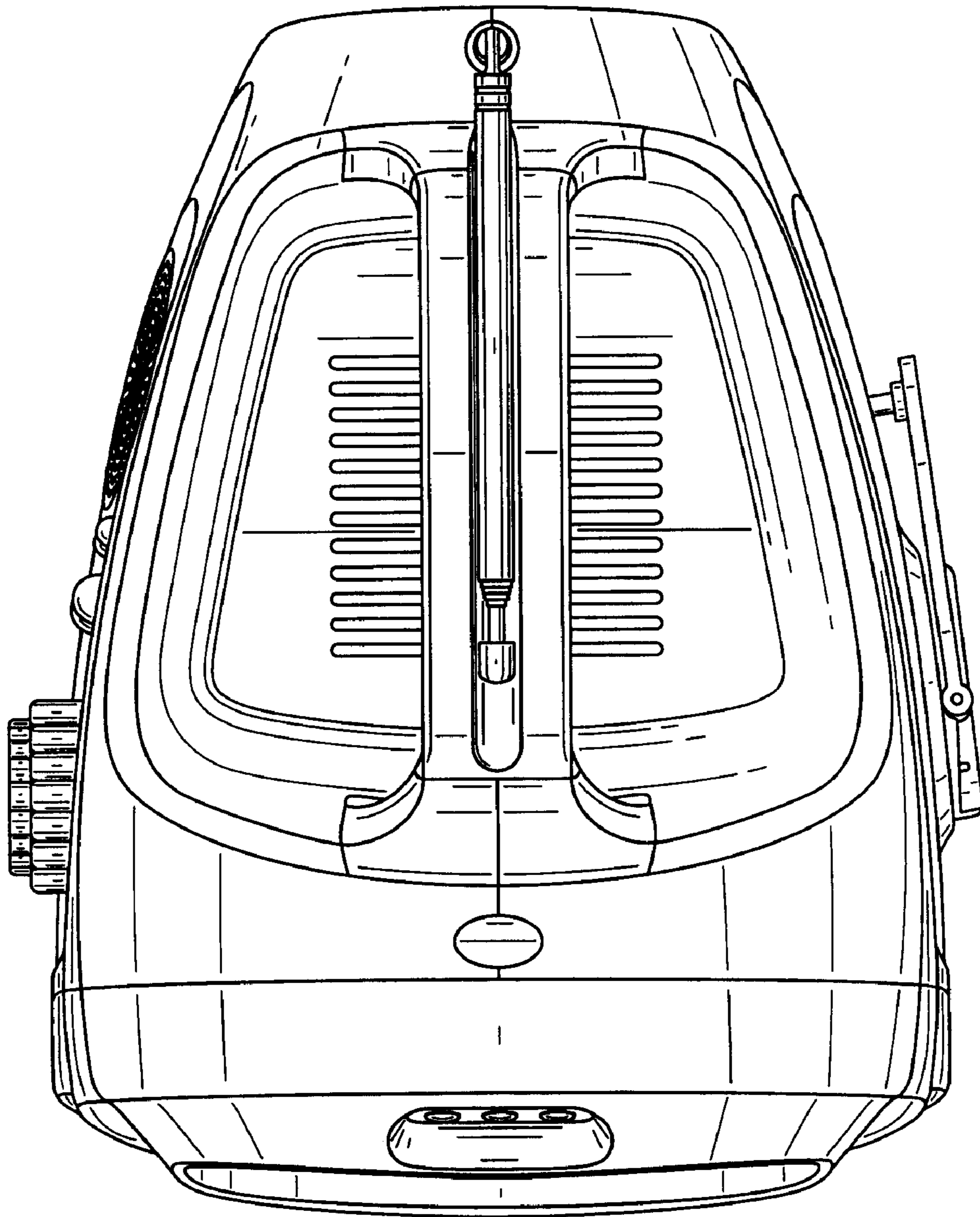


FIG. 6

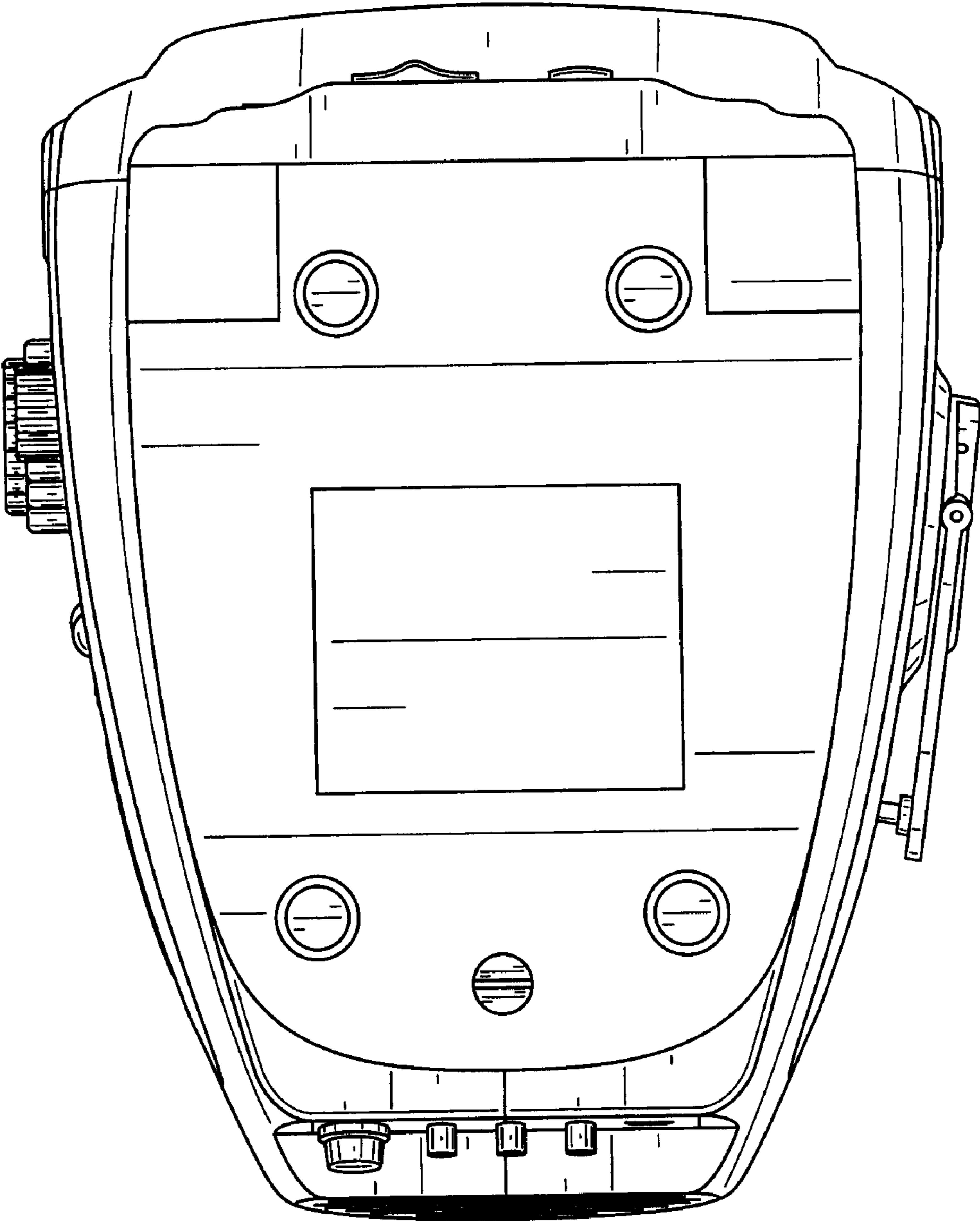


FIG. 7

UNITED STATES PATENT AND TRADEMARK OFFICE
CERTIFICATE OF CORRECTION

PATENT NO. : Des. 541,244 S
APPLICATION NO. : 29/241675
DATED : April 24, 2007
INVENTOR(S) : Krieger et al.

Page 1 of 1

It is certified that error appears in the above-identified patent and that said Letters Patent is hereby corrected as shown below:

On the Title Page, section (73):

Please replace ~~Venable LLP, Ft. Lauderdale, FL (US)~~ with Vector Products, Inc.,
Plantation, FL (US)

Signed and Sealed this

Twenty-sixth Day of February, 2008



JON W. DUDAS

Director of the United States Patent and Trademark Office