

US00D541242S

(12) **United States Design Patent**  
**Park et al.**

(10) **Patent No.:** **US D541,242 S**

(45) **Date of Patent:** **\*\* Apr. 24, 2007**

(54) **TELEVISION SET**

D497,599 S \* 10/2004 Kita ..... D14/126  
D514,534 S \* 2/2006 Yoo et al. .... D14/128

(75) Inventors: **Sun Ha Park**, Seoul (KR); **Yoo Jung Ahn**, Seoul (KR)

\* cited by examiner

(73) Assignee: **LG Electronics Inc.**, Seoul (KR)

*Primary Examiner*—Raphael Barkai

(\*\*) Term: **14 Years**

(74) *Attorney, Agent, or Firm*—Birch, Stewart, Kolasch & Birch, LLP

(21) Appl. No.: **29/232,495**

(57) **CLAIM**

(22) Filed: **Jun. 21, 2005**

The ornamental design for a television set, as shown.

(30) **Foreign Application Priority Data**

**DESCRIPTION**

Dec. 21, 2004 (KR) ..... 30-2004-0039258

(51) **LOC (8) Cl.** ..... **14-03**

FIG. 1 is a front, left perspective view of the television set showing our new design;

(52) **U.S. Cl.** ..... **D14/128**

FIG. 2 is a front view thereof;

(58) **Field of Classification Search** ..... D14/125-134,  
D14/239, 371, 136, 374-377; 312/7.2; 348/836,  
348/838, 180, 184, 325, 739; 341/12; 248/917-924,  
248/465; 345/104, 133, 156, 168, 87, 173;  
720/605, 669, 600, 655; 369/99, 197; 455/344-347  
See application file for complete search history.

FIG. 3 is a rear view thereof;

FIG. 4 is a left side view thereof;

FIG. 5 is a right side view thereof;

FIG. 6 is a top view thereof; and,

FIG. 7 is a bottom view thereof.

(56) **References Cited**

**U.S. PATENT DOCUMENTS**

D455,129 S \* 4/2002 Niitsu ..... D14/126

**1 Claim, 7 Drawing Sheets**

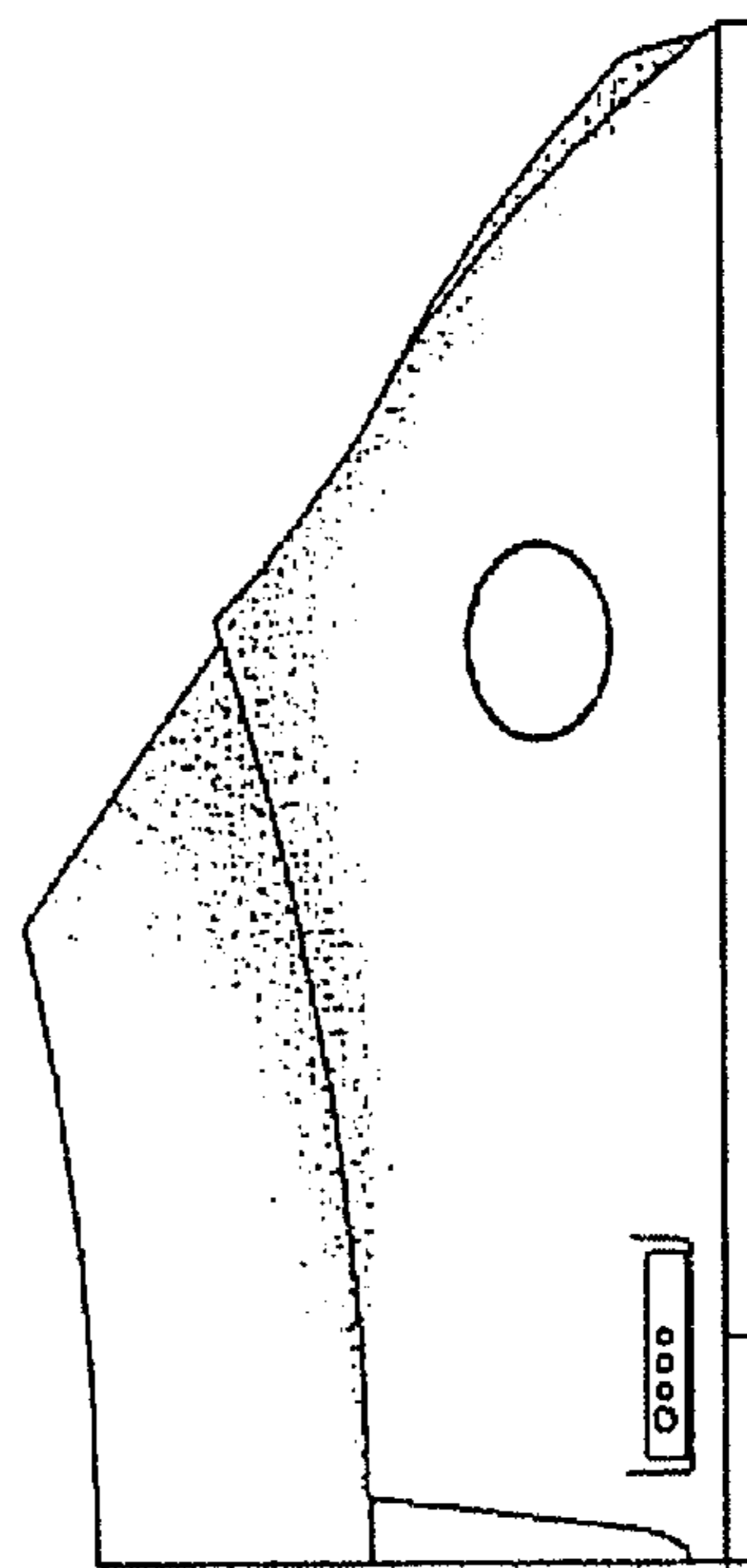
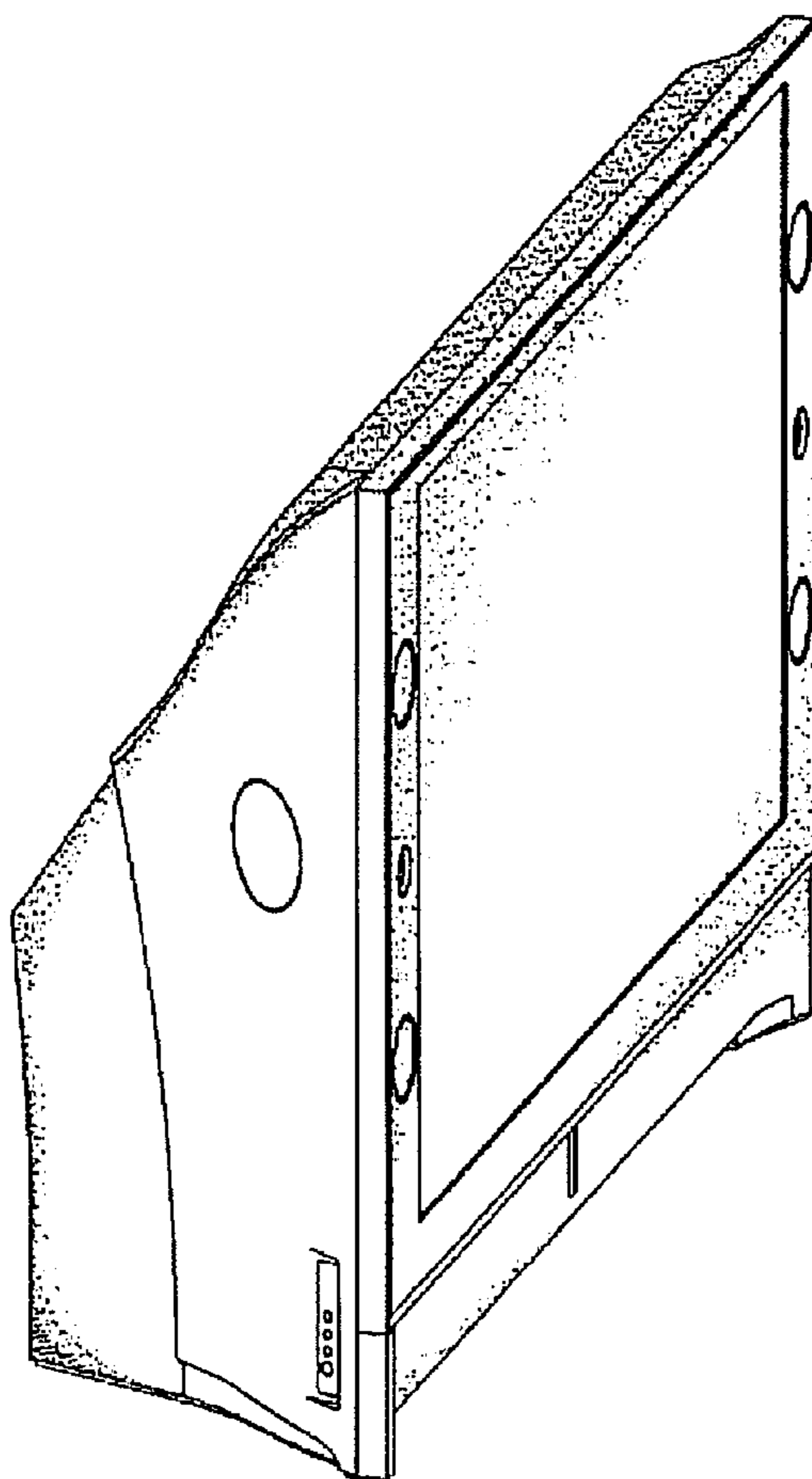


Fig. 1

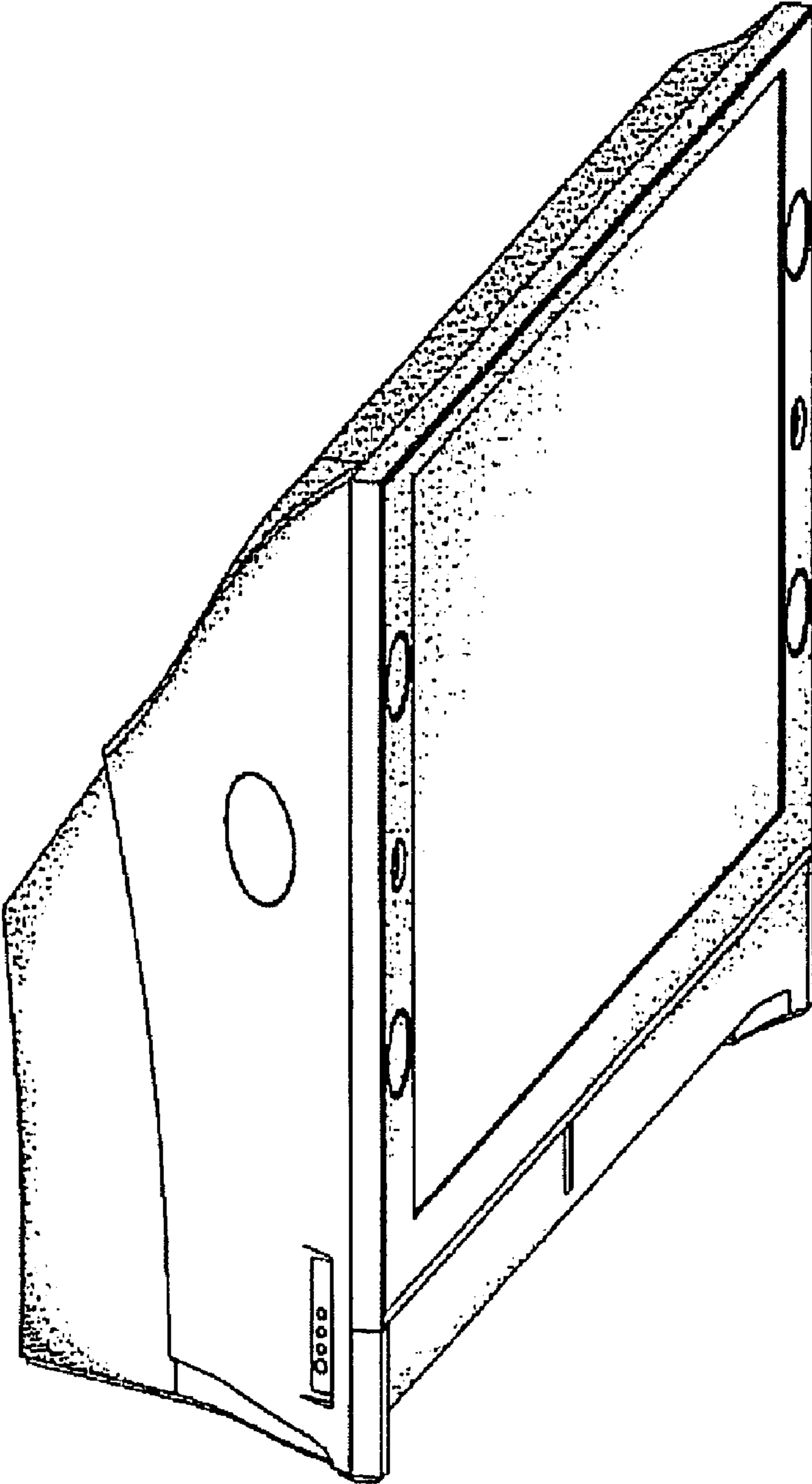


Fig. 2

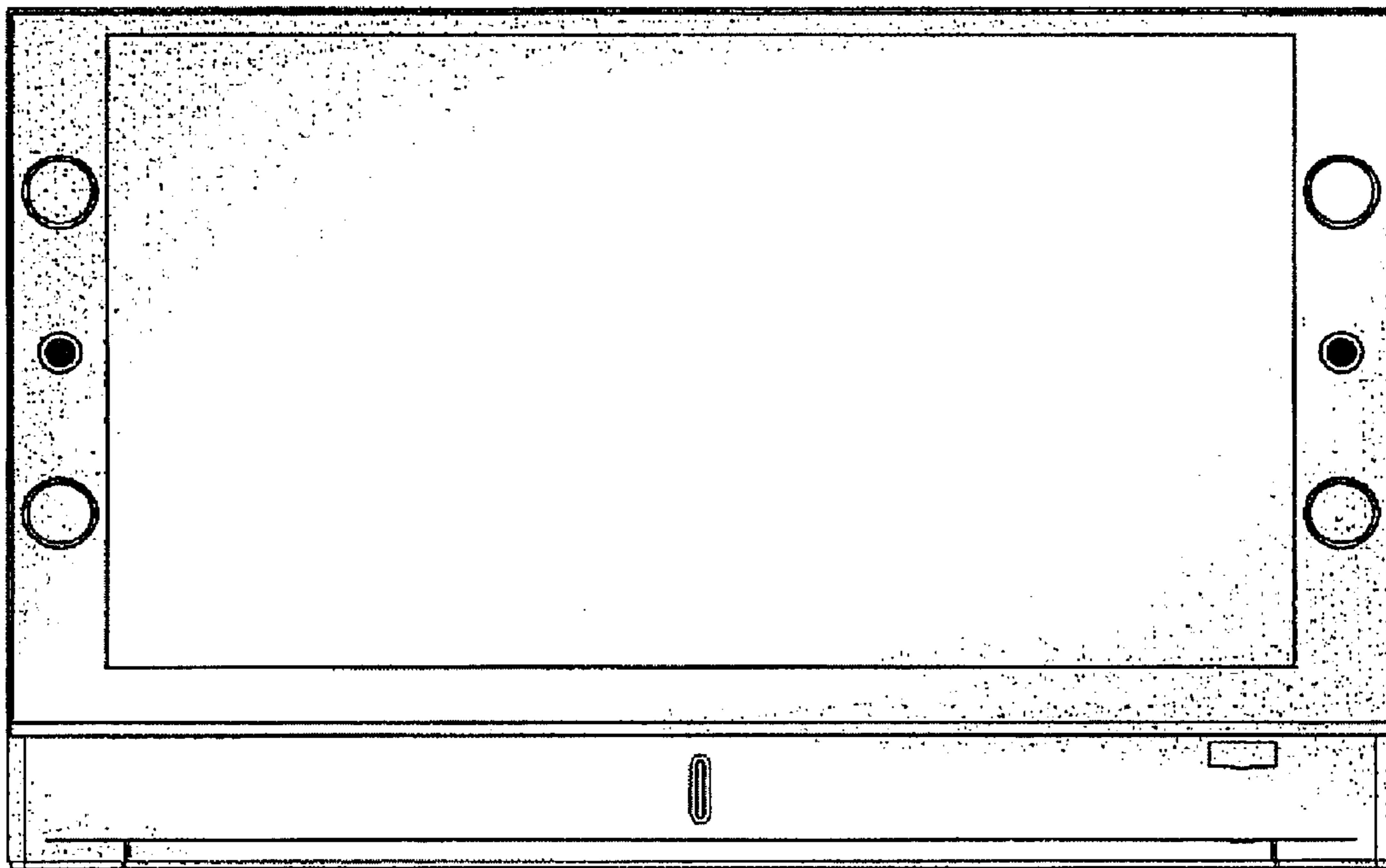


Fig. 3

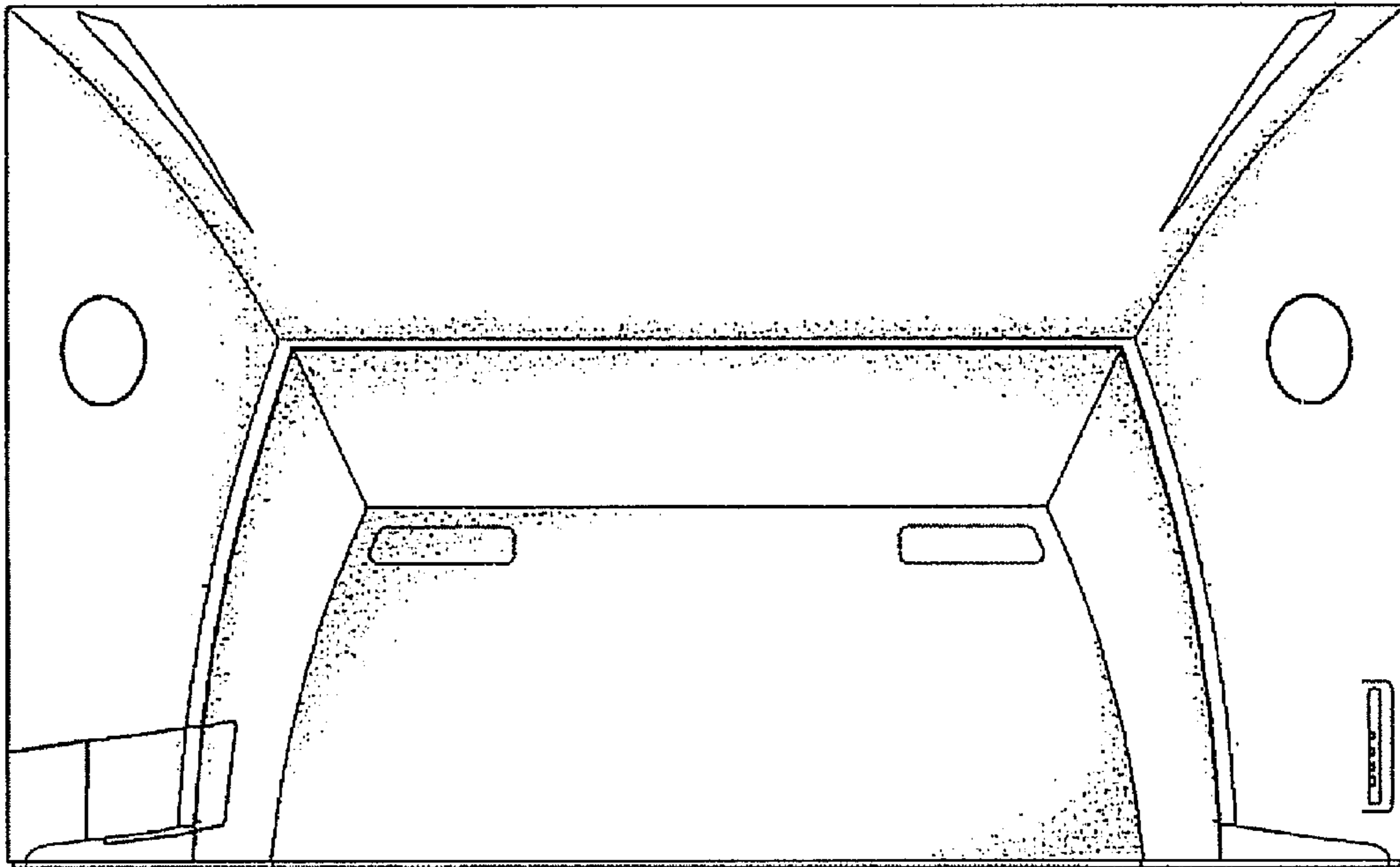


Fig. 4

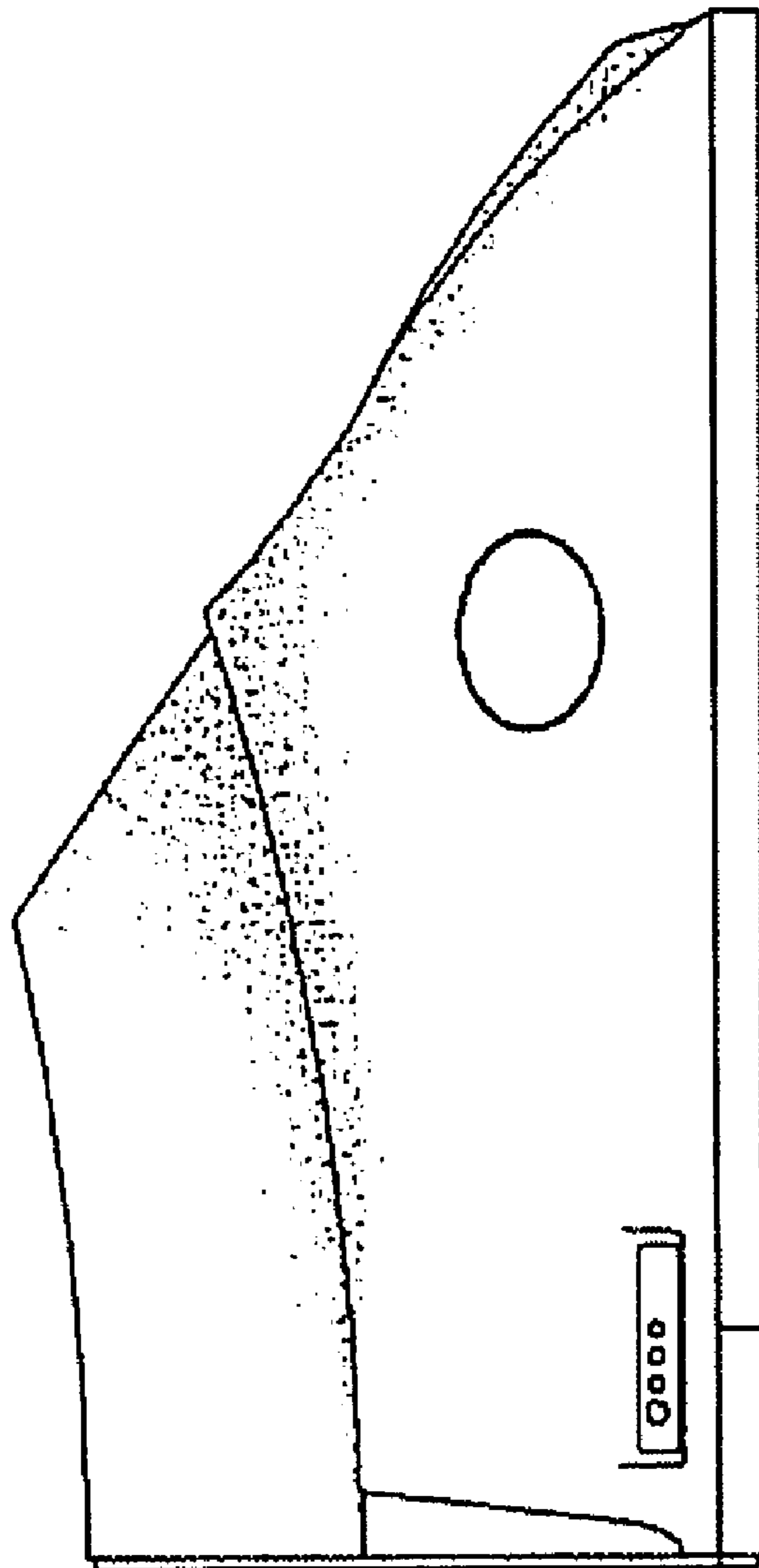


Fig. 5

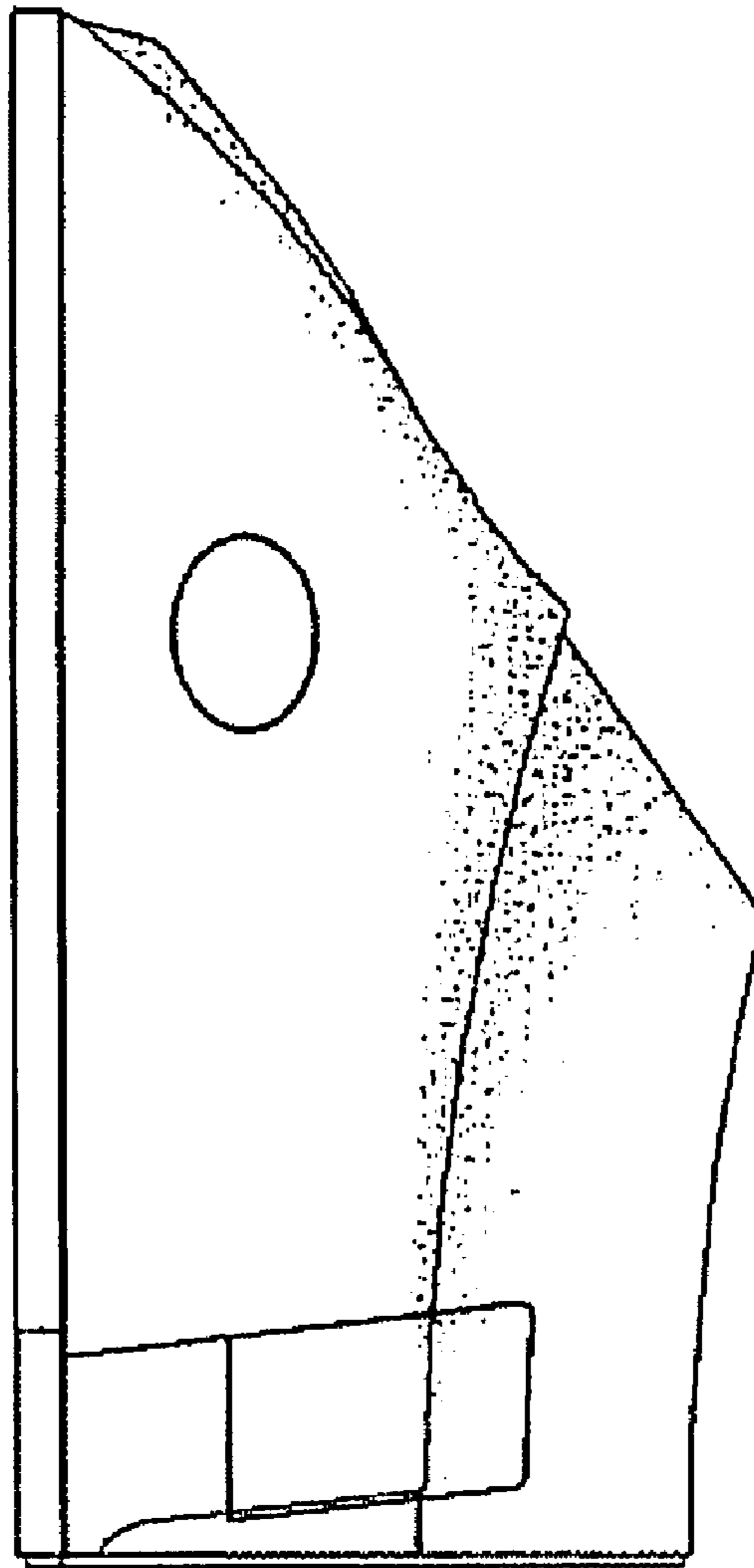


Fig. 6

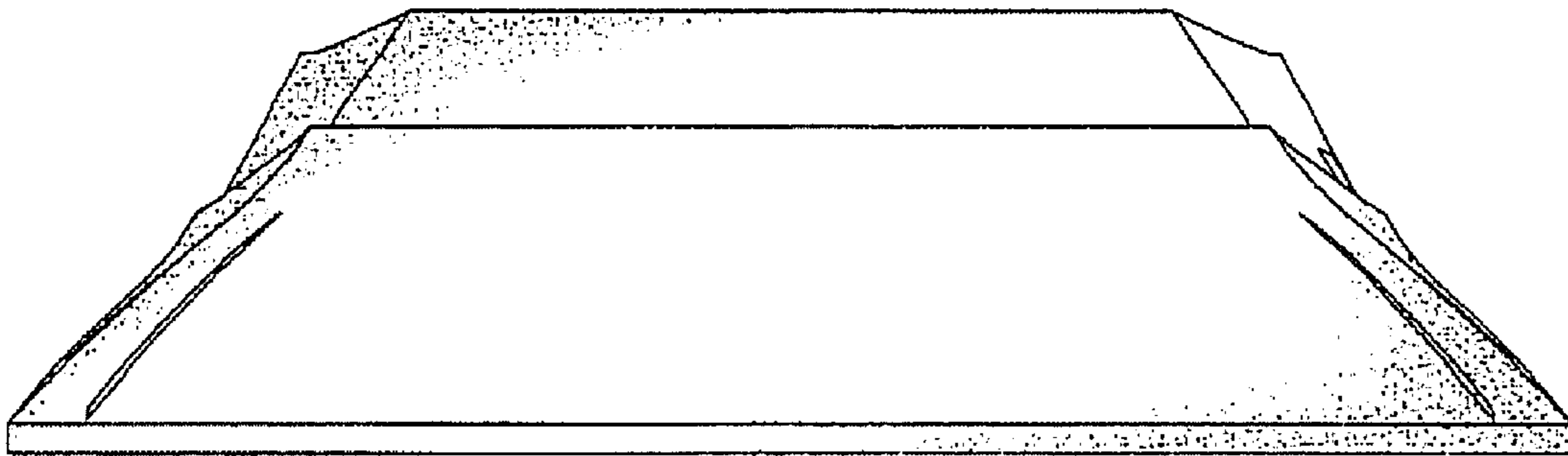


Fig. 7

