



US00D541240S

(12) **United States Design Patent**
Kita

(10) **Patent No.:** **US D541,240 S**
(45) **Date of Patent:** **** Apr. 24, 2007**

- (54) **TELEVISION SET**
- (75) Inventor: **Toshiyuki Kita**, Osaka-fu (JP)
- (73) Assignee: **Sharp Kabushiki Kaisha**, Osaka (JP)
- (**) Term: **14 Years**
- (21) Appl. No.: **29/243,350**
- (22) Filed: **Nov. 23, 2005**
- (30) **Foreign Application Priority Data**
 May 27, 2005 (JP) 2005-015305
- (51) **LOC (8) Cl.** **14-03**
- (52) **U.S. Cl.** **D14/126**
- (58) **Field of Classification Search** D14/125-134,
 D14/239, 371, 136, 374-377; 312/7.2; 348/836,
 348/838, 180, 184, 325, 739; 341/12; 248/917-924,
 248/465; 345/104, 133, 156, 168, 87, 173;
 720/605, 669, 600, 655; 369/99, 197; 455/344-347
 See application file for complete search history.

- D453,748 S 2/2002 Kita
- D456,370 S 4/2002 Kita
- D458,910 S 6/2002 Kita
- D462,353 S 9/2002 Kita
- D492,269 S 6/2004 Kita
- D496,915 S 10/2004 Kita
- D497,351 S 10/2004 Kita
- D497,599 S 10/2004 Kita
- D499,076 S 11/2004 Kita
- D501,186 S 1/2005 Kita
- D501,654 S 2/2005 Kita
- D502,451 S 3/2005 Kita
- D502,931 S 3/2005 Kita
- D505,123 S 5/2005 Kita
- D505,403 S 5/2005 Kita
- D510,731 S 10/2005 Kita
- D512,385 S 12/2005 Kita
- D512,386 S 12/2005 Kita
- D512,387 S 12/2005 Kita

(56) **References Cited**

U.S. PATENT DOCUMENTS

- D337,113 S 7/1993 Saito et al.
- D342,497 S 12/1993 Saito et al.
- D342,501 S 12/1993 Saeki et al.
- D351,155 S 10/1994 Usami et al.
- D351,156 S 10/1994 Usami et al.
- D357,244 S 4/1995 Usami et al.
- D357,245 S 4/1995 Usami et al.
- D357,472 S 4/1995 Usami et al.
- D369,596 S 5/1996 Akiyama et al.
- D372,026 S 7/1996 Akiyama et al.
- D373,583 S 9/1996 Akiyama et al.
- D417,659 S * 12/1999 Takemasa D14/374
- D427,169 S 6/2000 Saeki et al.
- D429,227 S 8/2000 Shimizu
- D431,537 S 10/2000 Saeki et al.
- D432,101 S * 10/2000 Oba D14/126
- D438,848 S 3/2001 Kita
- D439,224 S 3/2001 Kita
- D439,225 S 3/2001 Kita
- D453,747 S 2/2002 Kita

OTHER PUBLICATIONS

- U.S. Appl. No. 29/232,622, filed Jun. 22, 2005, Kita.
- U.S. Appl. No. 29/232,620, filed Jun. 22, 2005, Kita.
- U.S. Appl. No. 29/232,607, filed Jun. 22, 2005, Kita.
- U.S. Appl. No. 29/232,621, filed Jun. 22, 2005, Kita.

(Continued)

Primary Examiner—Raphael Barkai
(74) *Attorney, Agent, or Firm*—Nixon & Vanderhye, PC

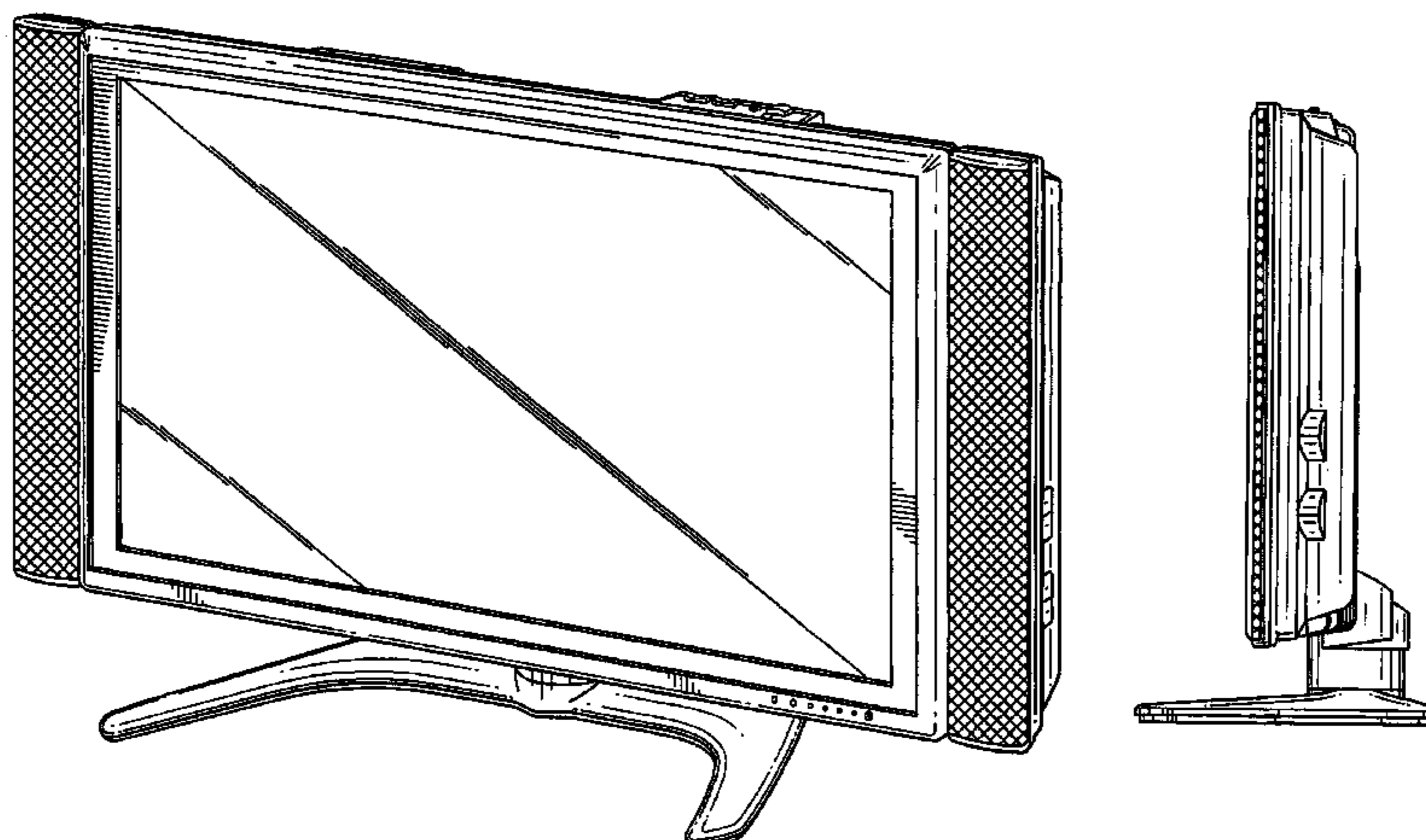
(57) **CLAIM**

The ornamental design for a “television set,” as shown and described.

DESCRIPTION

FIG. 1 is a top, front and right side perspective view of a television set according to my design;
FIG. 2 is a front elevational view thereof;
FIG. 3 is a rear elevational view thereof;
FIG. 4 is a right side elevational view thereof;
FIG. 5 is a left side elevational view thereof;
FIG. 6 is a top plan view thereof; and,
FIG. 7 is a bottom plan view thereof.

1 Claim, 5 Drawing Sheets



OTHER PUBLICATIONS

U.S. Appl. No. 29/232,614, filed Jun. 22, 2005, Kita.
U.S. Appl. No. 29/207,659, filed Jun. 2004, Kita.
U.S. Appl. No. 29/207,660, filed Jun. 2004, Kita.
U.S. Appl. No. 29/206,962, filed Jun. 2004, Kita.
Fuji et al., entitled, "Television Set," U.S. Appl. No. 29/228,974, filed May 2, 2005, pending.
Kita, entitled, "Television Set," U.S. Appl. No. 29/229,686, filed May 11, 2005, pending.
Fuji et al., entitled, "Television Set," U.S. Appl. No. 29/228,975, filed May 2, 2005, pending.
Kita, entitled, "Television Set," U.S. Appl. No. 29/232,697, filed Jun. 23, 2005, pending.
Kita, entitled, "Television Set," U.S. Appl. No. 29/232,616, filed Jun. 22, 2005, pending.
Kita, entitled, "Television Set," U.S. Appl. No. 29/232,622, filed Jun. 22, 2005, pending.
Kita, entitled, "Television Set," U.S. Appl. No. 29/232,620, filed Jun. 22, 2005, pending.
Kita, entitled, "Television Set," U.S. Appl. No. 29/232,607, filed Jun. 22, 2005, pending.
Kita, entitled, "Television Set," U.S. Appl. No. 29/232,621, filed Jun. 22, 2005, pending.
Kita, entitled, "Television Set," U.S. Appl. No. 29/232,614, filed Jun. 22, 2005, pending.

Totsuka, entitled, "Television Set," U.S. Appl. No. 29/245,754, filed Dec. 29, 2005, pending.
Kita, entitled, "Television Set," U.S. Appl. No. 29/243,346, filed Nov. 23, 2005, pending.
Kita, entitled, "Television Set," U.S. Appl. No. 29/243,348, filed Nov. 23, 2005, pending.
Kita, entitled, "Television Set," U.S. Appl. No. 29/243,347, filed Nov. 23, 2005, pending.
Kita, entitled, "Television Set," U.S. Appl. No. 29/243,703, filed Nov. 30, 2005, pending.
Kita, entitled, "Television Set," U.S. Appl. No. 29/243,704, filed Nov. 30, 2005, pending.
Kita, entitled, "Television Set," U.S. Appl. No. 29/243,707, filed Nov. 30, 2005, pending.
Kita, entitled, "Television Set," U.S. Appl. No. 29/245,015, filed Dec. 19, 2005, pending.
Kita, entitled, "Television Set," U.S. Appl. No. 29/253,456, filed Feb. 8, 2006, pending.
Kita, entitled, "Television Set," U.S. Appl. No. 29/253,455, filed Feb. 8, 2006, pending.
Kita, entitled, "Externally Exposed Surfaces of a Speaker for a Television Set," U.S. Appl. No. 29/243,705, filed Nov. 30, 2005, pending.

* cited by examiner

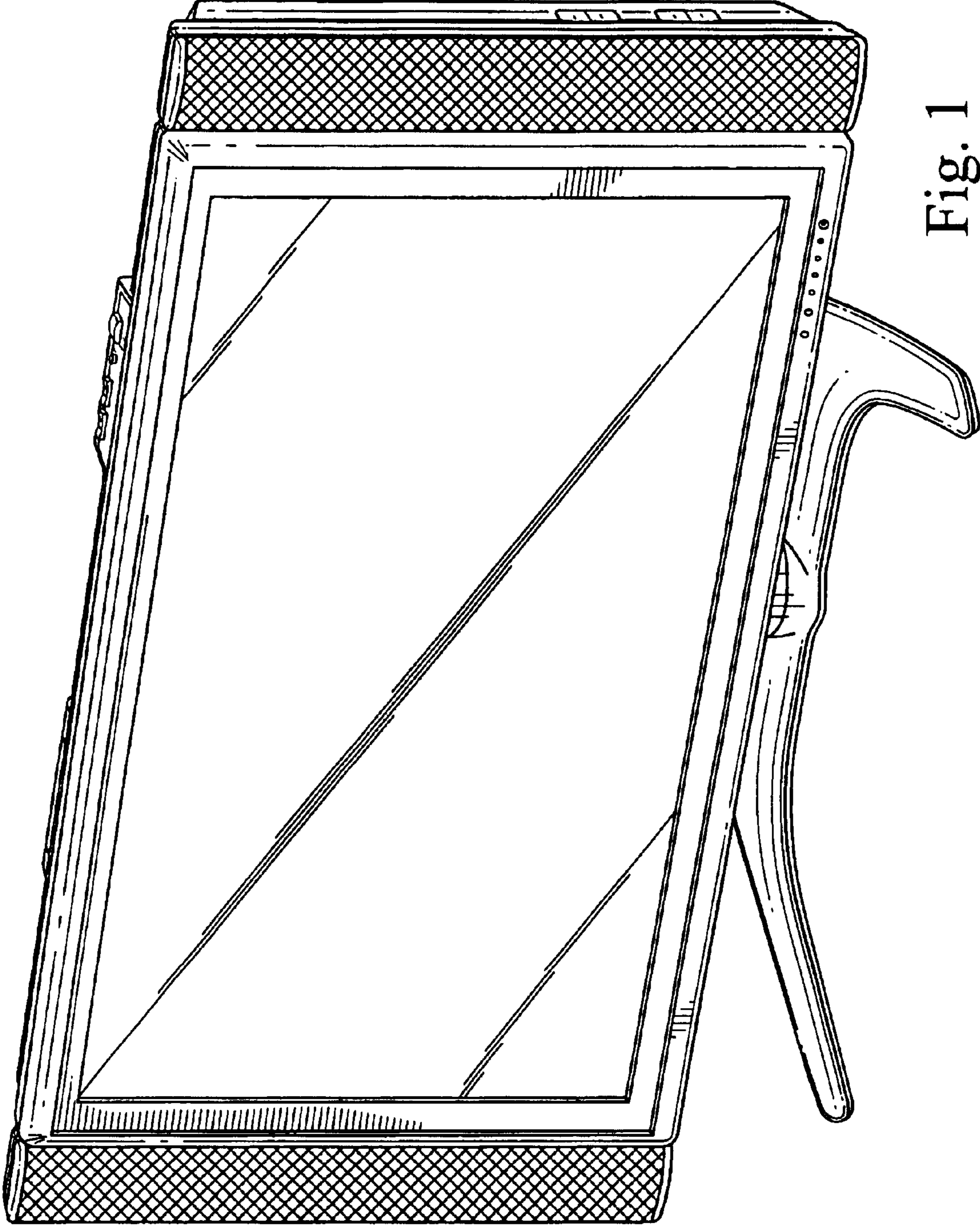


Fig. 1

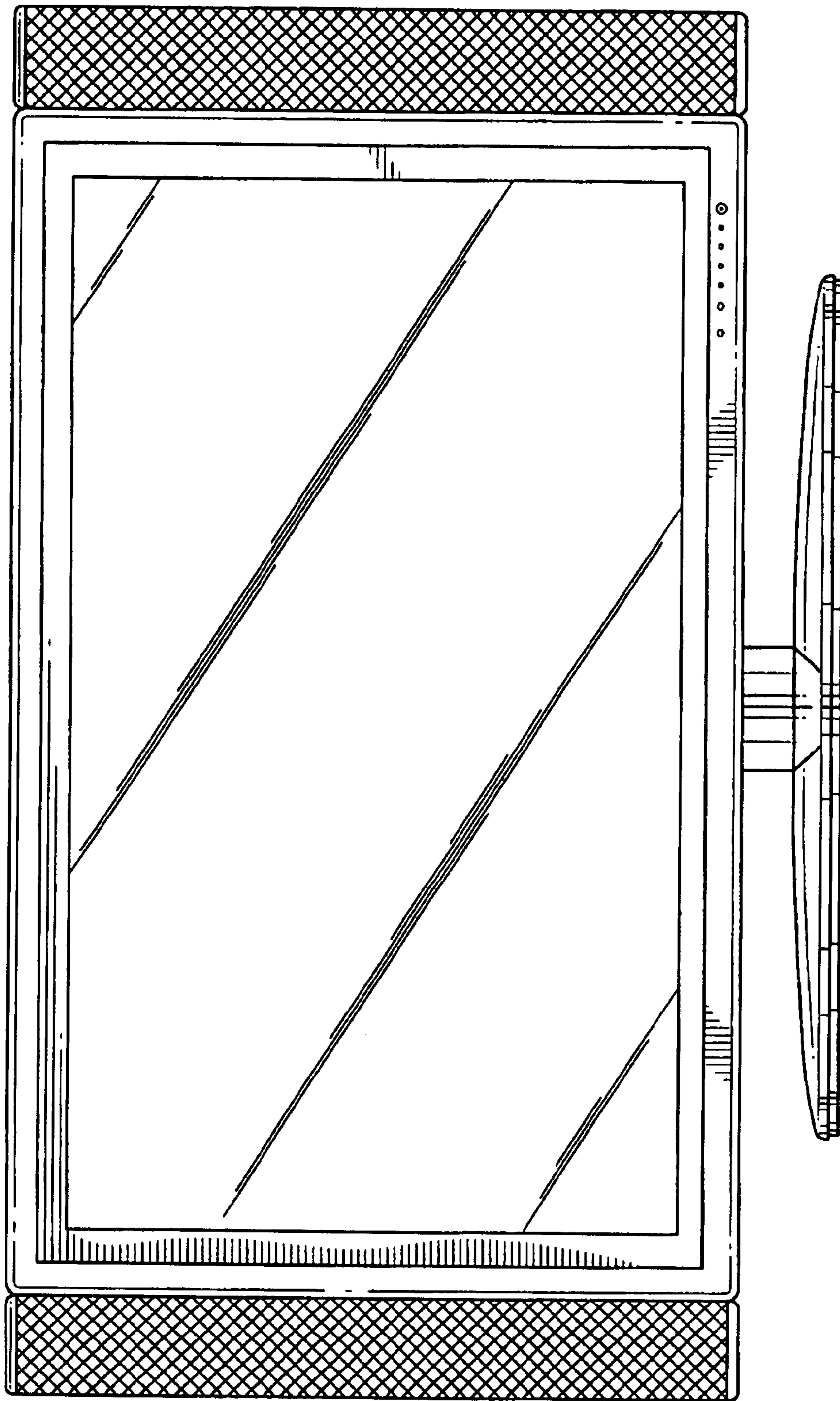


Fig. 2

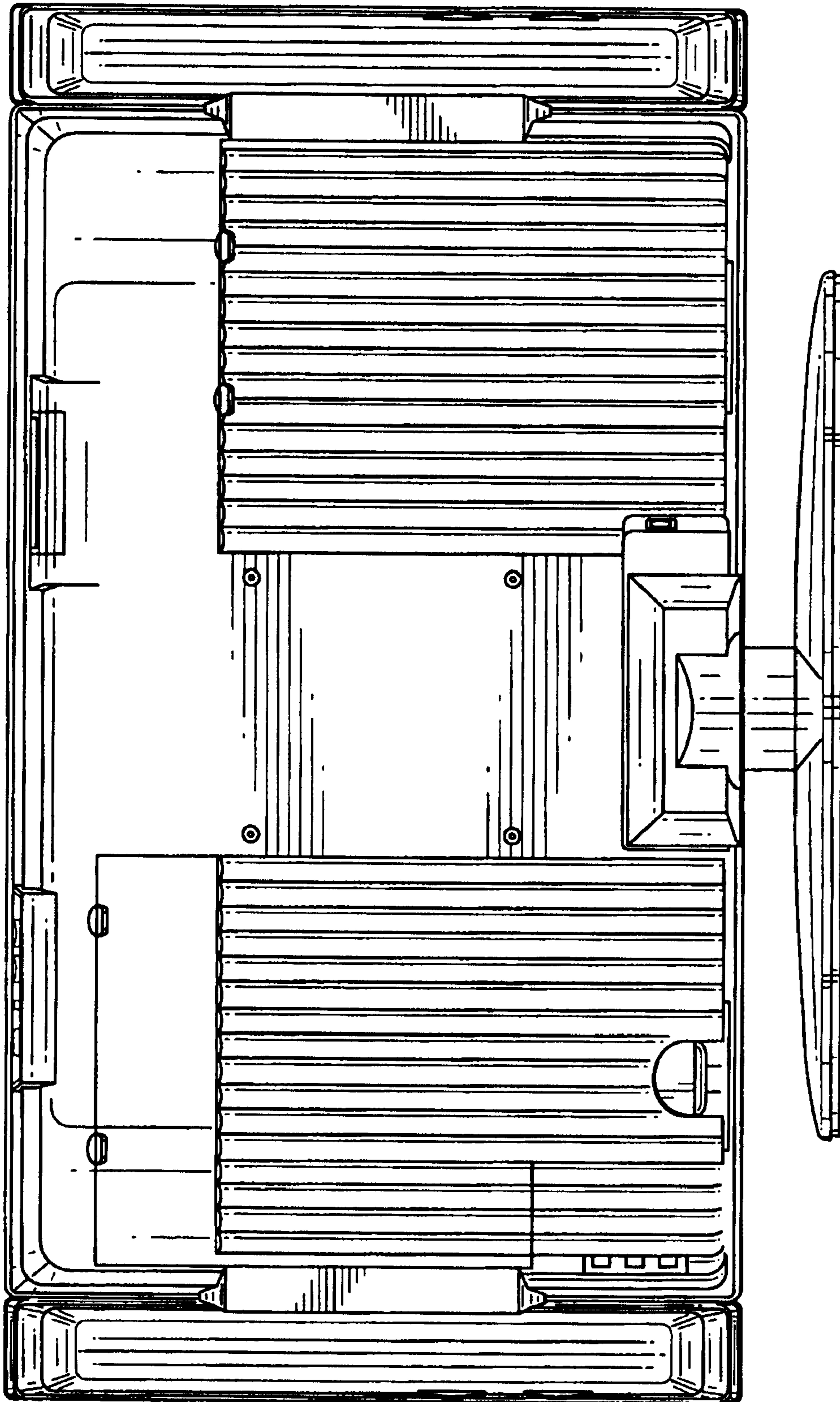


Fig. 3

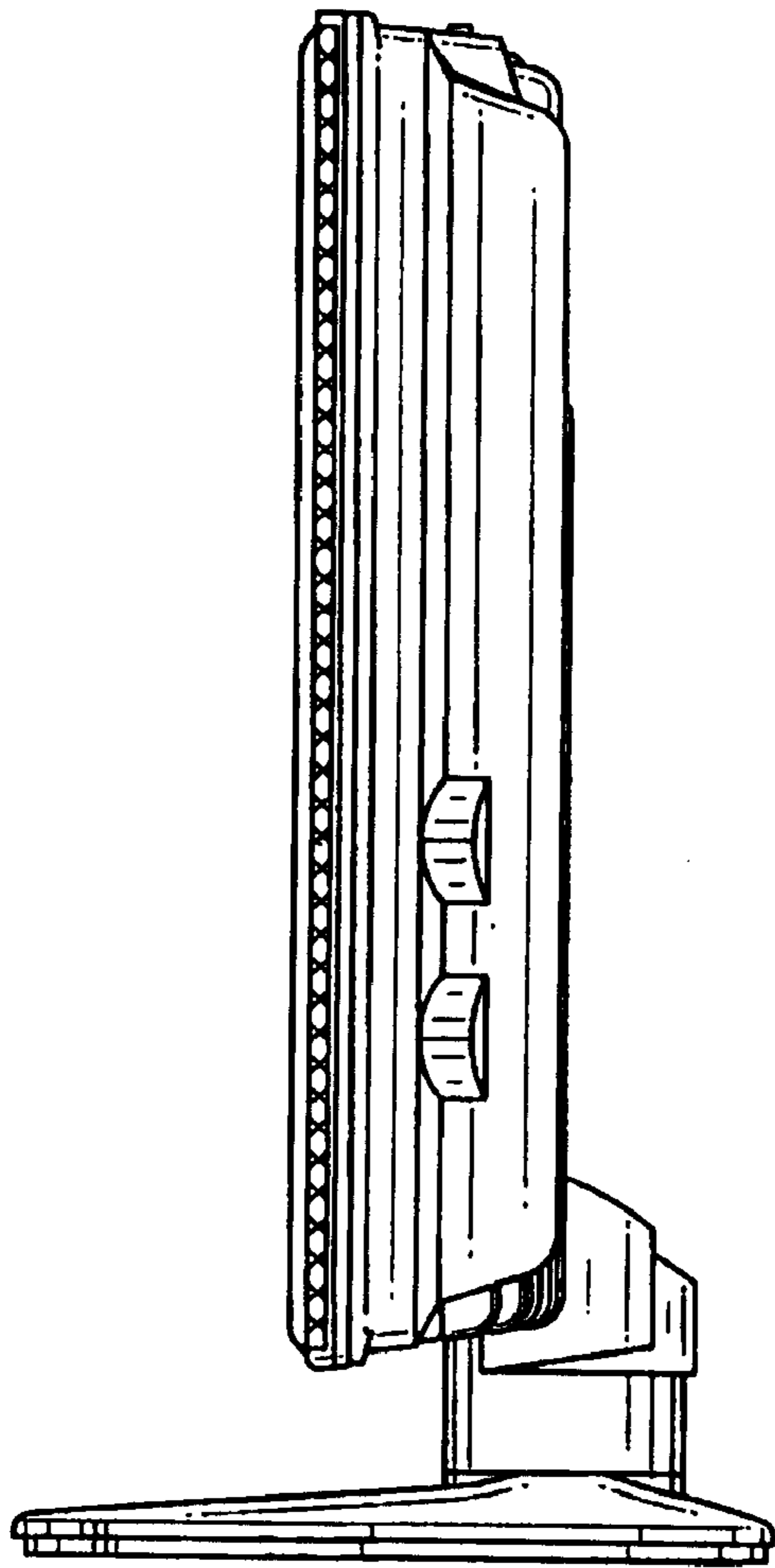


Fig. 4

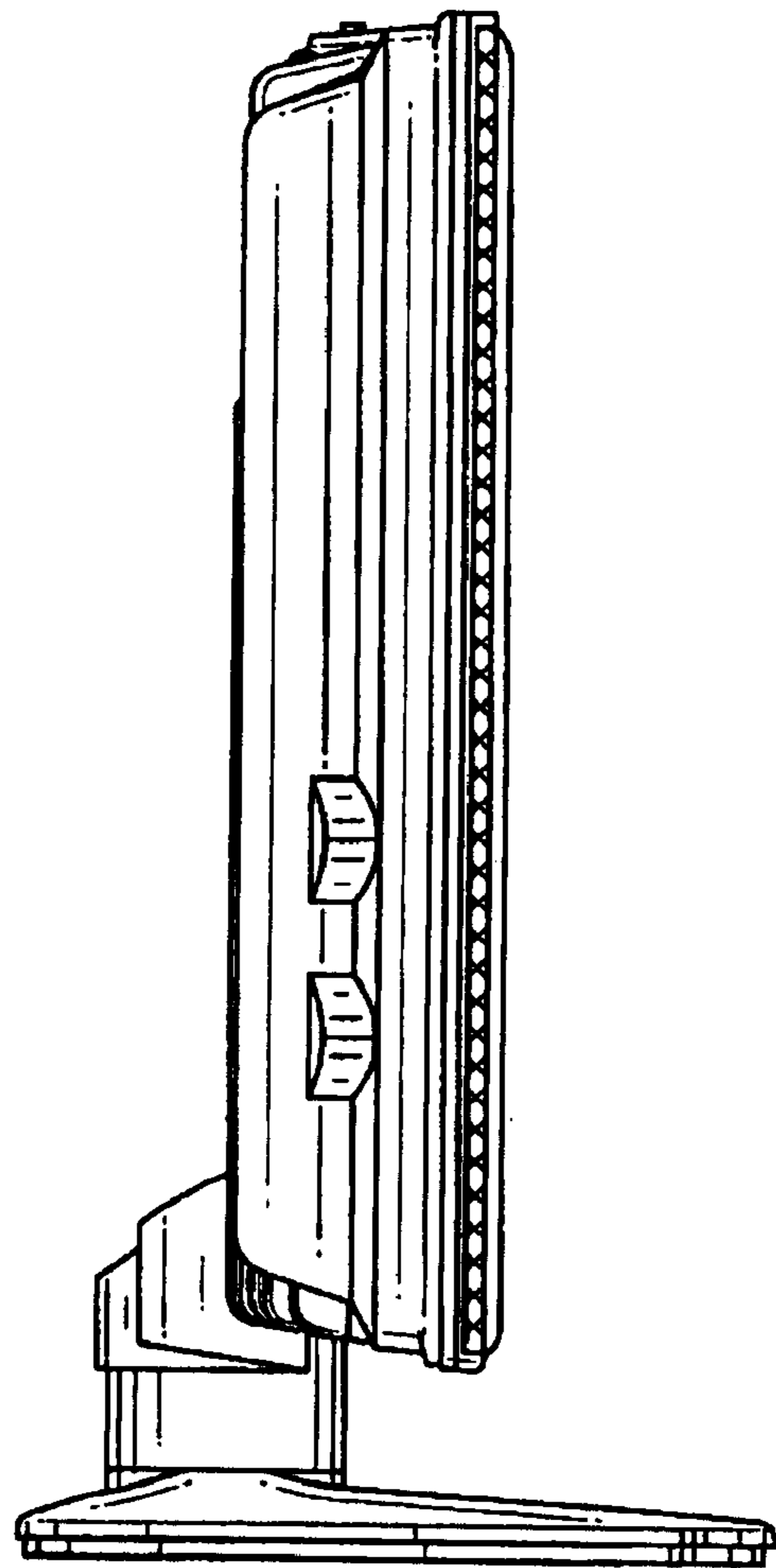


Fig. 5

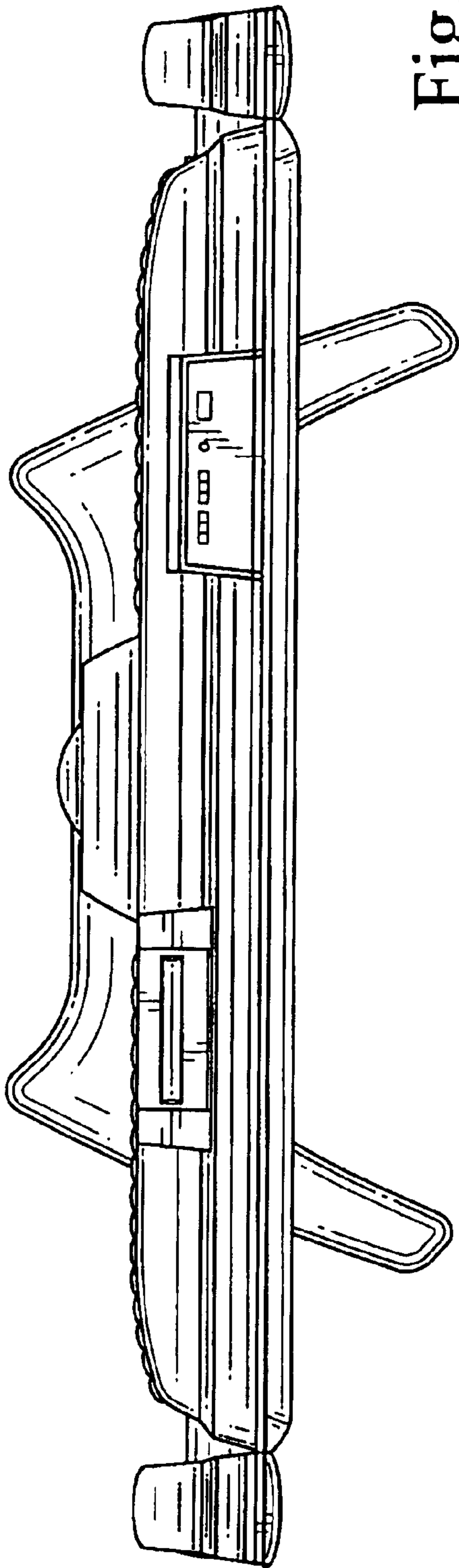


Fig. 6

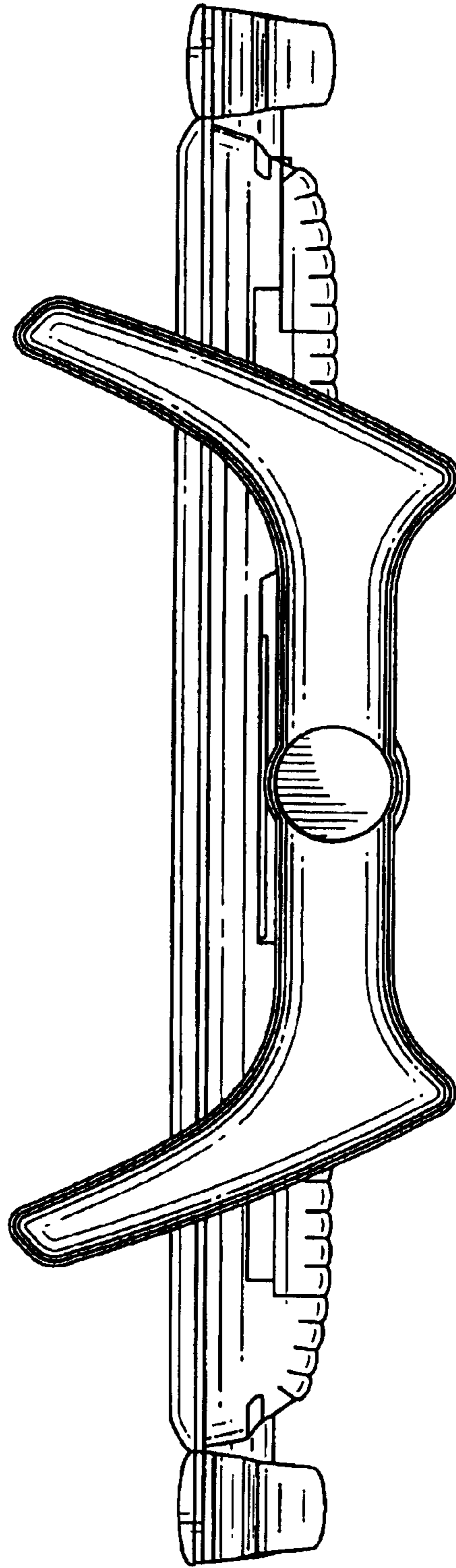


Fig. 7