

US00D541237S

(12) **United States Design Patent**  
**Kita**

(10) **Patent No.:** **US D541,237 S**

(45) **Date of Patent:** **\*\* Apr. 24, 2007**

(54) **TELEVISION SET**

(75) Inventor: **Toshiyuki Kita**, Osaka (JP)

(73) Assignee: **Sharp Kabushiki Kaisha**, Osaka (JP)

(\*\*) Term: **14 Years**

(21) Appl. No.: **29/232,621**

(22) Filed: **Jun. 22, 2005**

(30) **Foreign Application Priority Data**

Dec. 22, 2004 (JP) ..... 2004-039325

(51) **LOC (8) Cl.** ..... **14-03**

(52) **U.S. Cl.** ..... **D14/126; D14/134**

(58) **Field of Classification Search** ..... D14/125-134,  
D14/239, 371, 136, 374-377; 312/7.2; 348/836,  
348/838, 180, 184, 325, 739; 341/12; 248/917-924,  
248/465; 345/104, 133, 156, 168, 87, 173;  
720/605, 669, 600, 655; 369/99, 197; 455/344-347  
See application file for complete search history.

(56) **References Cited**

**U.S. PATENT DOCUMENTS**

D408,416 S	*	4/1999	Fenner et al.	.....	D14/239
D427,169 S		6/2000	Saeki et al.		
D429,227 S		8/2000	Shimizu		
D431,537 S		10/2000	Saeki et al.		
D438,848 S		3/2001	Kita		
D439,224 S		3/2001	Kita		
D439,225 S		3/2001	Kita		
D453,747 S		2/2002	Kita		
D453,748 S		2/2002	Kita		
D456,370 S		4/2002	Kita		
D458,910 S		6/2002	Kita		
D462,353 S		9/2002	Kita		

D472,532 S	*	4/2003	Niitsu	.....	D14/126
D492,269 S		6/2004	Kita		
D496,915 S		10/2004	Kita		
D497,351 S		10/2004	Kita		
D497,599 S		10/2004	Kita		
D499,076 S		11/2004	Kita		
D501,186 S		1/2005	Kita		
D501,654 S		2/2005	Kita		
D502,451 S		3/2005	Kita		
D502,931 S		3/2005	Kita		
D505,123 S		5/2005	Kita		
D505,403 S		5/2005	Kita		

**OTHER PUBLICATIONS**

U.S. Appl. No. 29/207,659, filed Jun. 2004, Kita.

U.S. Appl. No. 29/207,660, filed Jun. 2004, Kita.

U.S. Appl. No. 29/206,962, filed Jun. 2004, Kita.

\* cited by examiner

*Primary Examiner*—Raphael Barkai

(74) *Attorney, Agent, or Firm*—Nixon & Vanderhye, PC

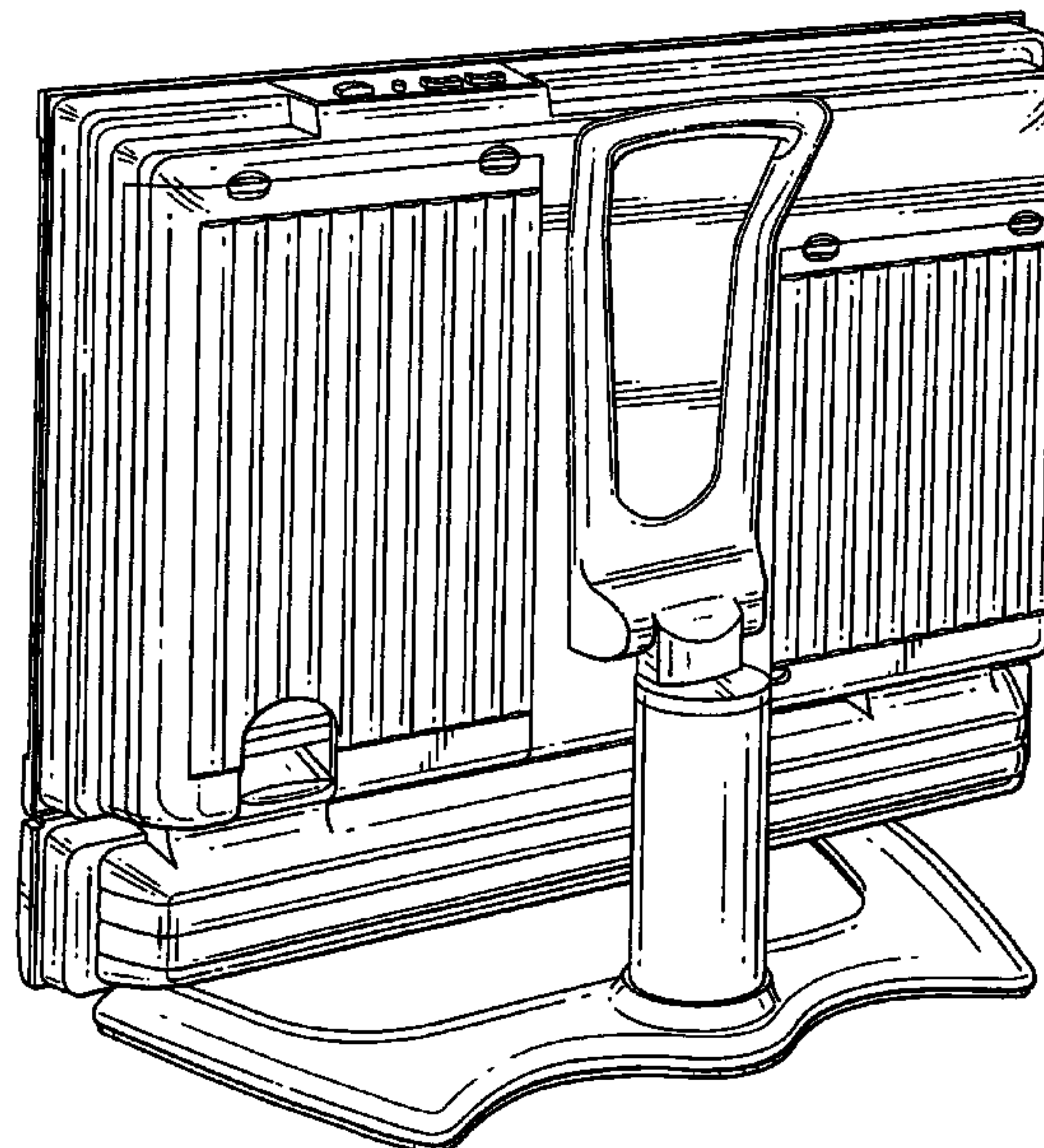
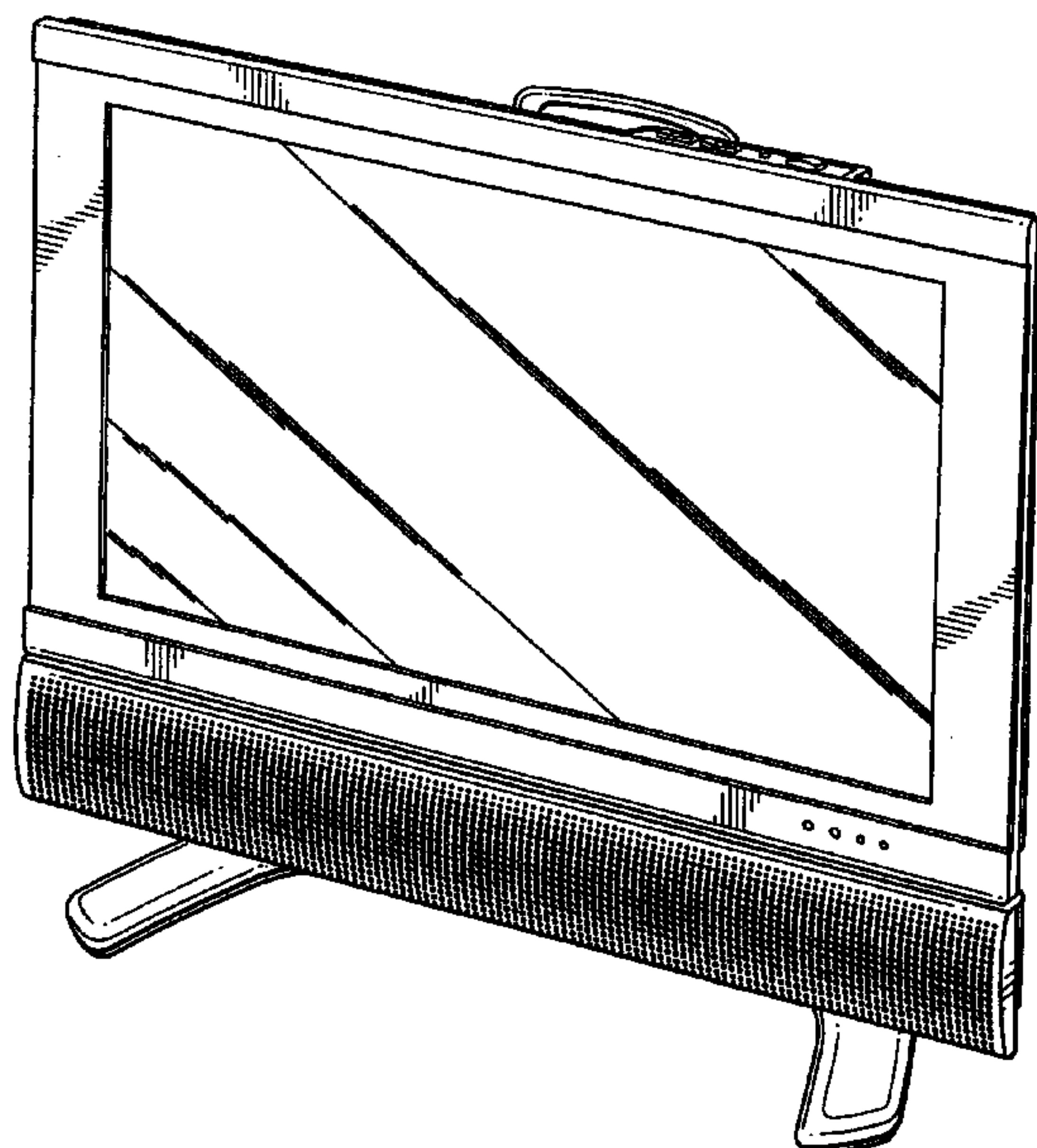
(57) **CLAIM**

The ornamental design for a “television set,” as shown and described.

**DESCRIPTION**

FIG. 1 is a top, front and right side perspective view of a television set according to my design;  
FIG. 2 is a front elevational view thereof;  
FIG. 3 is a rear elevational view thereof;  
FIG. 4 is a right side elevational view thereof;  
FIG. 5 is a left side elevational view thereof;  
FIG. 6 is a top plan view thereof;  
FIG. 7 is a bottom plan view thereof; and,  
FIG. 8 is a top, right side and rear perspective view thereof.

**1 Claim, 6 Drawing Sheets**



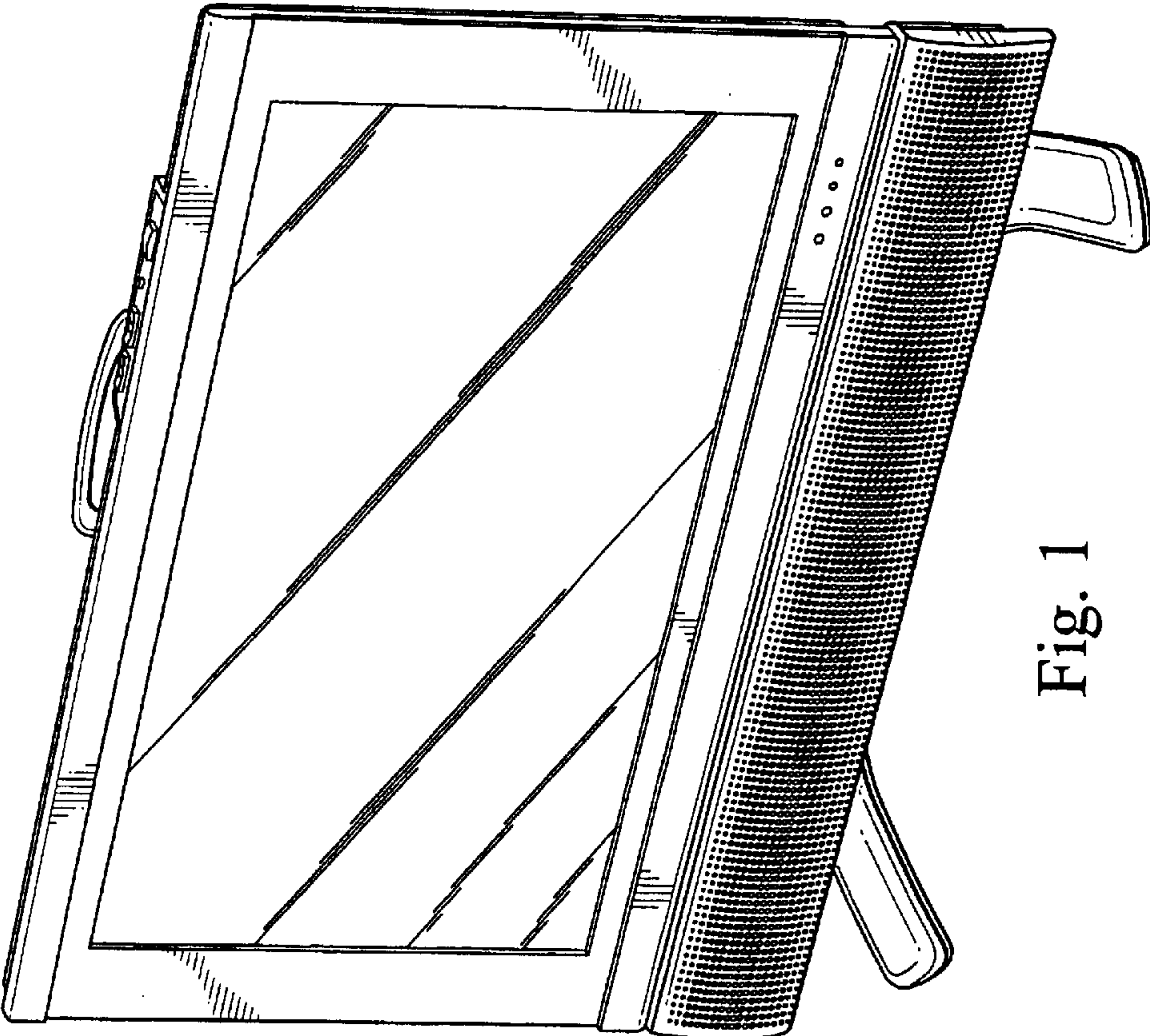


Fig. 1

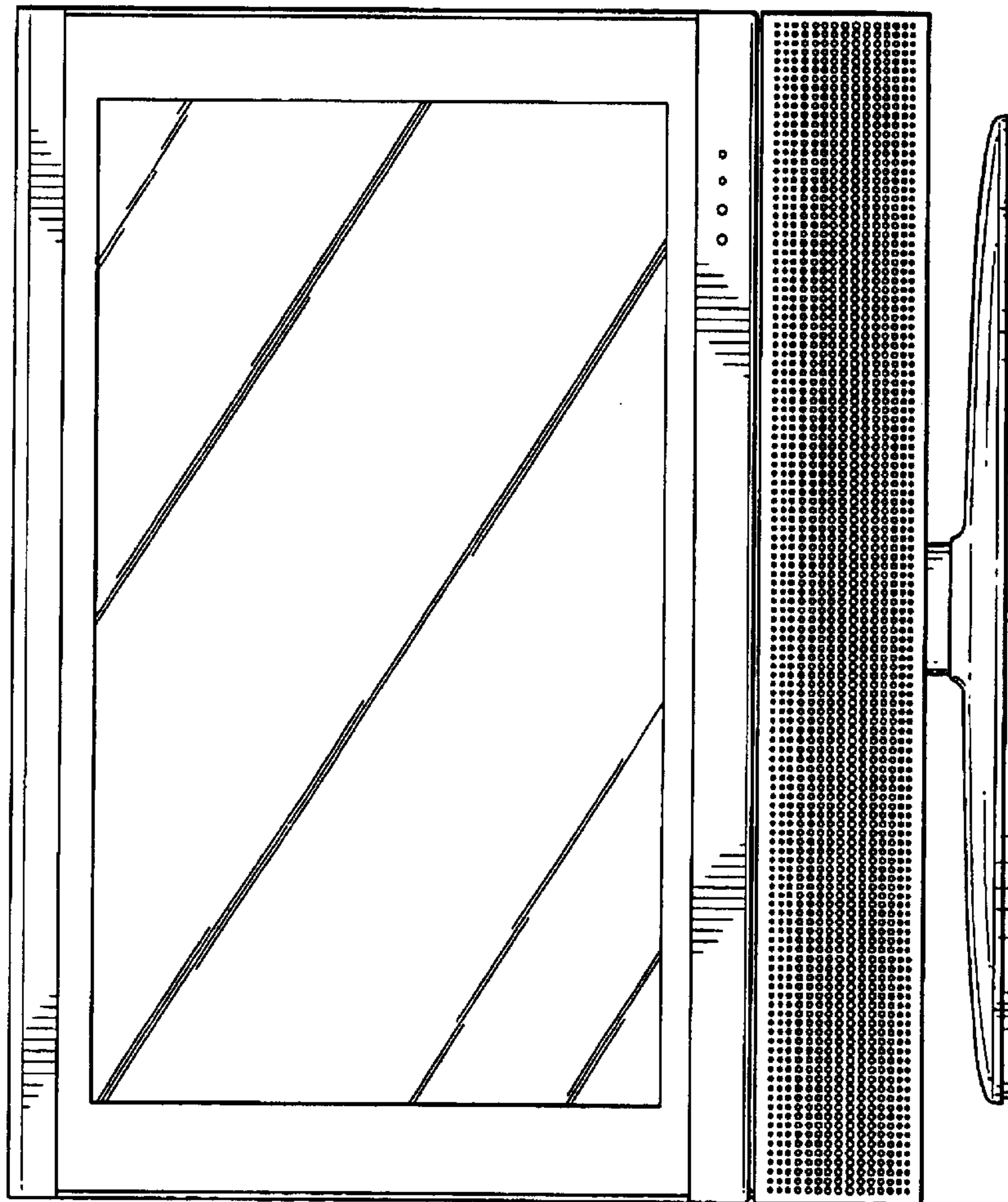


Fig. 2



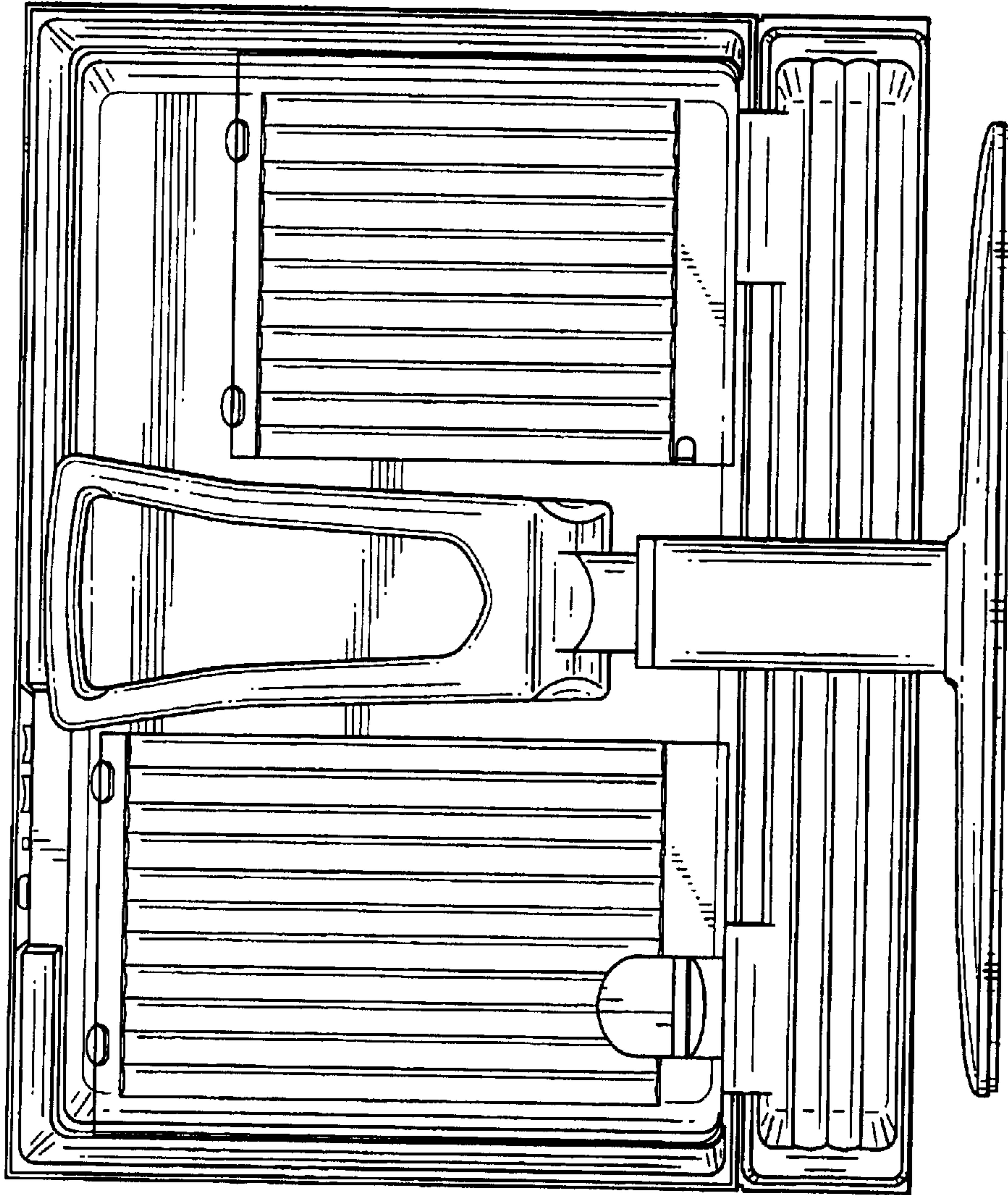


Fig. 3

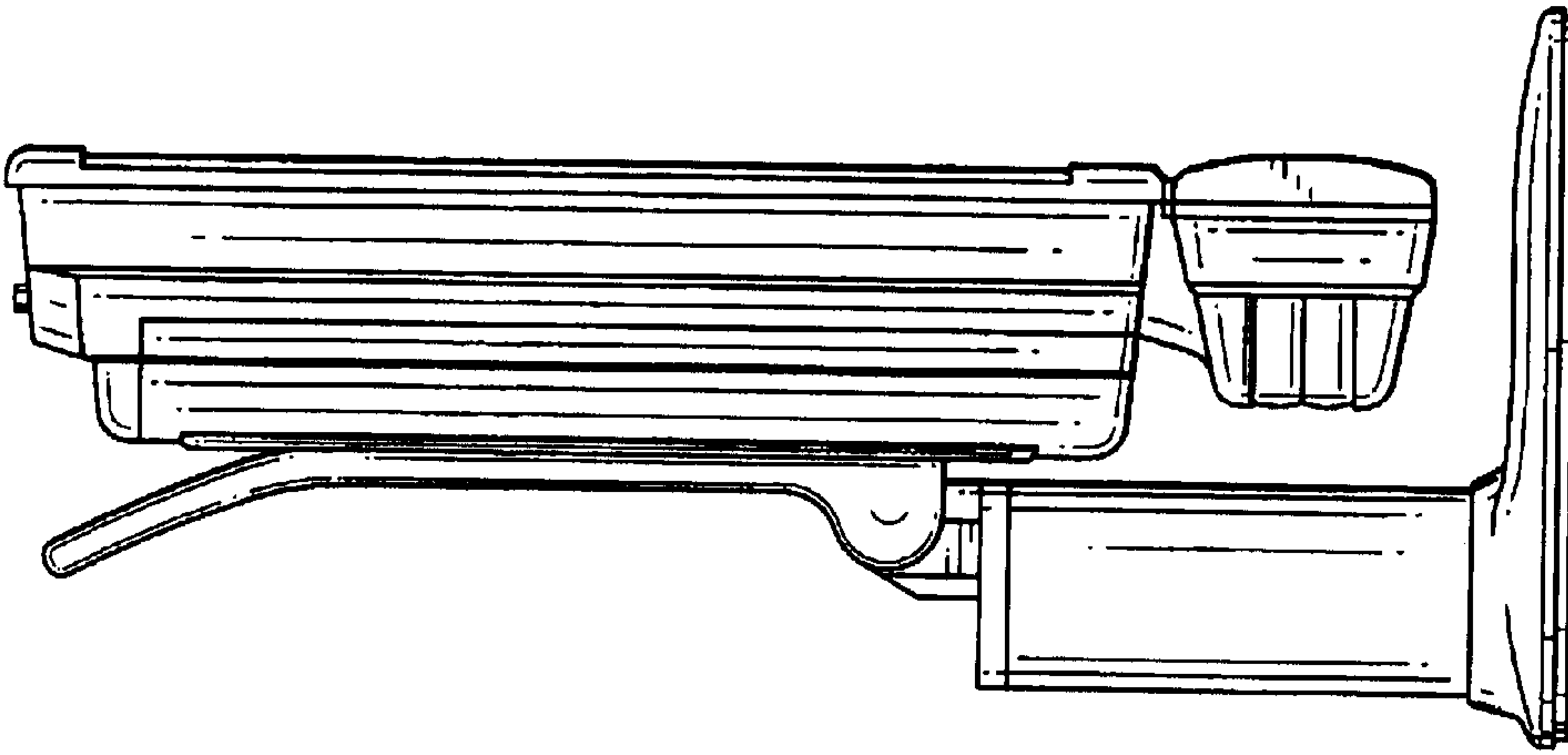


Fig. 5

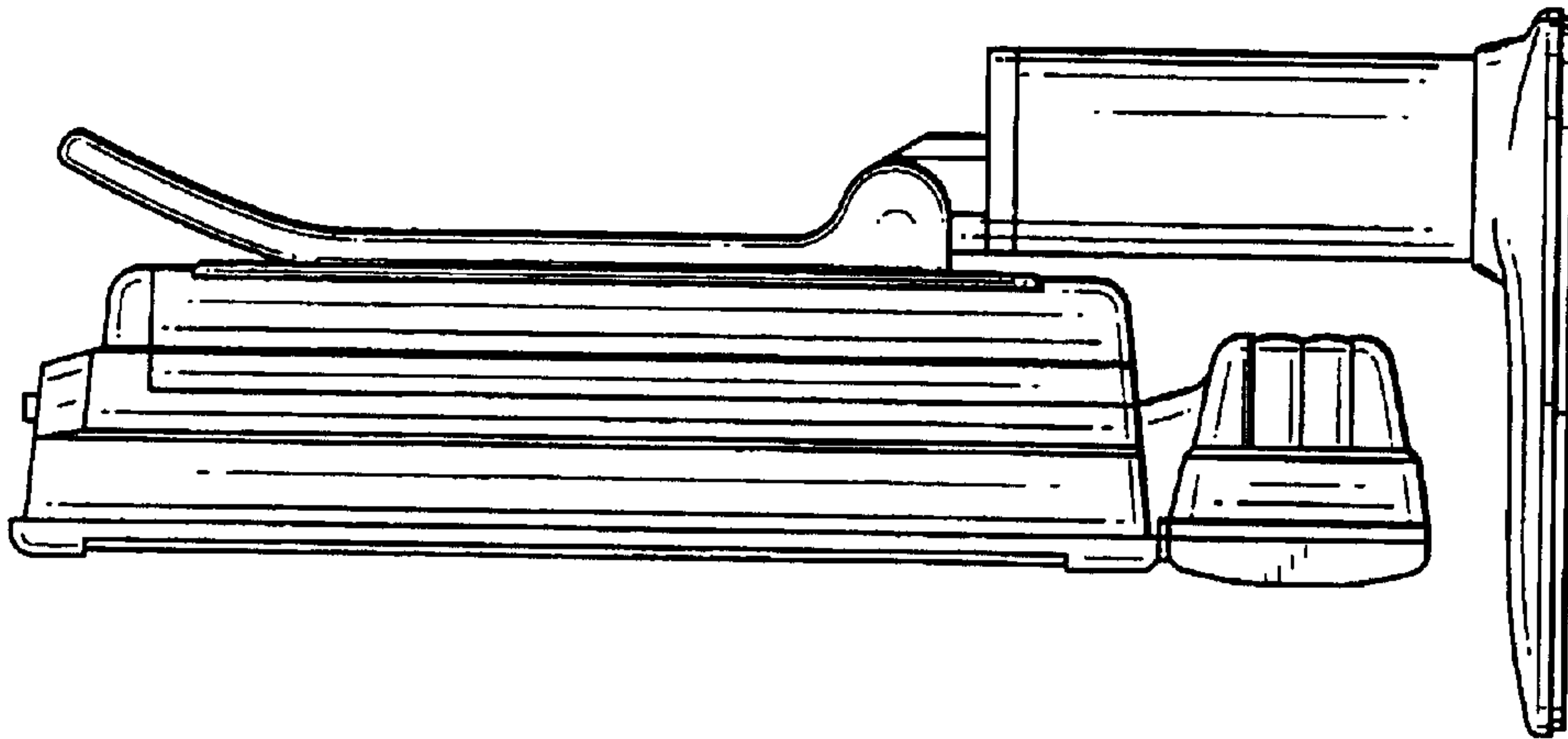


Fig. 4

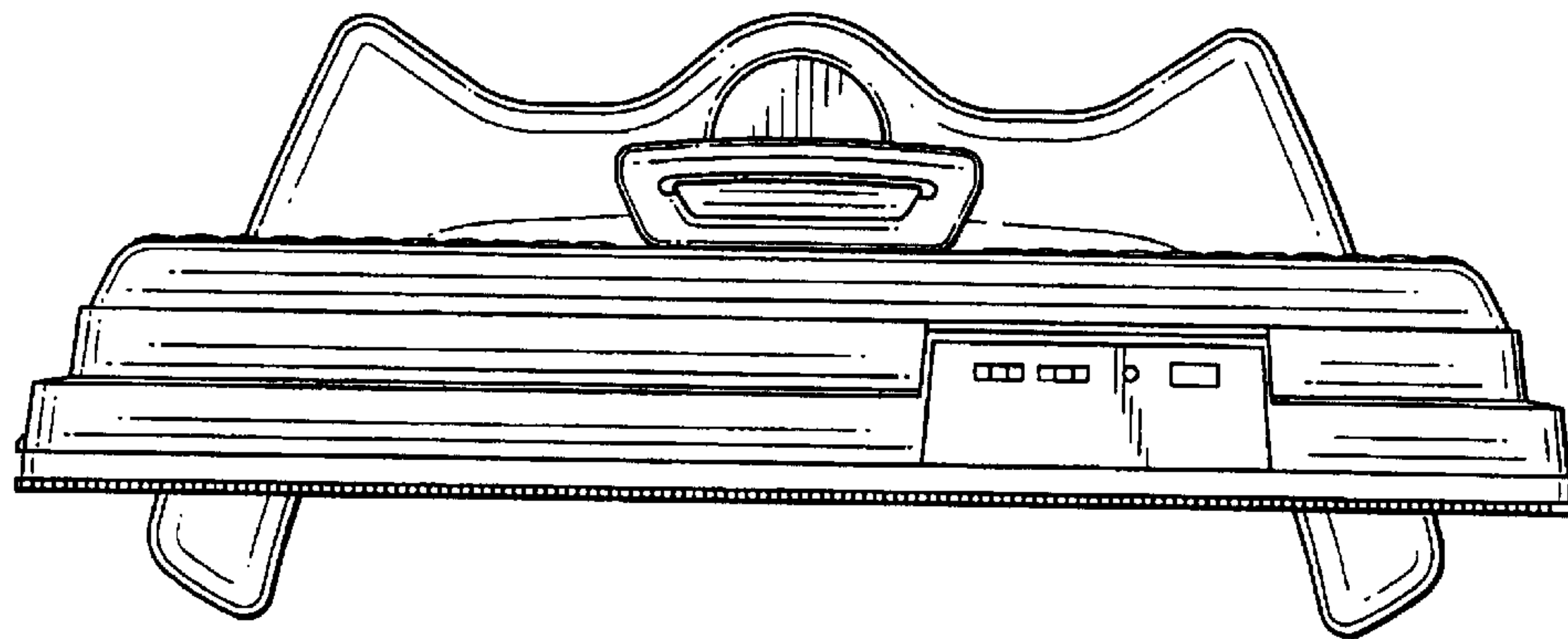


Fig. 6

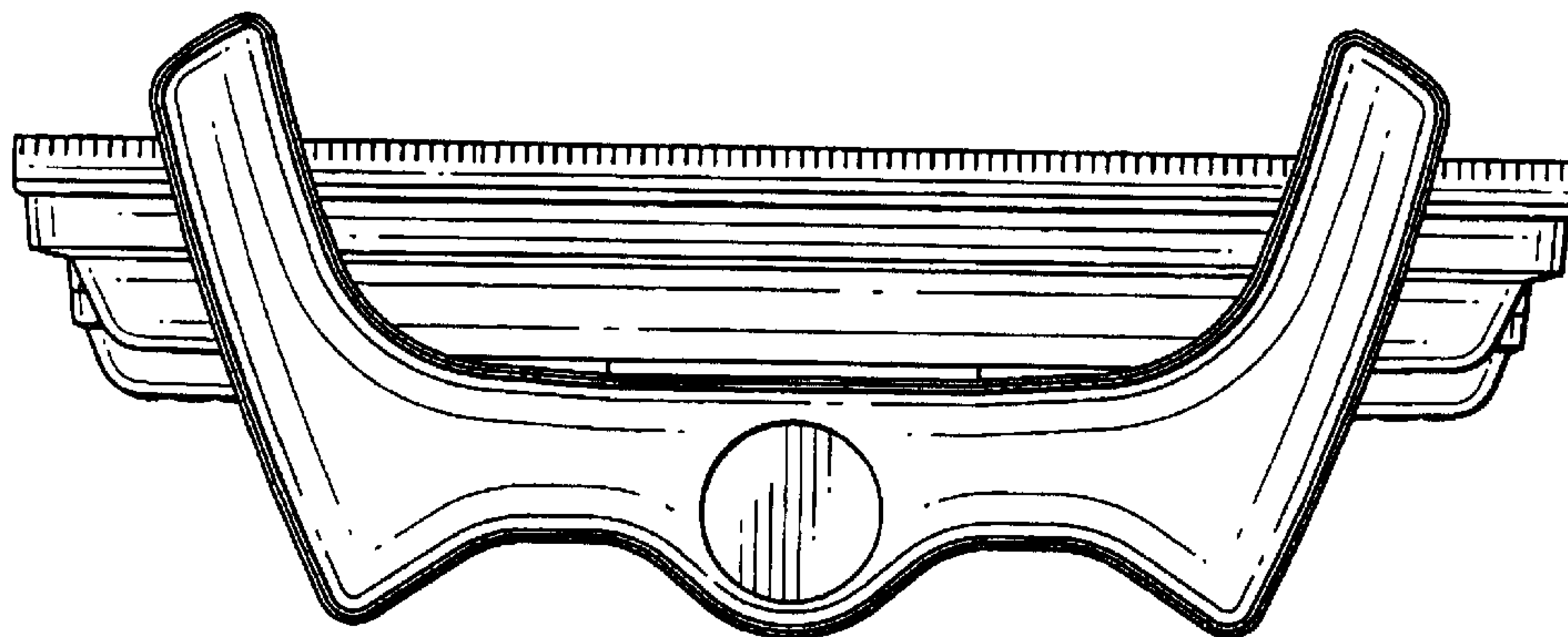


Fig. 7

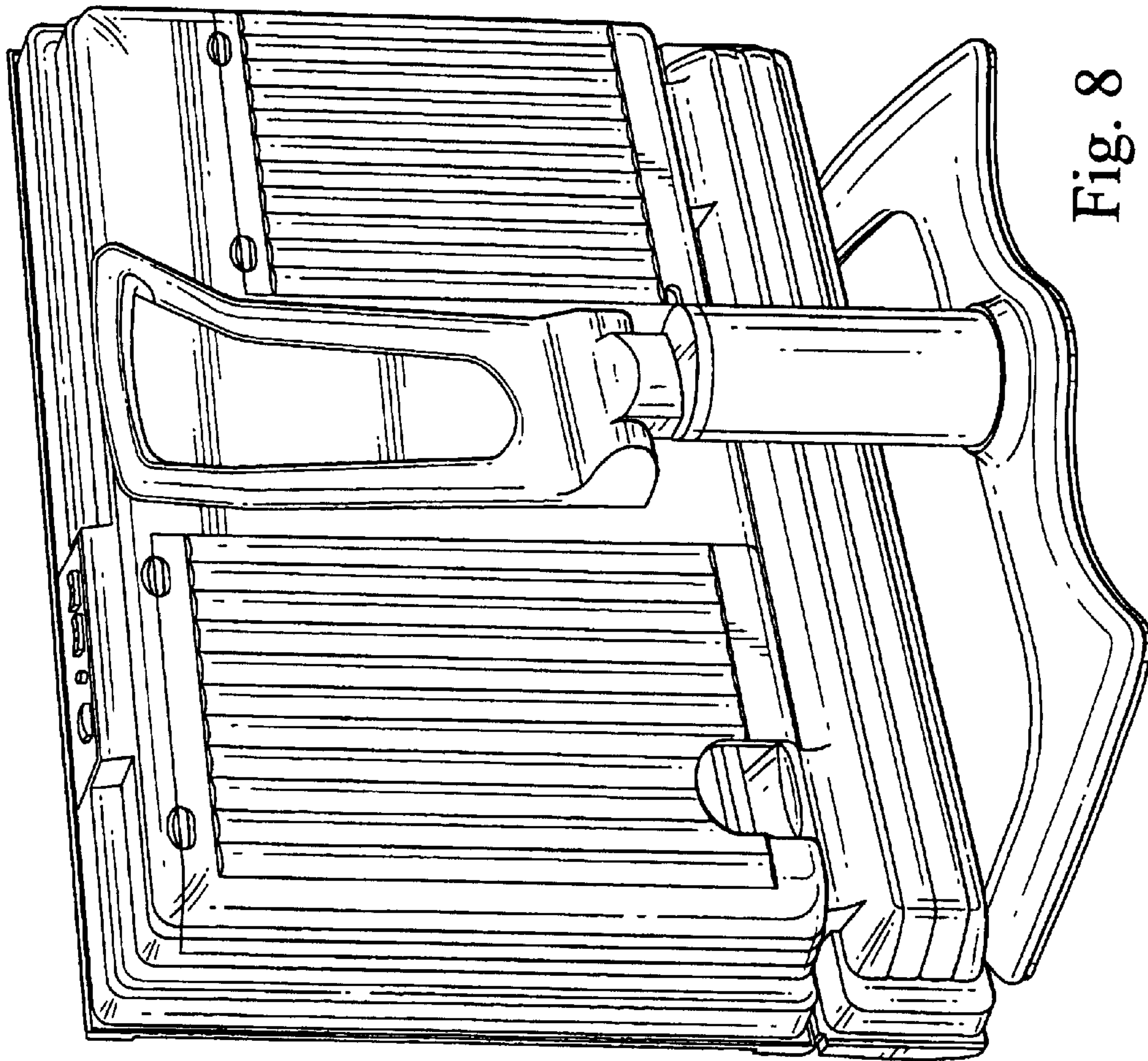


Fig. 8