



US00D541236S

(12) **United States Design Patent**
Kim et al.

(10) **Patent No.:** **US D541,236 S**

(45) **Date of Patent:** **** Apr. 24, 2007**

(54) **TV RECEIVER**

D512,389 S * 12/2005 Joe et al. D14/128
D514,534 S * 2/2006 Yoo et al. D14/128

(75) Inventors: **Kyoung Hoon Kim**, Seoul (KR);
Young Sun Shin, Seoul (KR)

* cited by examiner

(73) Assignee: **Samsung Electronics Co., Ltd.** (KR)

Primary Examiner—Raphael Barkai

(74) *Attorney, Agent, or Firm*—Irving Keschner

(**) Term: **14 Years**

(57) **CLAIM**

The ornamental design for TV receiver, as shown.

(21) Appl. No.: **29/225,999**

(22) Filed: **Mar. 22, 2005**

DESCRIPTION

(51) **LOC (8) Cl.** **14-03**

FIG. 1 is a perspective view of the ornamental design of the present invention;

(52) **U.S. Cl.** **D14/126**

FIG. 2 is a front elevational view of the ornamental design of the present invention;

(58) **Field of Classification Search** D14/125–134,
D14/239, 371, 374–376; 312/7.2; 348/836,
348/838, 180, 184, 325, 739; 341/12; 248/917–924;
345/104, 133, 156, 168, 87, 173; 353/74;
D10/106; D13/164

FIG. 3 is a rear elevational view of the ornamental design of the present invention;

FIG. 4 is a left side elevational view of the ornamental design of the present invention;

See application file for complete search history.

FIG. 5 is a right side elevational view of the ornamental design of the present invention;

FIG. 6 is a top plan view of the ornamental design of the present invention; and,

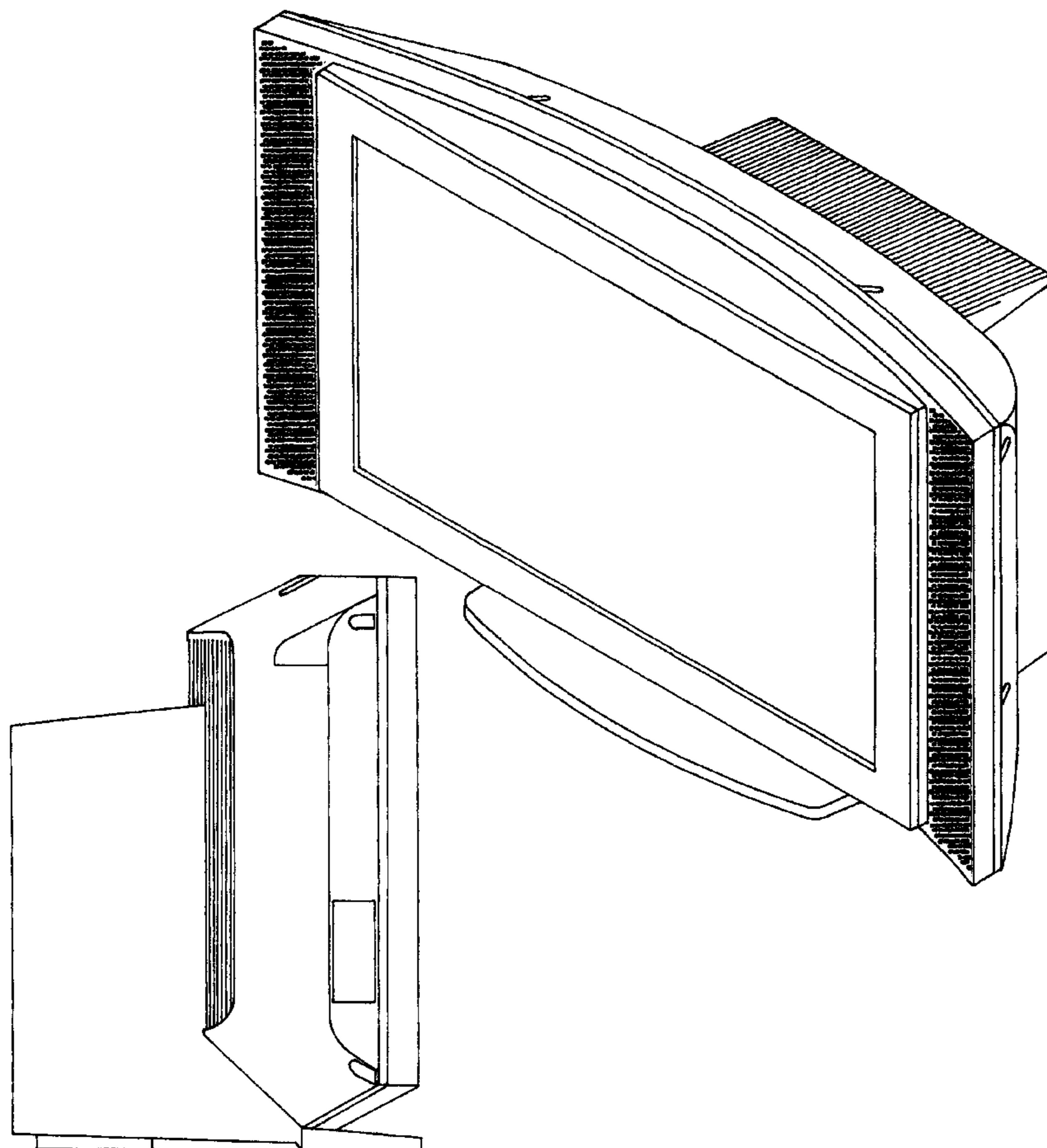
FIG. 7 is a bottom view of the ornamental design of the present invention.

(56) **References Cited**

U.S. PATENT DOCUMENTS

D368,254 S * 3/1996 Meschter et al. D14/337
D504,669 S * 5/2005 Fujiki D14/126
D505,405 S * 5/2005 Honda et al. D14/128

1 Claim, 7 Drawing Sheets



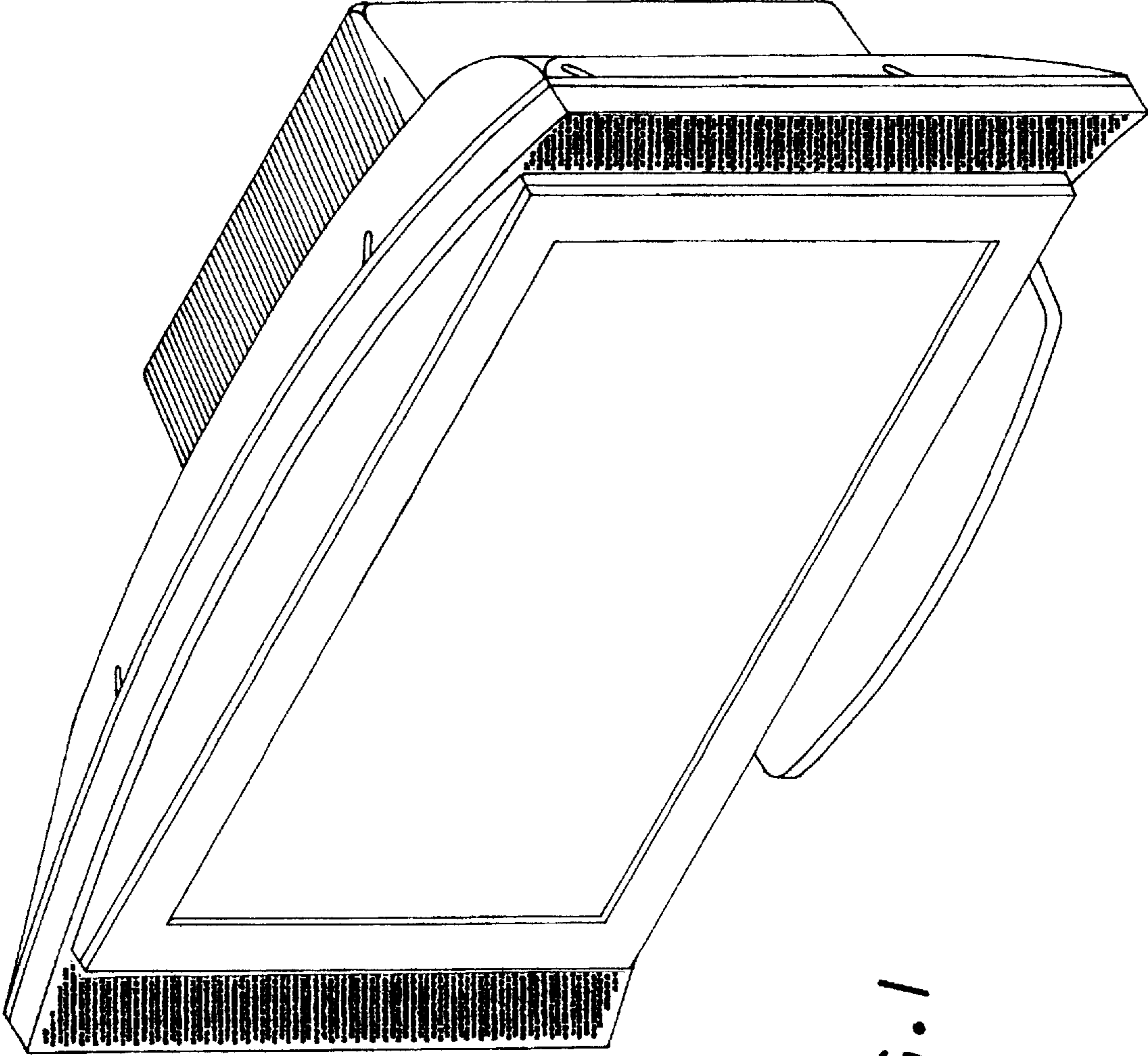


FIG. 1

FIG. 2

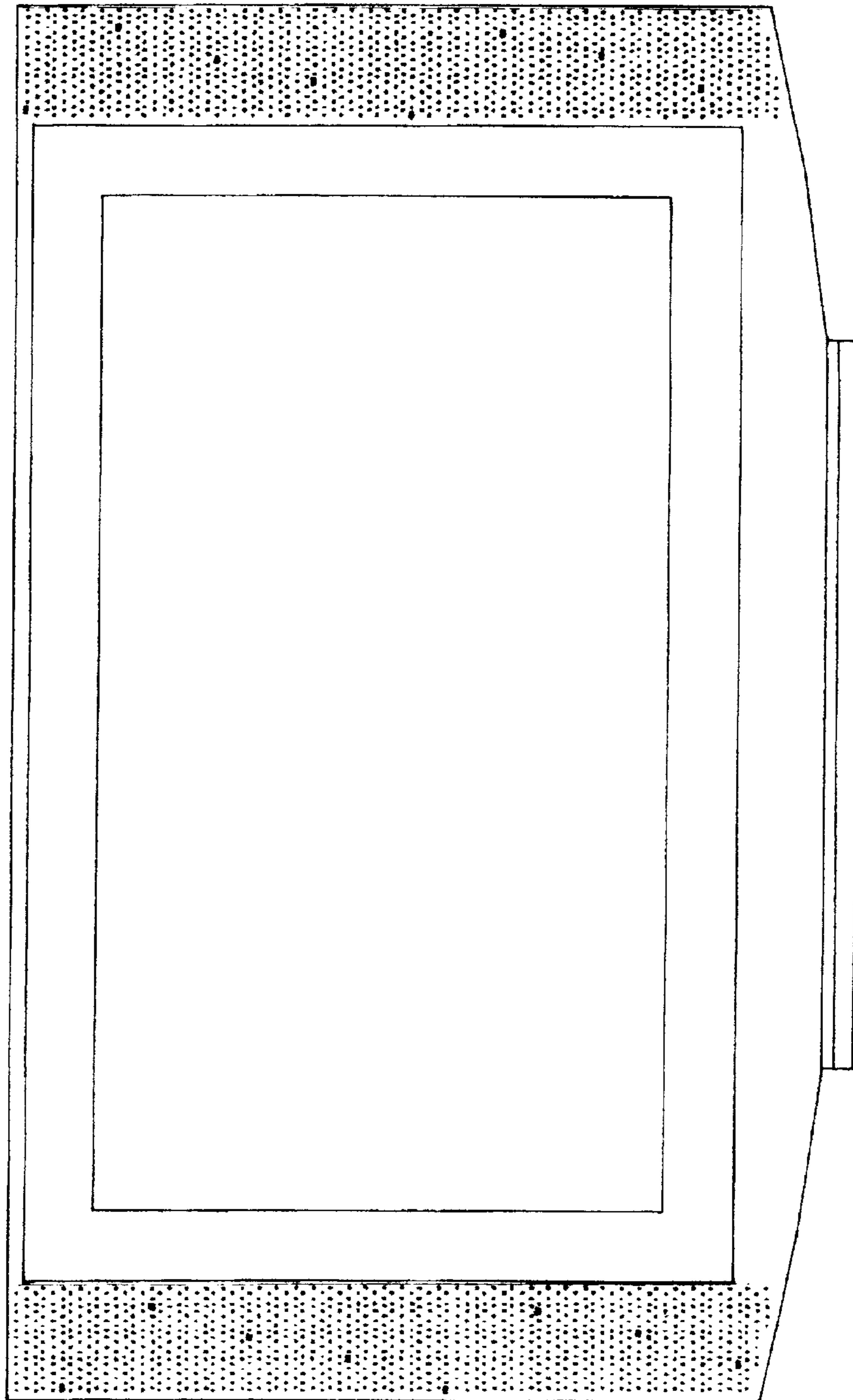


FIG. 3

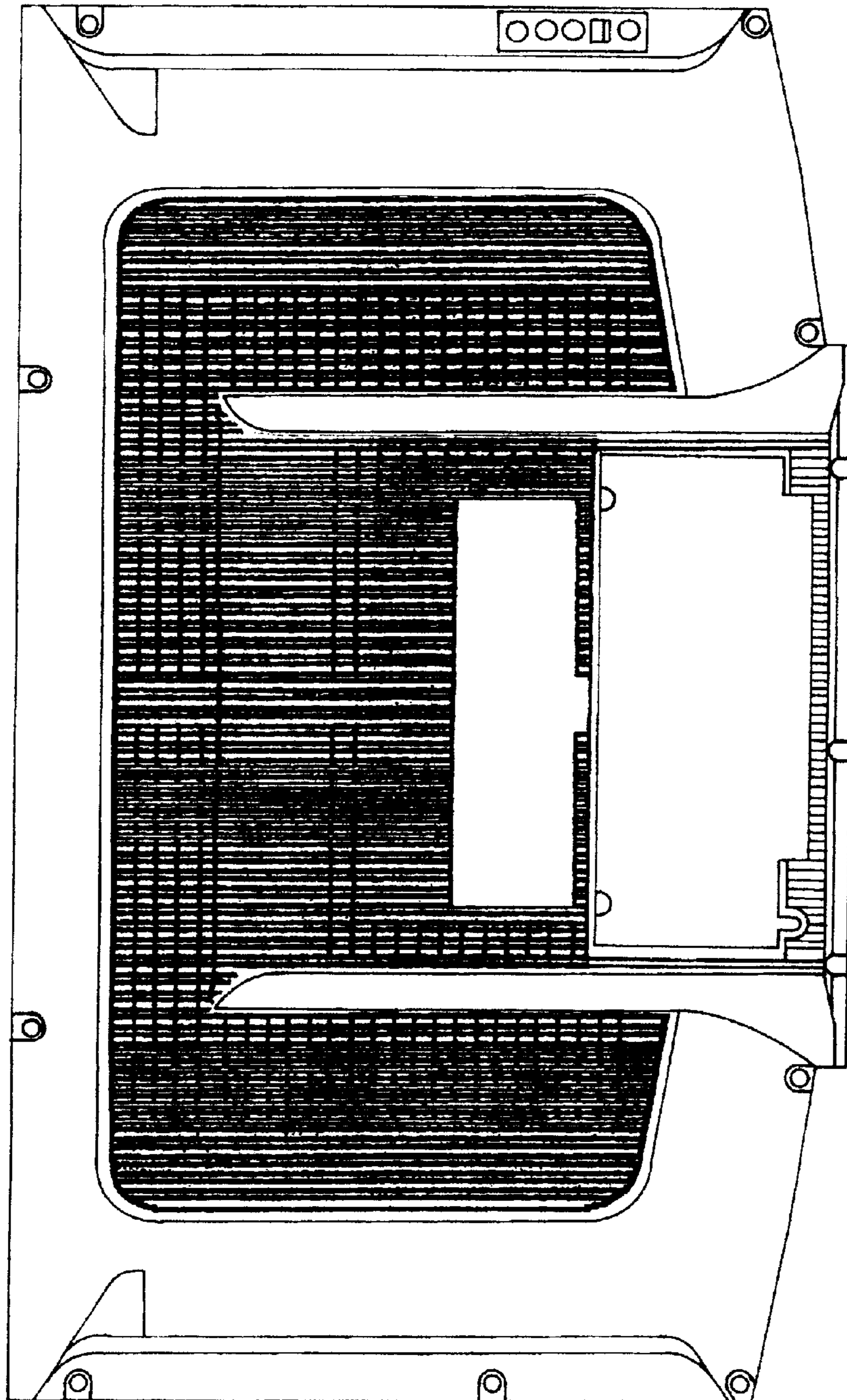


FIG. 4

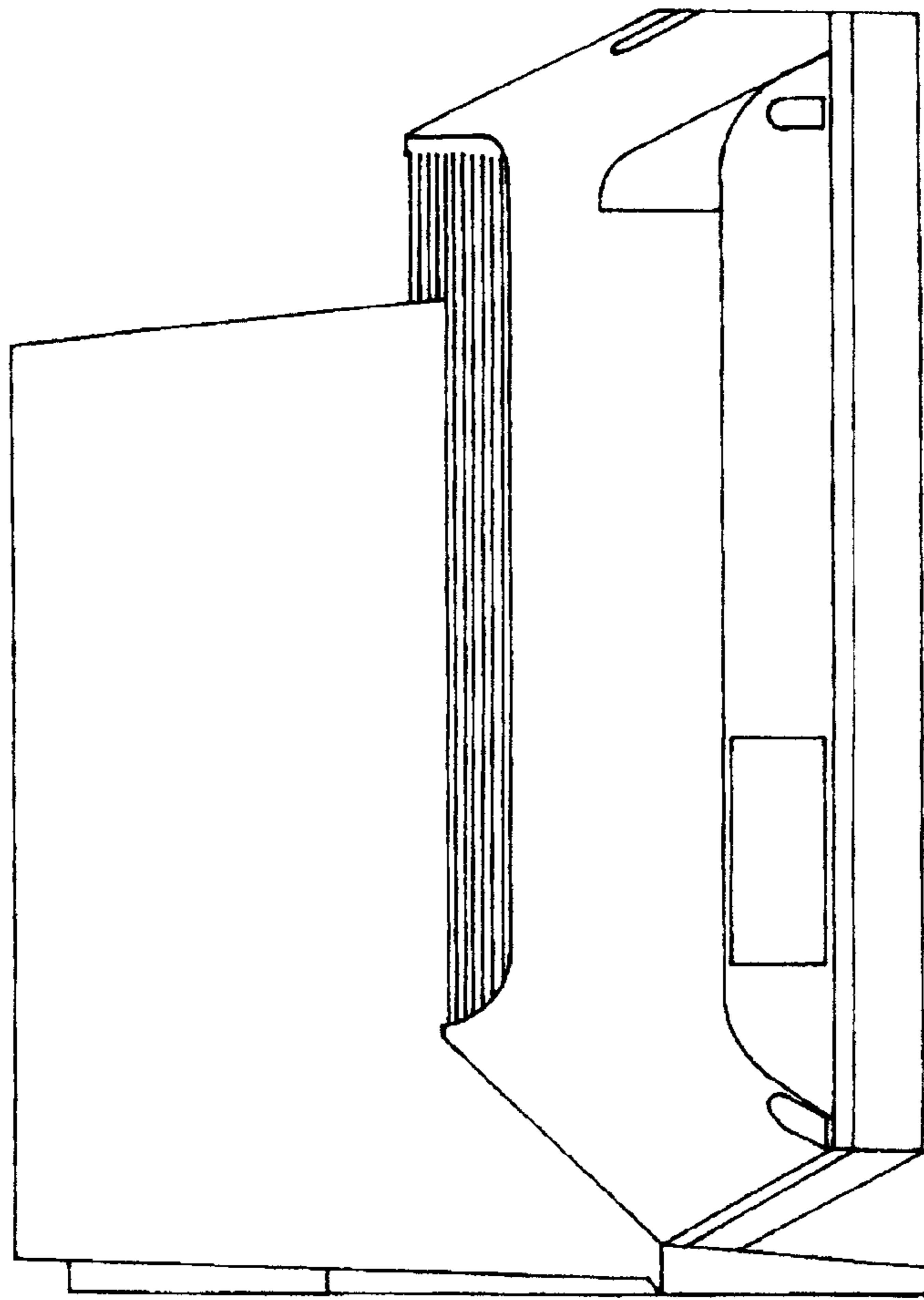


FIG. 5

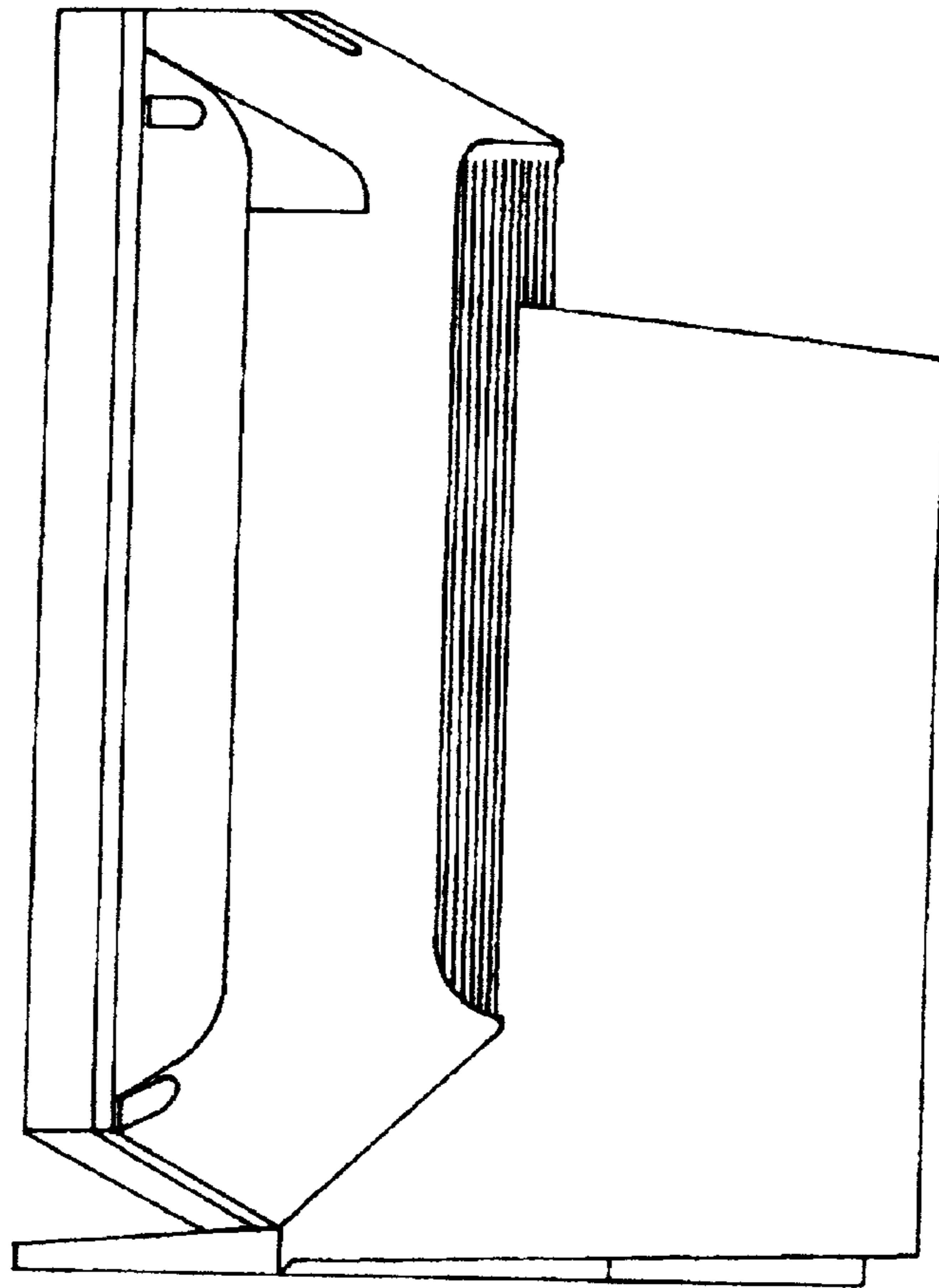


FIG. 6

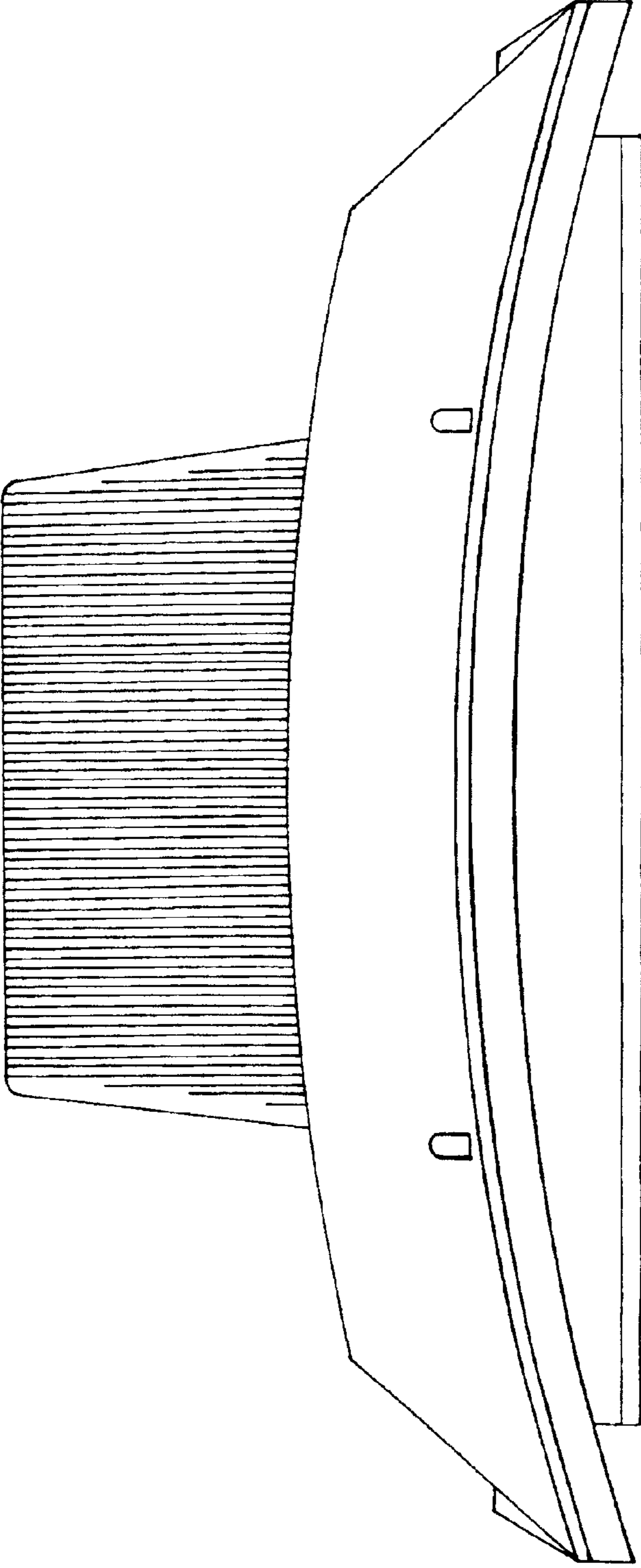


FIG. 7

