



US00D541234S

(12) **United States Design Patent**
Iijima et al.

(10) **Patent No.:** **US D541,234 S**
(45) **Date of Patent:** **** Apr. 24, 2007**

(54) **TELEVISION RECEIVER**

FOREIGN PATENT DOCUMENTS

(75) Inventors: **Yoshimune Iijima**, Tokyo (JP); **Kazuki Isono**, Tokyo (JP)

JP D1220608 S 10/2004

(73) Assignee: **Sony Corporation**, Tokyo (JP)

OTHER PUBLICATIONS

(**) Term: **14 Years**

Web page "KDL-L26RX2" <http://www.ecat.sony.co.jp/visual/tv/products/index.cfm?PD=16391&KM=KDL-L26RX2>, 1 sheet, Sony (Nov. 2004).

(21) Appl. No.: **29/222,344**

* cited by examiner

(22) Filed: **Jan. 31, 2005**

Primary Examiner—Philip Hyder

Assistant Examiner—Randall H. Gholson

(51) **LOC (8) Cl.** **14-03**

(74) *Attorney, Agent, or Firm*—Rader, Fishman & Grauer PLLC

(52) **U.S. Cl.** **D14/126**

(58) **Field of Classification Search** D14/125–135,
D14/239, 379, 371, 374, 375, 376, 113; D13/151,
D13/153; 312/7.2; 348/836, 838, 180, 184,
348/325, 739; 341/12; 248/917–924; 345/104,
345/133, 156, 168, 87, 173; 349/1, 2, 11,
349/62

(57) **CLAIM**

The ornamental design for a television receiver, as shown and described.

See application file for complete search history.

DESCRIPTION

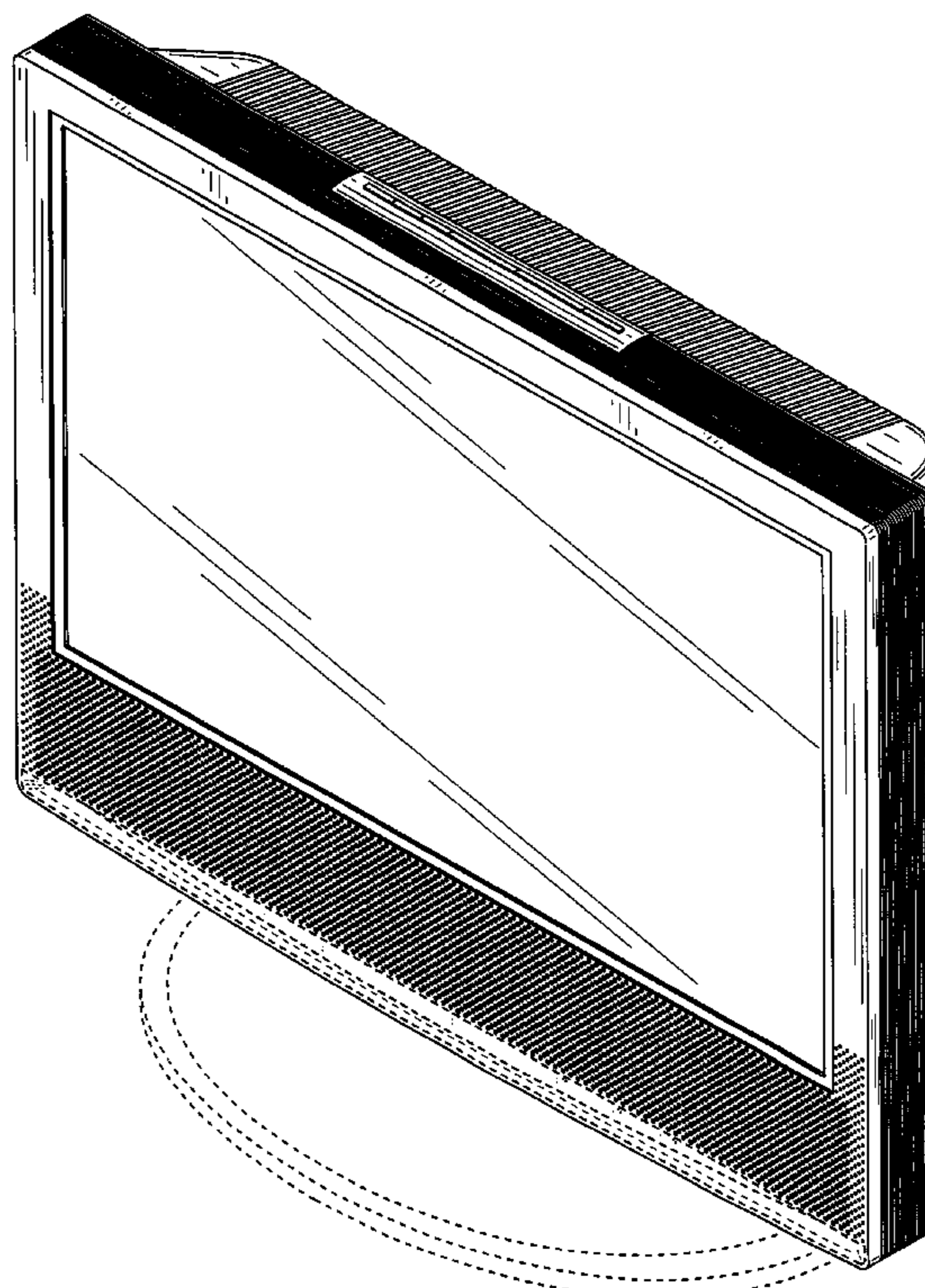
(56) **References Cited**

U.S. PATENT DOCUMENTS

| | | | | | |
|------------|---|---------|-----------------|-------|---------|
| D356,555 S | * | 3/1995 | Takemasa et al. | | D14/126 |
| D377,010 S | * | 12/1996 | Usui et al. | | D14/126 |
| D382,259 S | * | 8/1997 | Nagai et al. | | D14/374 |
| D427,169 S | * | 6/2000 | Saeki et al. | | D14/126 |
| D448,030 S | * | 9/2001 | Park | | D14/374 |
| D472,532 S | | 4/2003 | Niitsu | | |
| D474,162 S | * | 5/2003 | Kubota | | D14/126 |
| D501,451 S | * | 2/2005 | Harata | | D14/126 |
| D509,197 S | * | 9/2005 | Asawa et al. | | D14/126 |

FIG. 1 is a perspective view of a television receiver our new design;
FIG. 2 is a front elevational view thereof;
FIG. 3 is a rear elevational view thereof;
FIG. 4 is a left side elevational view thereof;
FIG. 5 is a right side elevational view thereof;
FIG. 6 is a top plan view thereof; and,
FIG. 7 is a bottom plan view thereof.
Portions of FIGS. 1–7 that are shown as broken lines are for illustrative purpose only and form no part of the claimed design.

1 Claim, 7 Drawing Sheets



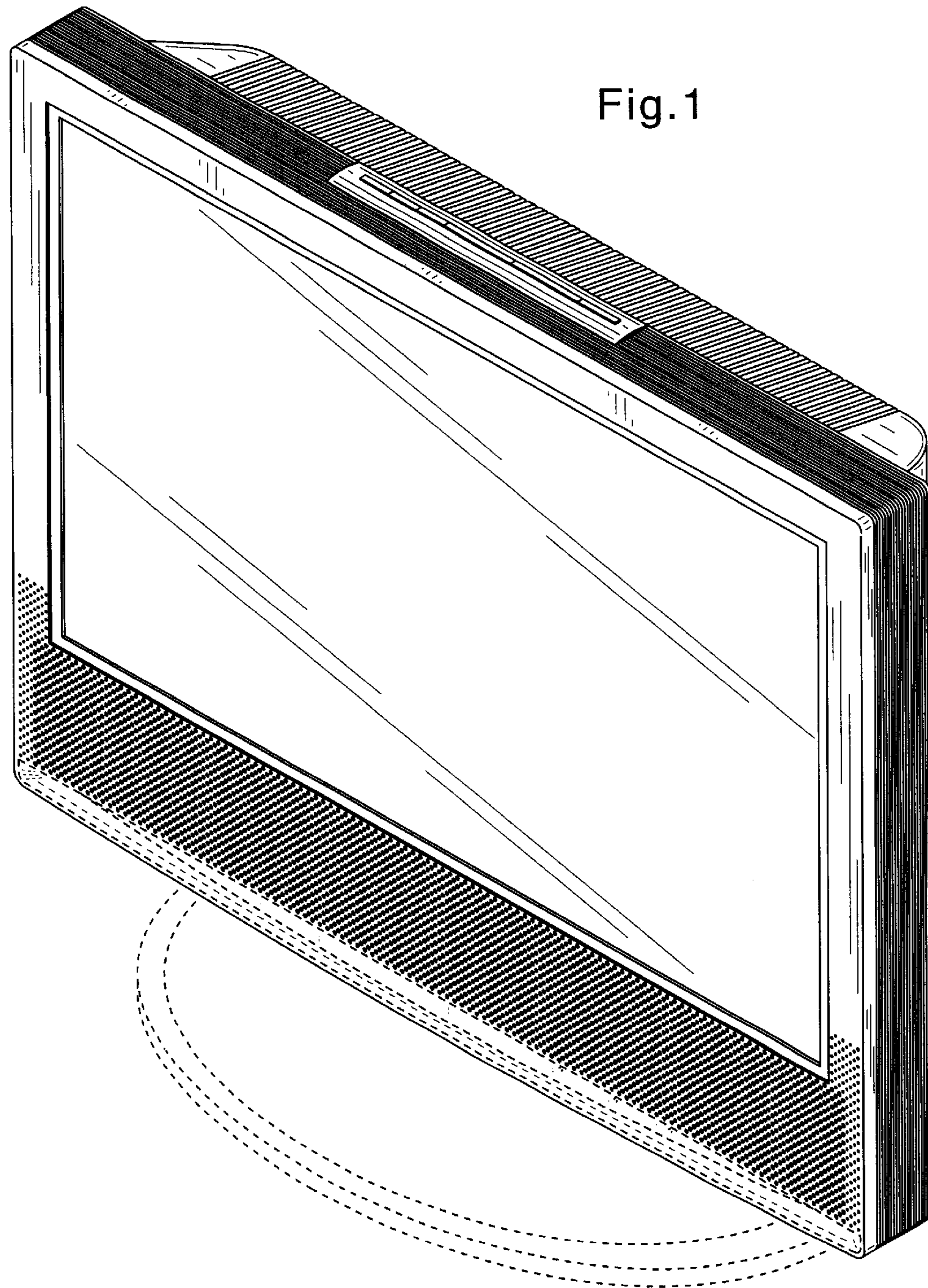


Fig. 1

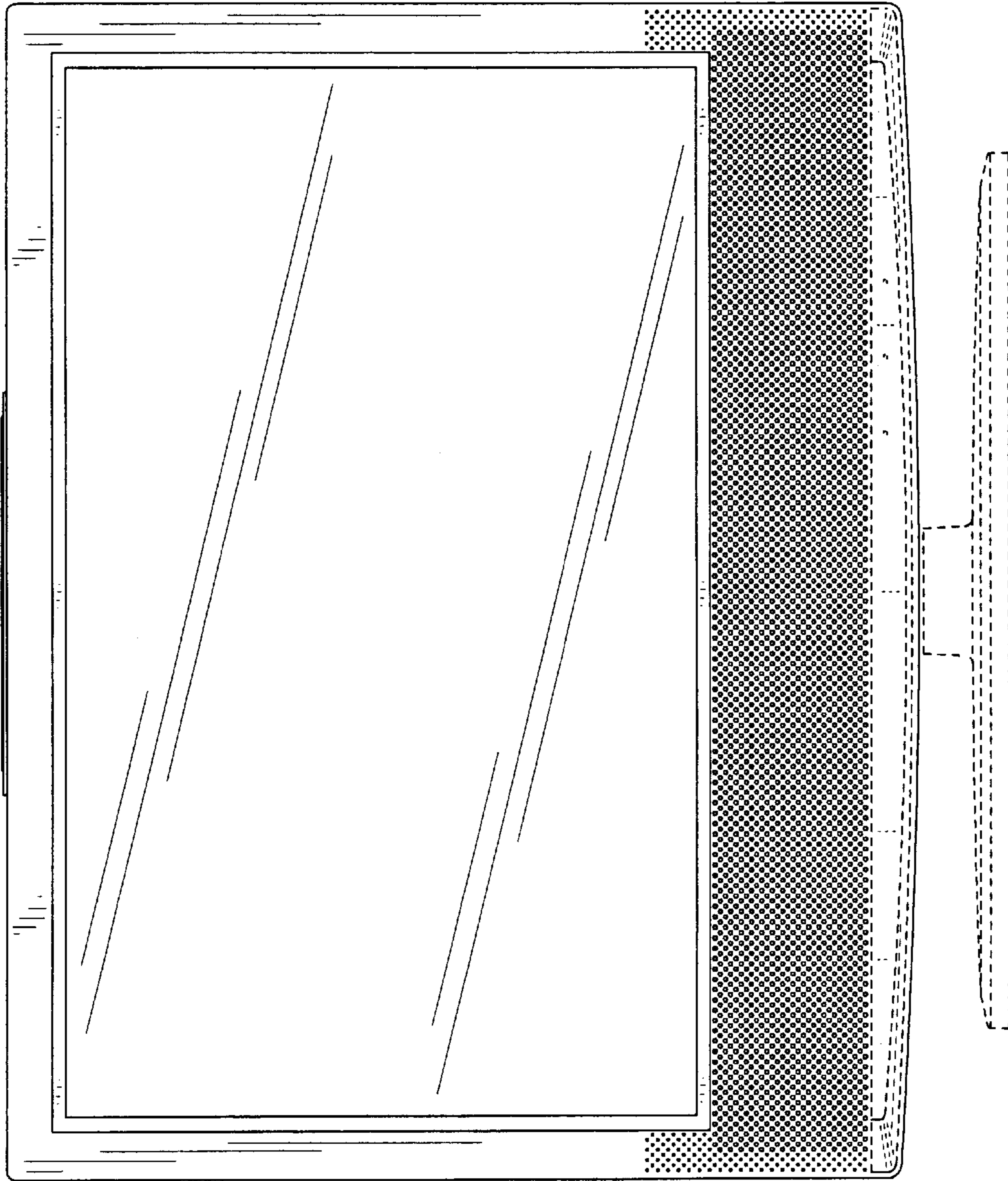


Fig.2

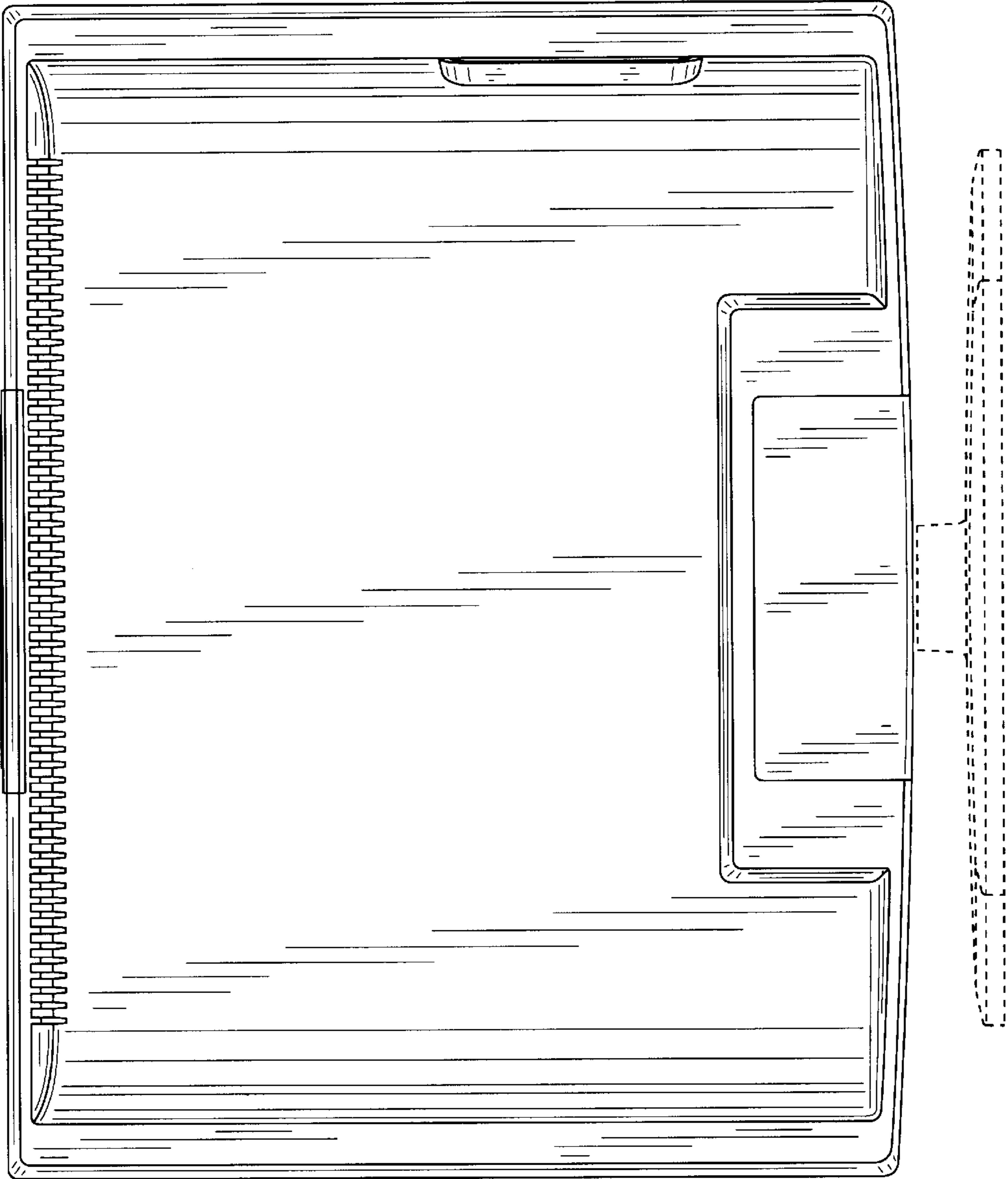


Fig. 3

Fig.4

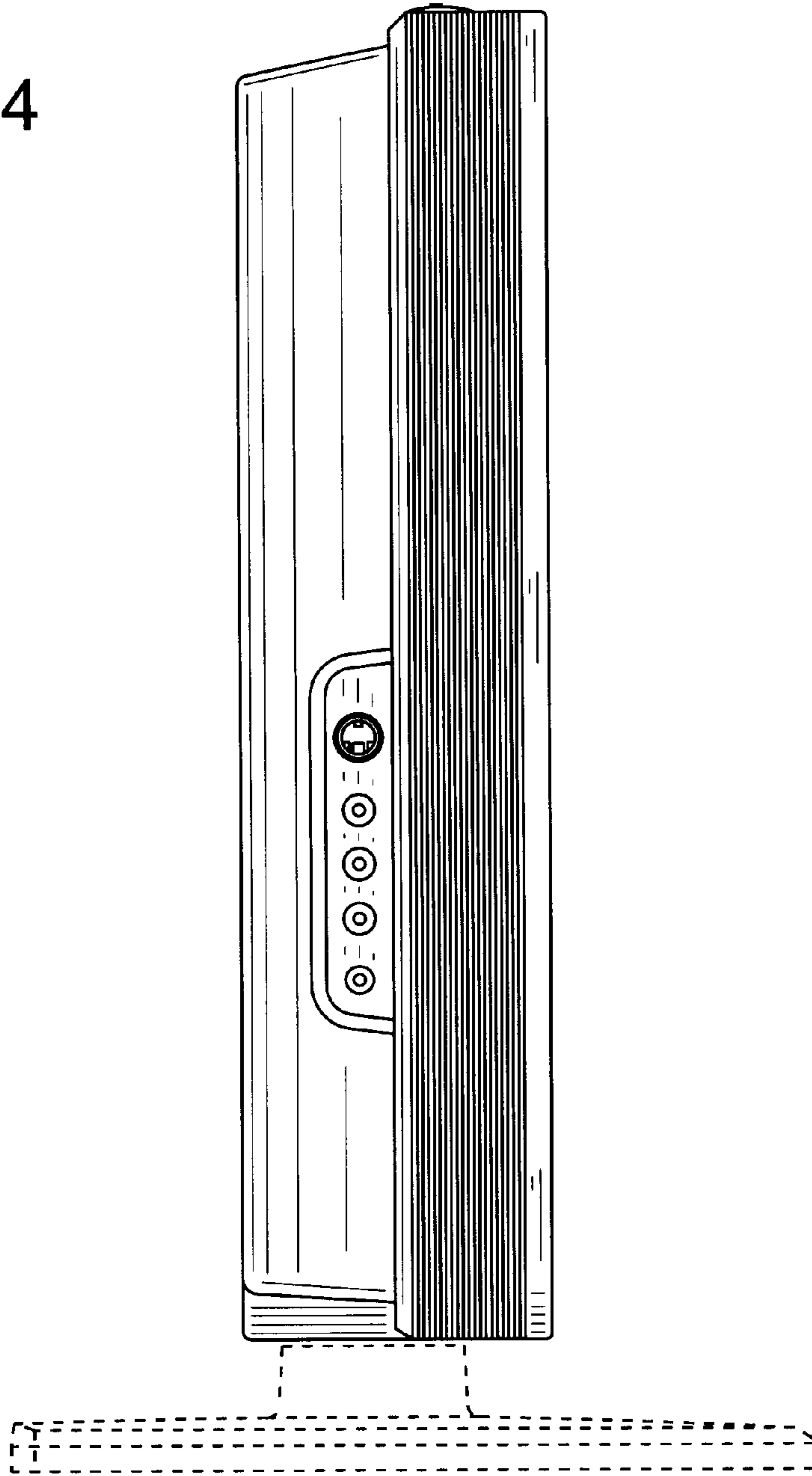
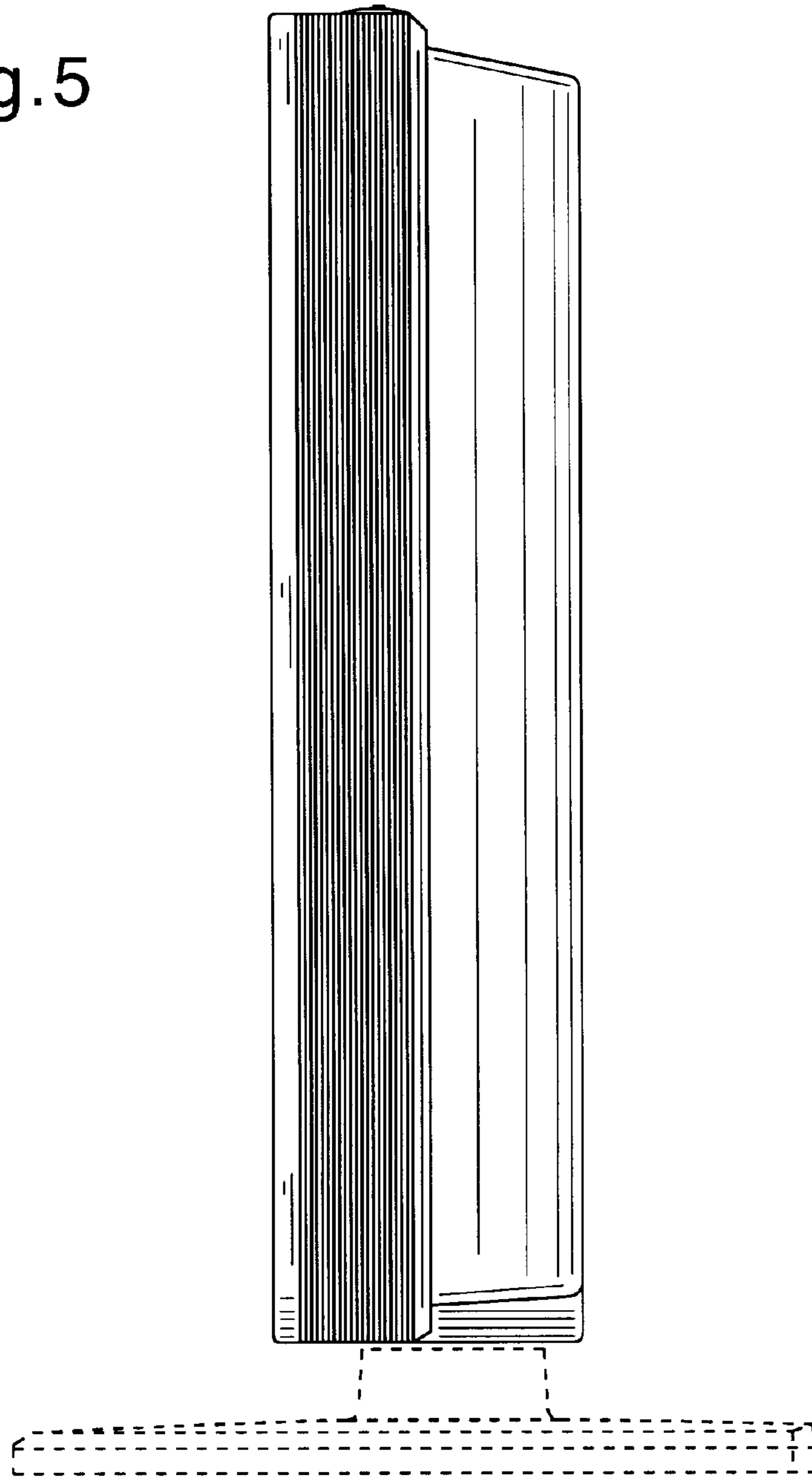


Fig.5



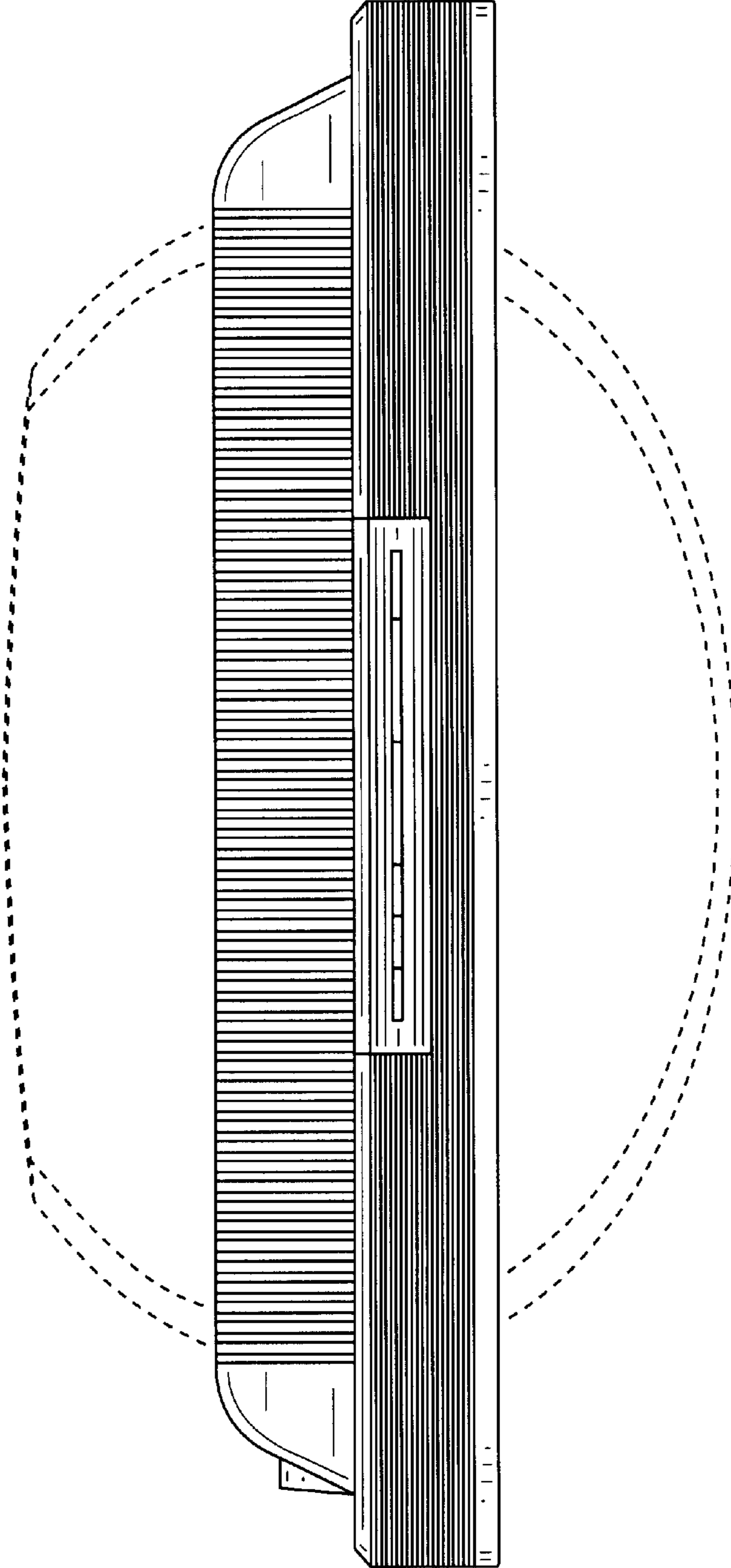


Fig.6

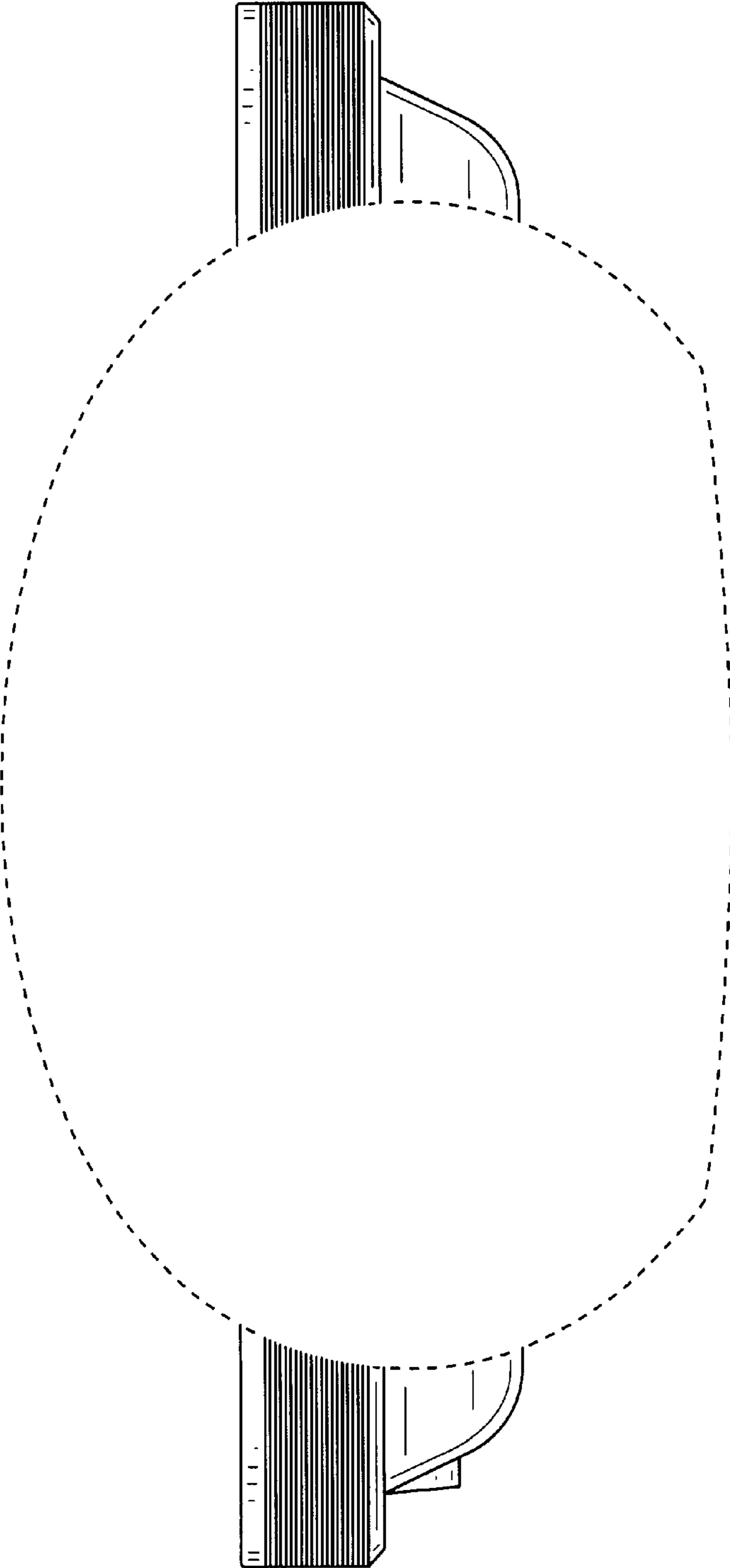


Fig. 7