



US00D541233S

(12) **United States Design Patent** (10) **Patent No.:** **US D541,233 S**  
**Hayes et al.** (45) **Date of Patent:** **\*\* Apr. 24, 2007**

(54) **FRONT PANEL FOR A ELECTRONIC HOUSING**

(75) Inventors: **Jonathan A. Hayes**, Seattle, WA (US);  
**Jeffery M. Reents**, Carnation, WA (US)

(73) Assignee: **Microsoft Corporation**, Redmond, WA (US)

(\*\*) Term: **14 Years**

(21) Appl. No.: **29/227,645**

(22) Filed: **Apr. 14, 2005**

(51) **LOC (8) Cl.** ..... **13-03**

(52) **U.S. Cl.** ..... **D13/184**

(58) **Field of Classification Search** ..... D13/160,  
D13/162, 164, 184; D14/349, 356, 441, 443,  
D14/444, 445, 446, 125, 257; 312/223.1;  
361/600, 601, 679, 685-690  
See application file for complete search history.

(56) **References Cited**

**U.S. PATENT DOCUMENTS**

D287,243 S	*	12/1986	Tope	.....	D13/164
D380,447 S	*	7/1997	Chen et al.	.....	D13/164
5,649,839 A	*	7/1997	Yu	.....	439/650
D390,202 S	*	2/1998	Goto	.....	D14/349
D416,264 S	*	11/1999	Althans et al.	.....	D14/257
D433,681 S	*	11/2000	Jean et al.	.....	D14/349
D458,218 S	*	6/2002	Reynolds	.....	D13/110
D490,372 S	*	5/2004	Lee et al.	.....	D13/110
D496,049 S	*	9/2004	Heinz et al.	.....	D14/444
D497,906 S	*	11/2004	Kellom et al.	.....	D14/257

D499,109 S	*	11/2004	Chen et al.	.....	D14/446
D512,419 S	*	12/2005	Juszkiewicz et al.	.....	D14/257
D514,076 S	*	1/2006	Albano et al.	.....	D13/184
D514,118 S	*	1/2006	Christianson	.....	D14/496
2006/0146492 A1	*	7/2006	Reents et al.	.....	361/685

**OTHER PUBLICATIONS**

Dell Optiplex GX60 computer hardware, Dell, Inc. on or about Aug. 31, 2004.

\* cited by examiner

*Primary Examiner*—Selina Sikder

(74) *Attorney, Agent, or Firm*—Banner & Witcoff, Ltd.

(57) **CLAIM**

The ornamental design for a front panel for an electronic housing, as shown and described.

**DESCRIPTION**

FIG. 1 is a front perspective view of a front panel for an electronic housing showing our new design;

FIG. 2 is a front view thereof;

FIG. 3 is a top view thereof;

FIG. 4 is a bottom view thereof;

FIG. 5 is a right end view thereof;

FIG. 6 is a left end view thereof; and,

FIG. 7 is a bottom view thereof.

The broken line bounded unshaded regions in FIGS. 1-6 form no part of the claimed design. The unshaded portions in FIGS. 1 and 5-7 form no part of the claimed design. The broken line regions in FIG. 7 are for illustrative purposes only and form no part of the claimed design.

**1 Claim, 4 Drawing Sheets**

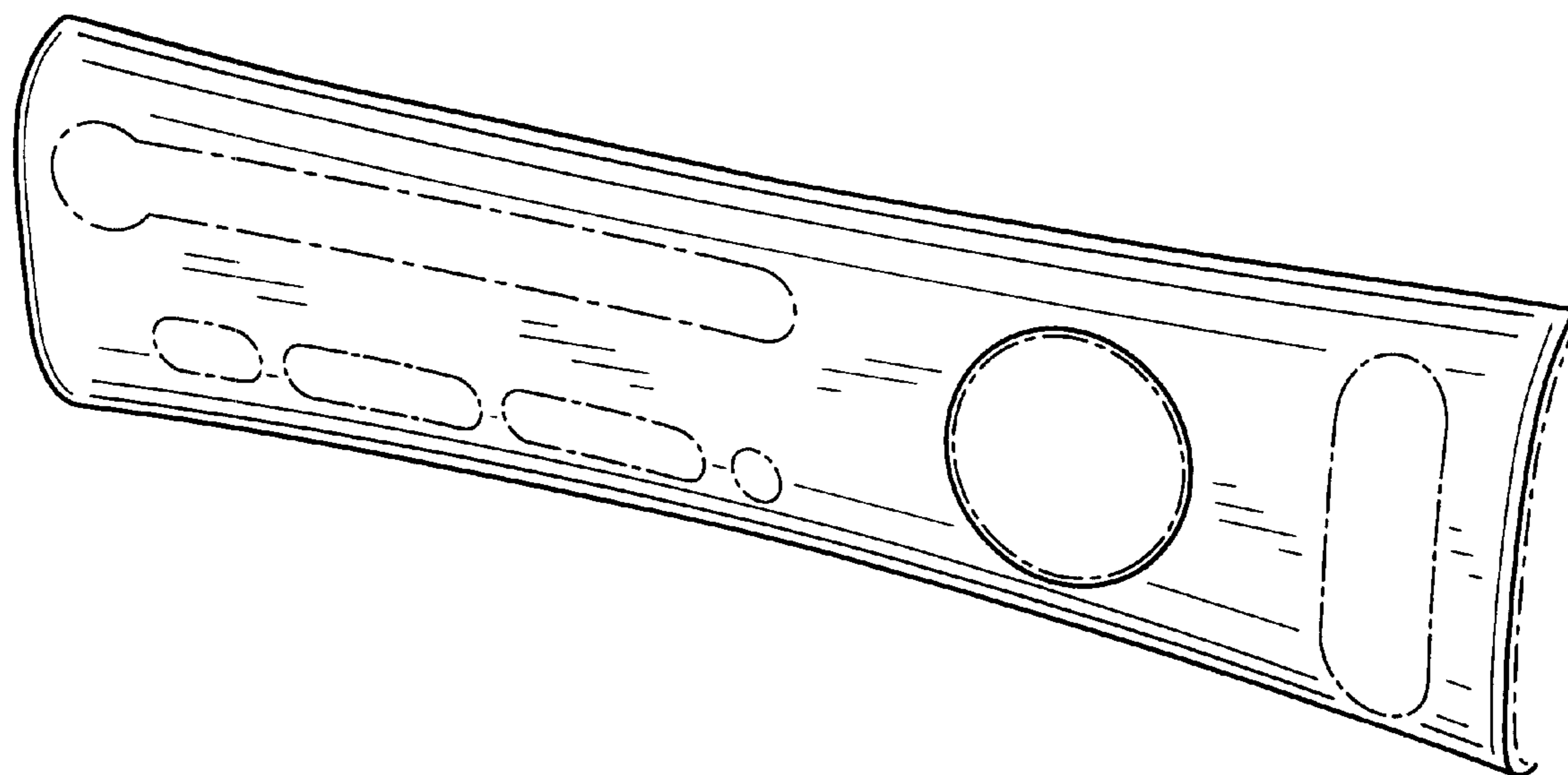


FIG. 1

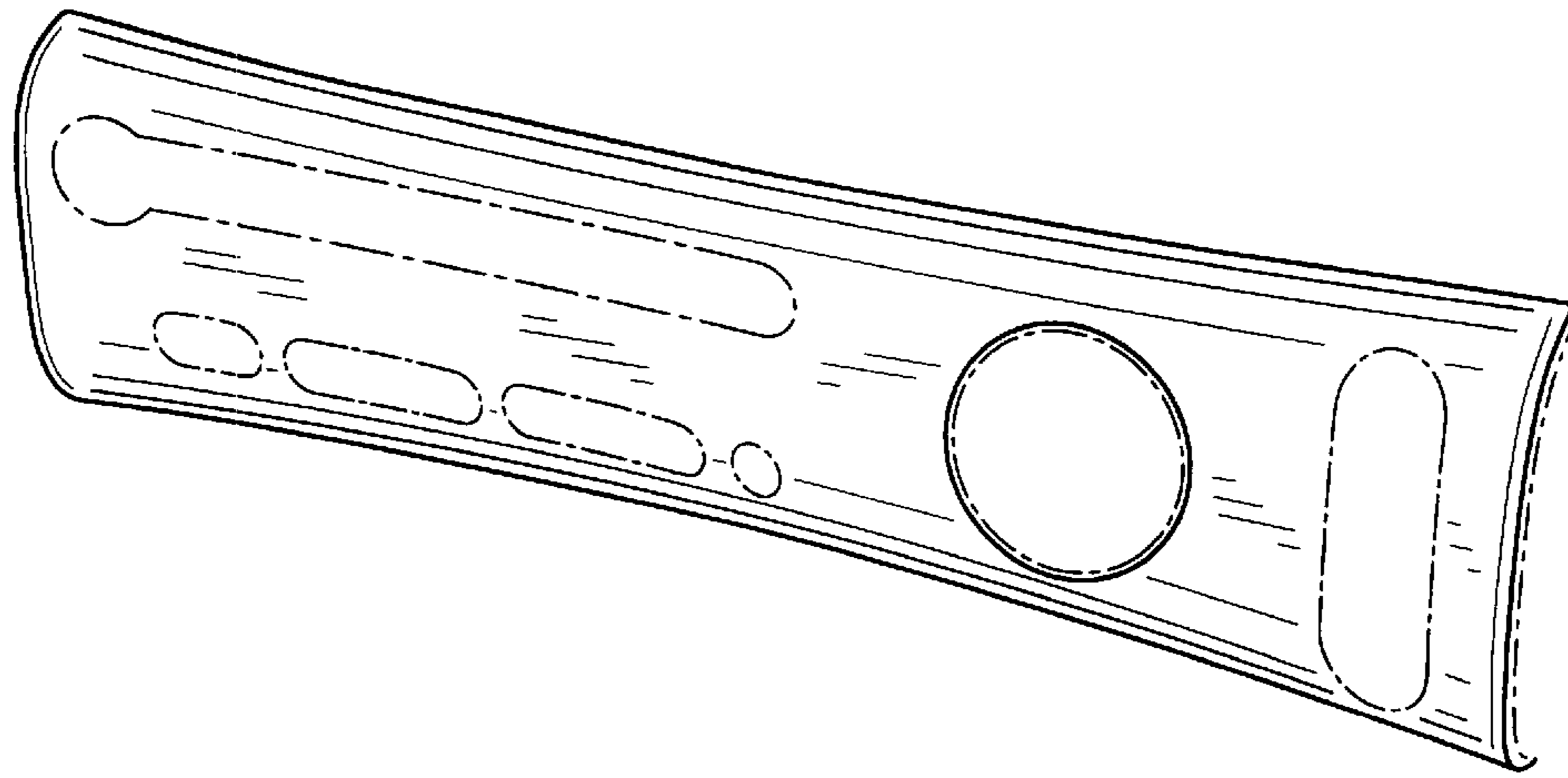


FIG. 2

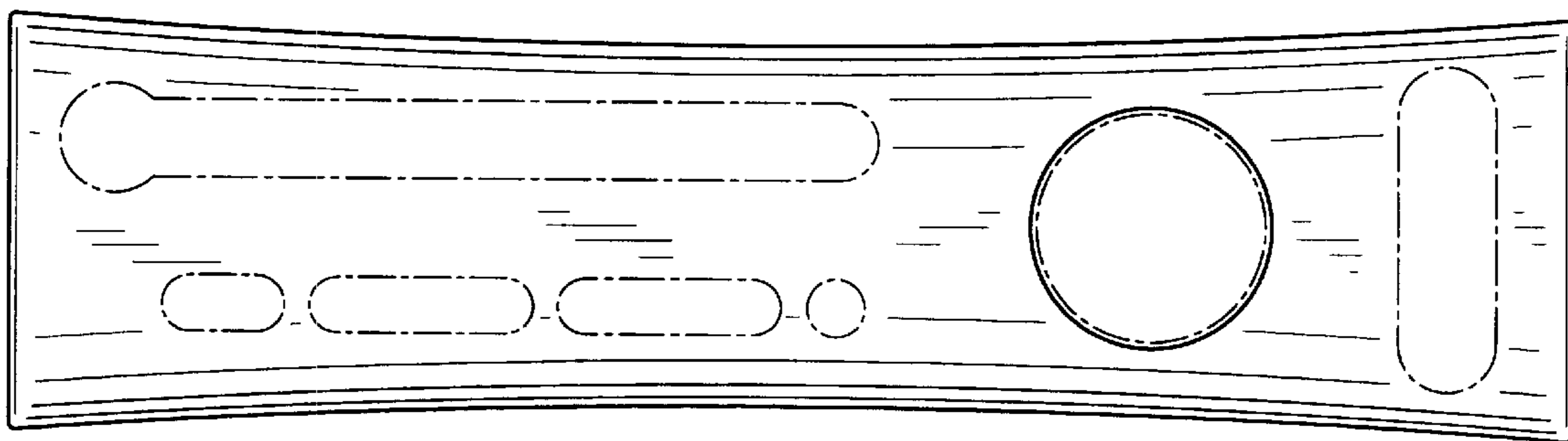


FIG. 3

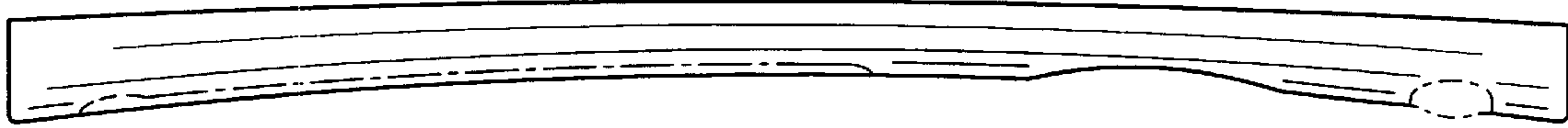
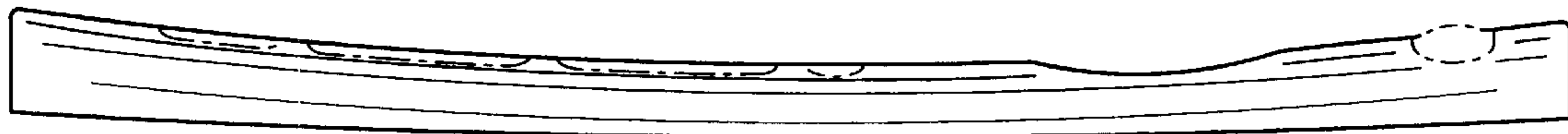
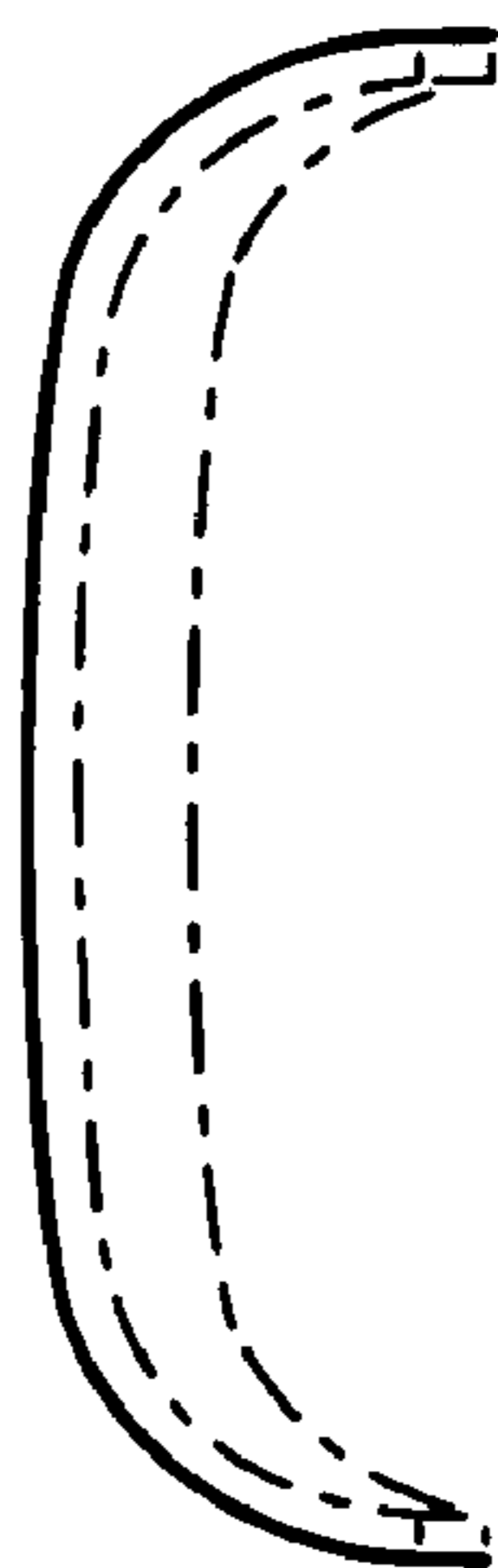


FIG. 4



**FIG. 5**



**FIG. 6**

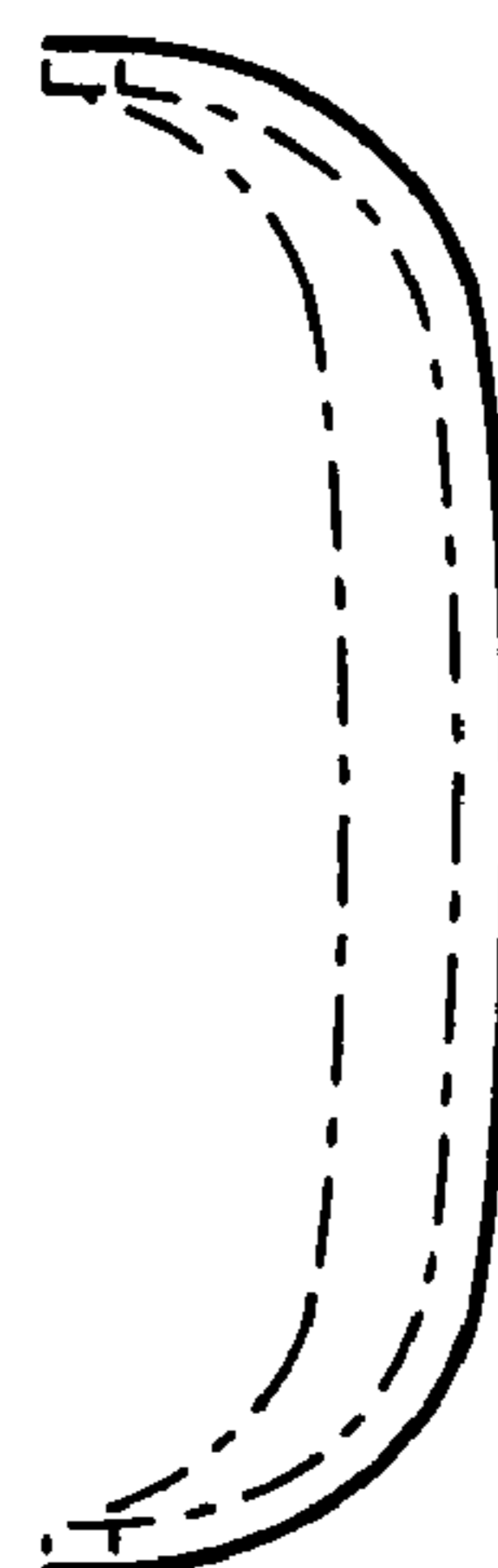


FIG. 7

