

US00D541232S

(12) **United States Design Patent**  
**Lee et al.**

(10) **Patent No.:** **US D541,232 S**  
(45) **Date of Patent:** **\*\* Apr. 24, 2007**

(54) **RADIATOR FOR ELECTRONIC PARTS**

(75) Inventors: **Sang Cheol Lee**, Kunpo (KR); **Sun Gyu Yoon**, Suwon (KR); **Sang Jun Jung**, Seoul (KR)

(73) Assignee: **Zalman Tech Co., Ltd.** (KR)

(\*\*) Term: **14 Years**

(21) Appl. No.: **29/245,095**

(22) Filed: **Dec. 19, 2005**

(51) **LOC (8) Cl.** ..... **13-03**

(52) **U.S. Cl.** ..... **D13/179**

(58) **Field of Classification Search** ..... D13/179;

D23/370; 165/80.3, 104.33, 121, 122, 146,  
165/185; 174/16.3; 257/706, 707, 718-722;  
361/687, 695, 697, 700, 702, 704, 709-711,  
361/719

See application file for complete search history.

(56) **References Cited**

**U.S. PATENT DOCUMENTS**

4,715,438 A \* 12/1987 Gabuzda et al. .... 165/185

D426,196 S \* 6/2000 Lee ..... D13/179  
D426,814 S \* 6/2000 Lee ..... D13/179  
6,702,002 B2 \* 3/2004 Wang ..... 165/80.3  
6,942,020 B2 \* 9/2005 Chen et al. .... 165/104.21  
2006/0060332 A1 \* 3/2006 Wang et al. .... 165/104.33

\* cited by examiner

*Primary Examiner*—Selina Sikder

(74) *Attorney, Agent, or Firm*—Tuchman & Park LLC

(57) **CLAIM**

The ornamental design for a radiator for electronic parts, as shown and described.

**DESCRIPTION**

FIG. 1 is a perspective view of a radiator for electronic parts in accordance with the new design;

FIG. 2 is a front elevational view thereof;

FIG. 3 is a right side elevational view thereof;

FIG. 4 is a top plan view thereof; and,

FIG. 5 is a bottom plan view thereof.

**1 Claim, 5 Drawing Sheets**

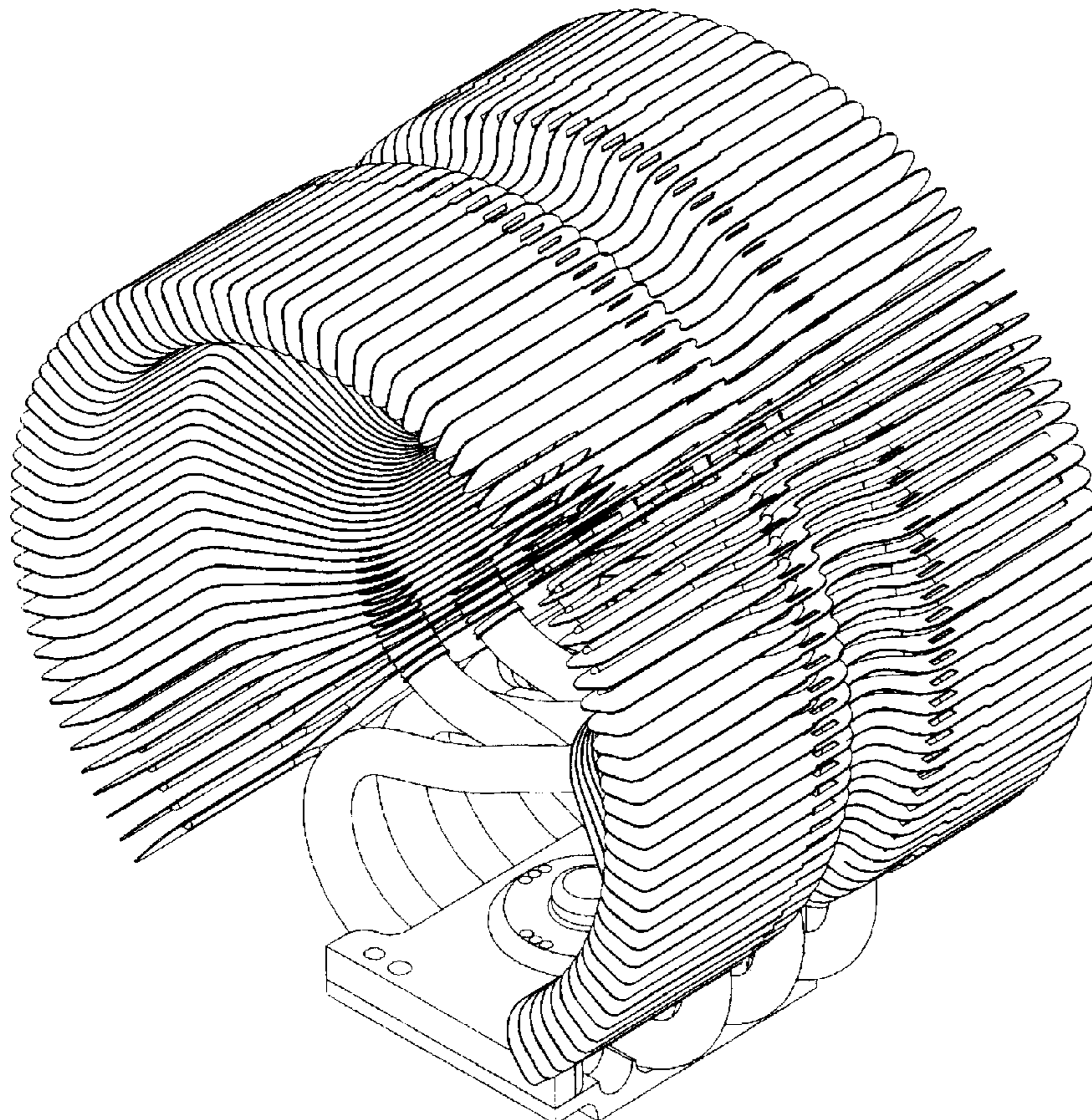


FIG. 1

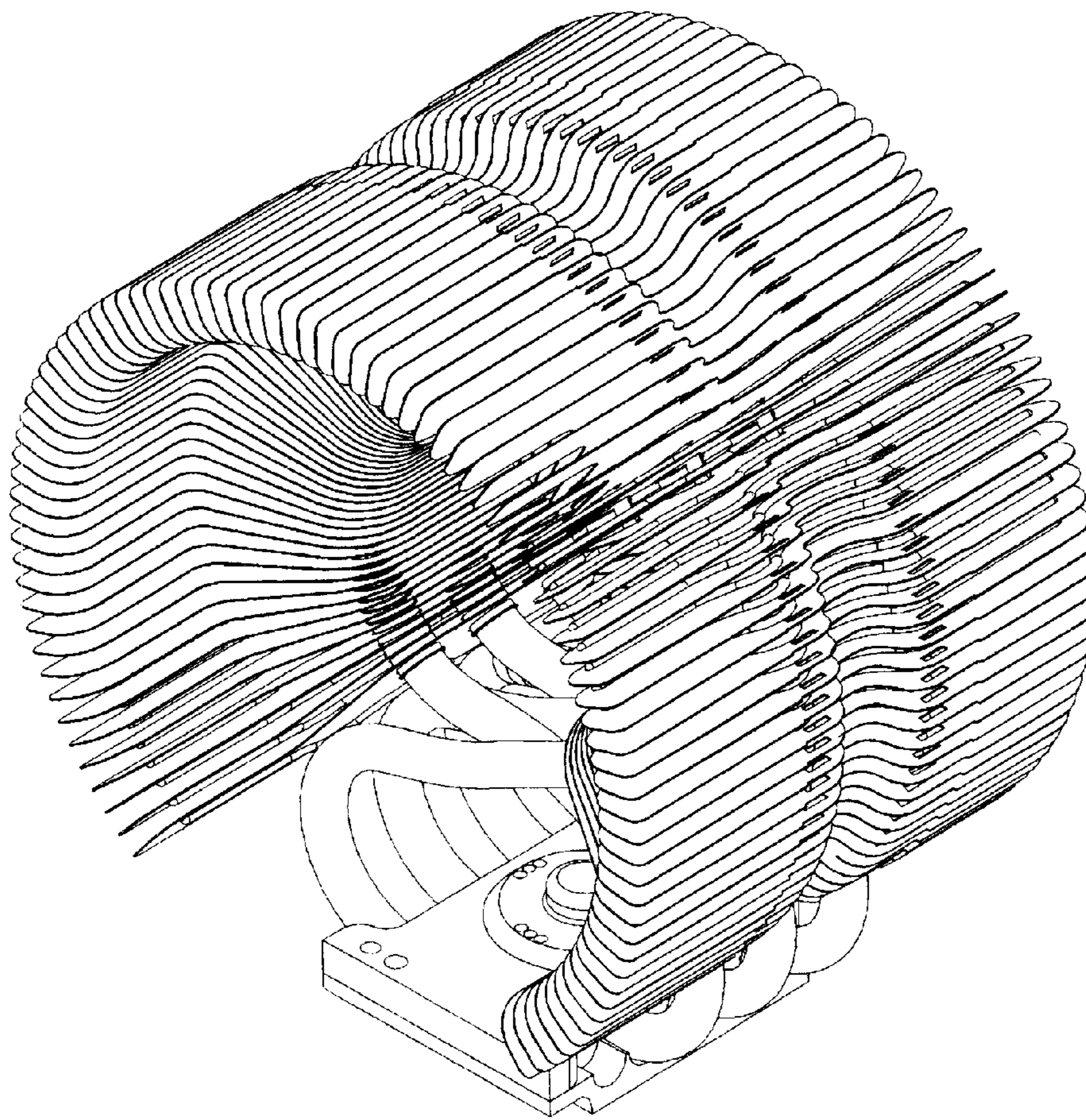




FIG. 2

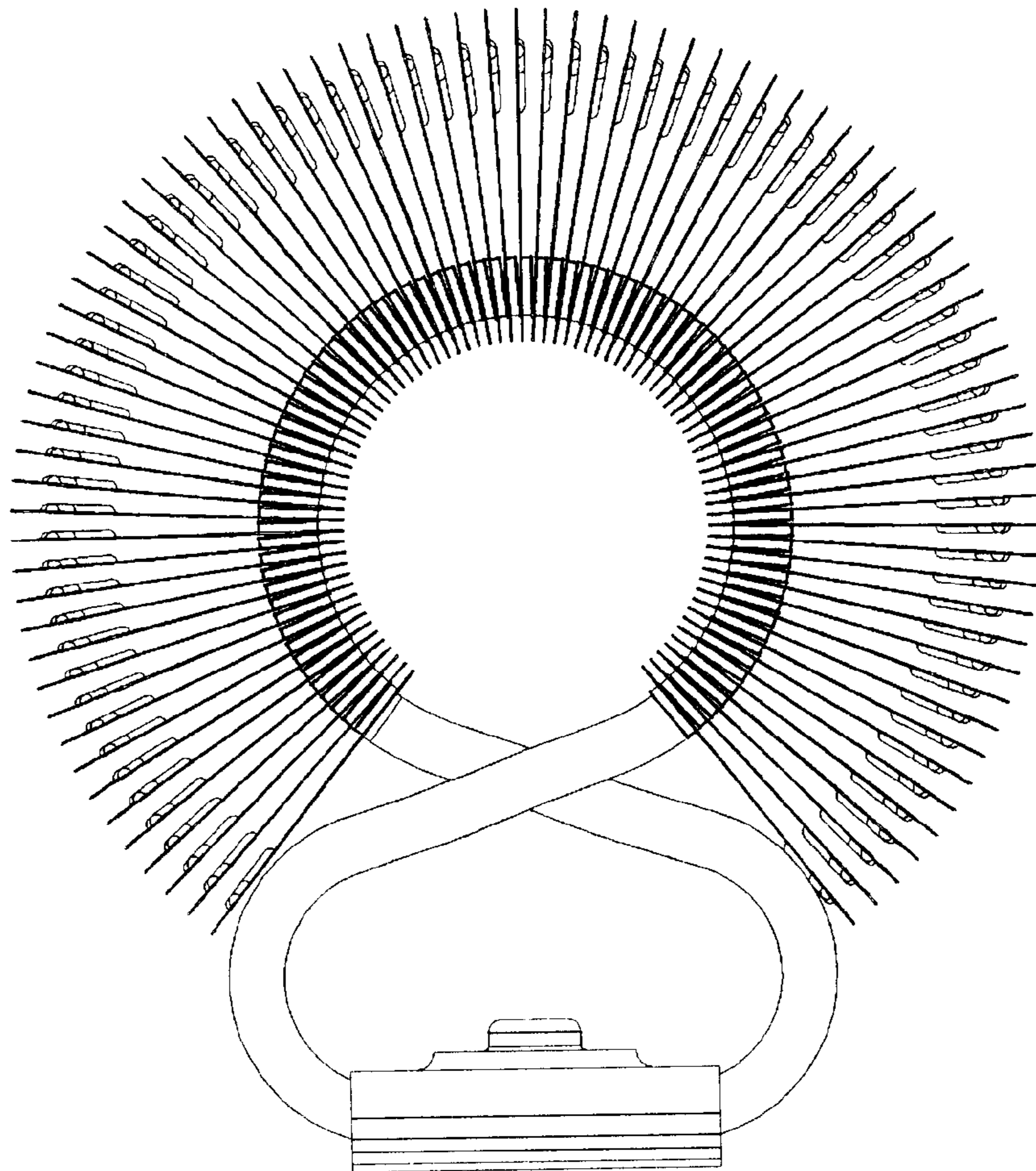


FIG. 3

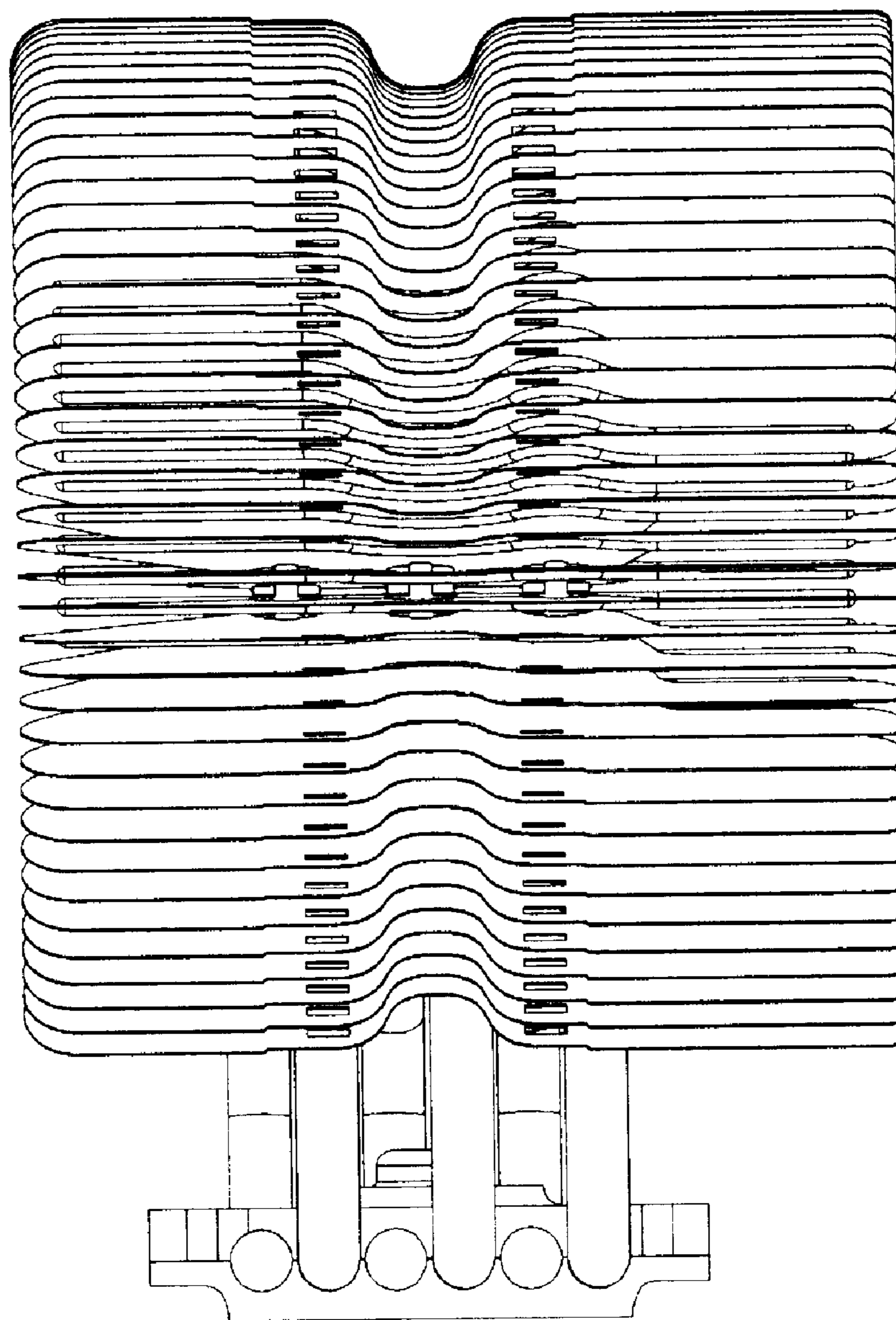


FIG. 4

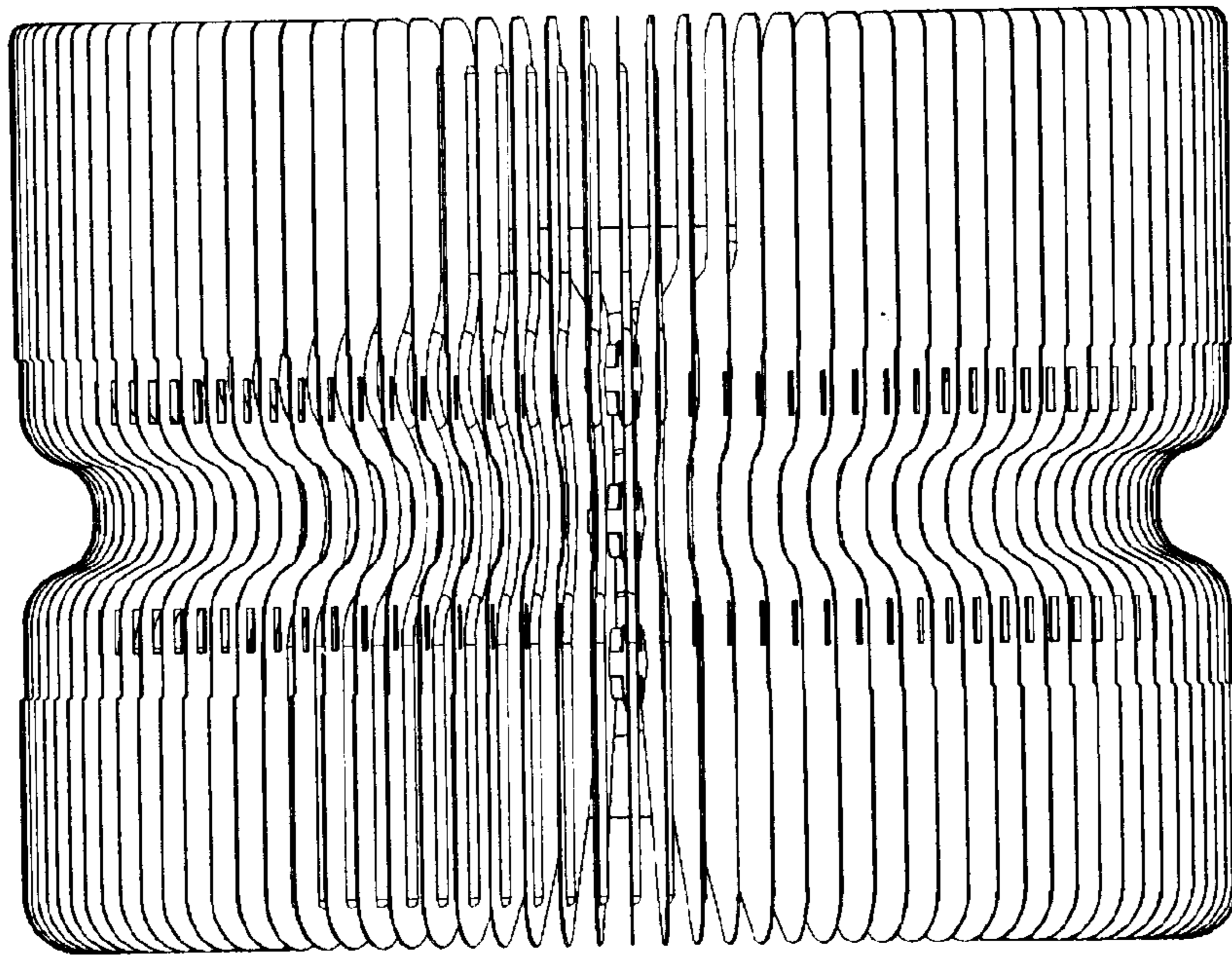


FIG. 5

