

US00D541222S

(12) **United States Design Patent**
Mayo et al.

(10) **Patent No.:** **US D541,222 S**

(45) **Date of Patent:** **** Apr. 24, 2007**

(54) **DIMMER SWITCH**

(75) Inventors: **Noel Mayo**, Philadelphia, PA (US);
Edward J. Blair, Lansdale, PA (US);
Gregory M. Herwig, Emmaus, PA
(US); **Elliot G. Jacoby**, Glenside, PA
(US)

(73) Assignee: **Lutron Electronics Co., Inc.**,
Coopersburg, PA (US)

(**) Term: **14 Years**

(21) Appl. No.: **29/229,080**

(22) Filed: **May 3, 2005**

(51) **LOC (8) Cl.** **13-03**

(52) **U.S. Cl.** **D13/162**; D13/169

(58) **Field of Classification Search** D13/162,
D13/164, 169, 170, 171; D10/108, 116, 118;
D8/353; 200/5 A, 293, 296, 297, 329, 333,
200/335, 339, 341, 520, 530, 537, 552; 220/241;
307/125, 139; 315/291-296

See application file for complete search history.

(56) **References Cited**

U.S. PATENT DOCUMENTS

D227,577 S	7/1973	Mayo	D26/13
D241,853 S	10/1976	Spira et al.	D26/13
D253,342 S	11/1979	Mayo	D13/32
4,833,277 A	5/1989	Jacoby, Jr. et al.	174/66
4,939,383 A *	7/1990	Tucker et al.	307/139
4,947,054 A	8/1990	Flowers et al.	307/125
D316,248 S *	4/1991	Dob	D13/162
D325,567 S	4/1992	Jacoby, Jr. et al.	D13/158
5,191,971 A	3/1993	Hakkarainen et al.	200/550
D335,282 S	5/1993	Jurrell et al.	D13/170
D339,326 S	9/1993	Mayo et al.	D8/350
D384,646 S *	10/1997	Miller et al.	D13/170
D457,145 S *	5/2002	Pagano et al.	D13/169
D457,863 S	5/2002	Jacoby	D13/170
D463,382 S	9/2002	Jacoby	D13/170
D477,575 S *	7/2003	Mayo et al.	D13/171
D482,007 S *	11/2003	Mayo et al.	D13/171
D501,449 S *	2/2005	Thomas, Jr.	D13/169
2003/0089587 A1 *	5/2003	Mayo et al.	200/329

* cited by examiner

Primary Examiner—Selina Sikder

(74) *Attorney, Agent, or Firm*—Drinker Biddle & Reath
LLP

(57) **CLAIM**

The ornamental design for a dimmer switch, as shown and
described.

DESCRIPTION

FIG. 1 is a perspective view of a dimmer switch according
to a first embodiment of our new design.

FIG. 2 is a front view thereof.

FIG. 3 is a left side view thereof.

FIG. 4 is a right side view thereof.

FIG. 5 is a top view thereof.

FIG. 6 is a bottom view thereof.

FIG. 7 is a perspective view of a dimmer switch according
to a second embodiment of our new design.

FIG. 8 is a front view thereof.

FIG. 9 is a left side view thereof.

FIG. 10 is a right side view thereof.

FIG. 11 is a top view thereof.

FIG. 12 is a bottom view thereof.

FIG. 13 is a perspective view of a dimmer switch according
to a third embodiment of our new design.

FIG. 14 is a front view thereof.

FIG. 15 is a left side view thereof.

FIG. 16 is a right side view thereof.

FIG. 17 is a top view thereof.

FIG. 18 is a bottom view thereof.

FIG. 19 is a perspective view of a dimmer switch according
to a fourth embodiment of our new design.

FIG. 20 is a front view thereof.

FIG. 21 is a left side view thereof.

FIG. 22 is a right side view thereof.

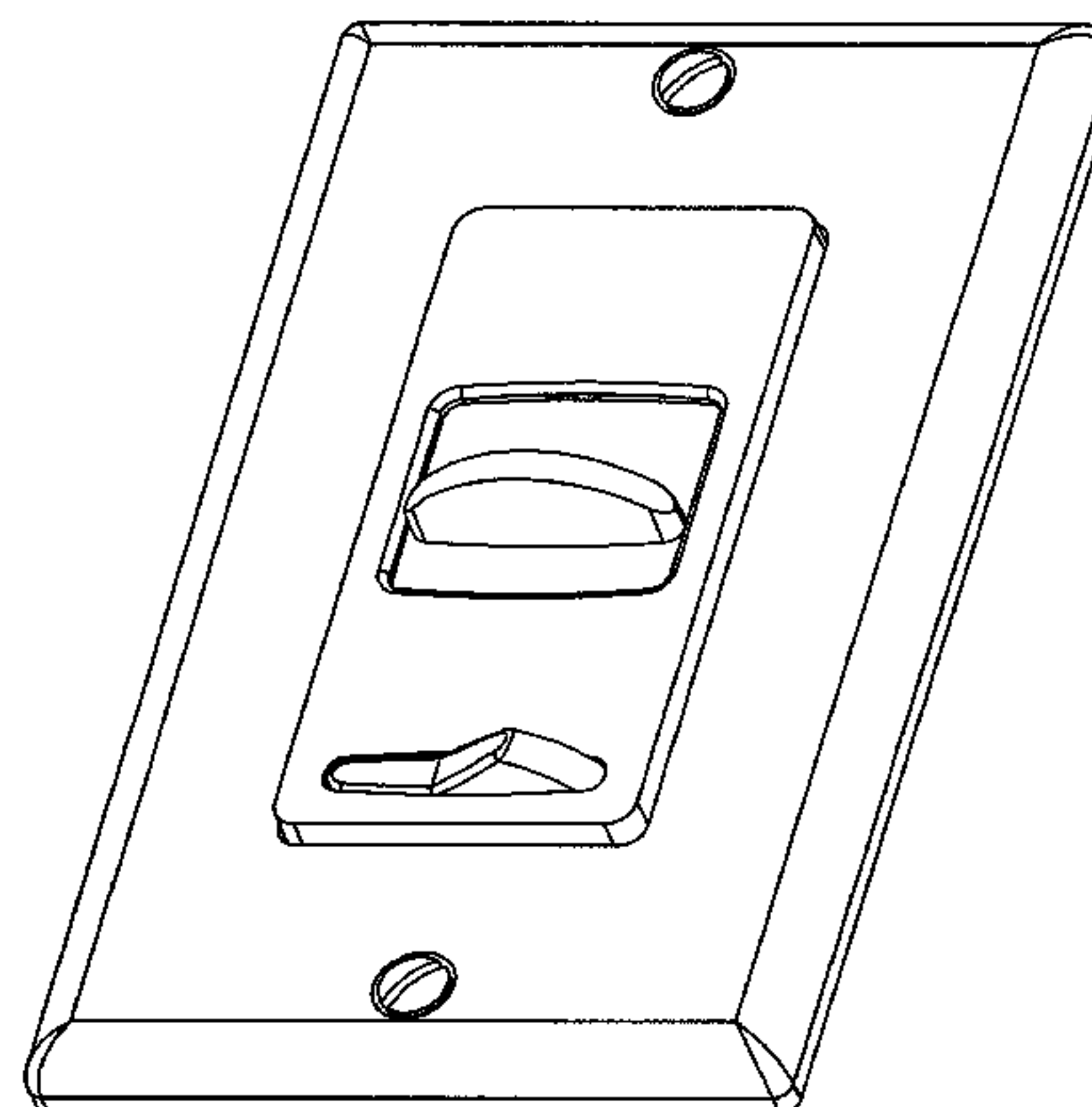
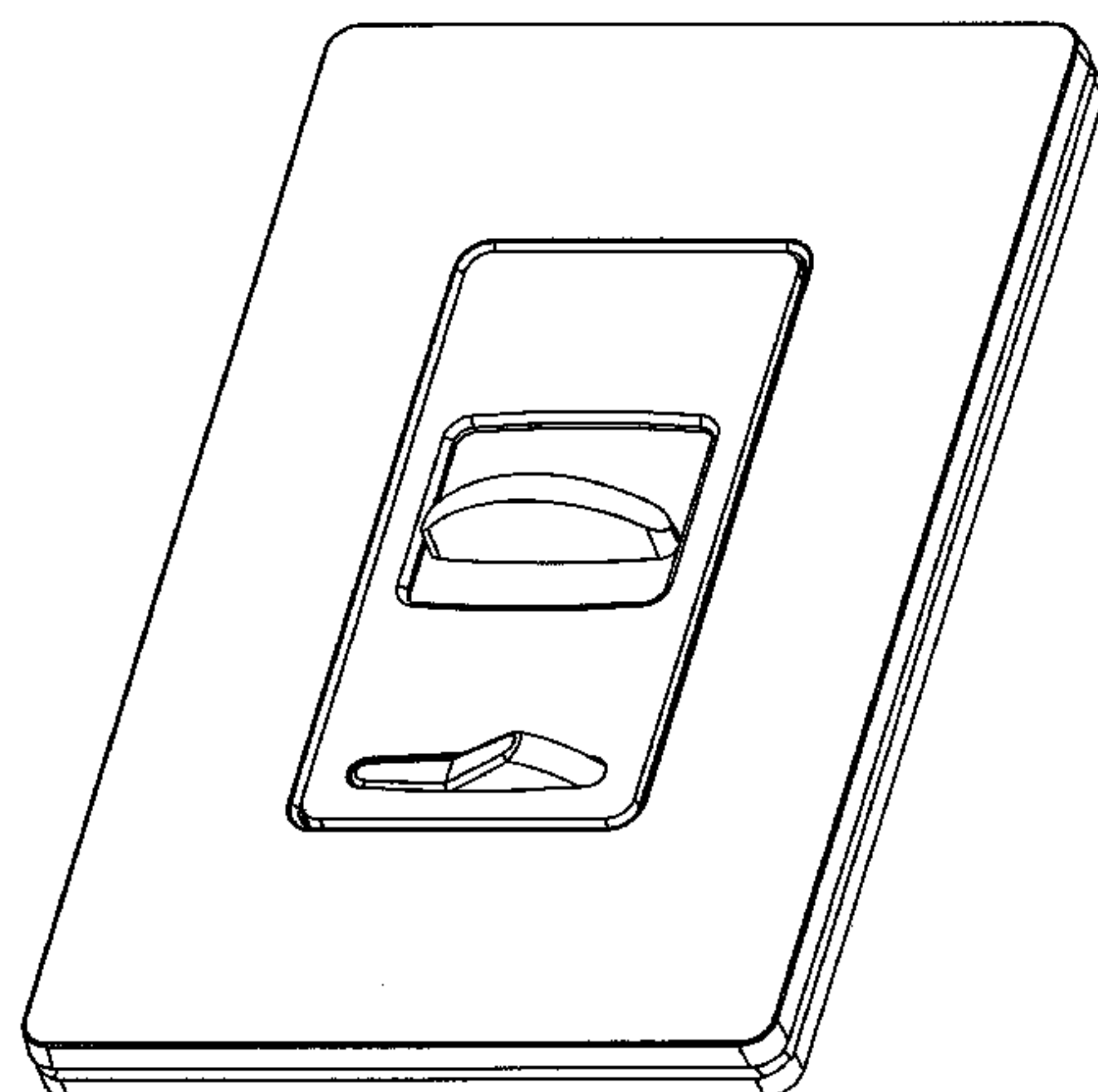
FIG. 23 is a top view thereof; and,

FIG. 24 is a bottom view thereof.

The rear view of each of the foregoing embodiments con-
tains no ornamentality and, therefore, has been omitted.

The portions of the drawings appearing in broken line are for
environment only and do not form a part of the design.

1 Claim, 16 Drawing Sheets



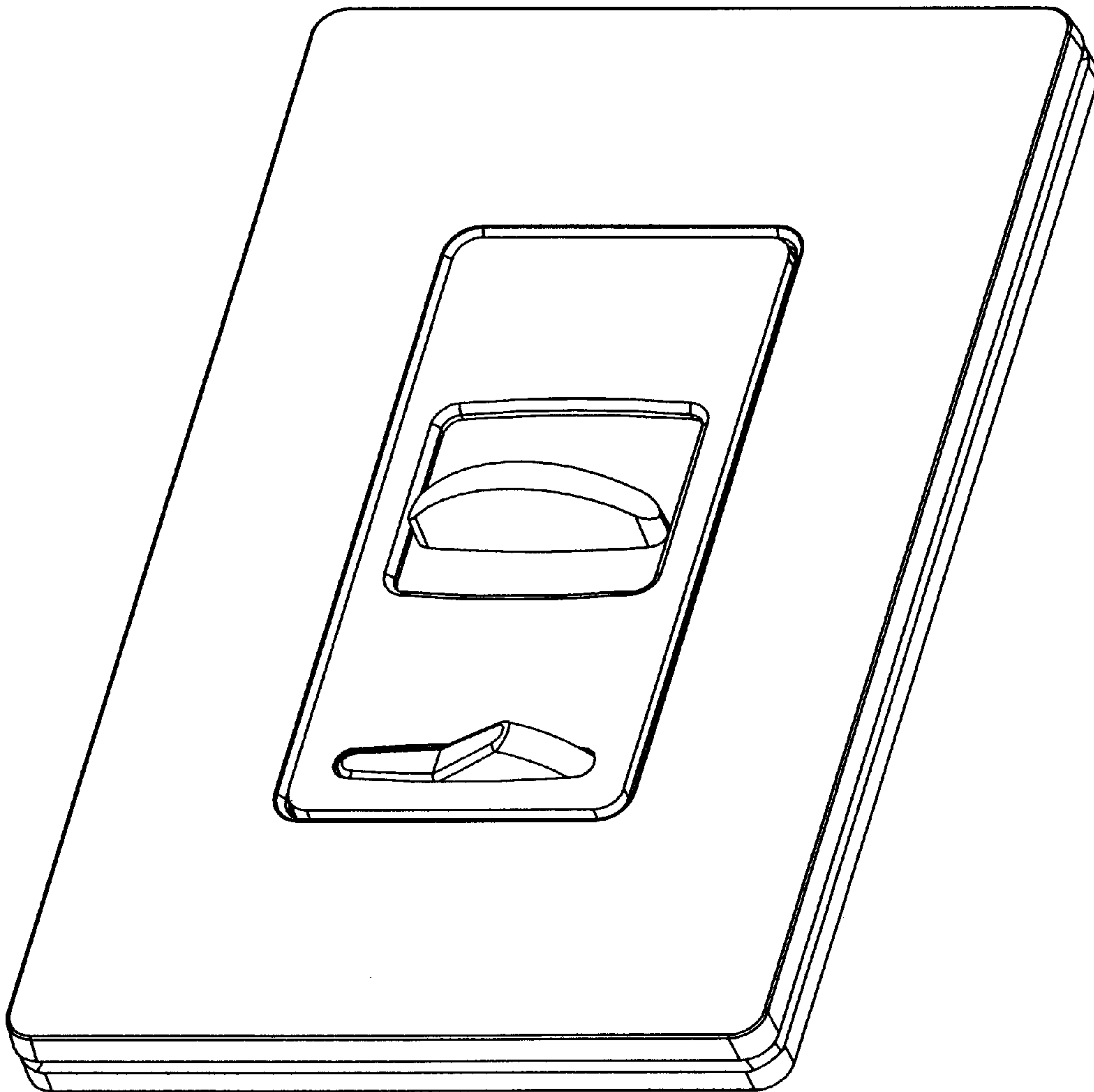


FIG. 1

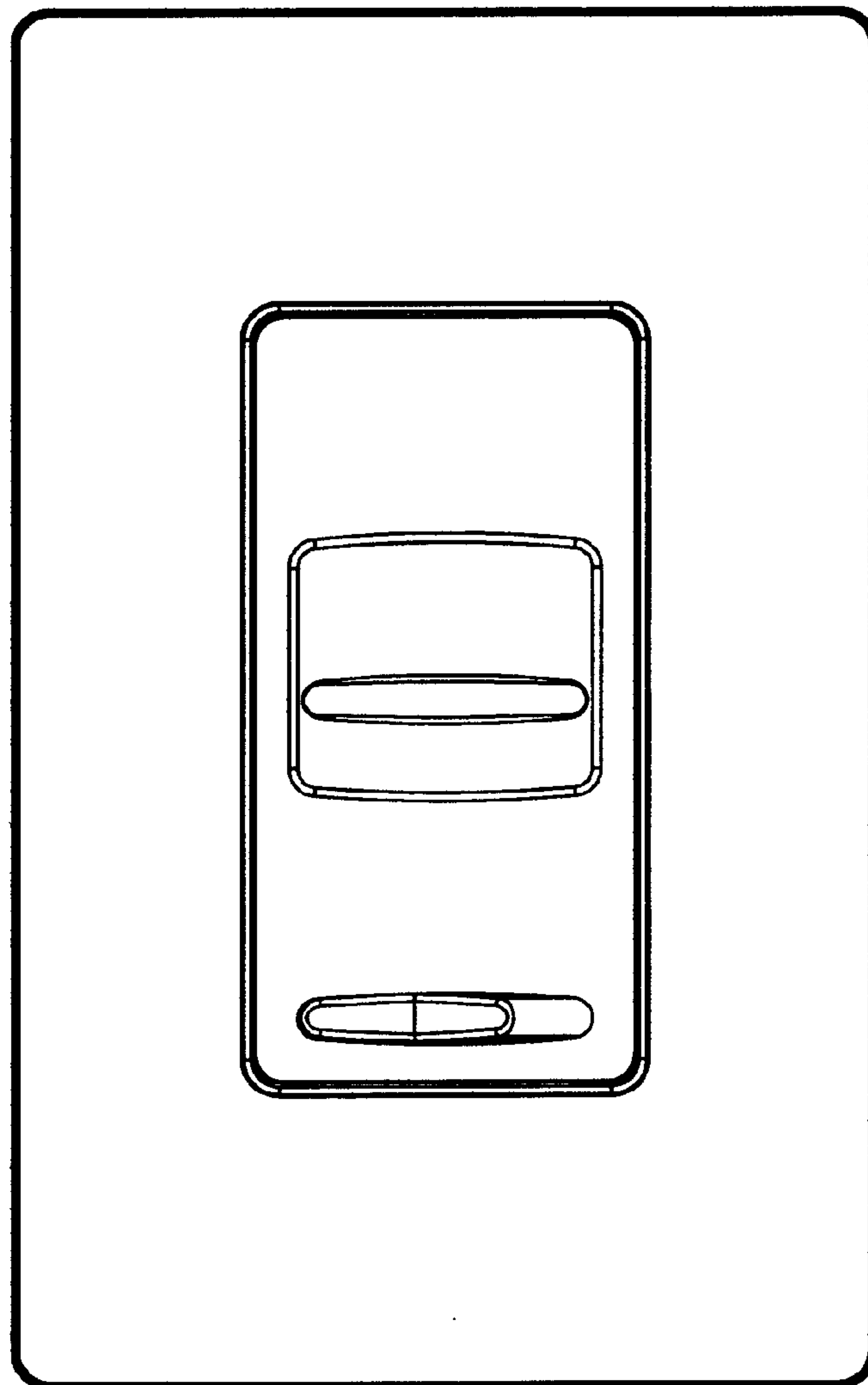


FIG. 2

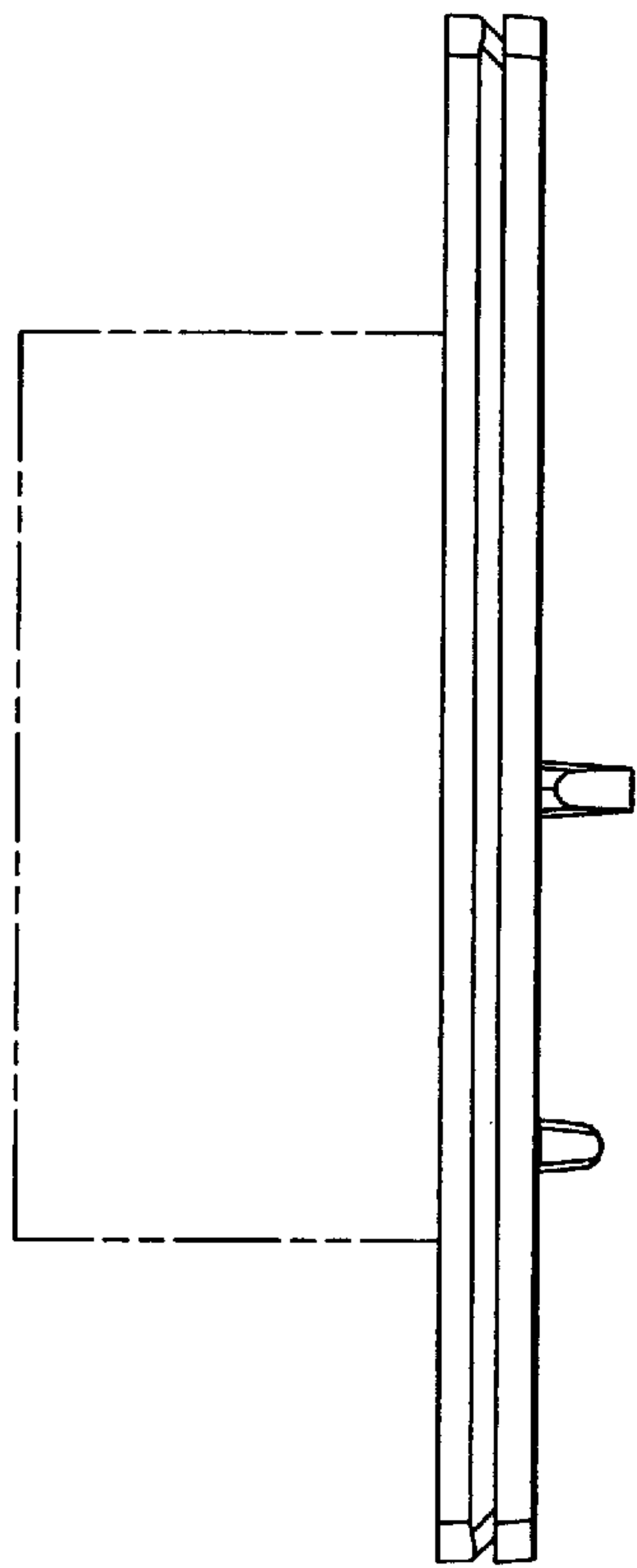


FIG. 3

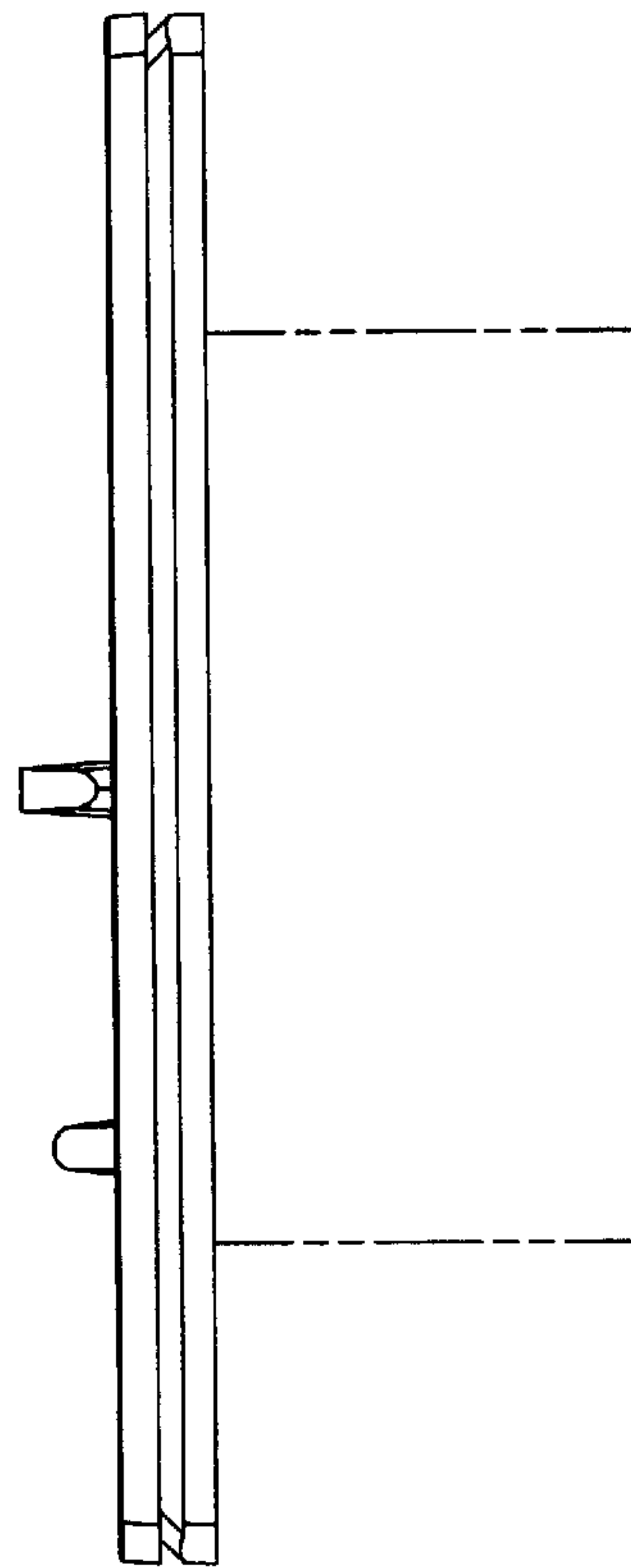


FIG. 4

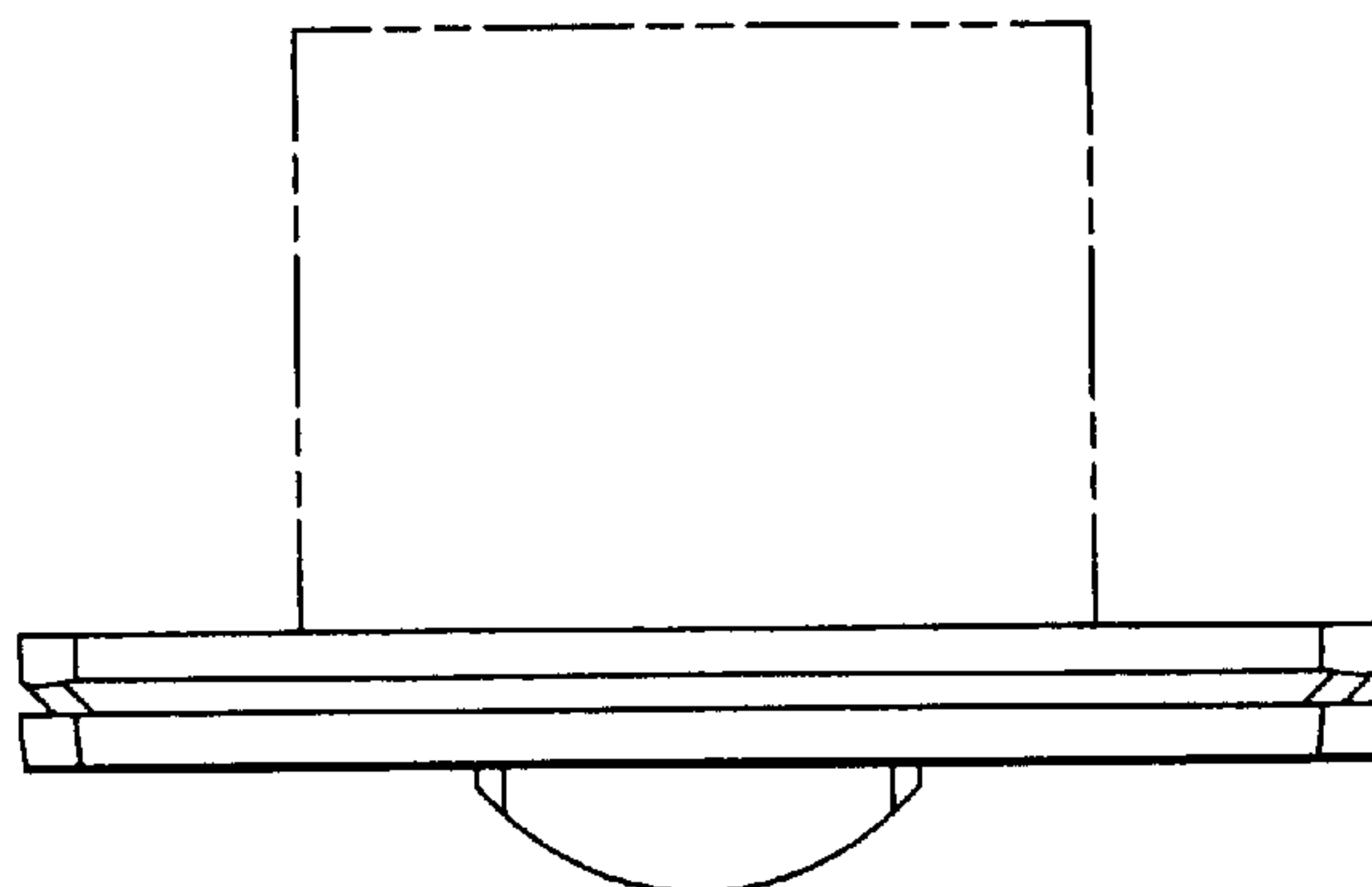


FIG. 5

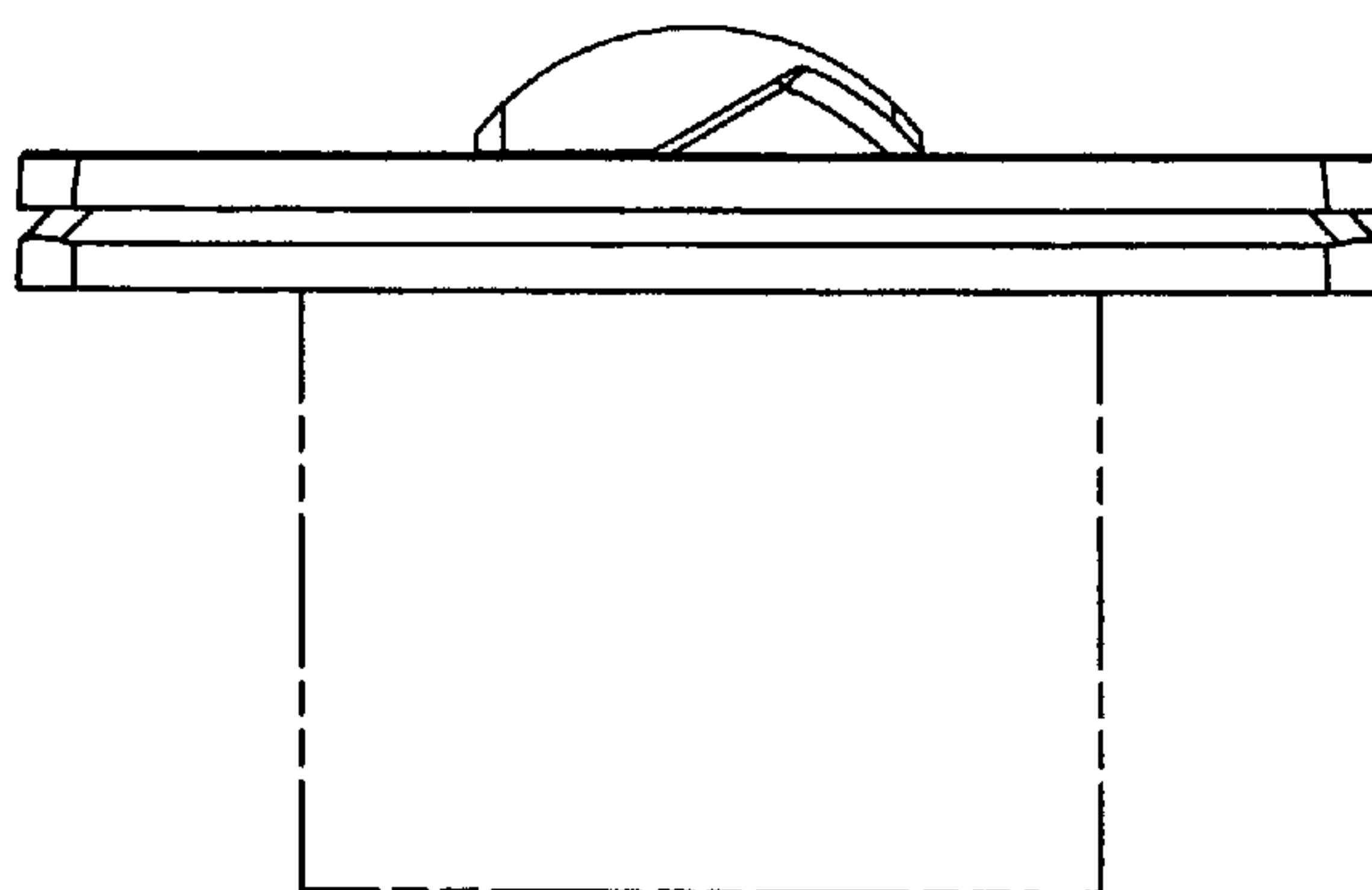


FIG. 6

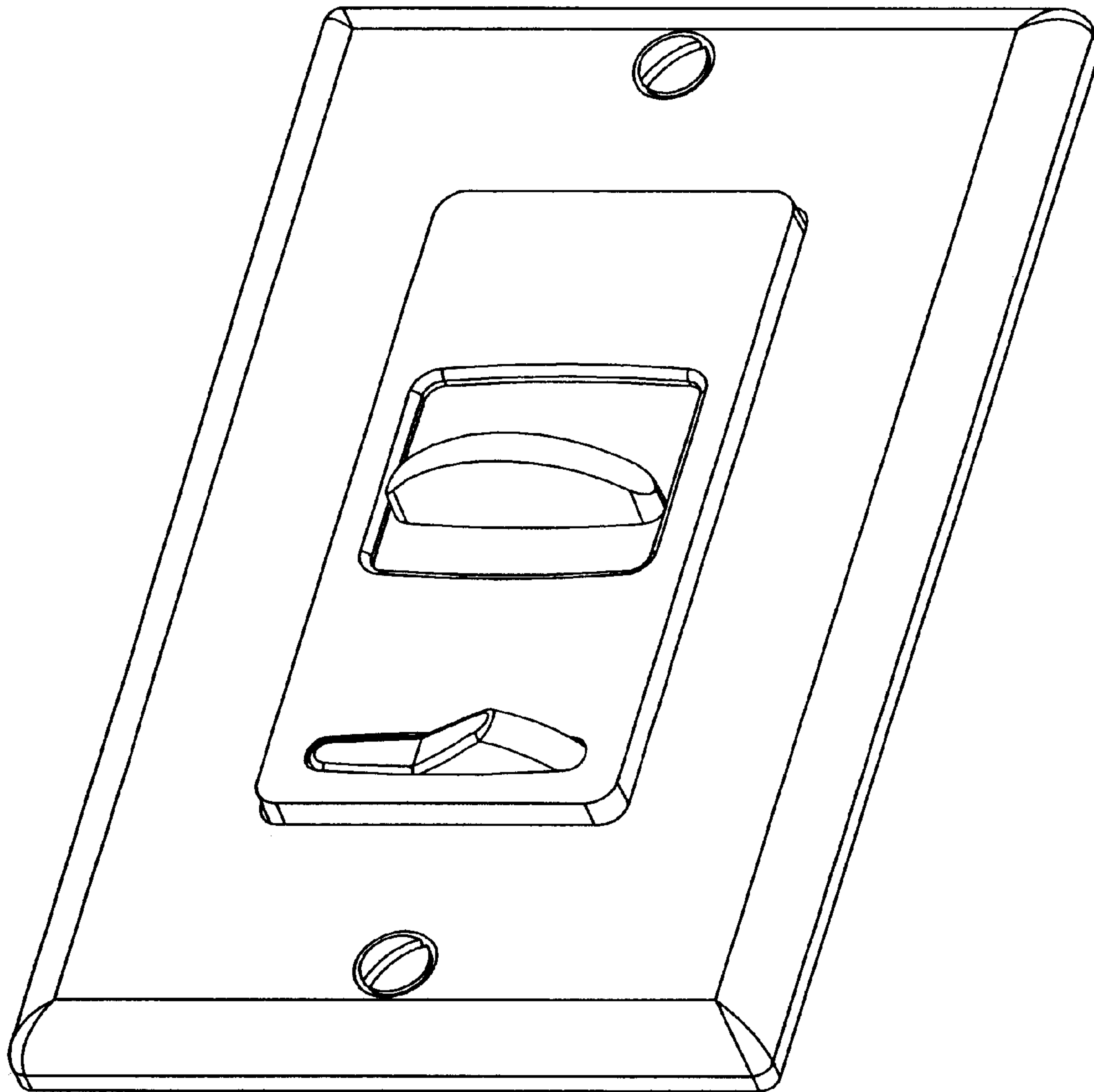


FIG. 7

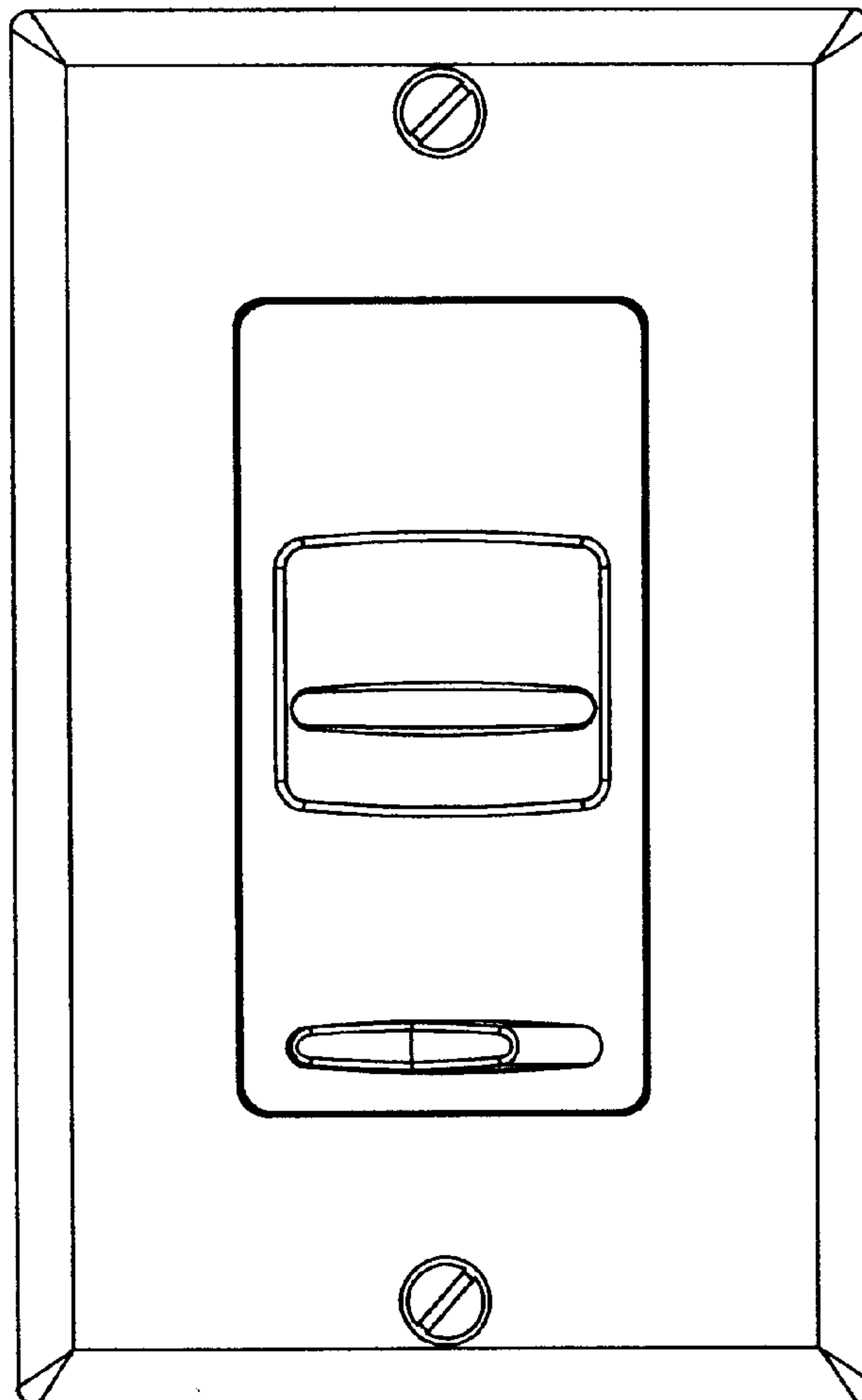


FIG. 8

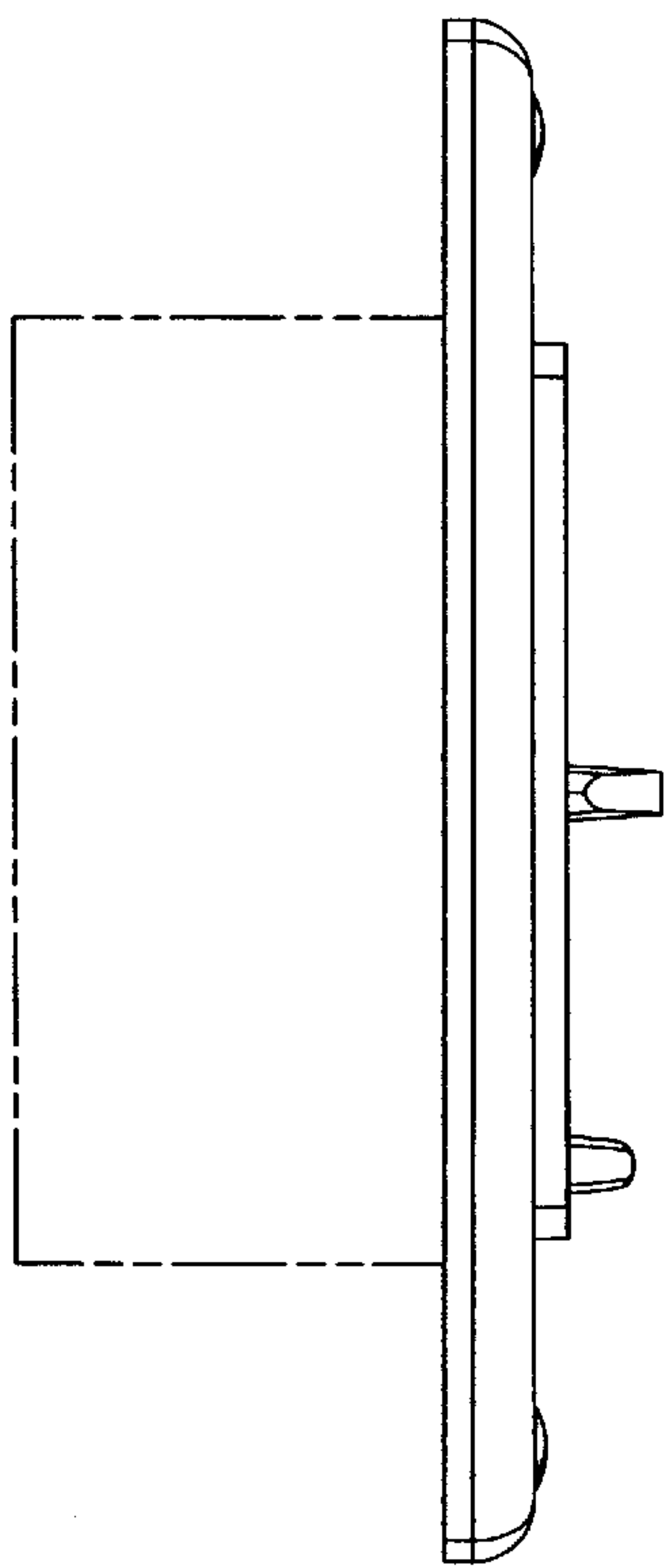


FIG. 9

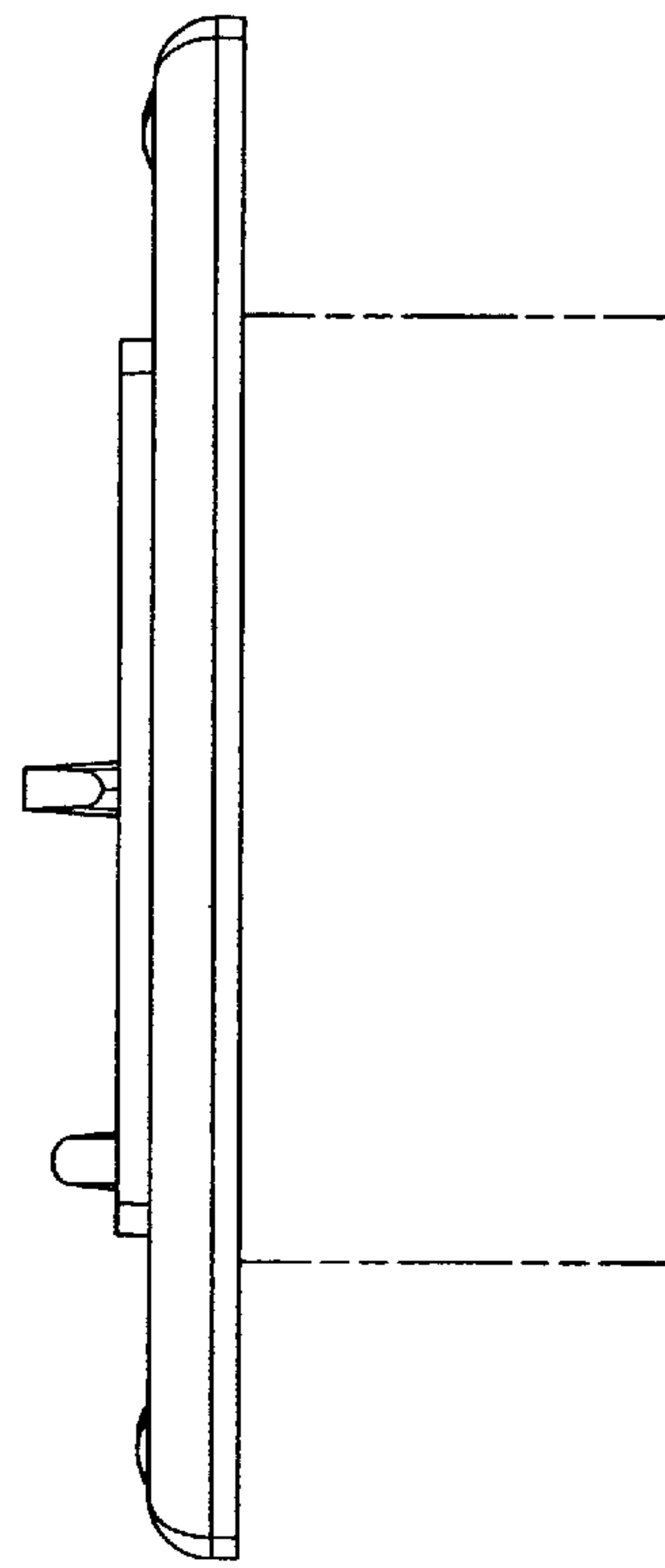


FIG. 10

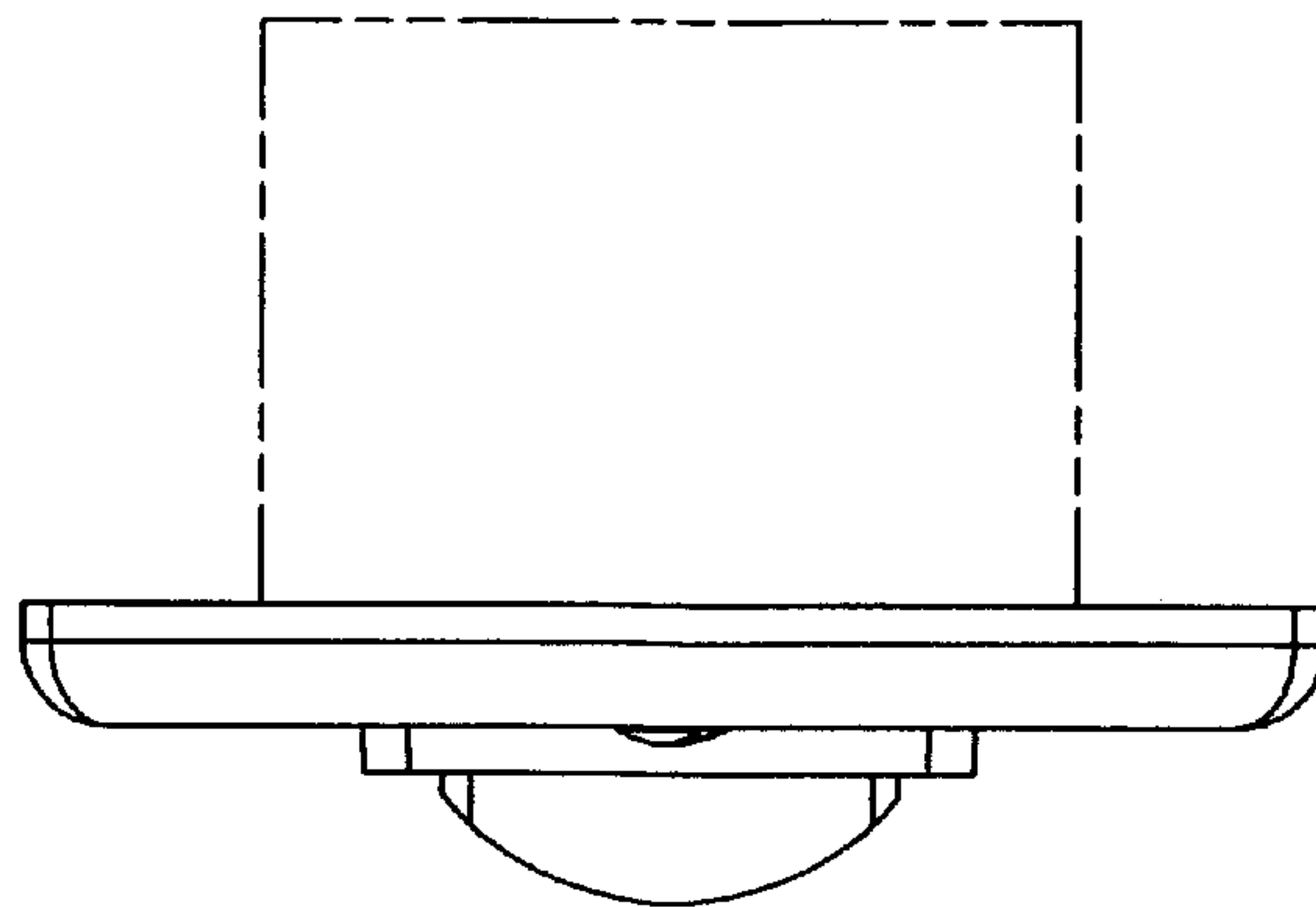


FIG. 11

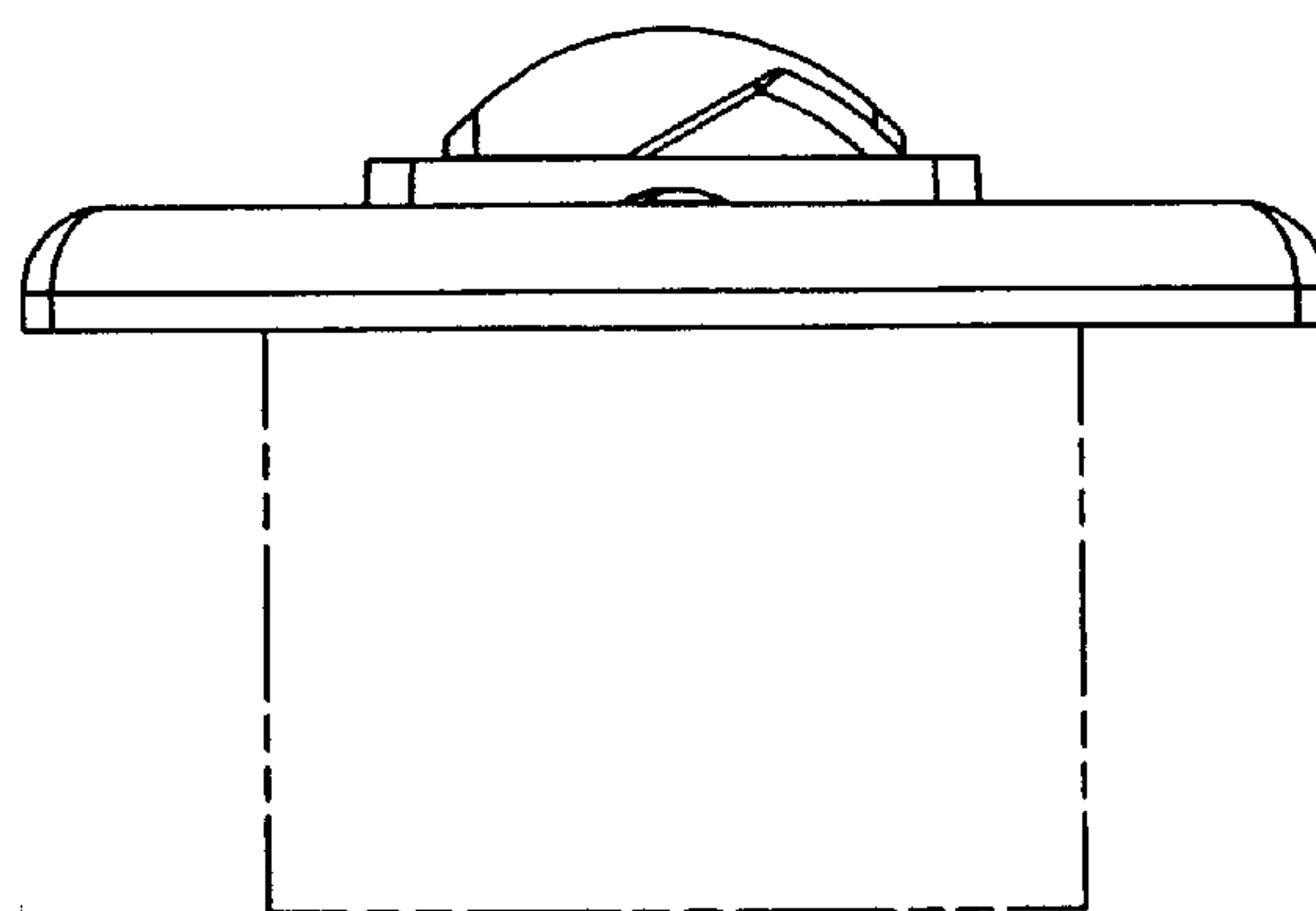


FIG. 12

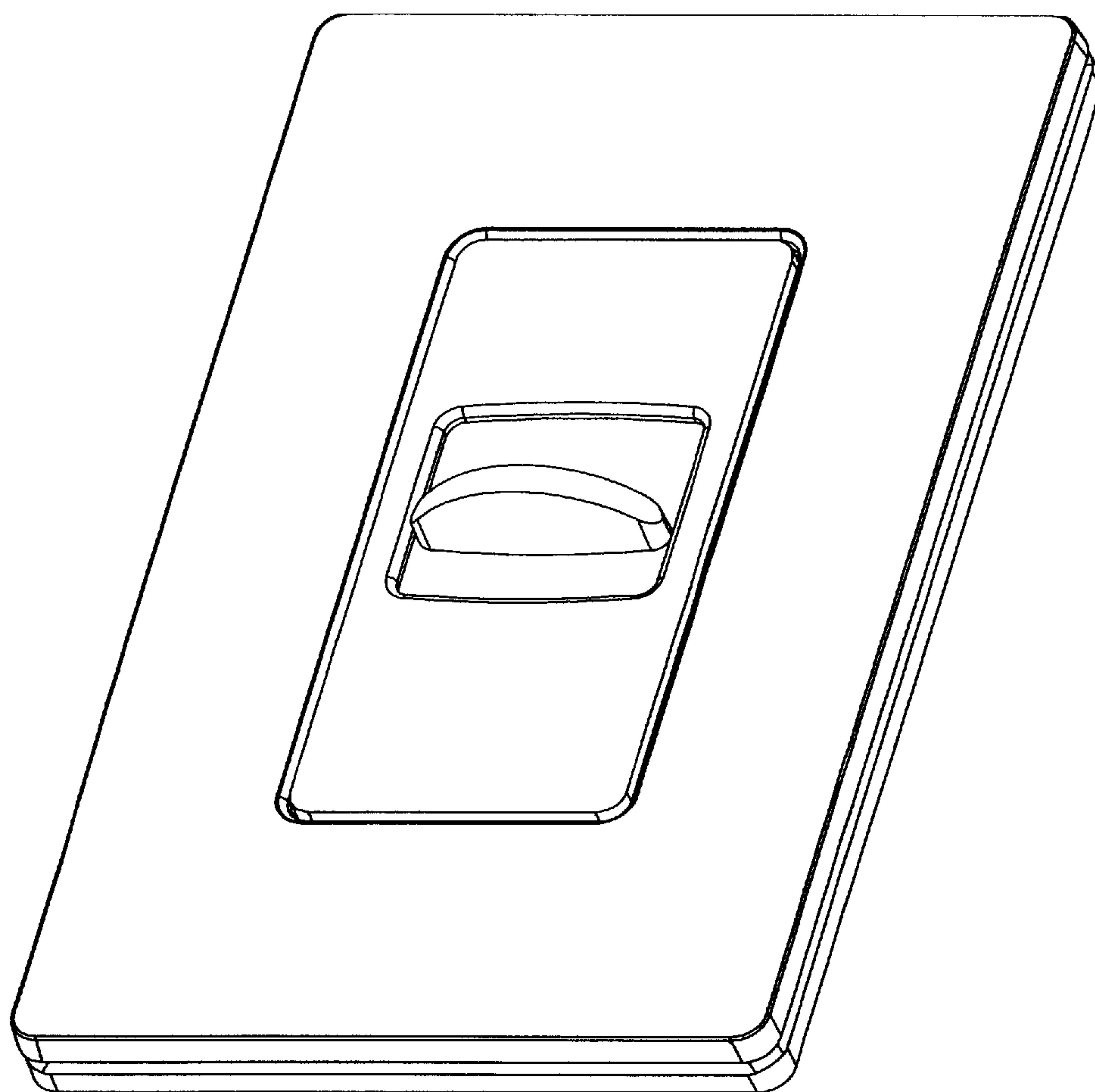


FIG. 13

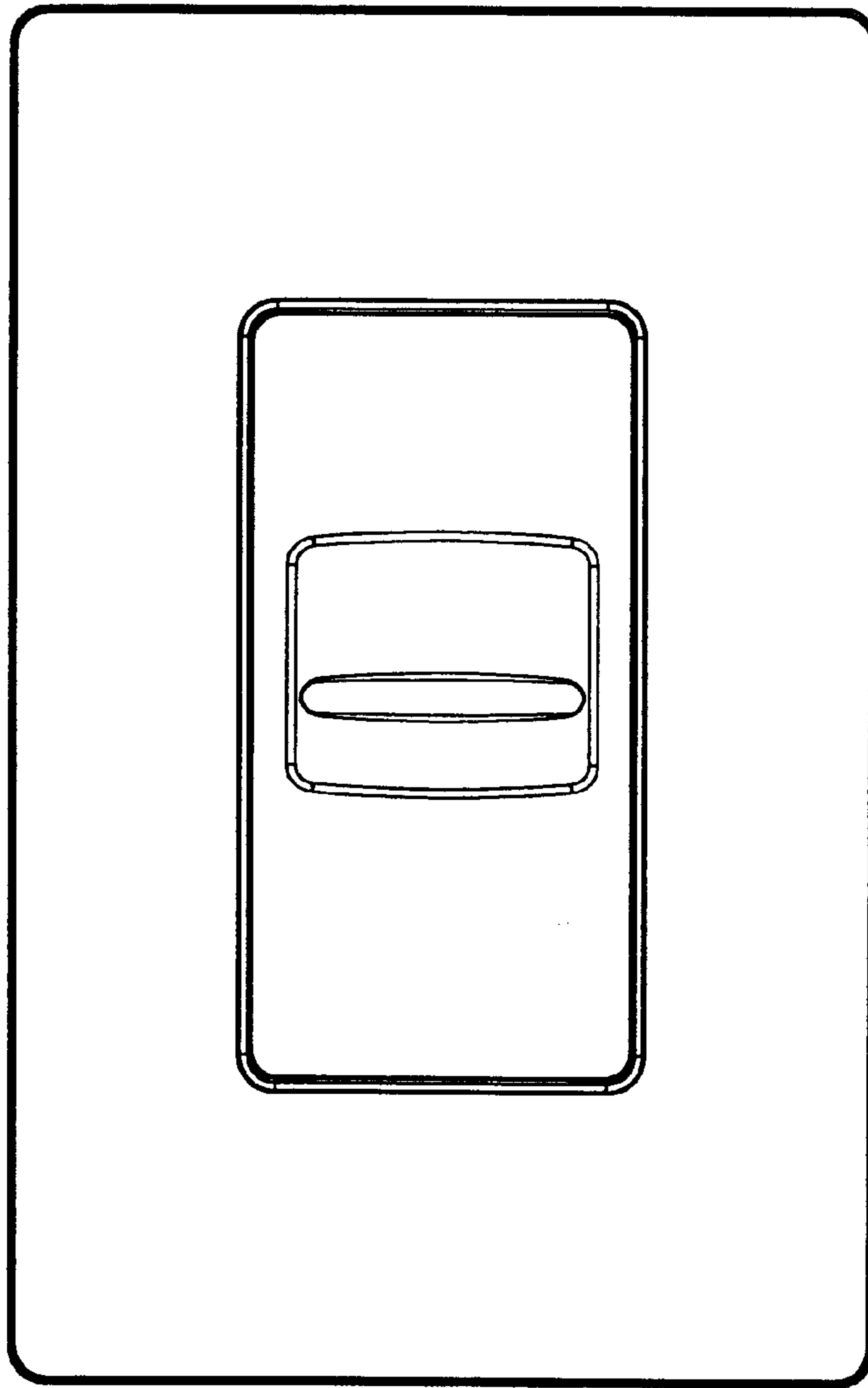


FIG. 14

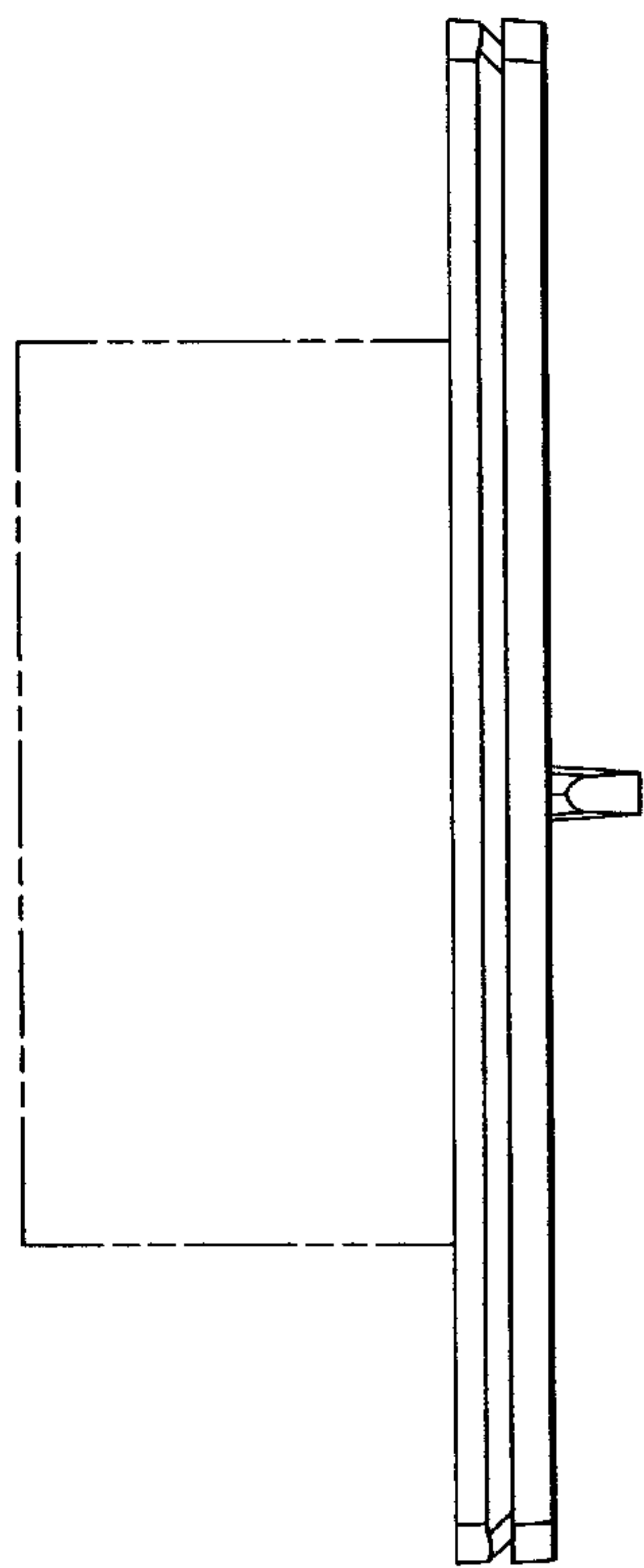


FIG. 15

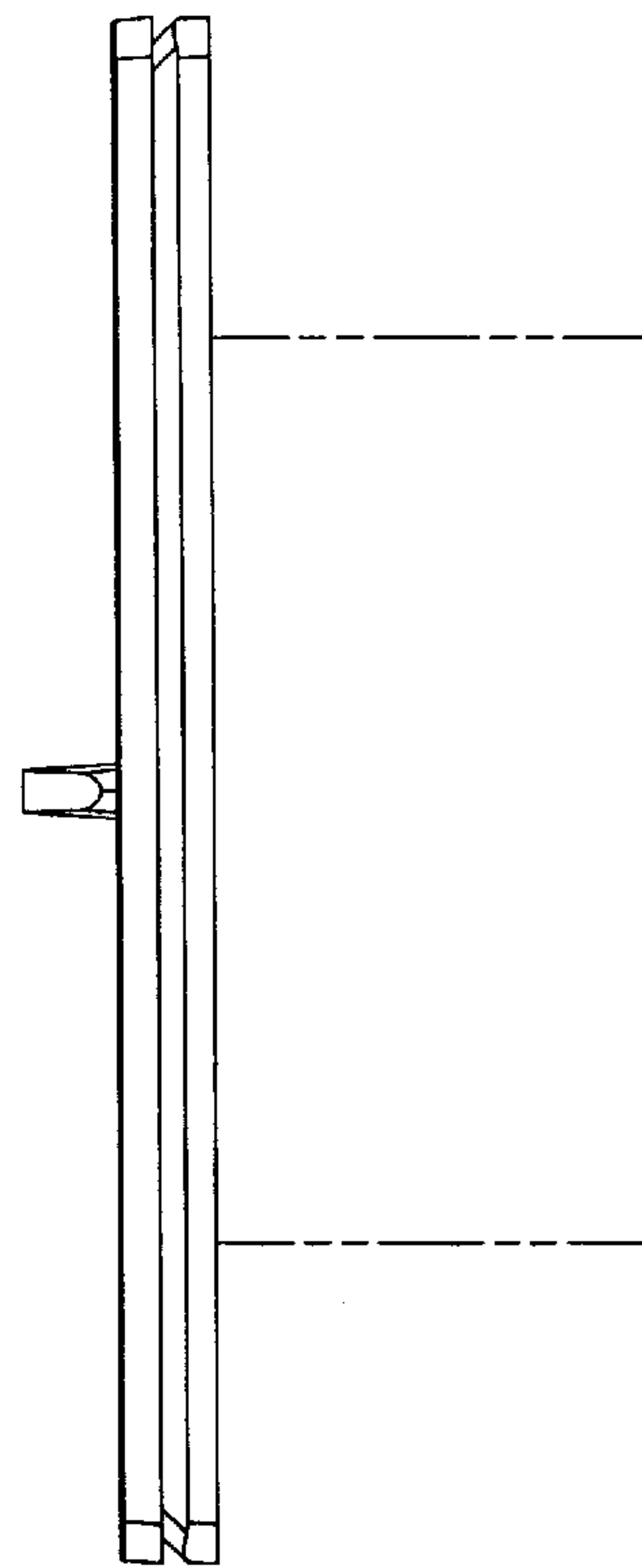


FIG. 16

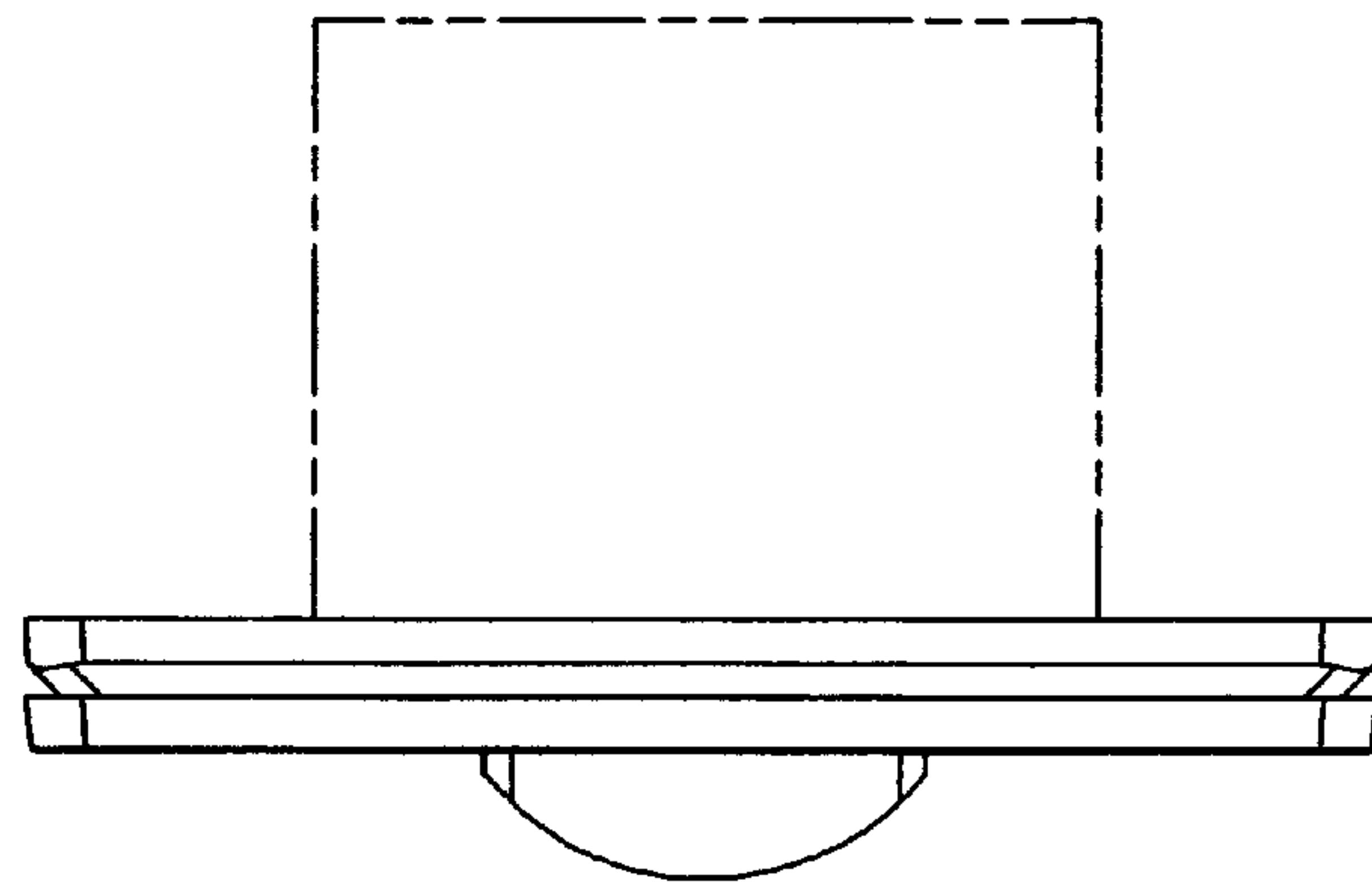


FIG. 17

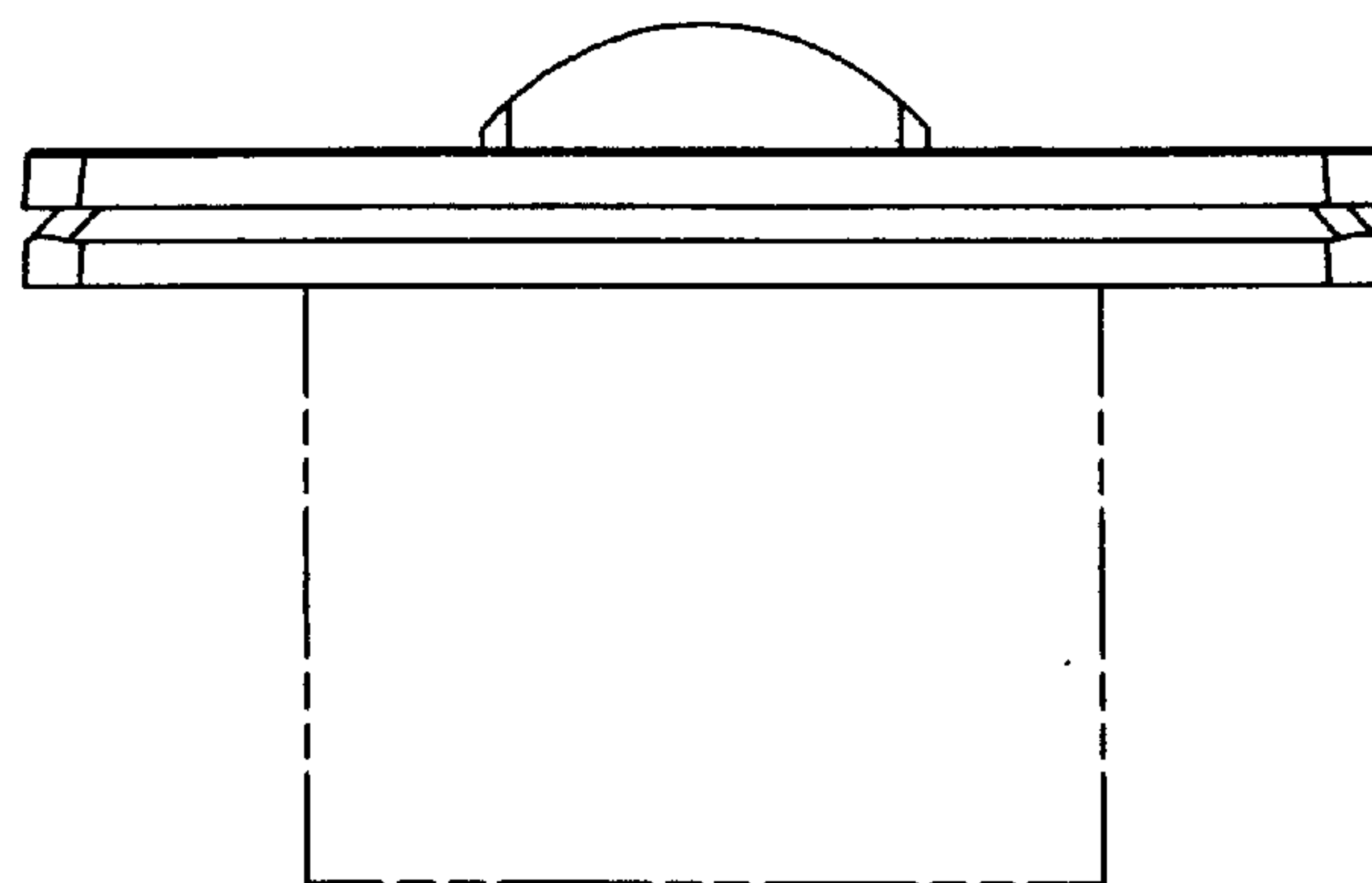


FIG. 18

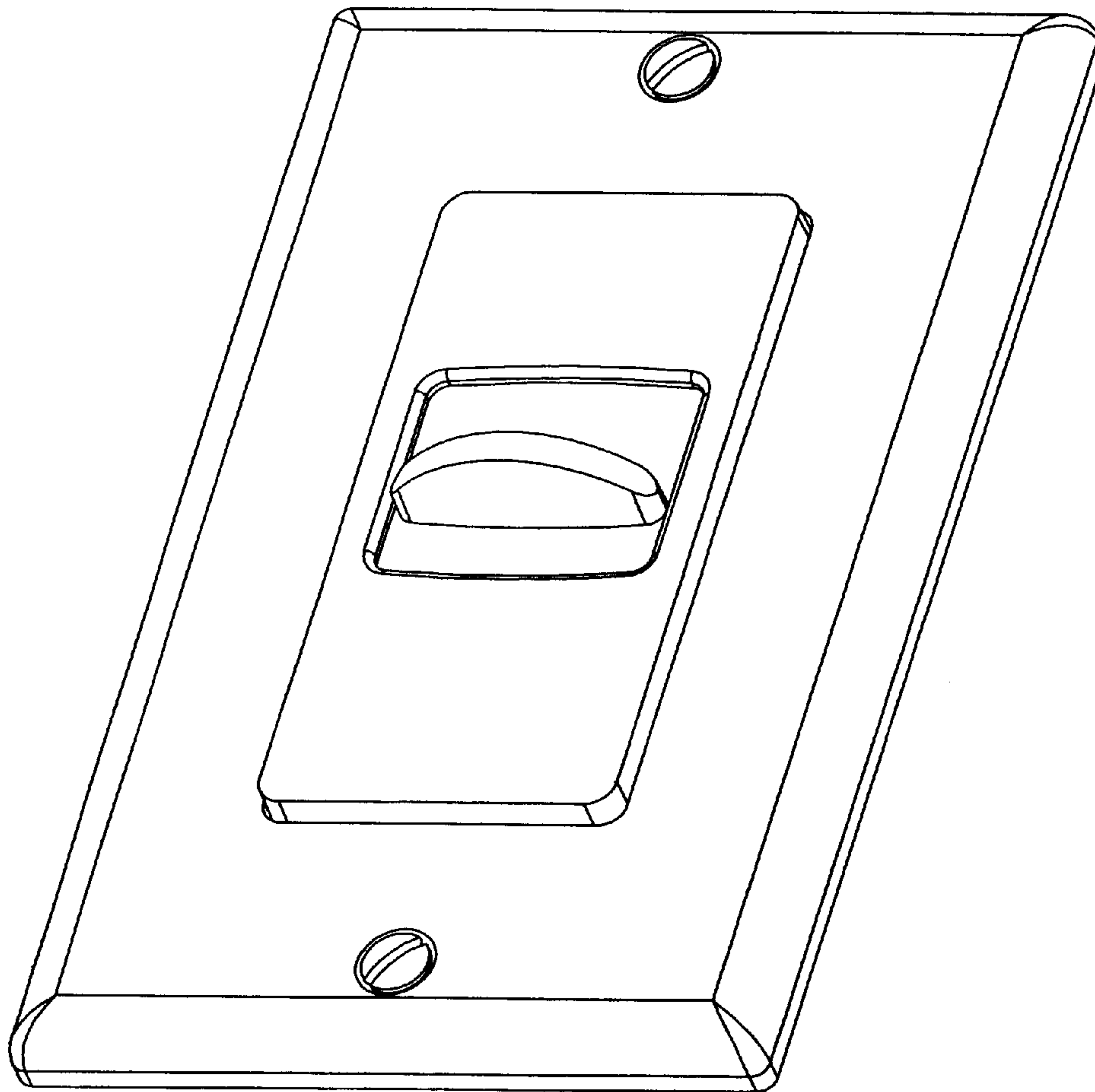


FIG. 19

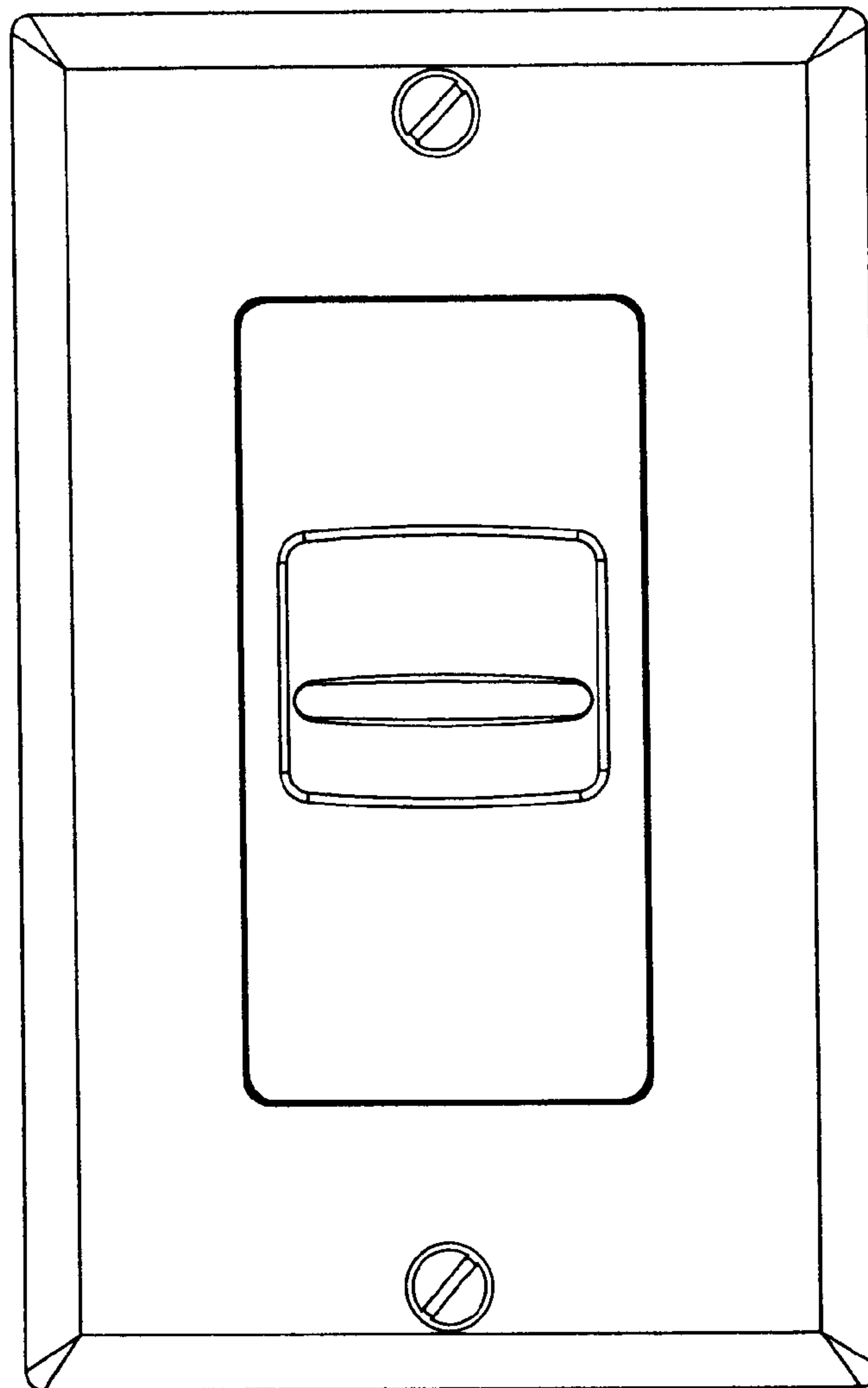


FIG. 20

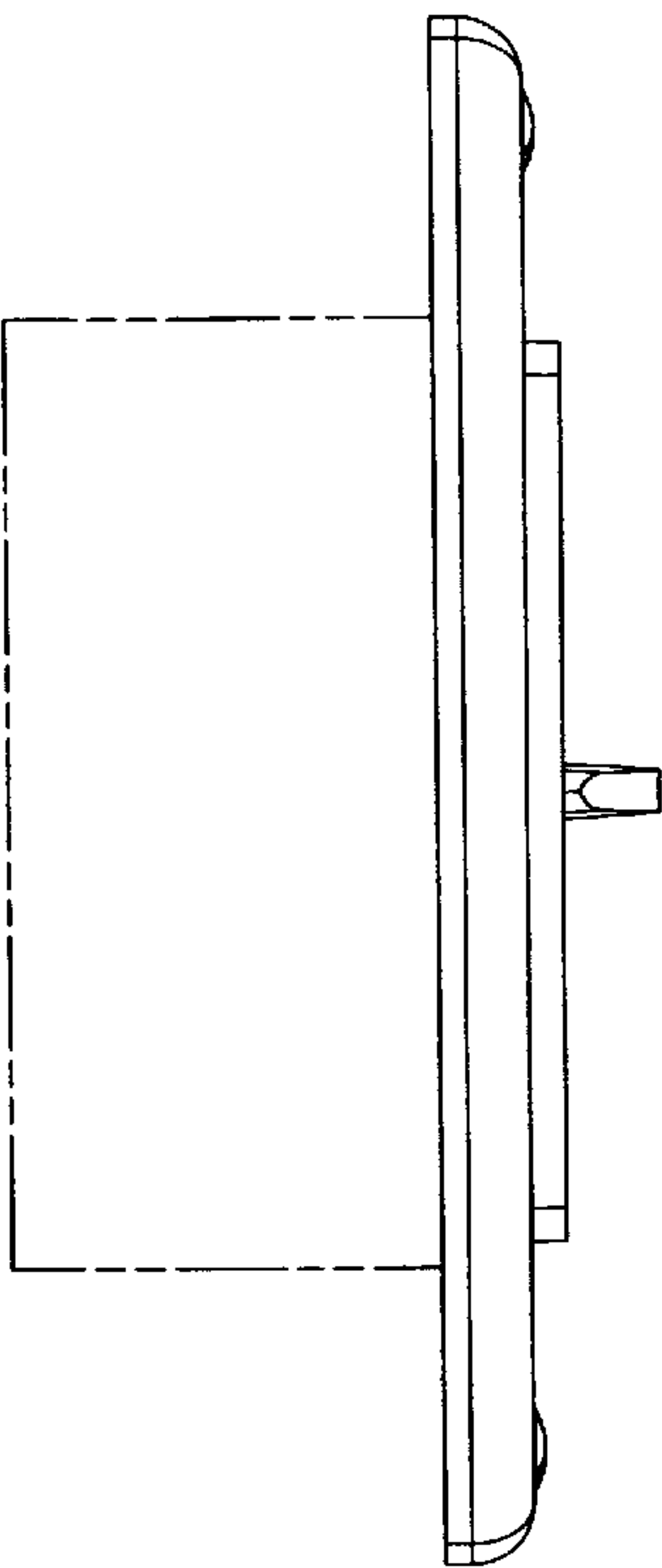


FIG. 21

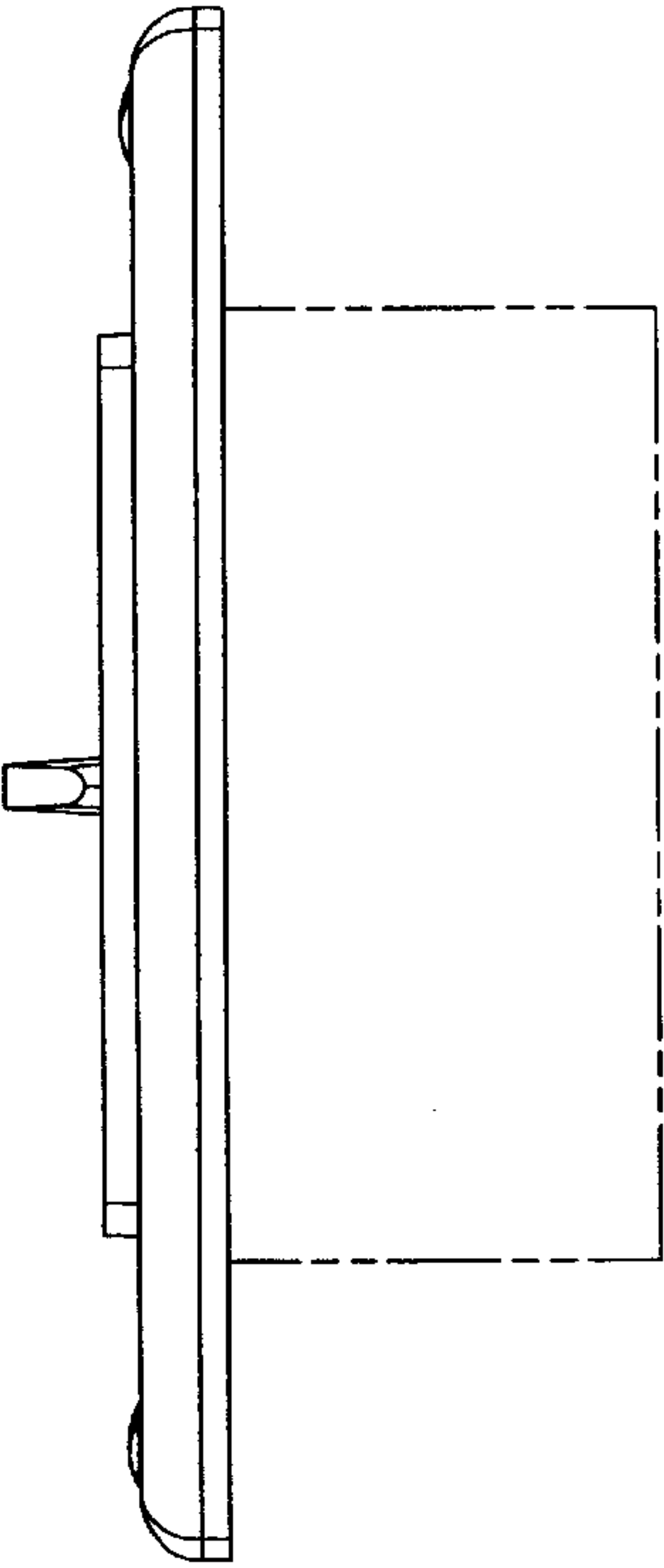


FIG. 22

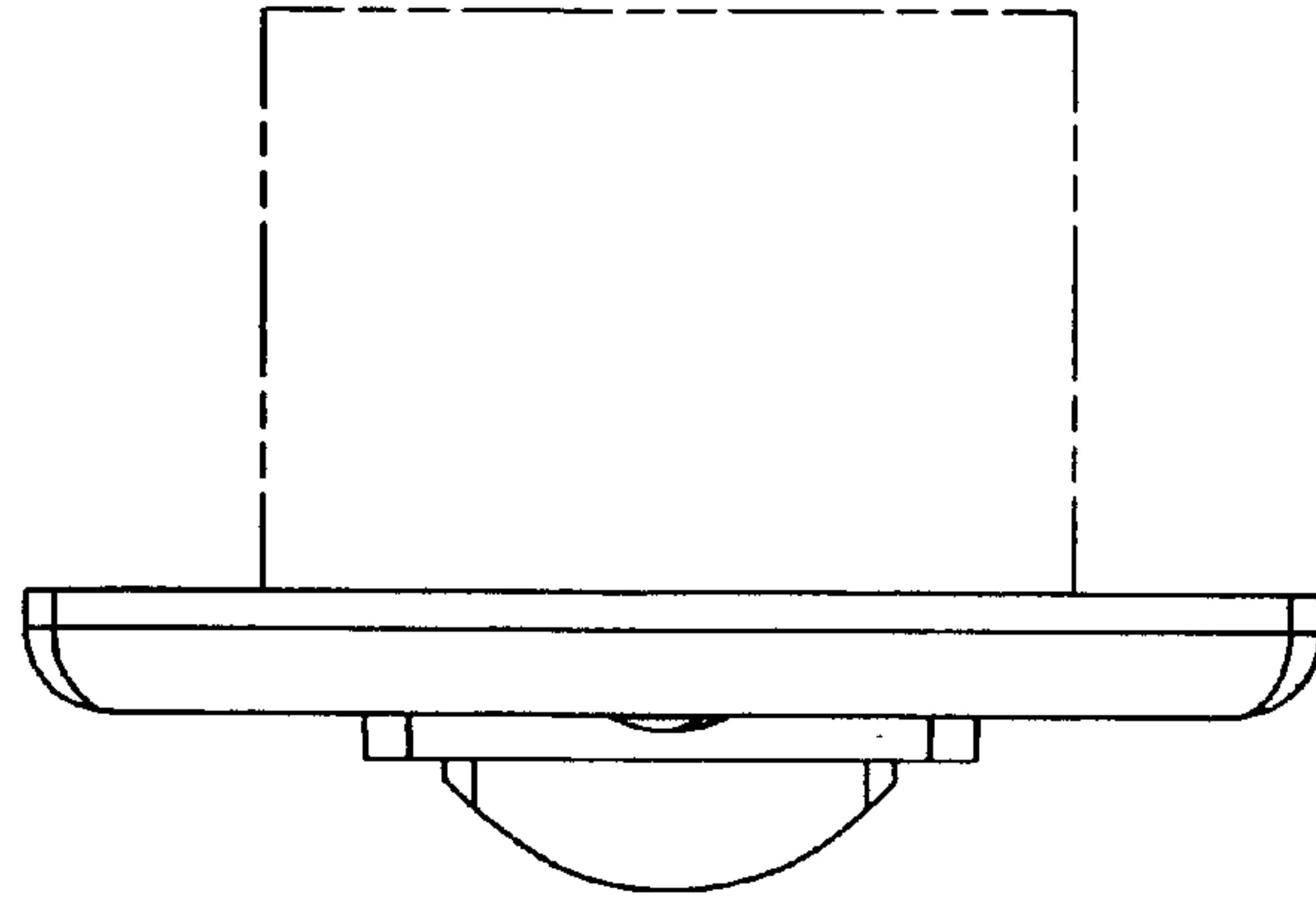


FIG. 23

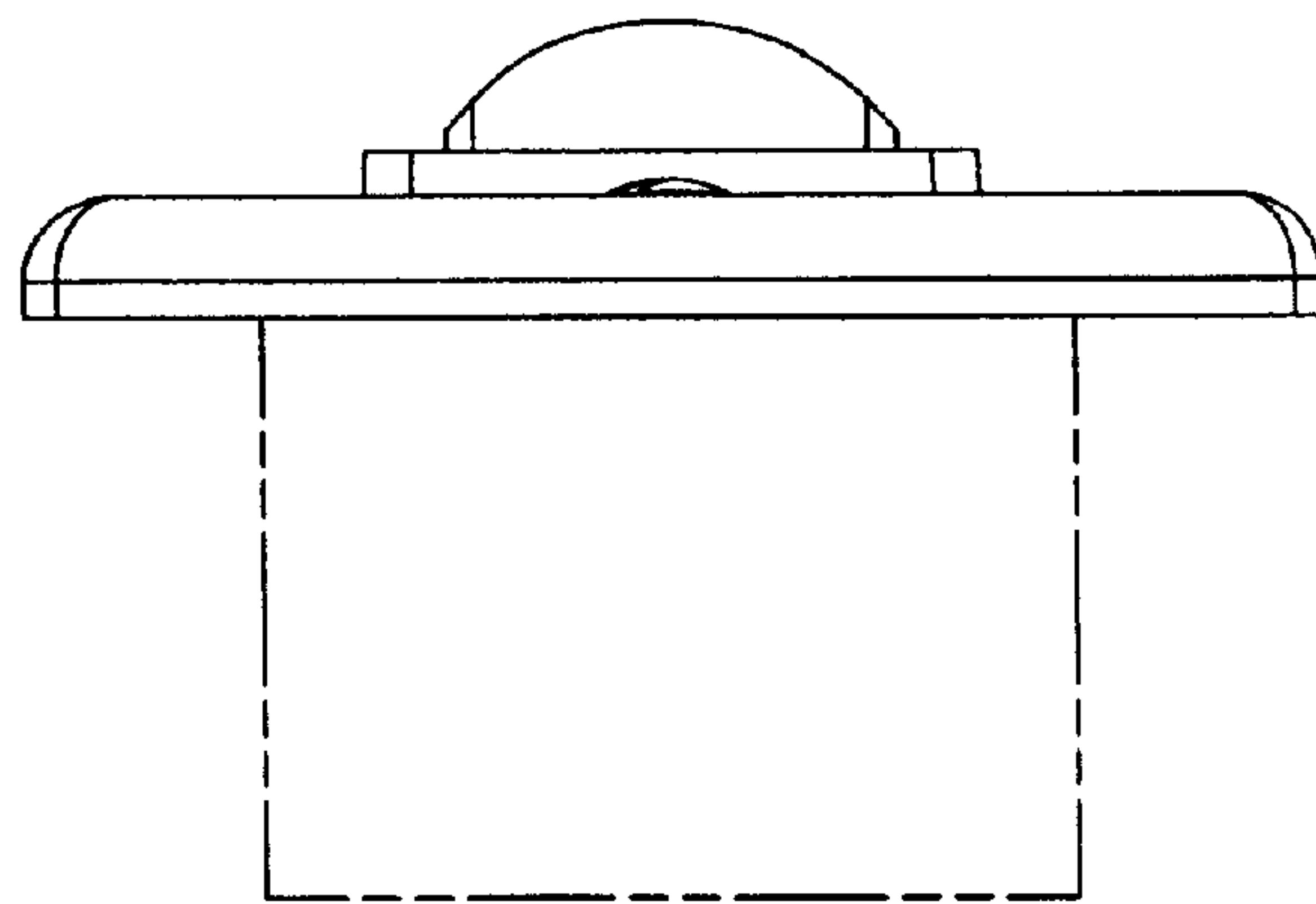


FIG. 24