

US00D541219S

(12) **United States Design Patent**
Yang

(10) **Patent No.:** **US D541,219 S**

(45) **Date of Patent:** **** Apr. 24, 2007**

(54) **ELECTRICAL CONNECTOR**

(75) Inventor: **Meng-Huan Yang**, Tu-Cheng (TW)

(73) Assignee: **Hon Hai Precision Ind. Co., Ltd.**,
Taipei Hsien (TW)

(**) Term: **14 Years**

(21) Appl. No.: **29/233,191**

(22) Filed: **Jun. 28, 2005**

(30) **Foreign Application Priority Data**

Apr. 15, 2005 (TW) 94302201

(51) **LOC (8) Cl.** **13-03**

(52) **U.S. Cl.** **D13/147**

(58) **Field of Classification Search** D13/123,
D13/133, 146-147, 151, 154; D14/432-433,
D14/435-436, 439; D16/200, 218; 439/71-73,
439/83, 638, 330-331, 607-610, 625-626,
439/629-631, 680, 876

See application file for complete search history.

(56) **References Cited**

U.S. PATENT DOCUMENTS

D400,170 S * 10/1998 Asai et al. D13/133
D437,829 S * 2/2001 Sato et al. D13/147
6,213,812 B1 * 4/2001 Kan 439/607

D489,388 S * 5/2004 Saito et al. D16/218
D496,382 S * 9/2004 Yamakami et al. D16/218
6,939,172 B2 * 9/2005 Lu 439/607
D510,376 S * 10/2005 Yamakami D16/218
D523,401 S * 6/2006 Wang D13/154
7,086,902 B1 * 8/2006 Yang 439/607
2004/0229486 A1 * 11/2004 Uratani et al. 439/188
2005/0215118 A1 * 9/2005 Asai et al. 439/607
2006/0189216 A1 * 8/2006 Yang 439/680

* cited by examiner

Primary Examiner—Daniel Bui

(74) *Attorney, Agent, or Firm*—Wei Te Chung

(57) **CLAIM**

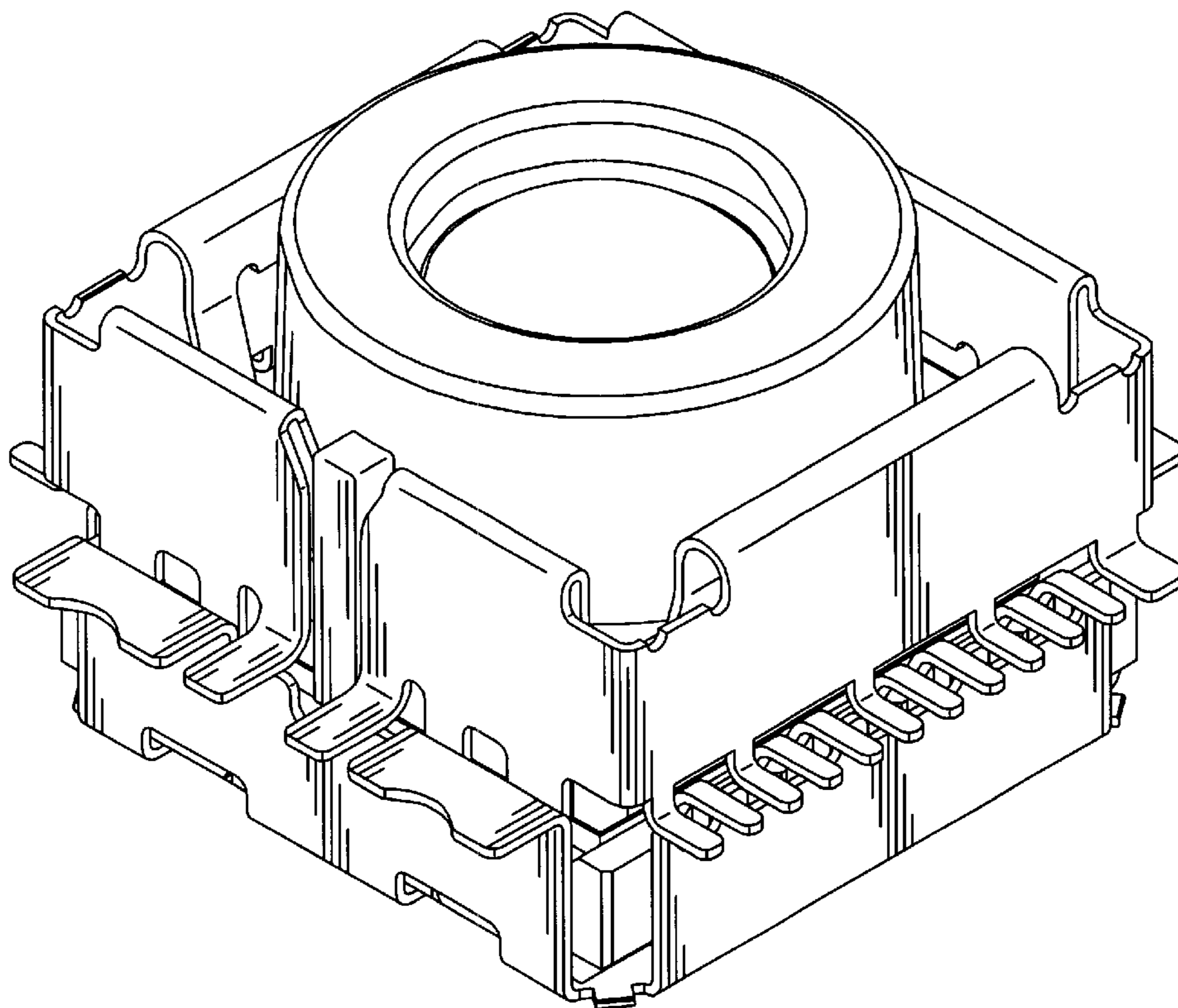
The ornamental design for an electrical connector, as shown.

DESCRIPTION

FIG. 1 is a front, top and right side perspective view of an electrical connector showing my new design; FIG. 2 is a front elevational view thereof; FIG. 3 is a rear elevational view thereof; FIG. 4 is a left side elevational view thereof; FIG. 5 is a right side elevational view thereof; FIG. 6 is a top plan view thereof; and, FIG. 7 is a bottom plan view thereof.

The broken line showing of the environment is for illustrative purpose only and forms no part of the claimed design.

1 Claim, 7 Drawing Sheets



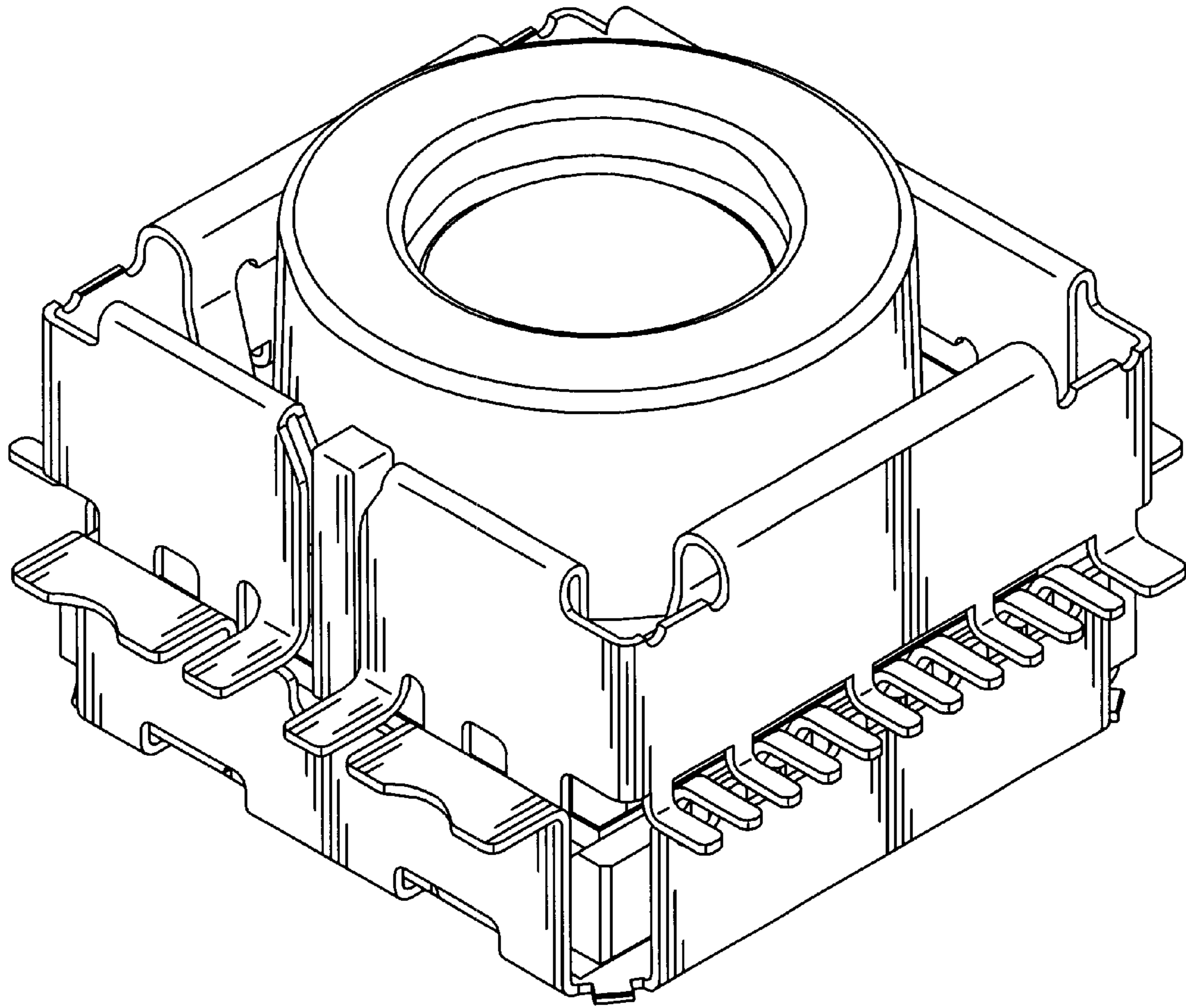


FIG. 1

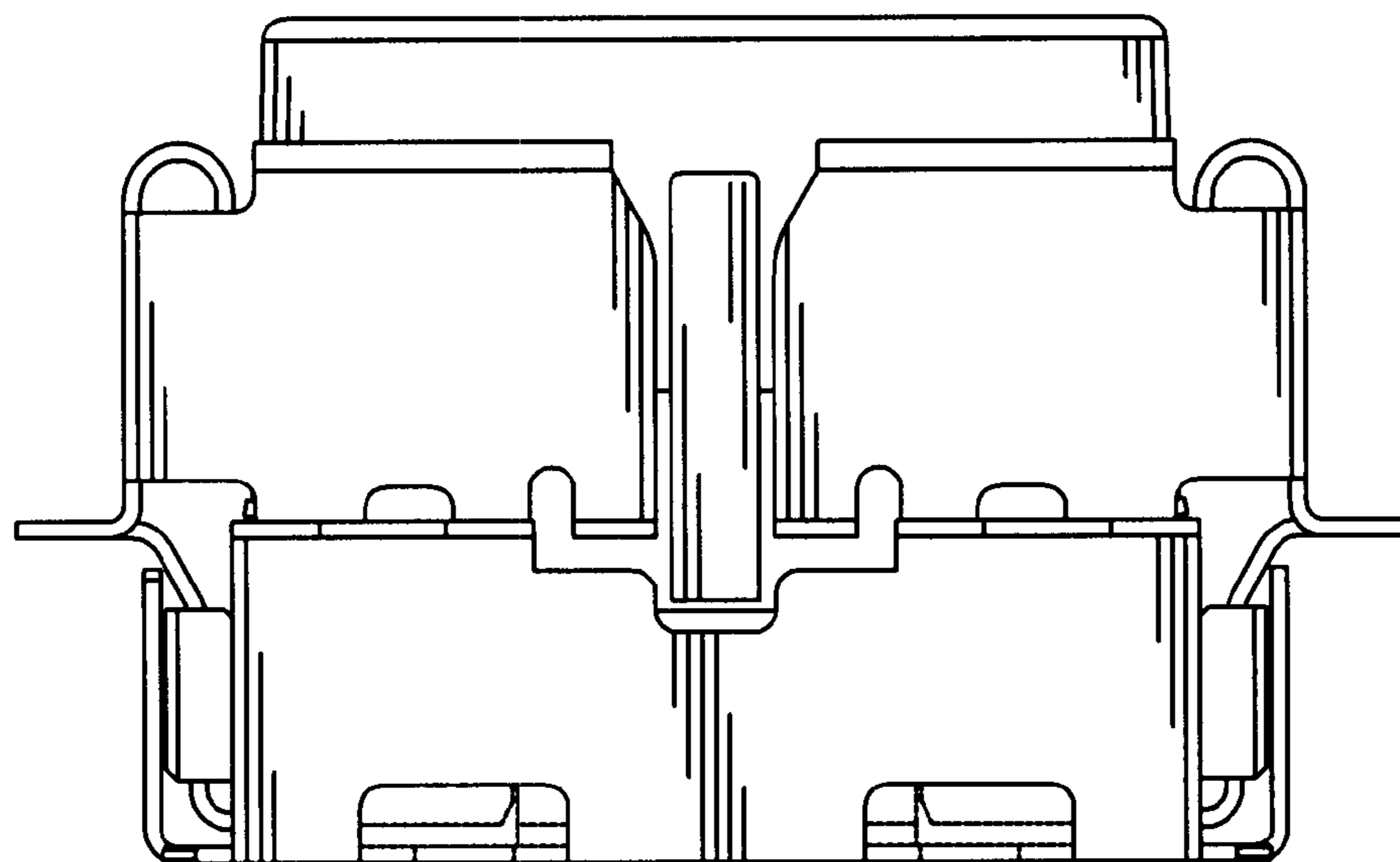


FIG. 2

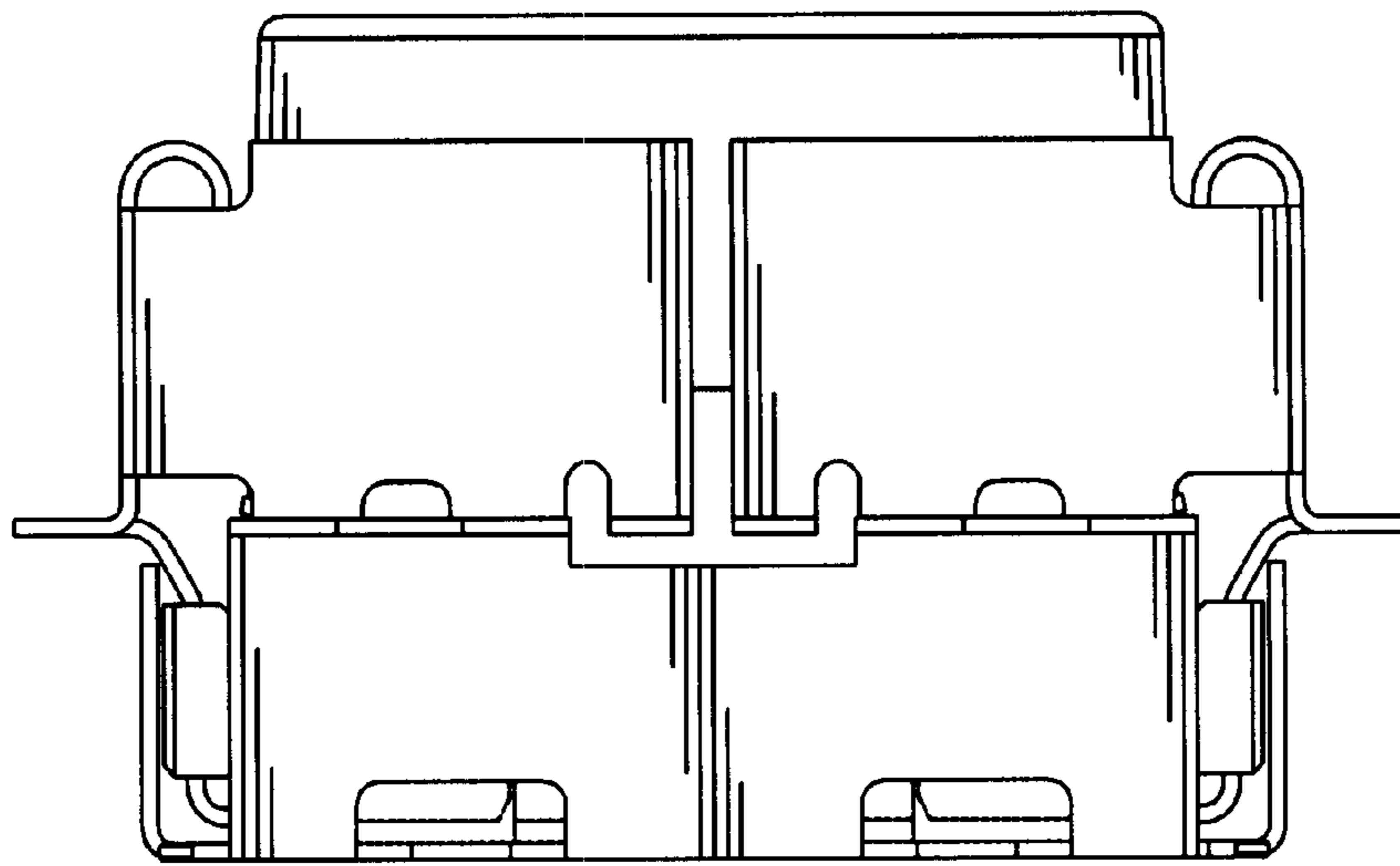


FIG. 3

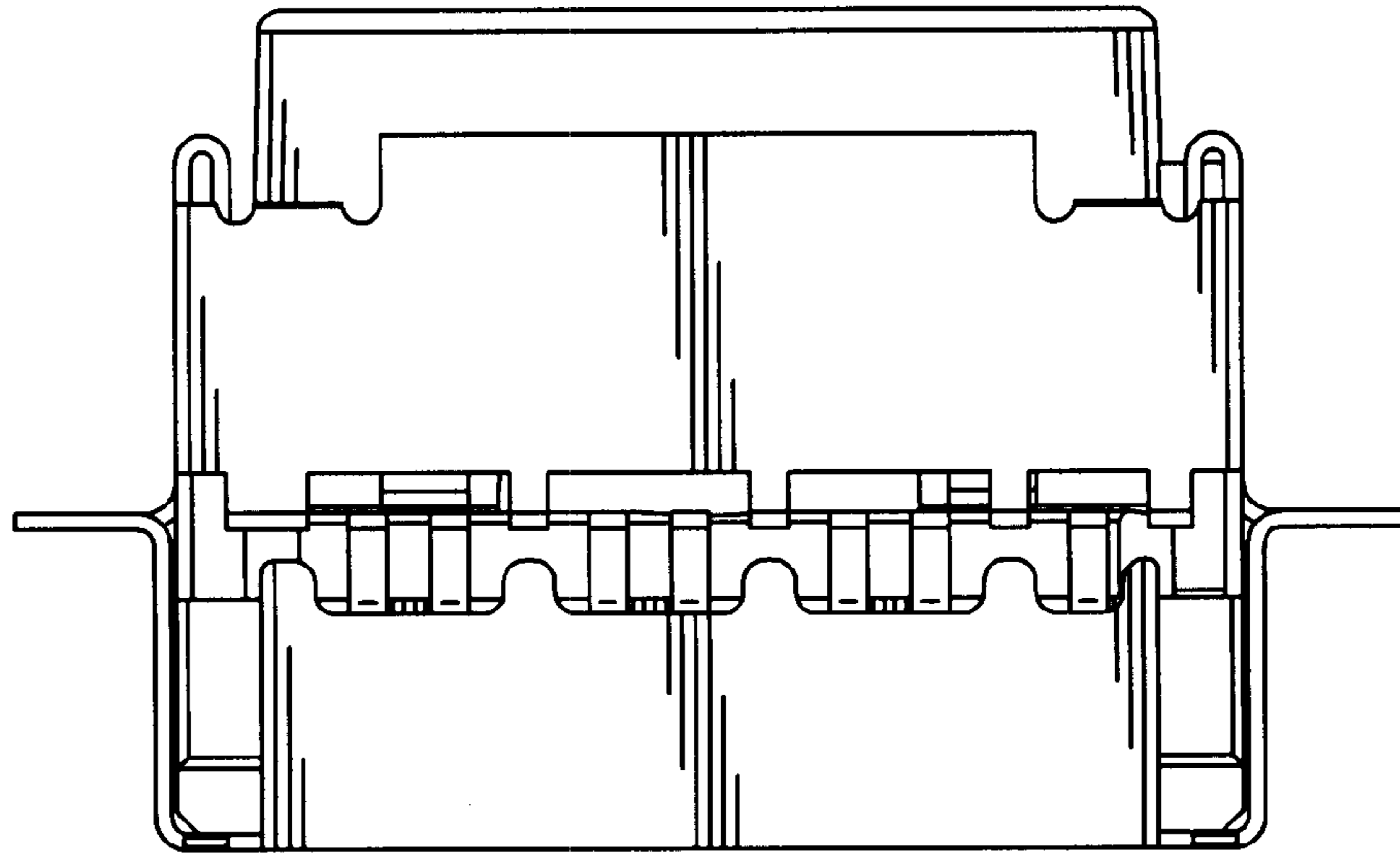


FIG. 4

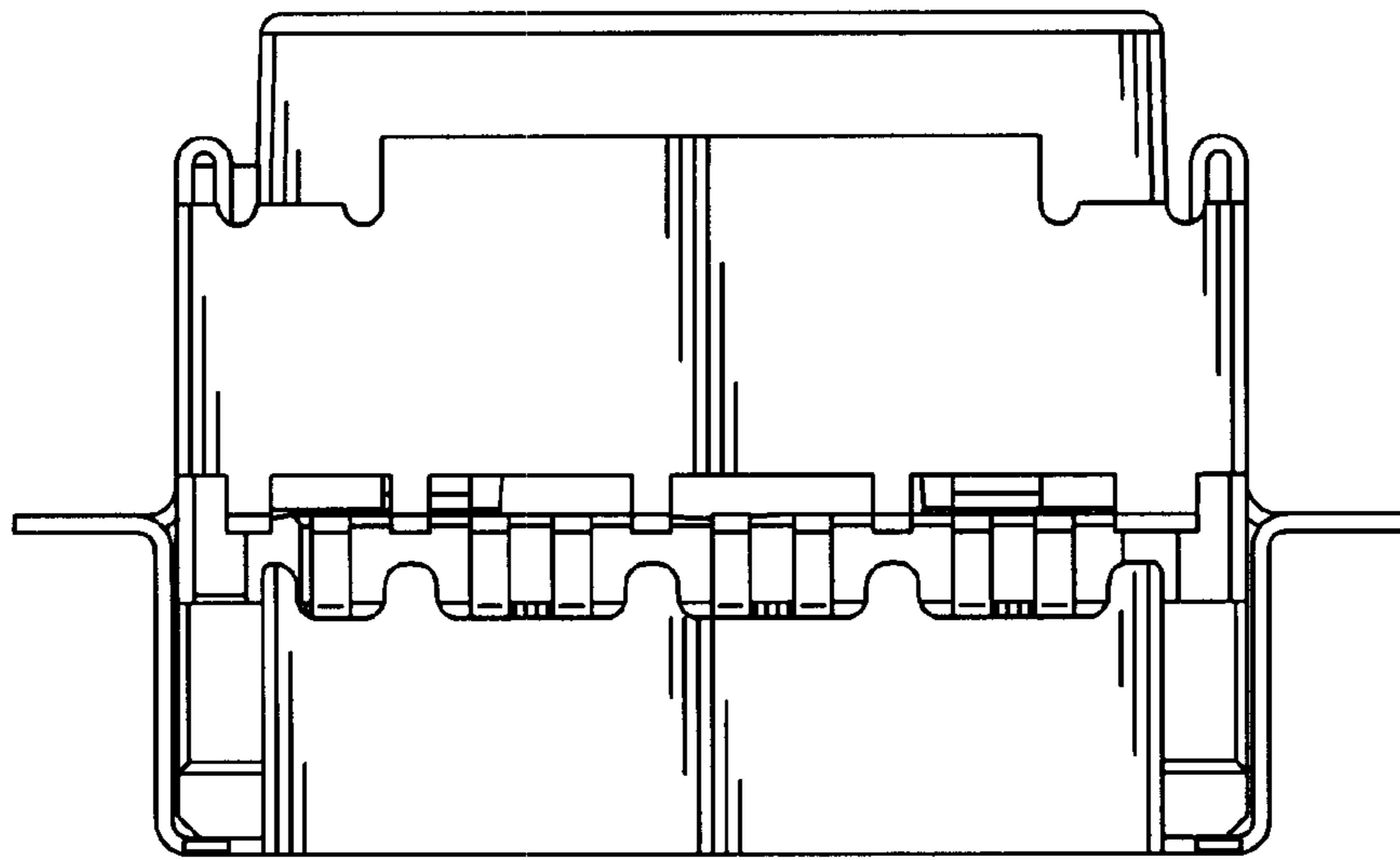


FIG. 5

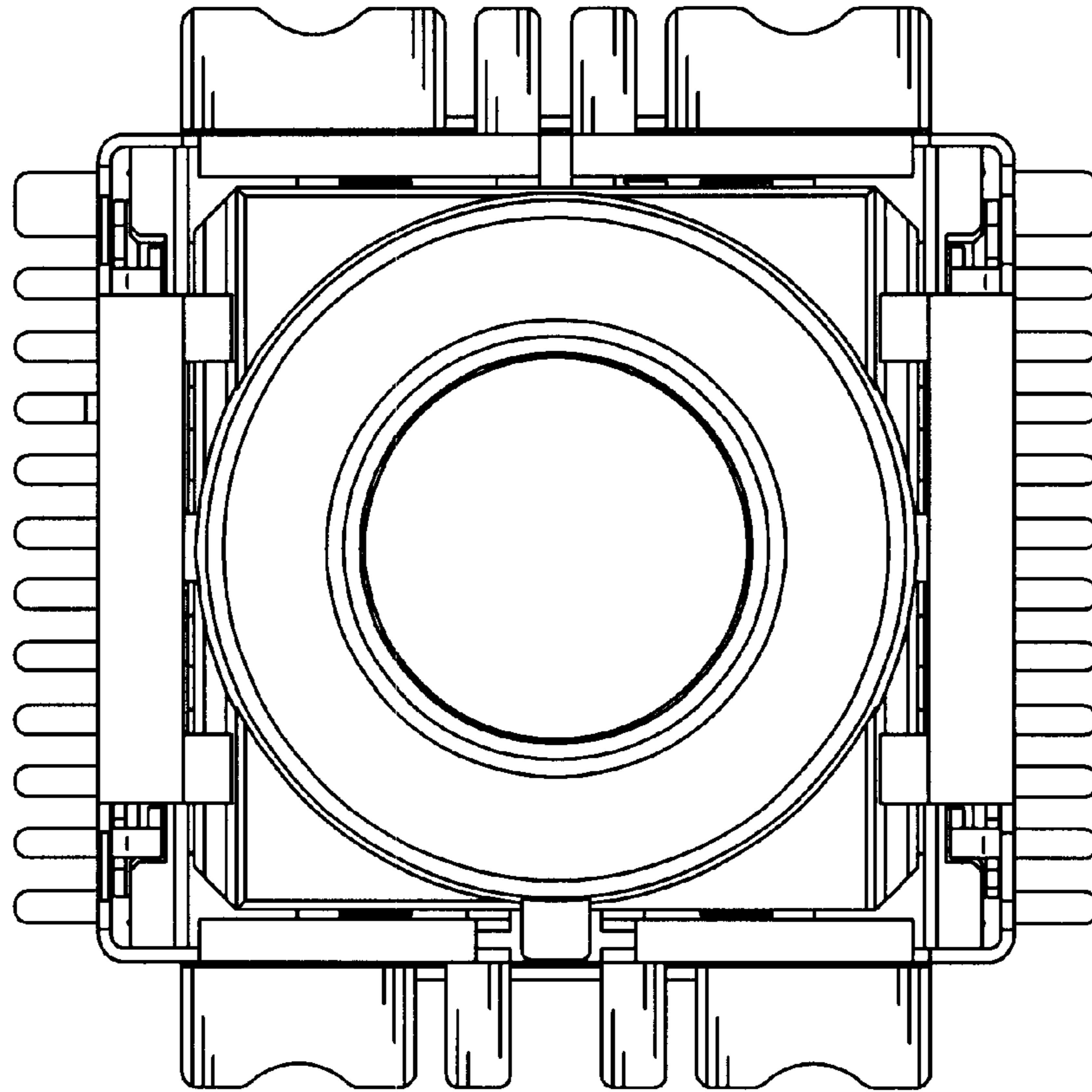


FIG. 6

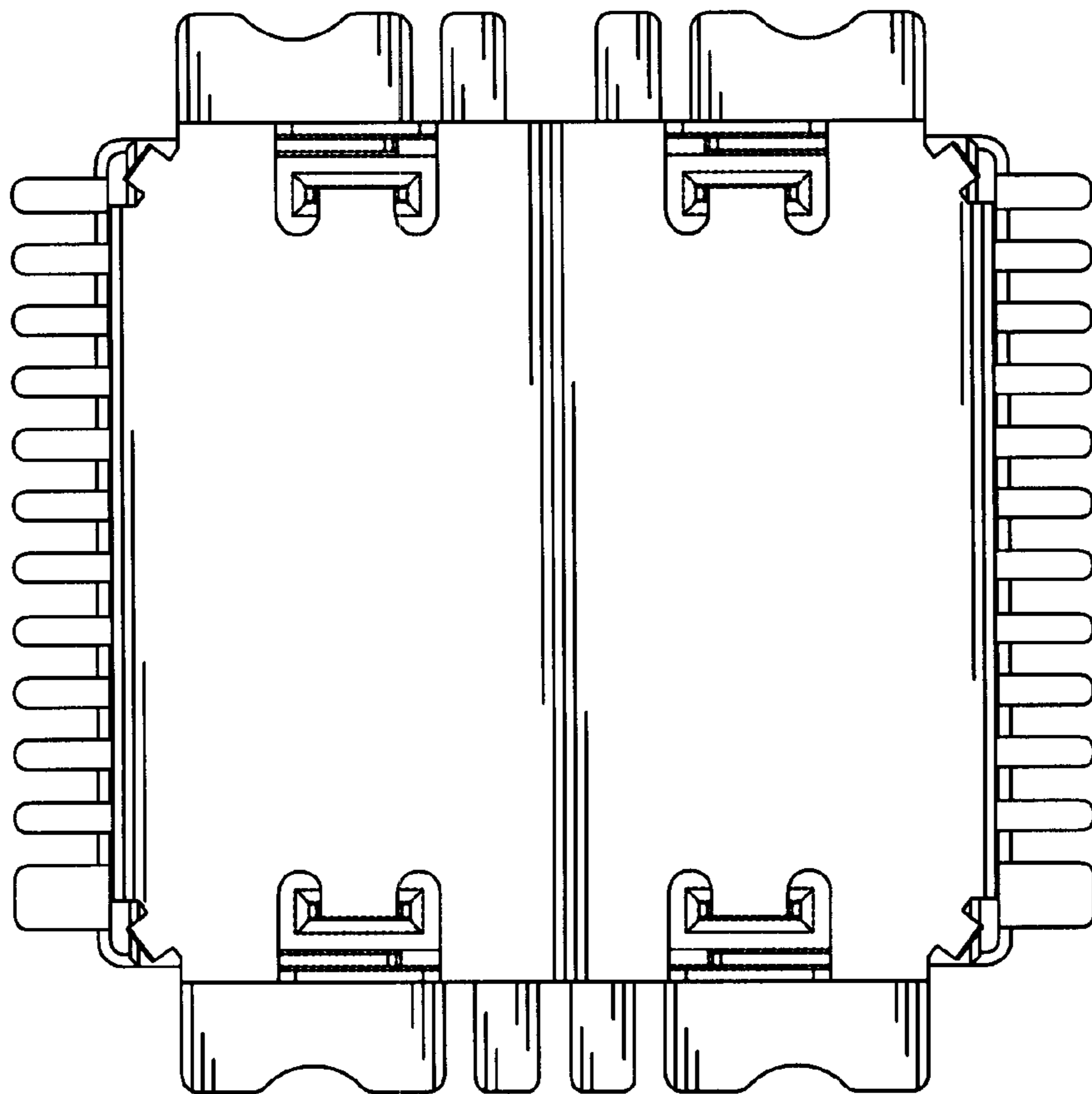


FIG. 7