



US00D541218S

(12) **United States Design Patent**
Colopy

(10) **Patent No.:** **US D541,218 S**

(45) **Date of Patent:** **** Apr. 24, 2007**

(54) **THERMAL MATERIAL BODY**

(75) Inventor: **Curtis M. Colopy**, New Paltz, NY
(US)

(73) Assignee: **Durable Systems, Inc.**, Gardiner, NY
(US)

(**) Term: **14 Years**

(21) Appl. No.: **29/206,104**

(22) Filed: **May 26, 2004**

(51) **LOC (8) Cl.** **13-03**

(52) **U.S. Cl.** **D13/129**

(58) **Field of Classification Search** D13/110,
D13/118, 123, 129, 131-132, 135, 145, 154,
D13/184; D8/349, 354, 364, 499; D23/314,
D23/386, 328-330; 174/5 SB; 219/72, 209,
219/260, 270, 385, 388, 391, 481, 520, 530-531;
431/153, 343, 356

See application file for complete search history.

(56) **References Cited**

U.S. PATENT DOCUMENTS

D285,334 S	*	8/1986	Johnson	D7/416
D293,313 S	*	12/1987	Justiano et al.	D13/133
D343,337 S	*	1/1994	Johnston	D7/417
D413,101 S	*	8/1999	Avery et al.	D13/147
D442,469 S	*	5/2001	Roozen et al.	D8/354
7,005,612 B2	*	2/2006	Han	219/270
2004/0191715 A1	*	9/2004	Nakamura et al.	431/255

OTHER PUBLICATIONS

Web page from Saint-Gobain Ceramics, Crystar Igniters,
www.nortonigniters.com/data/element/note/category, dated
Jan. 4, 2004. (1-page).

Specification Sheet from Starlite describing Dryer Igniter
Kit No. 1026, P/N 11120-400-1026 (1-page).

* cited by examiner

Primary Examiner—Daniel Bui

(74) *Attorney, Agent, or Firm*—Lackenbach Siegel, LLP;
Andrew F. Young, Esq.

(57) **CLAIM**

The ornamental design for a thermal material body, as
shown and described.

DESCRIPTION

FIG. 1 is a top, front and right side perspective view of the
first embodiment of a thermal material body, showing my
new design;

FIG. 2 is a top plan view thereof;

FIG. 3 is a bottom plan view thereof;

FIG. 4 is a front elevation view thereof;

FIG. 5 is a left side elevation view thereof;

FIG. 6 is a right side elevation view thereof;

FIG. 7 is a back elevation view thereof;

FIG. 8 is a top, front and right side perspective view of the
second embodiment of a thermal material body, showing my
new design;

FIG. 9 is a top plan view thereof;

FIG. 10 is a bottom plan view thereof;

FIG. 11 is a front elevation view thereof;

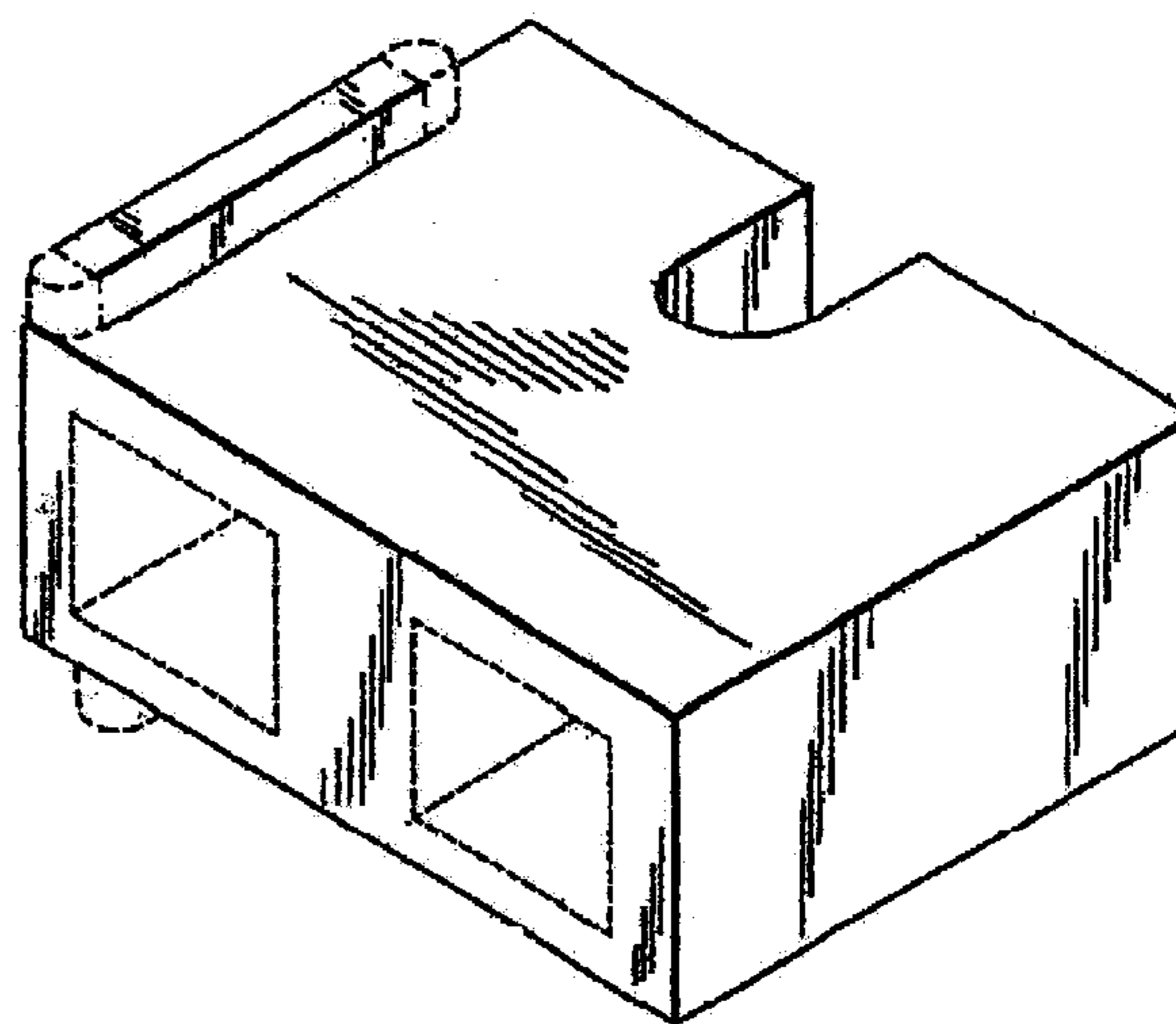
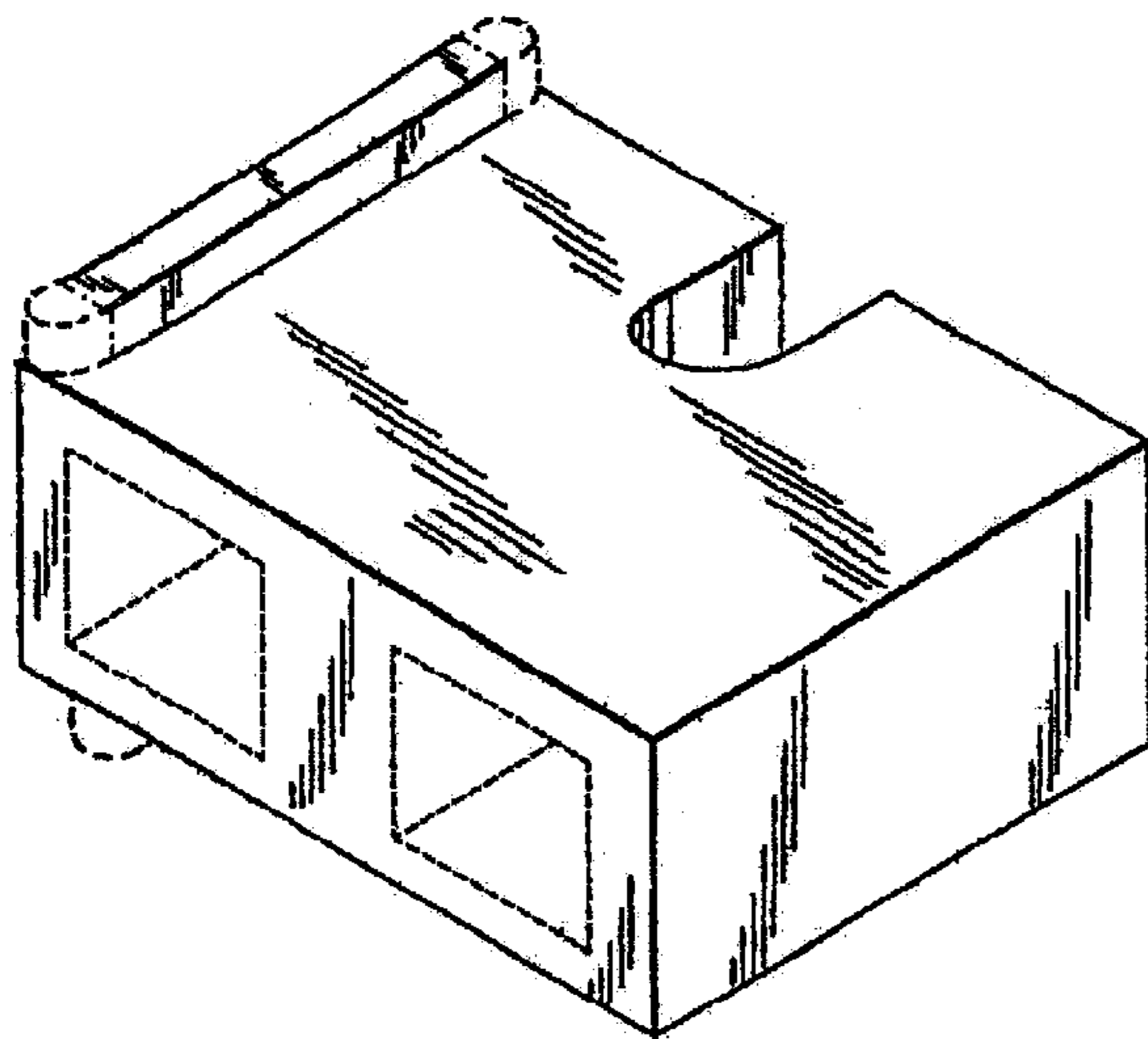
FIG. 12 is a left side elevation view thereof;

FIG. 13 is a right side elevation view thereof; and,

FIG. 14 is a back elevation view thereof.

The dash-dot line shown in FIGS. 1, 2, 3, 5, 6, 8, 9, 10, 12
and 13 represents boundary line of the claimed design, and
the broken line showing of the environment is for illustrative
purposes only and forms no part of the claimed design.

1 Claim, 6 Drawing Sheets



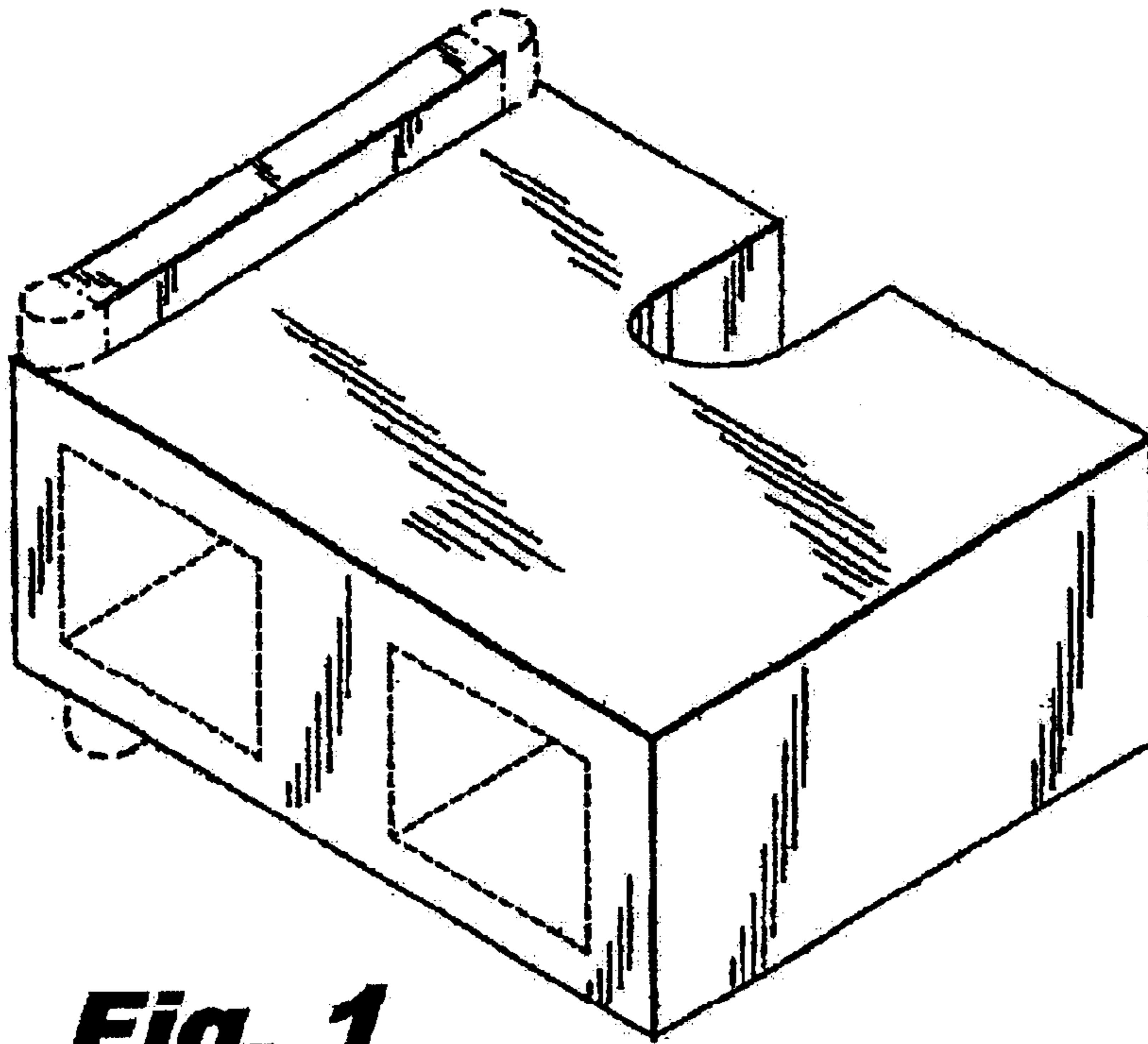


Fig. 1

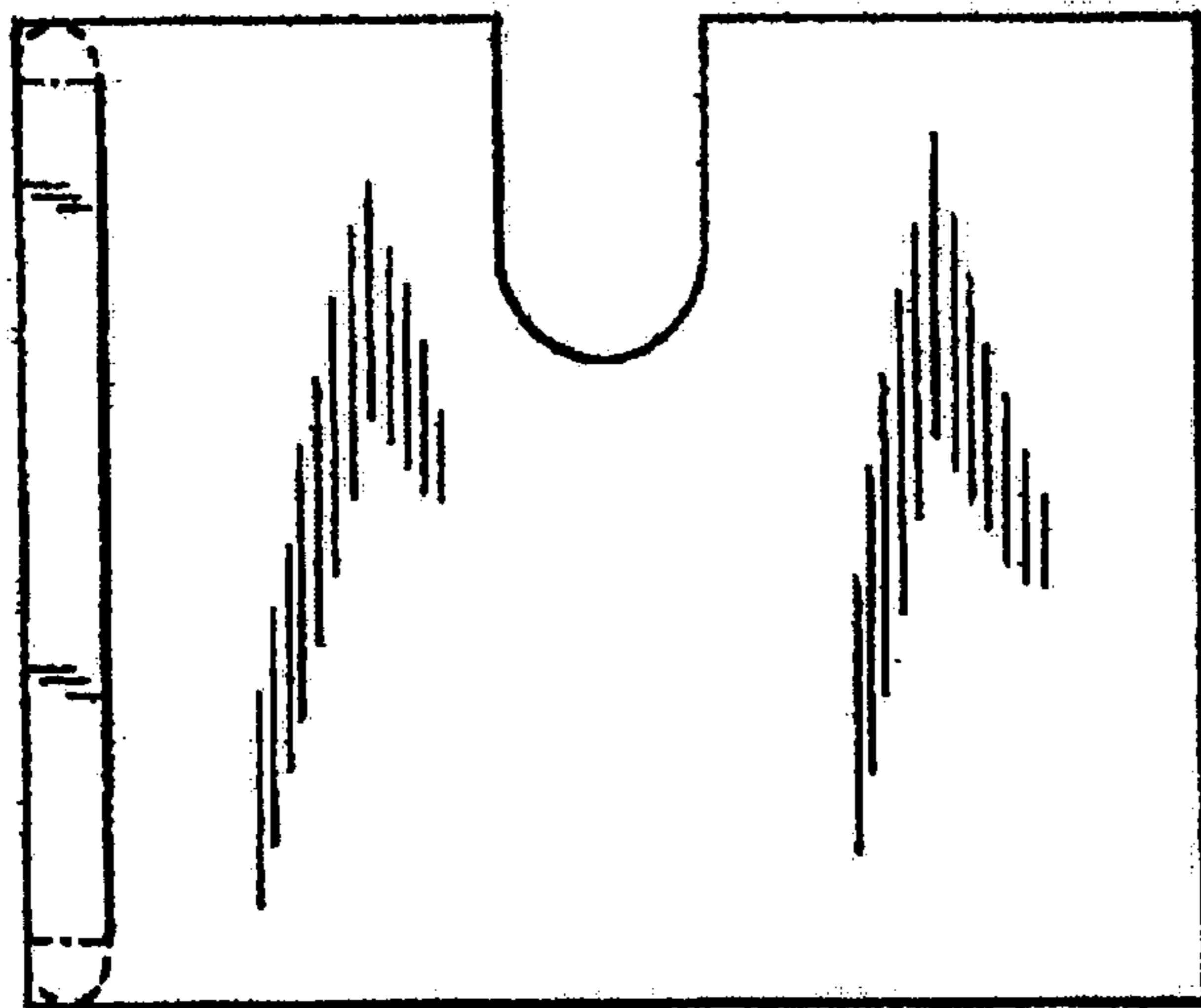


Fig. 2

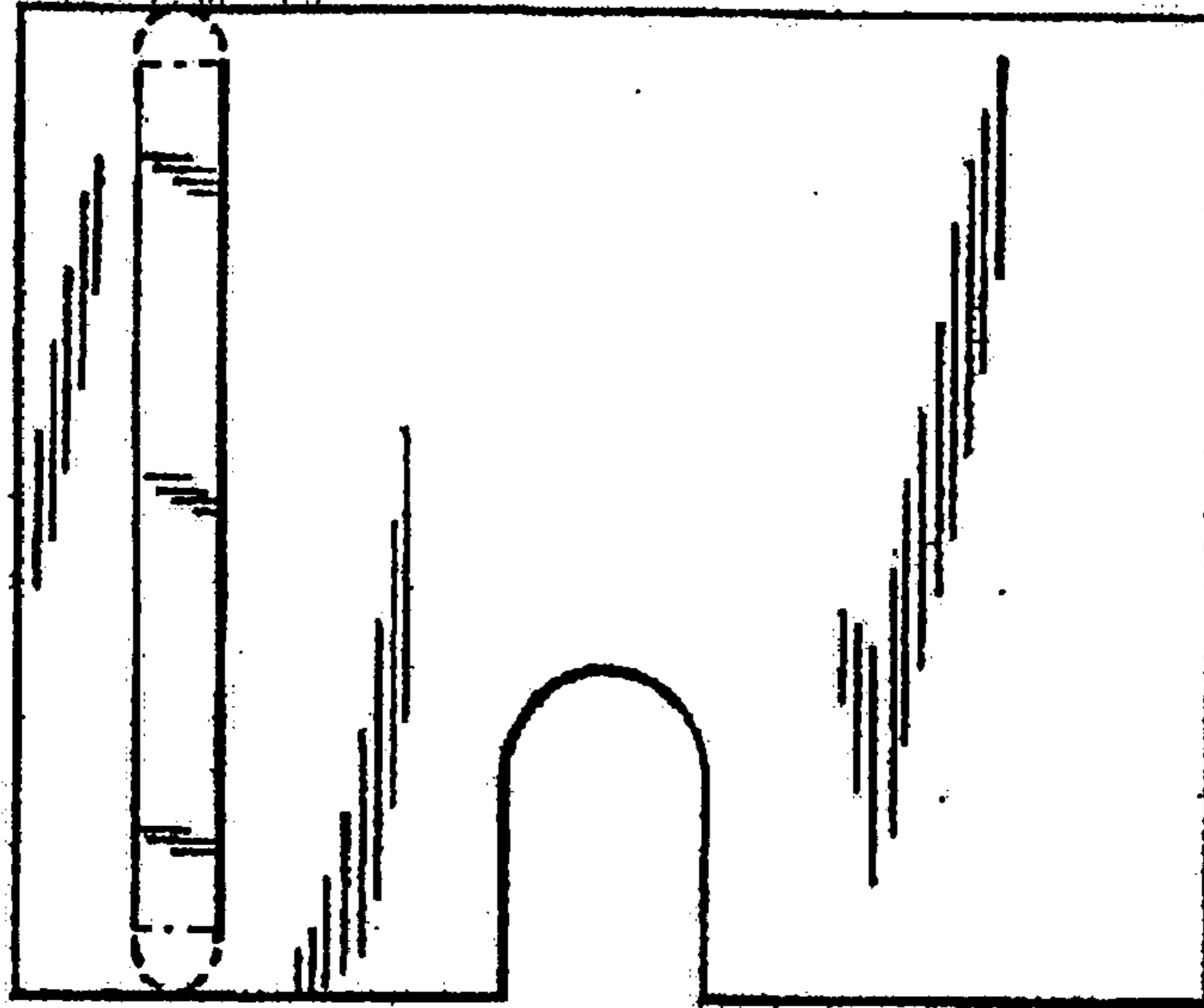


Fig. 3

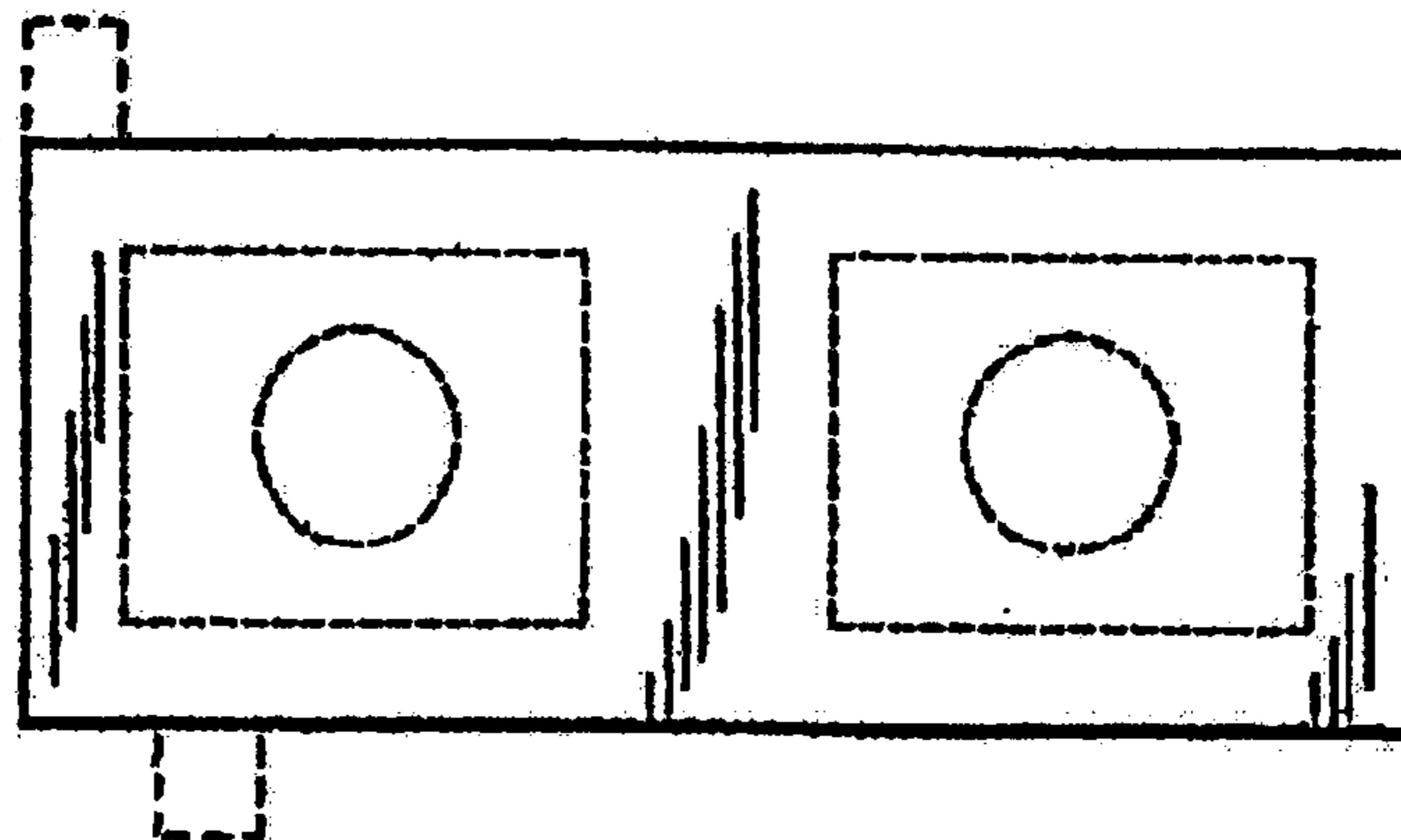


Fig. 4

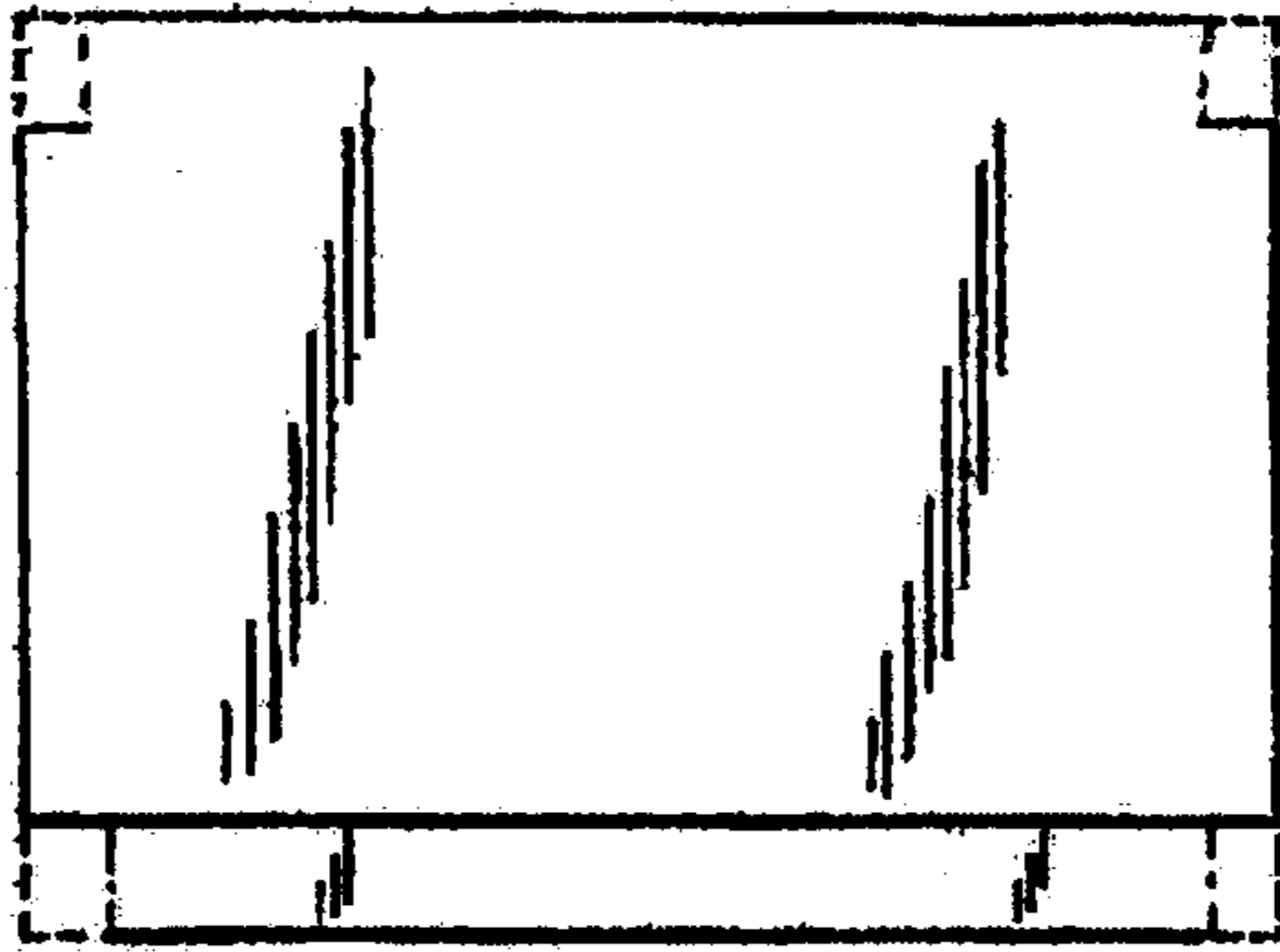


Fig. 5

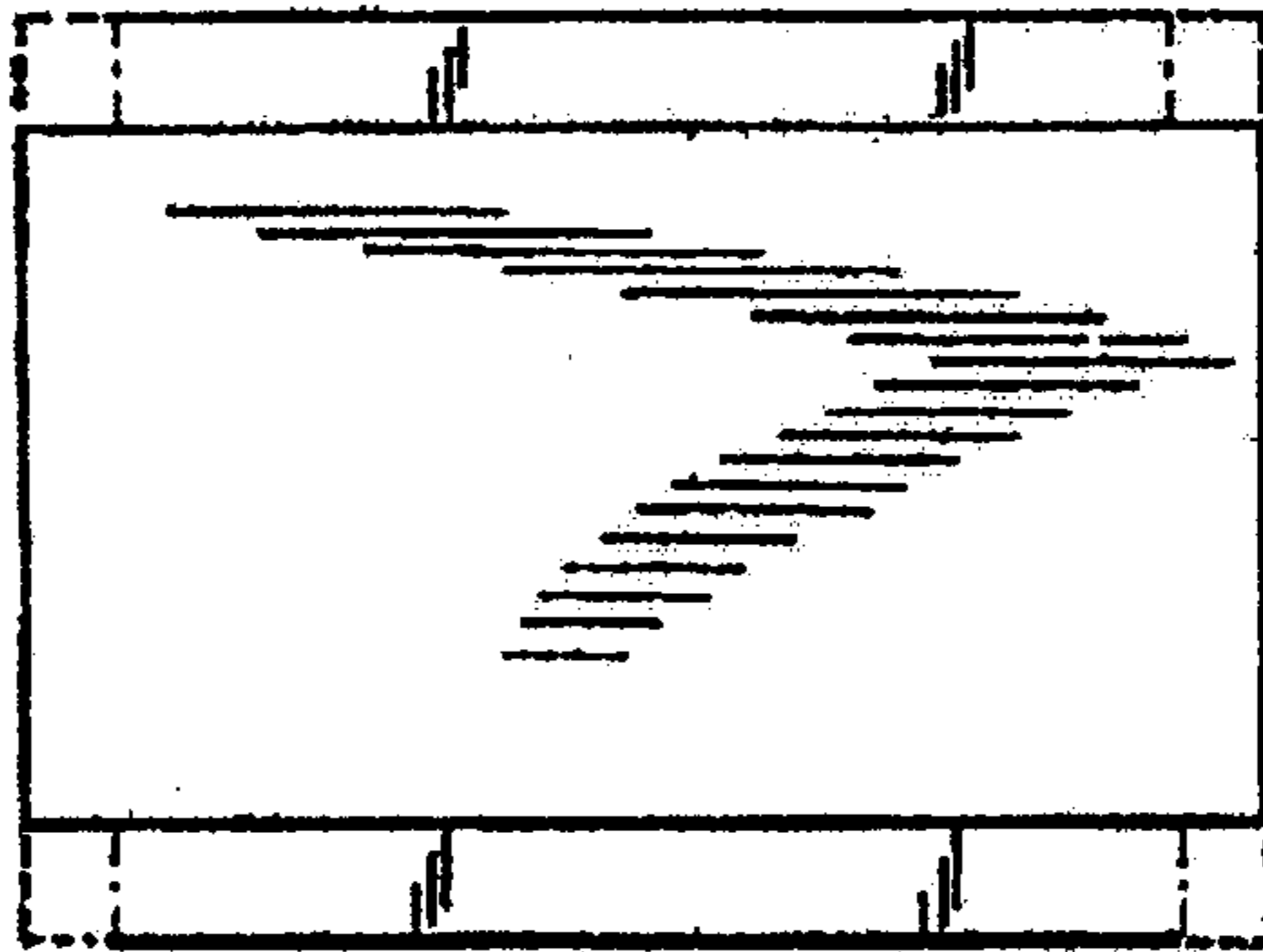


Fig. 6

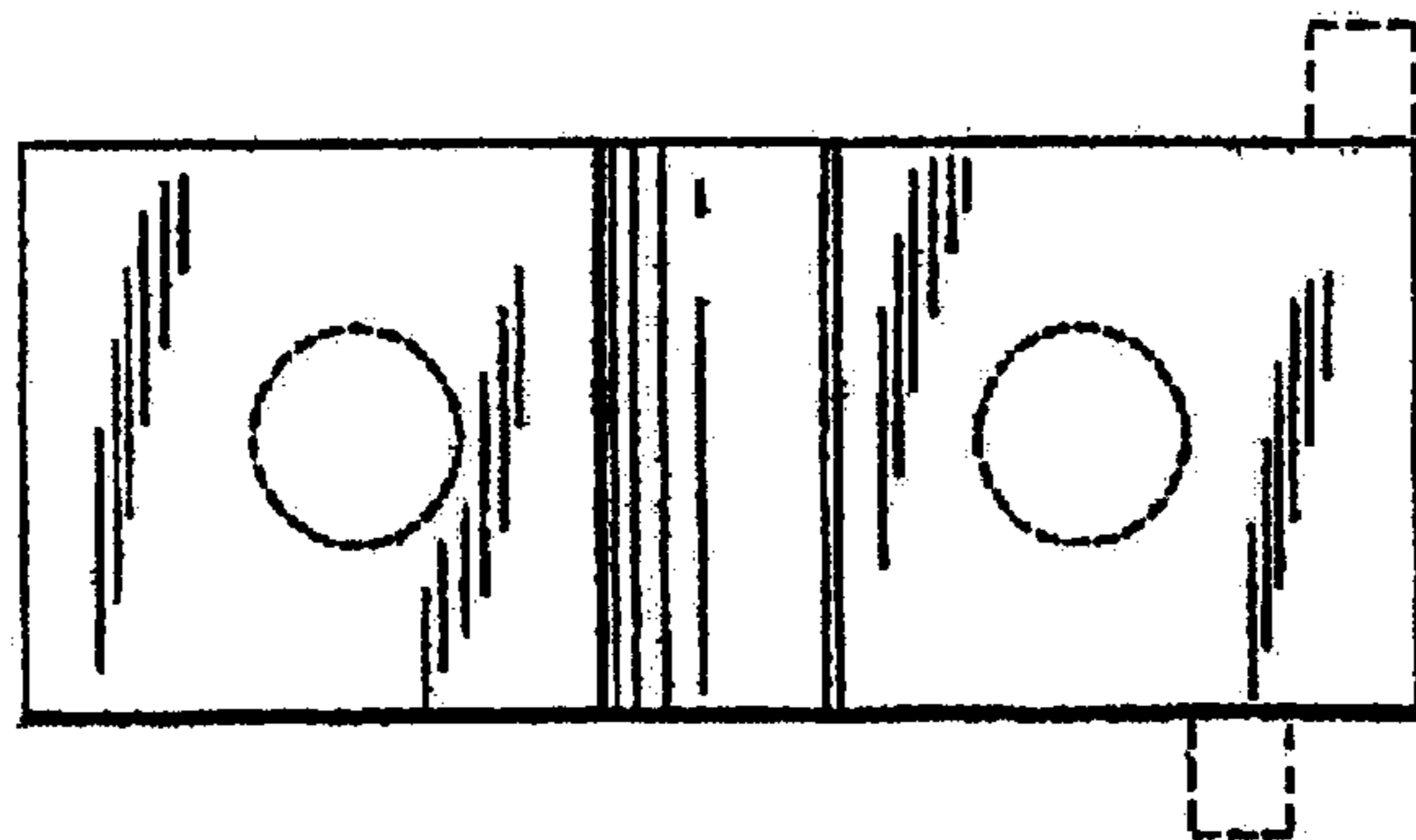


Fig. 7

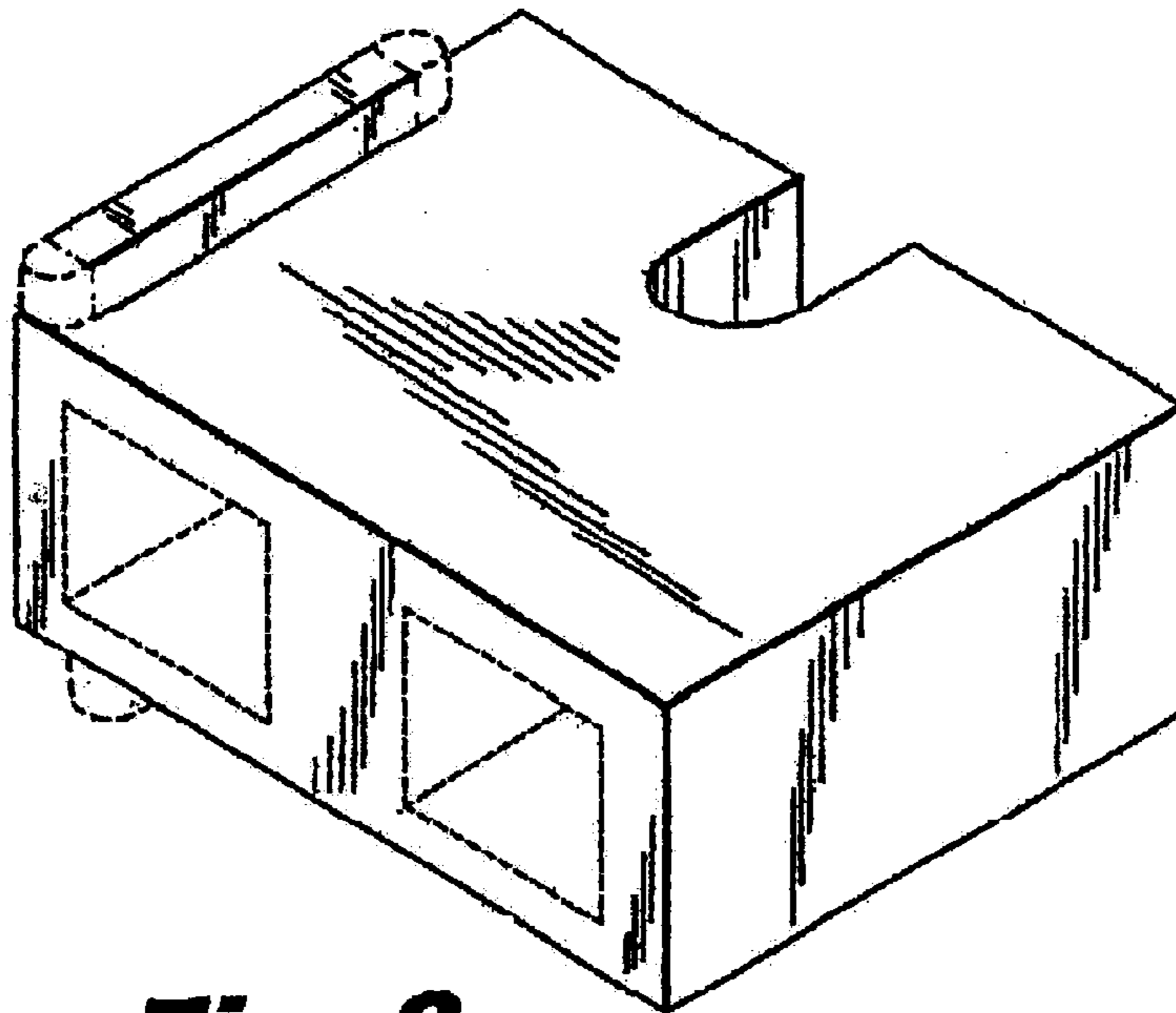


Fig. 8

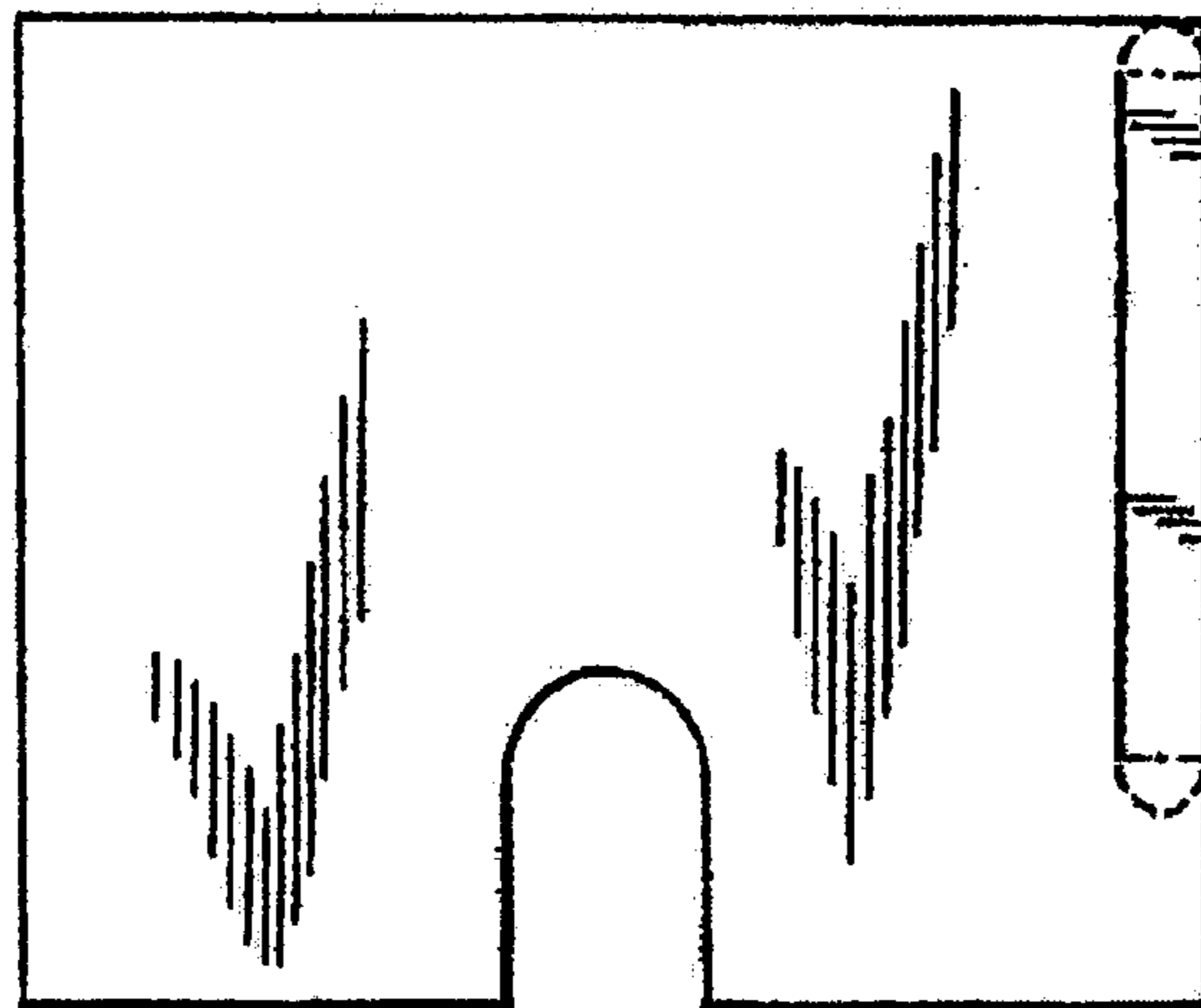


Fig. 9

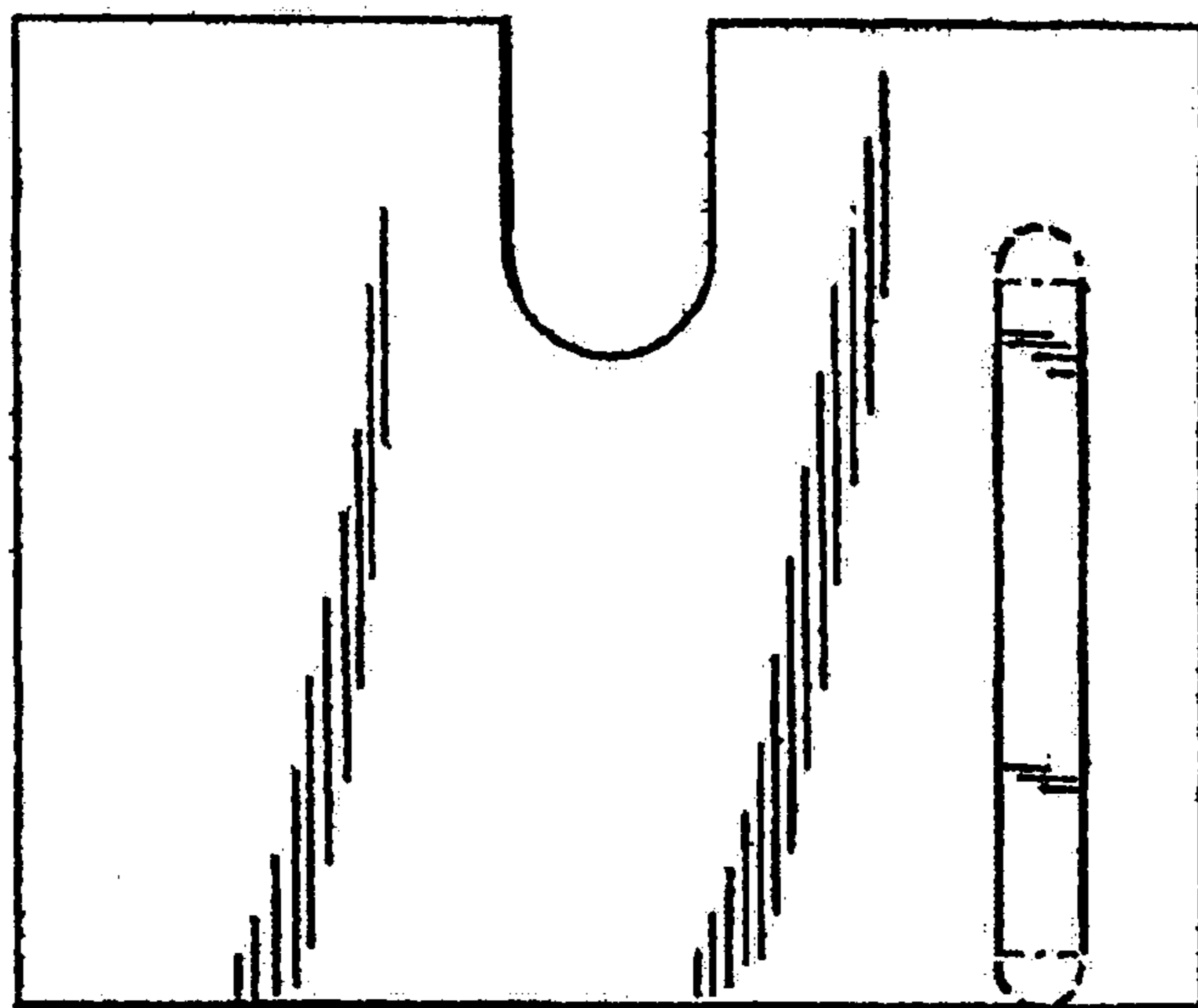


Fig. 10

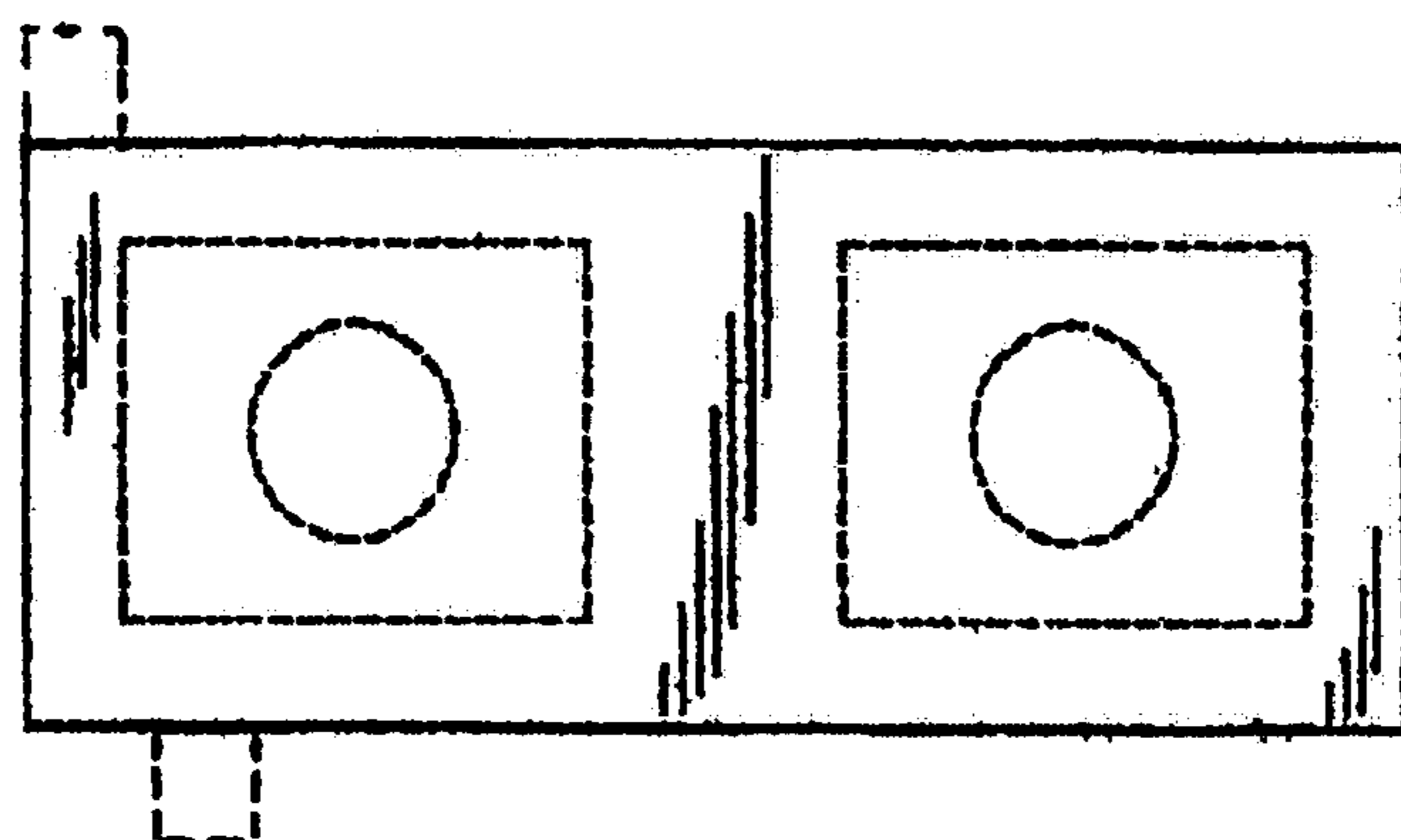


Fig. 11

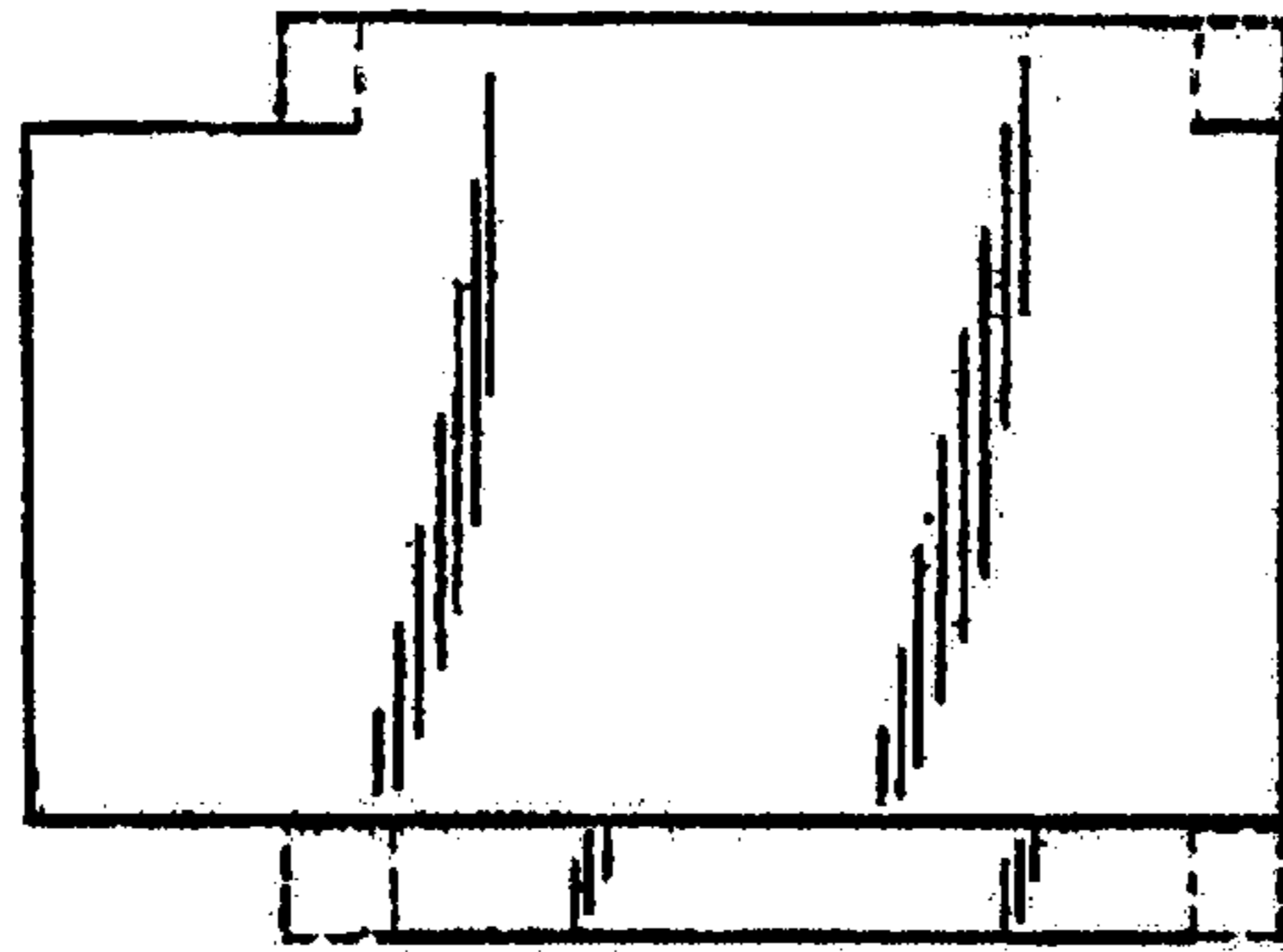


Fig. 12

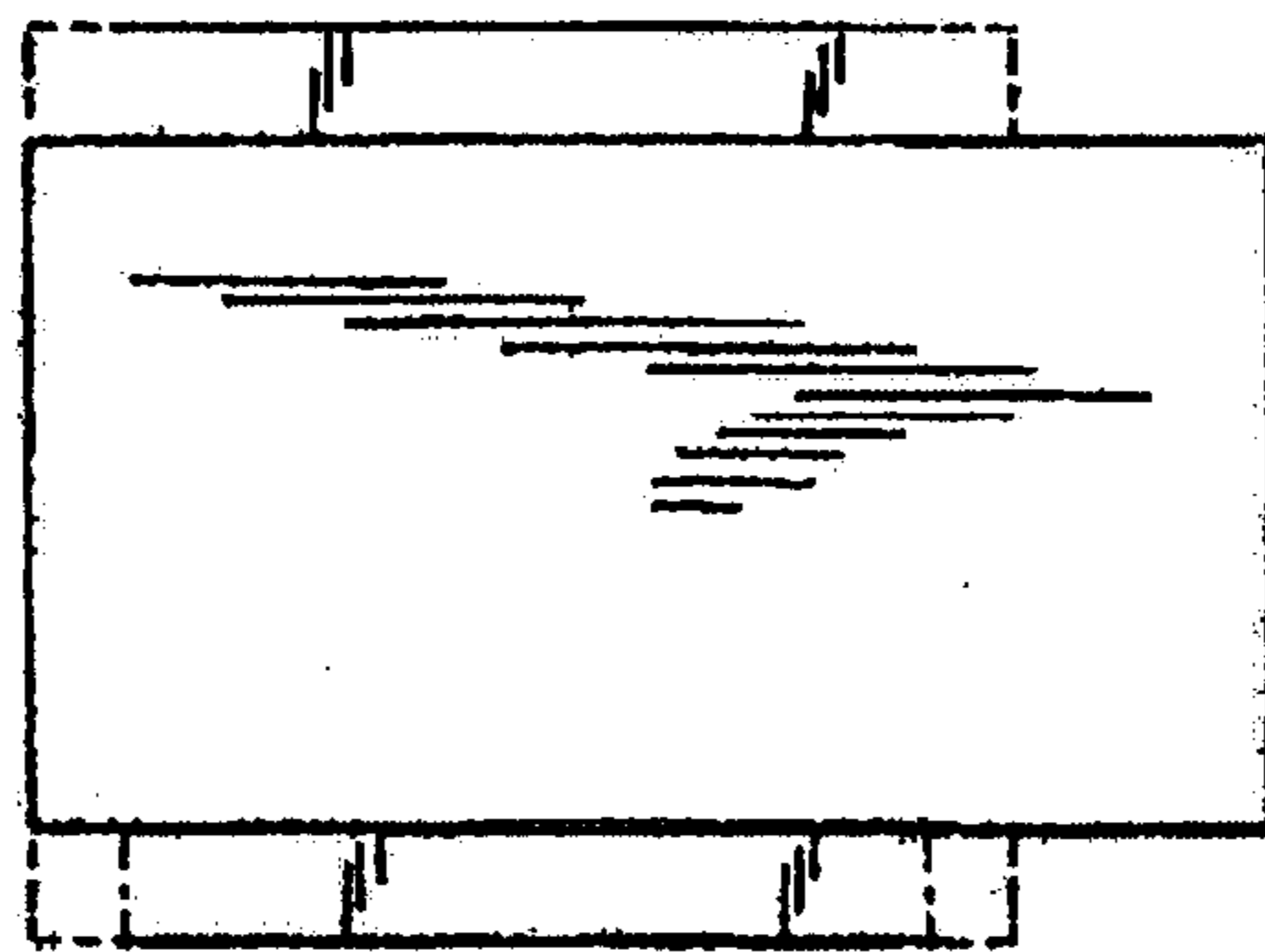


Fig. 13

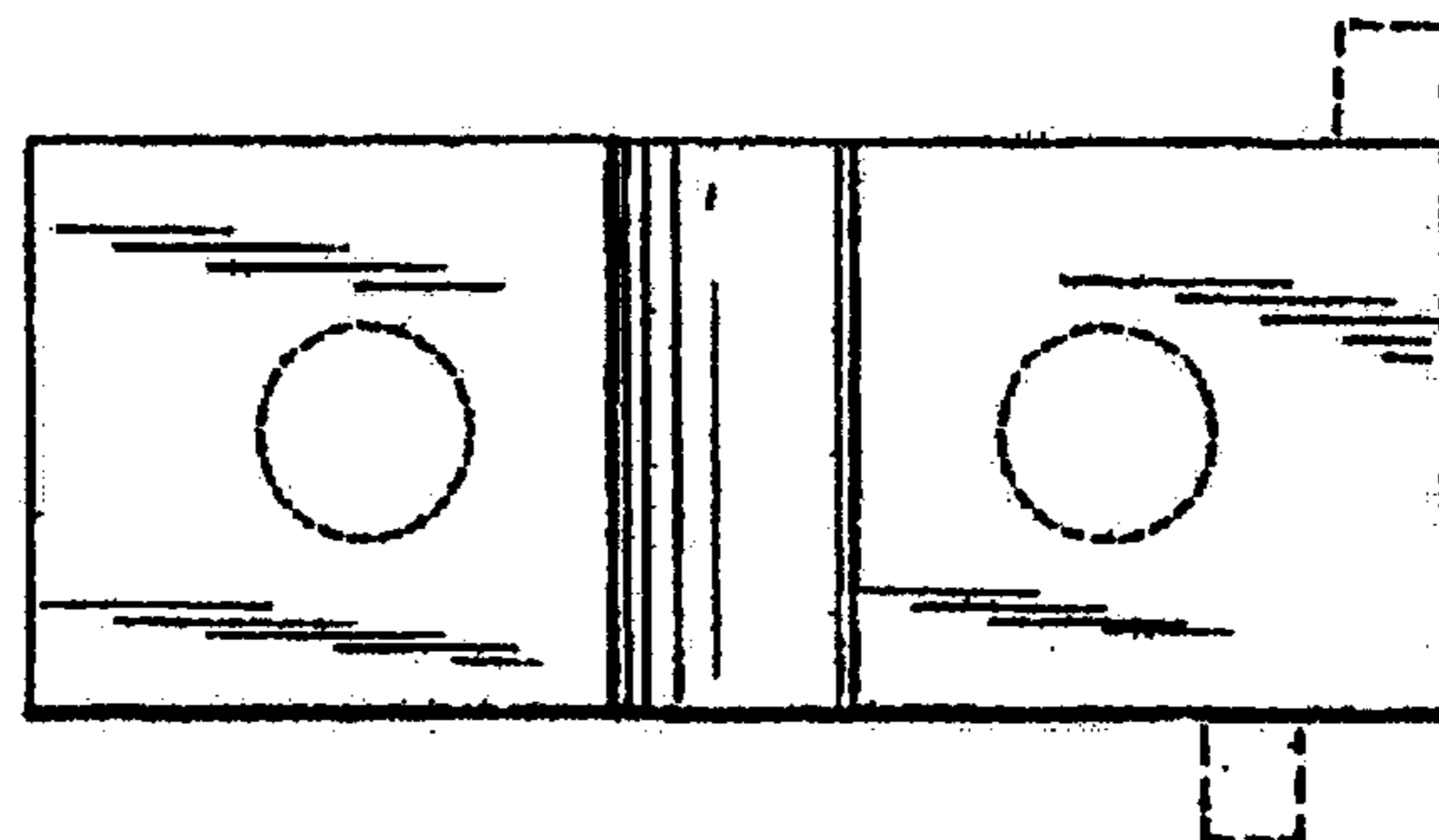


Fig. 14