



US00D541216S

(12) **United States Design Patent**
Albano et al.

(10) **Patent No.:** **US D541,216 S**

(45) **Date of Patent:** **** Apr. 24, 2007**

(54) **TOWER UNINTERRUPTIBLE POWER SUPPLY**

(75) Inventors: **Carlo Albano**, Burlington, MA (US);
Brian McKenna, Merrimack, NH (US);
Lou Perry, Acton, MA (US); **David L. Schuttler**, Townsend, MA (US)

(73) Assignee: **American Power Conversion Corporation**, West Kingston, RI (US)

(**) Term: **14 Years**

(21) Appl. No.: **29/261,649**

(22) Filed: **Jun. 16, 2006**

Related U.S. Application Data

(62) Division of application No. 29/209,085, filed on Jul. 9, 2004, now Pat. No. Des. 530,276.

(51) **LOC (8) Cl.** **13-02**

(52) **U.S. Cl.** **D13/110**

(58) **Field of Classification Search** D13/110,
D13/112, 118, 123; D14/348-354; 361/600,
361/601, 622, 679, 683; 174/50, 53
See application file for complete search history.

(56) **References Cited**

U.S. PATENT DOCUMENTS

D314,174 S * 1/1991 Wong D13/123

D387,031 S * 12/1997 Tracewell et al. D13/110
D396,688 S * 8/1998 Lin D13/110
D429,213 S * 8/2000 Colver et al. D13/110
D435,828 S * 1/2001 Chou D13/110
D483,329 S * 12/2003 Kuo D13/110

* cited by examiner

Primary Examiner—Prabhakar Deshmukh

Assistant Examiner—Derrick Holland

(74) *Attorney, Agent, or Firm*—Mintz, Levin, Cohn, Ferris, Glovsky and Popeo, P.C.

(57) **CLAIM**

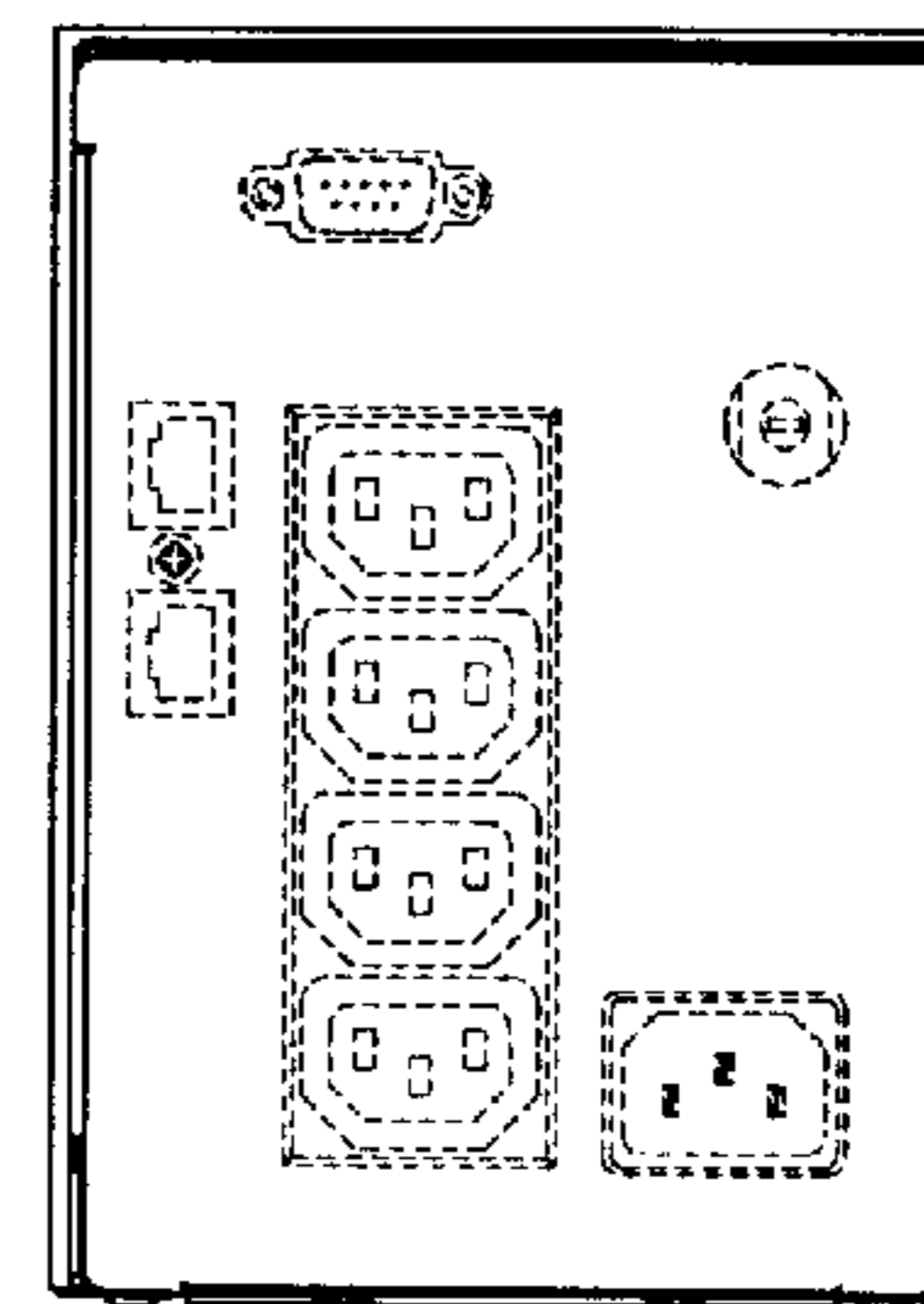
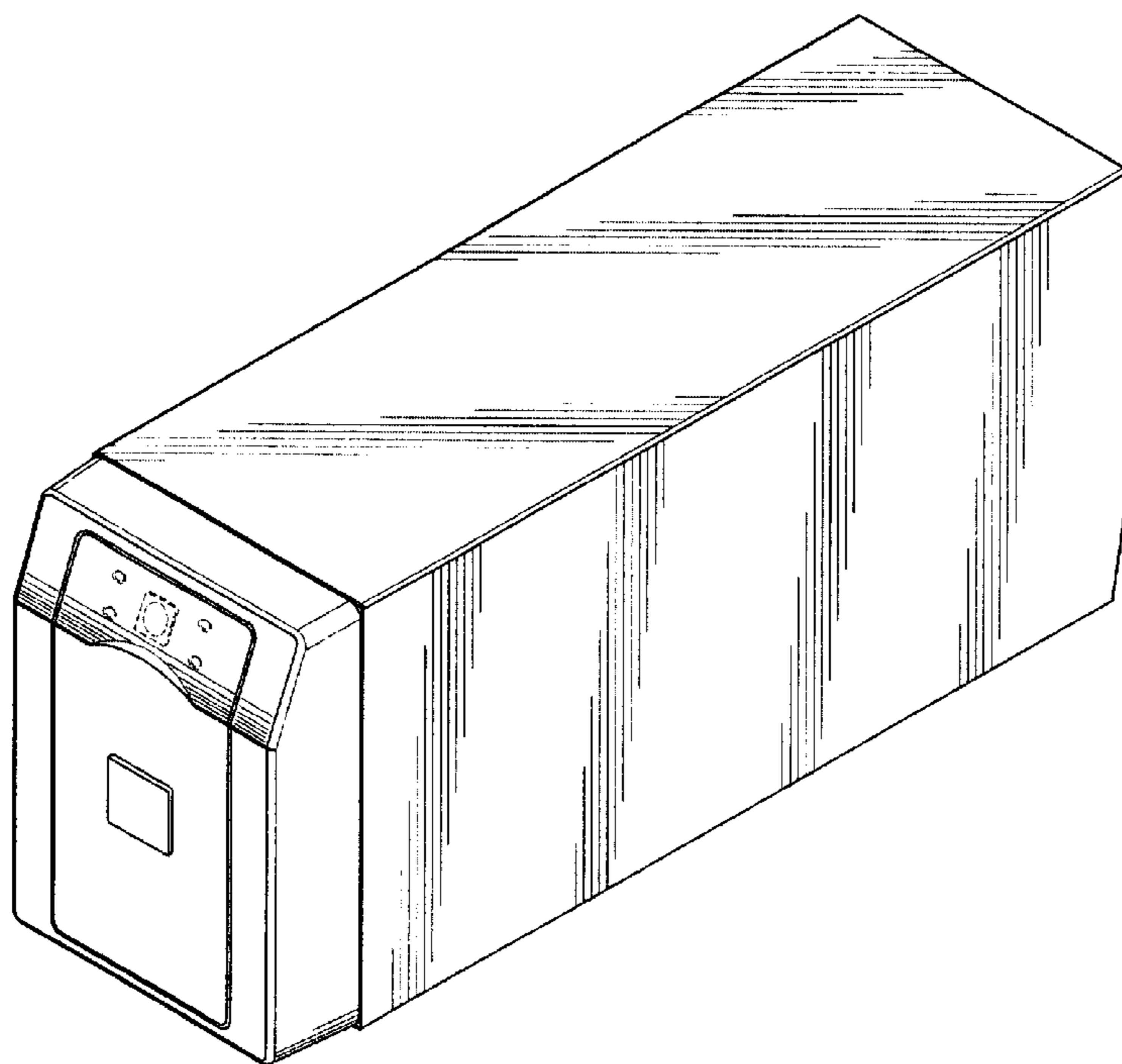
The ornamental design for a tower uninterruptible power supply, as shown and described.

DESCRIPTION

FIG. 1 is a perspective view of a tower uninterruptible power supply, showing our new design;
FIG. 2 is a front view thereof;
FIG. 3 is a top plan view thereof;
FIG. 4 is a left side view thereof;
FIG. 5 is a back view thereof;
FIG. 6 is a bottom view thereof; and,
FIG. 7 is a right side view thereof.

The ornamental design that is claimed is shown in solid lines in the drawings. The broken lines in the drawings are for illustrative purposes only and form no part of the claimed design.

1 Claim, 4 Drawing Sheets



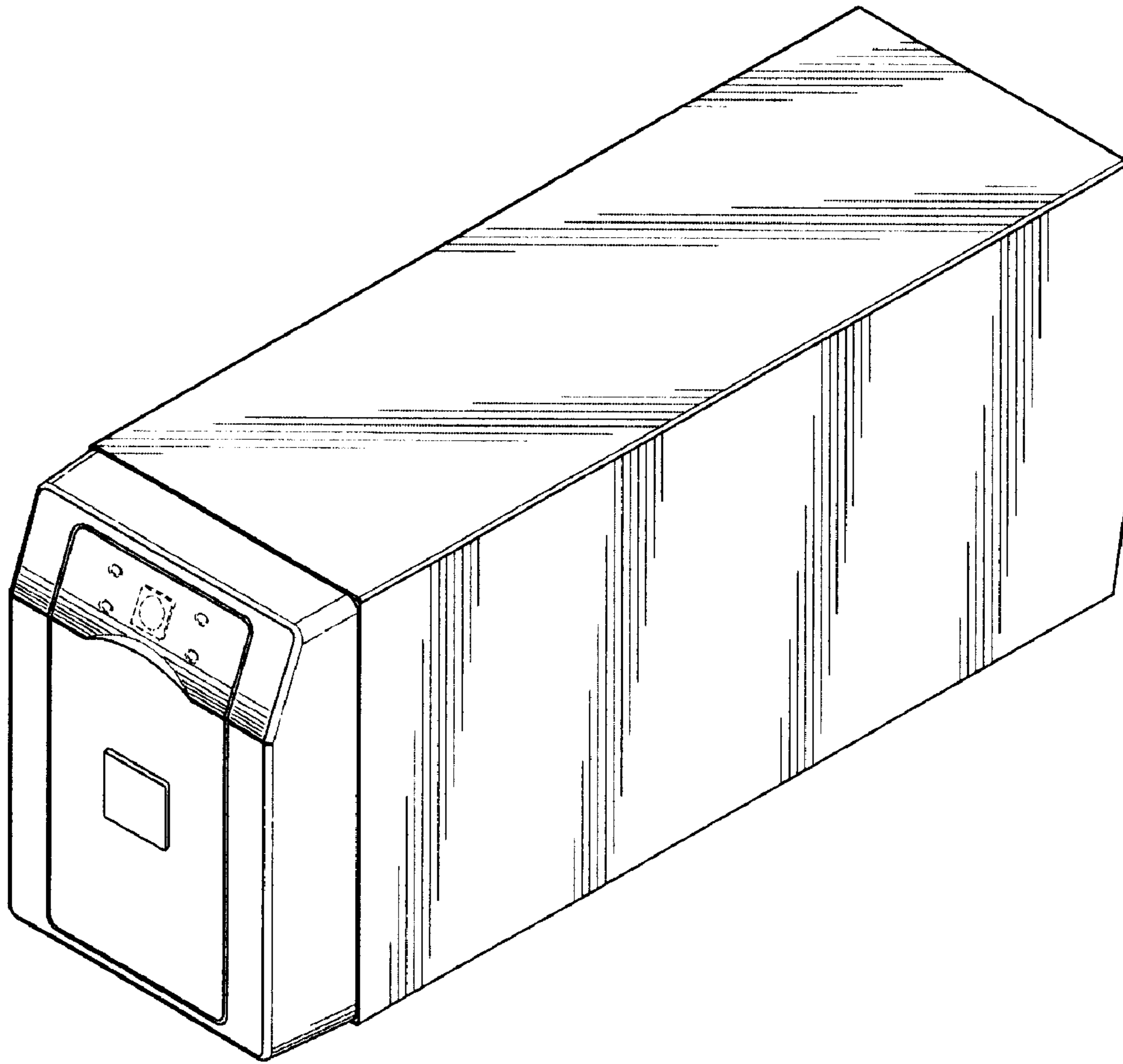


Fig. 1

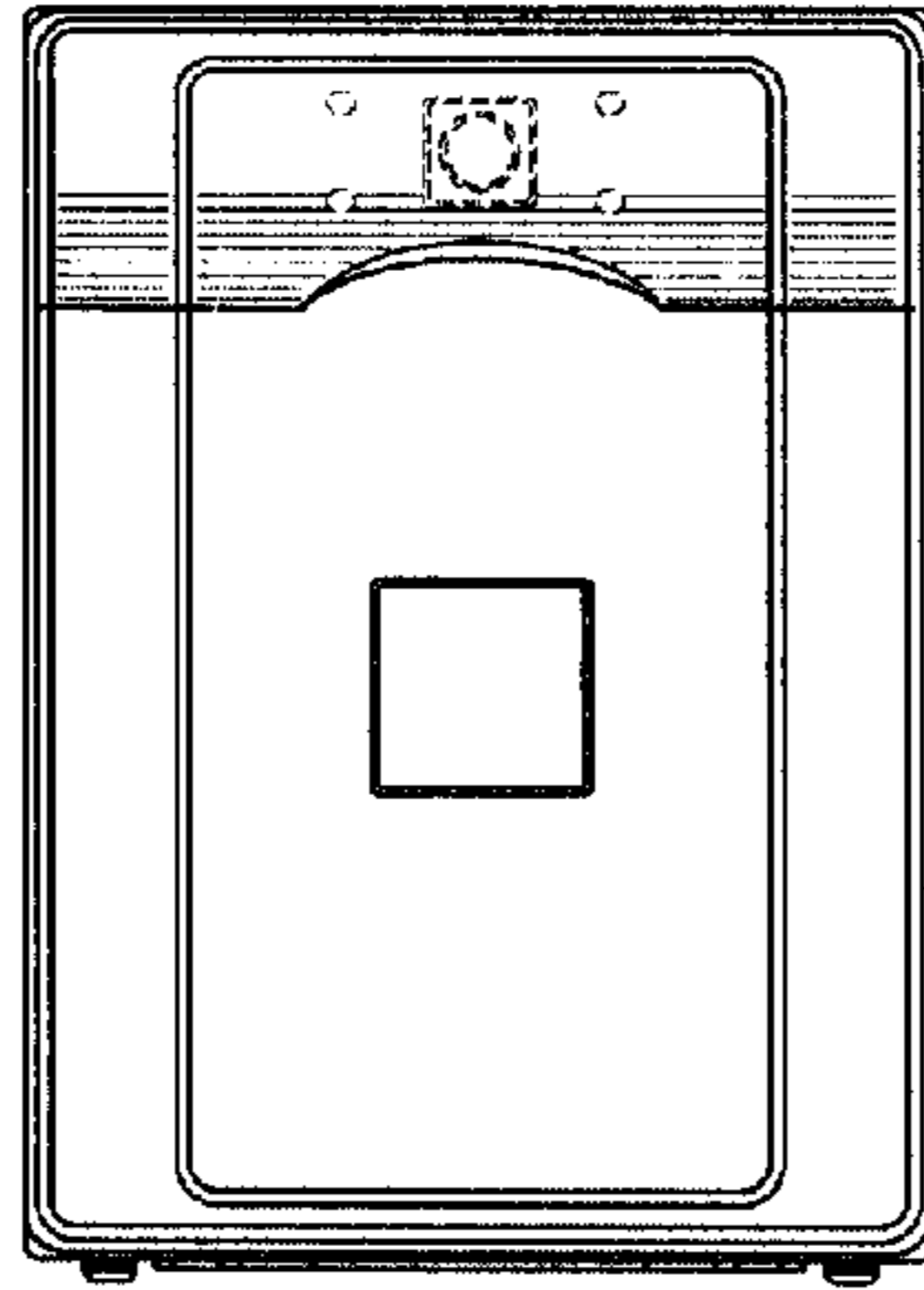


Fig. 2

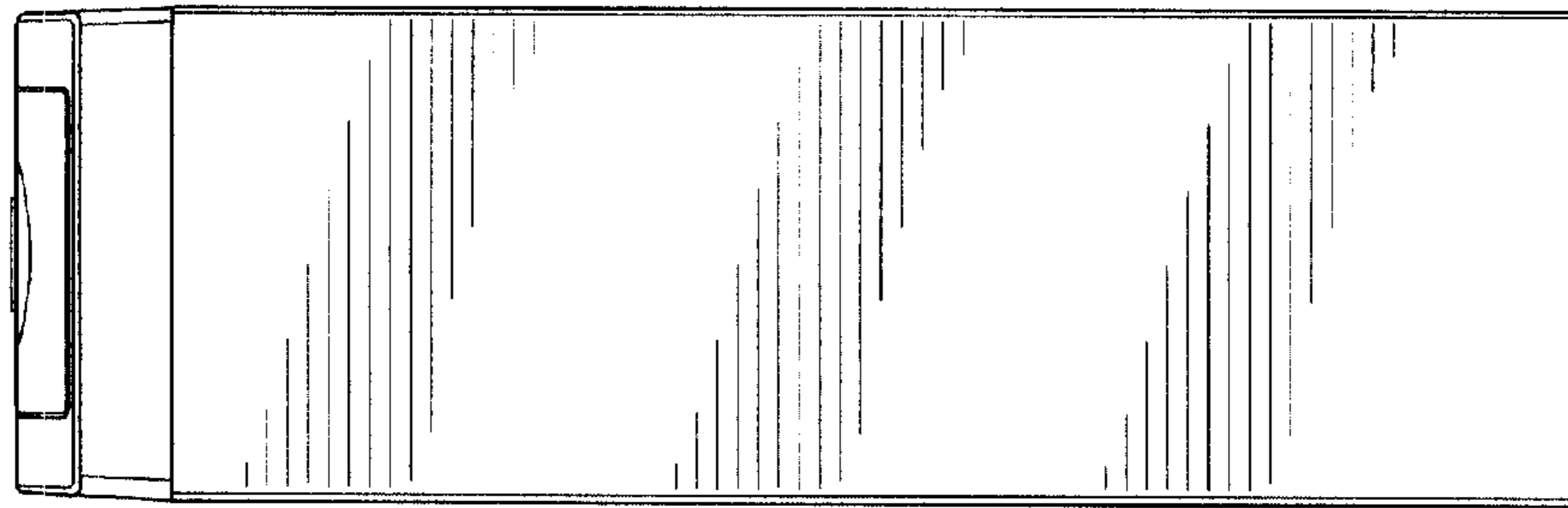


Fig. 3

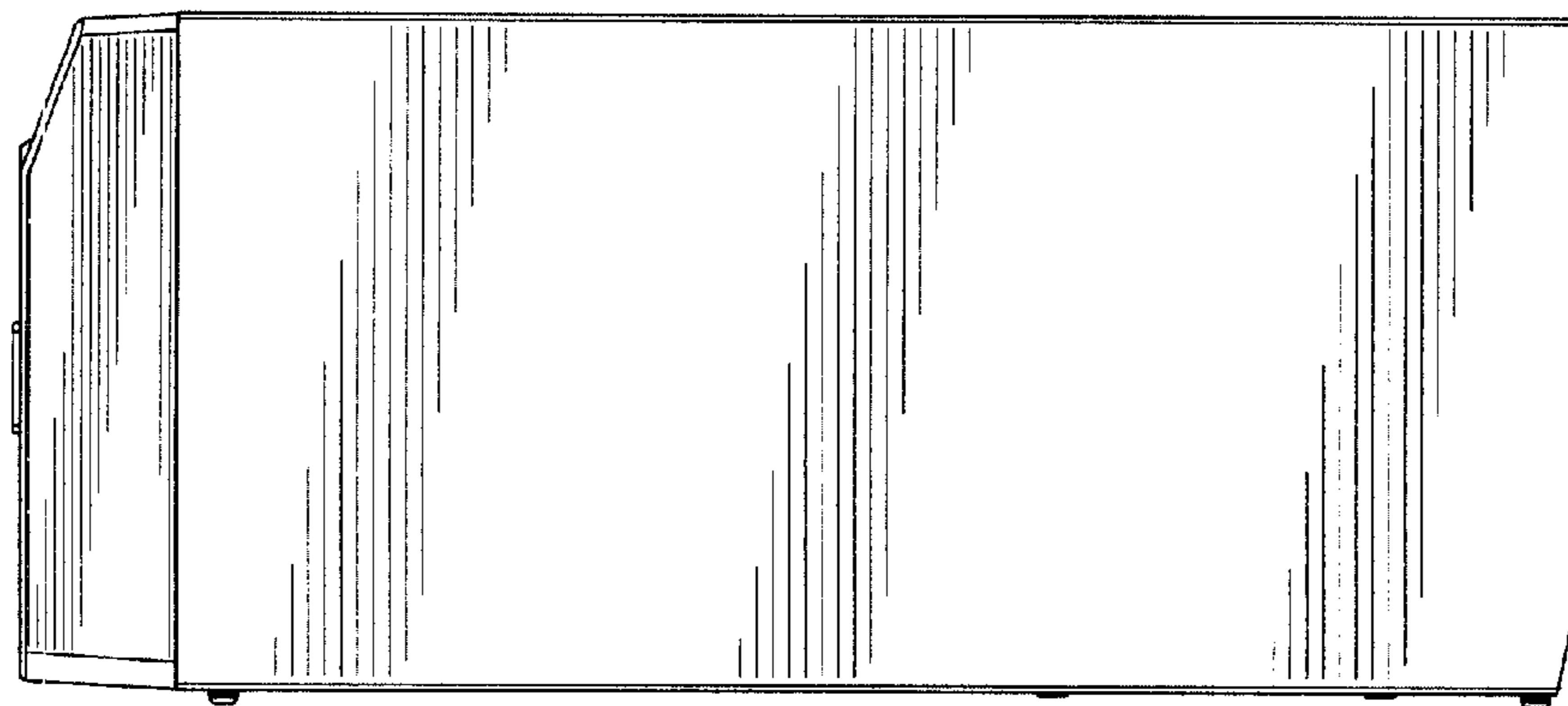


Fig. 4

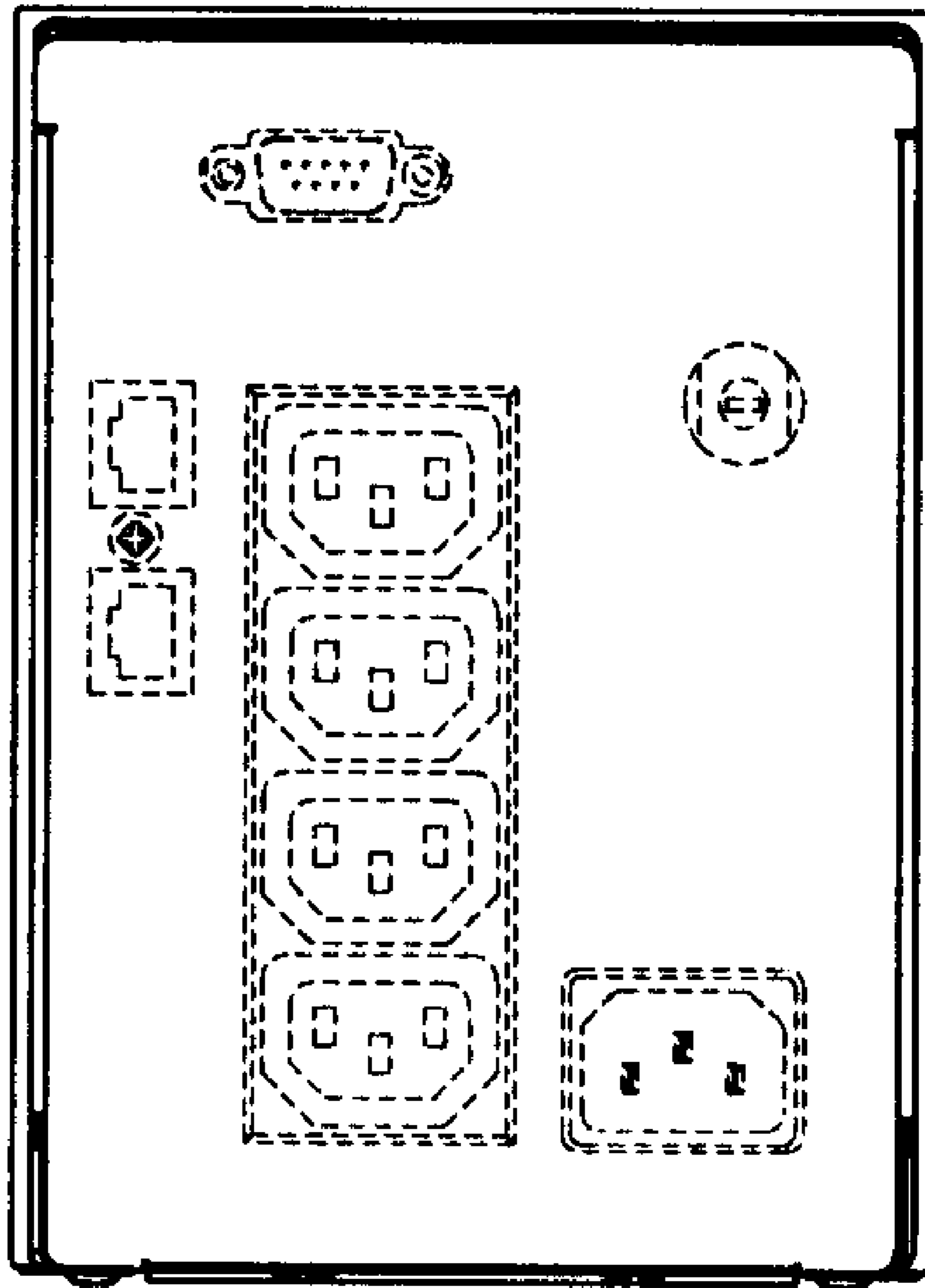


Fig. 5

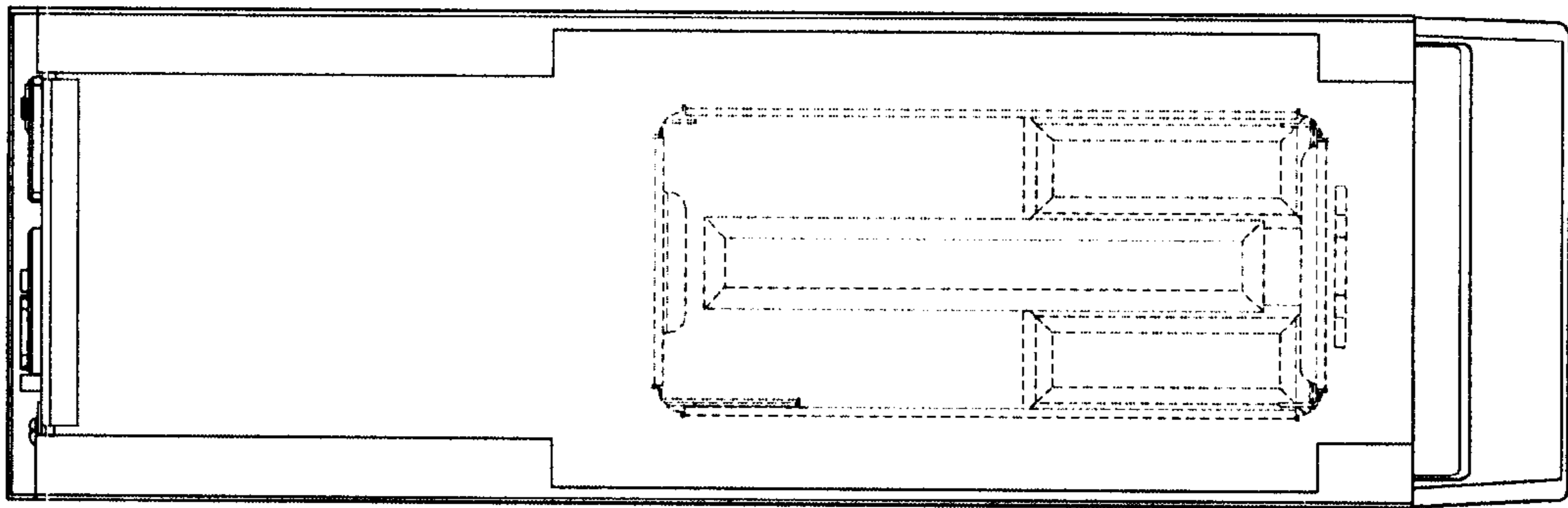


Fig. 6

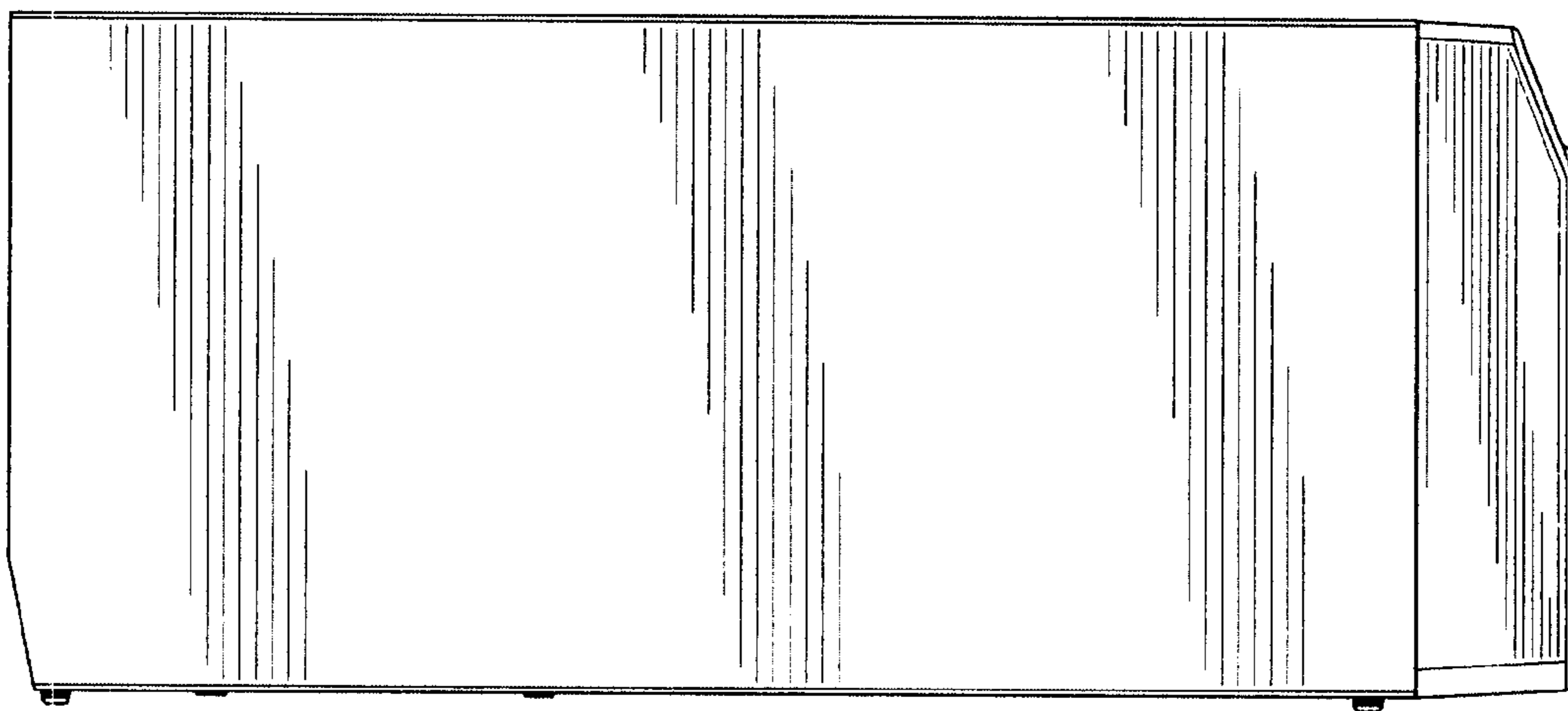


Fig. 7