

US00D541215S

(12) **United States Design Patent** (10) **Patent No.:** **US D541,215 S**  
**Vu** (45) **Date of Patent:** **\*\* Apr. 24, 2007**

(54) **COMBINATION HOLDER FOR AN ELECTRIC TOOTHBRUSH AND A CHARGER UNIT**

(75) Inventor: **Duy Phong Vu**, Frankfurt am Main (DE)

(73) Assignee: **The Gillette Company**, Boston, MA (US)

(\*\*) Term: **14 Years**

(21) Appl. No.: **29/241,588**

(22) Filed: **Oct. 28, 2005**

(30) **Foreign Application Priority Data**

Apr. 28, 2005 (DE) ..... 4 05 02 279

(51) **LOC (8) Cl.** ..... **13-02**

(52) **U.S. Cl.** ..... **D13/108**

(58) **Field of Classification Search** ..... D13/106-110, D13/118-119, 184; D14/251, 253, 432, 434; 320/107-115

See application file for complete search history.

(56) **References Cited**

**U.S. PATENT DOCUMENTS**

- D292,264 S \* 10/1987 Staufenberg et al. .... D8/380
- D334,170 S \* 3/1993 Rams et al. .... D13/108
- D358,801 S 5/1995 Vos
- D363,605 S 10/1995 Kou
- D414,180 S \* 9/1999 Waldner ..... D14/149
- D416,536 S \* 11/1999 Ross et al. .... D13/107
- D418,108 S \* 12/1999 Snider ..... D13/108

- D455,397 S \* 4/2002 Weiner et al. .... D13/108
- D470,136 S \* 2/2003 Chin ..... D14/253
- D486,787 S \* 2/2004 Krieger et al. .... D13/108
- D488,439 S \* 4/2004 Orthey ..... D13/107
- D506,437 S \* 6/2005 Nishizawa ..... D13/108
- D512,962 S \* 12/2005 Nishizawa ..... D13/108
- 2003/0085687 A1 \* 5/2003 Stratmann et al. .... 320/114
- 2003/0218445 A1 \* 11/2003 Behar ..... 320/114

**OTHER PUBLICATIONS**

U.S. Appl. No. 29/232,209, Dux Phong Vu.  
U.S. Appl. No. 29/241,587, Dux Phong Vu.

\* cited by examiner

*Primary Examiner*—Alan P. Douglas  
*Assistant Examiner*—Rosemary K. Tarcza  
(74) *Attorney, Agent, or Firm*—David Howley

(57) **CLAIM**

The ornamental design for a combination holder for an electric toothbrush and a charger unit, as shown and described.

**DESCRIPTION**

FIG. 1 is a perspective view of a combination holder for an electric toothbrush and a charger unit from the top, front and right side, showing my new design;  
FIG. 2 is a front view thereof;  
FIG. 3 is a right side view thereof, the left side view being a mirror image thereof;  
FIG. 4 is a rear view thereof;  
FIG. 5 is a top plan view thereof; and,  
FIG. 6 is a bottom plan view thereof.

**1 Claim, 5 Drawing Sheets**

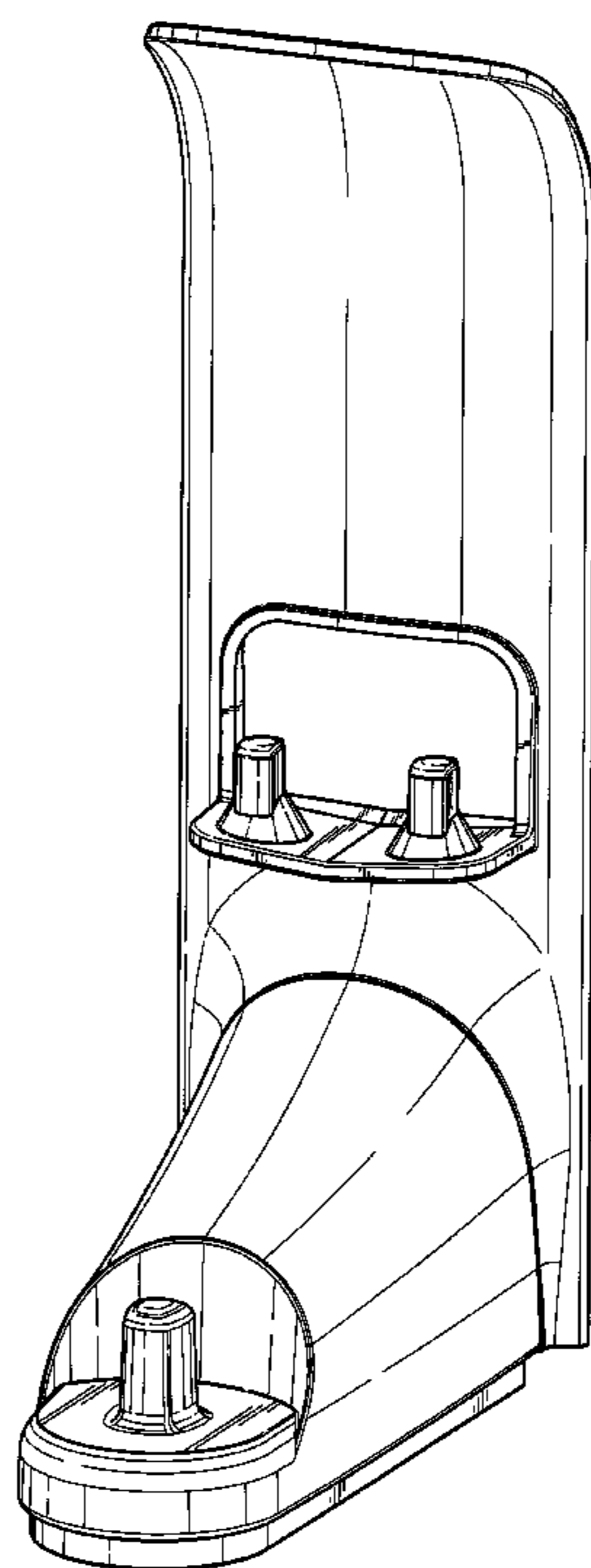


FIG. 1

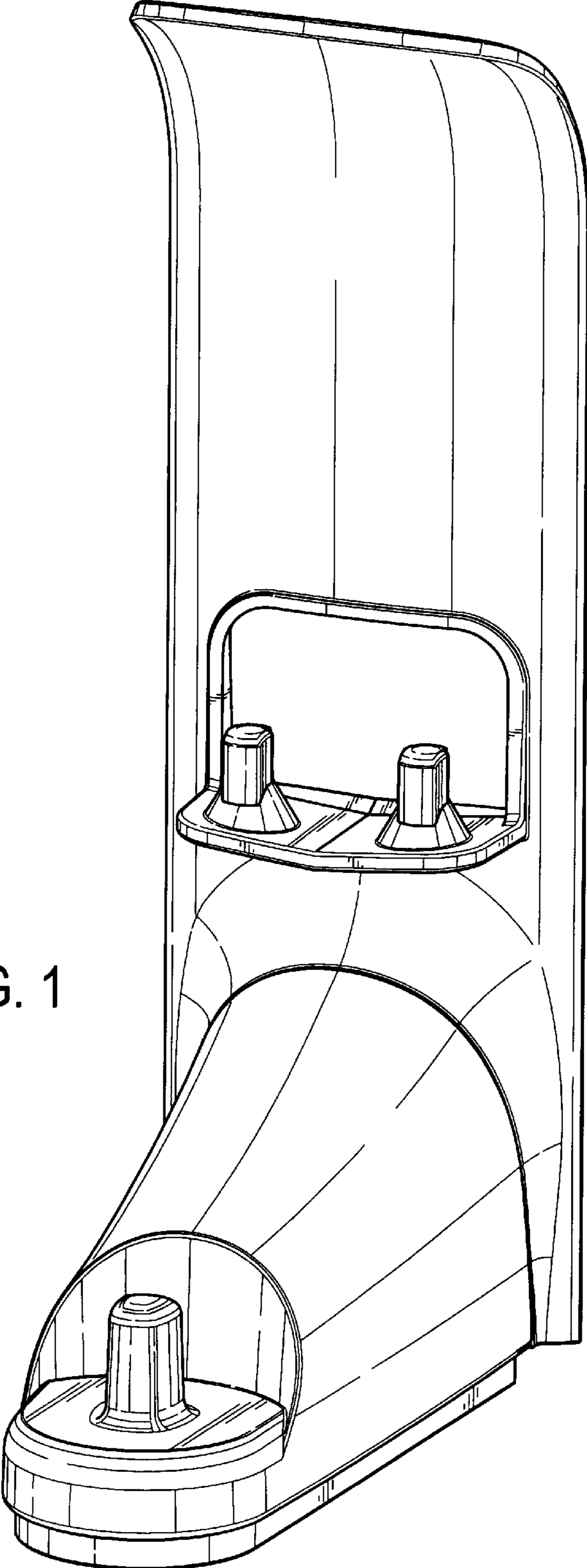
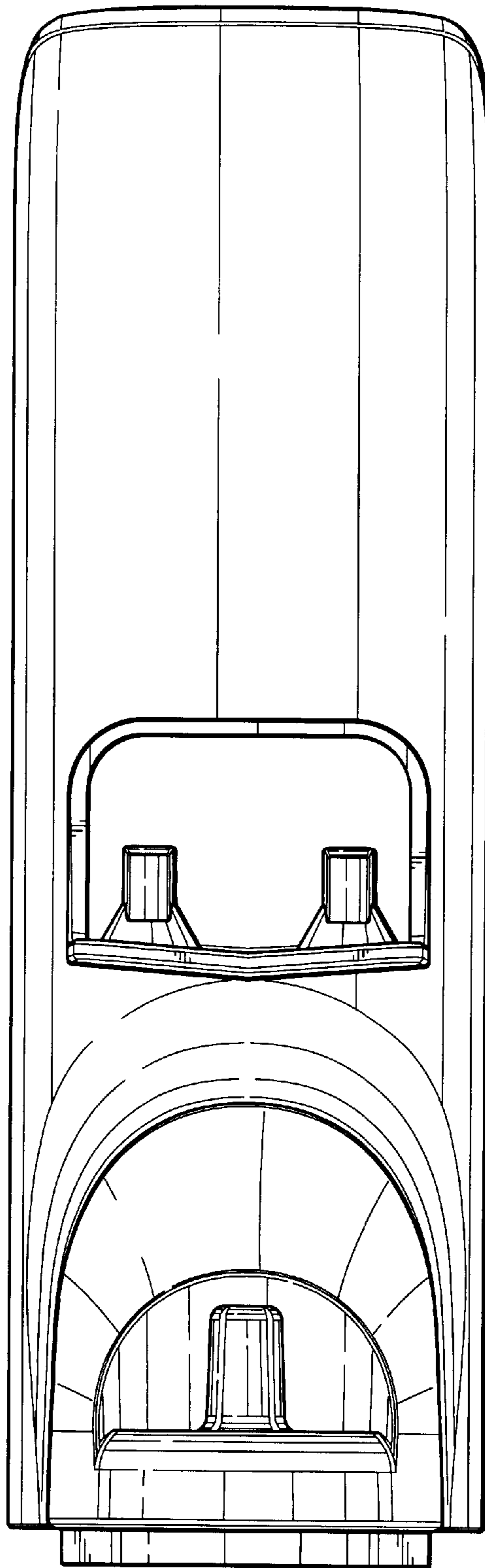


FIG. 2



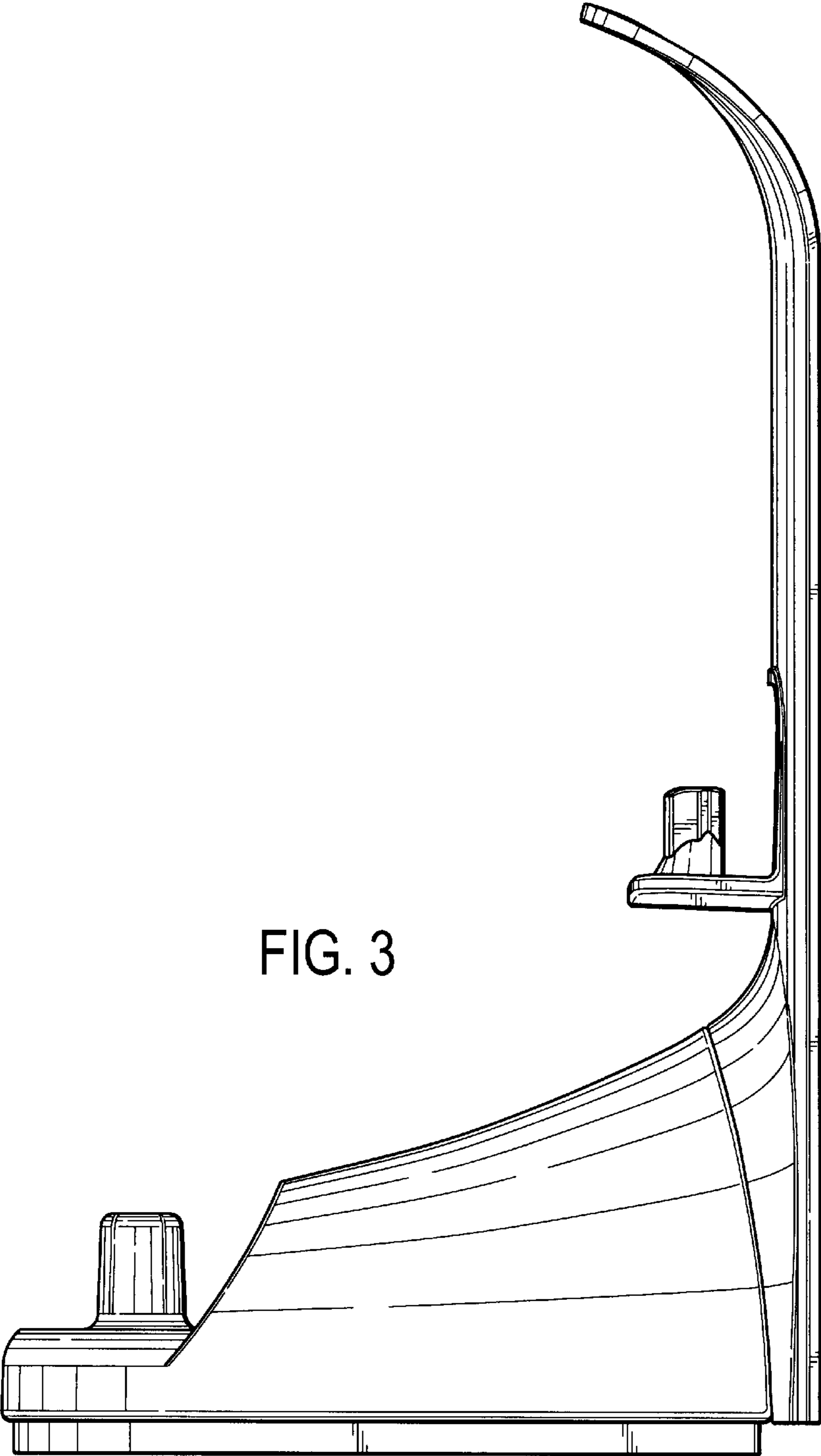


FIG. 3

FIG. 4

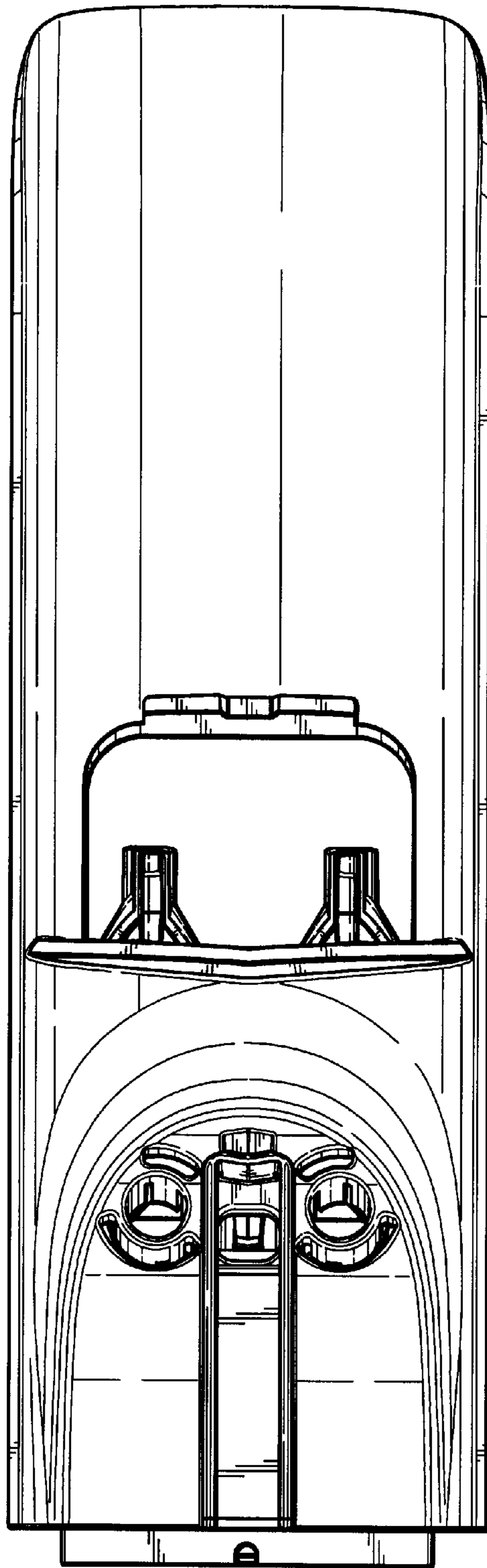


FIG. 5

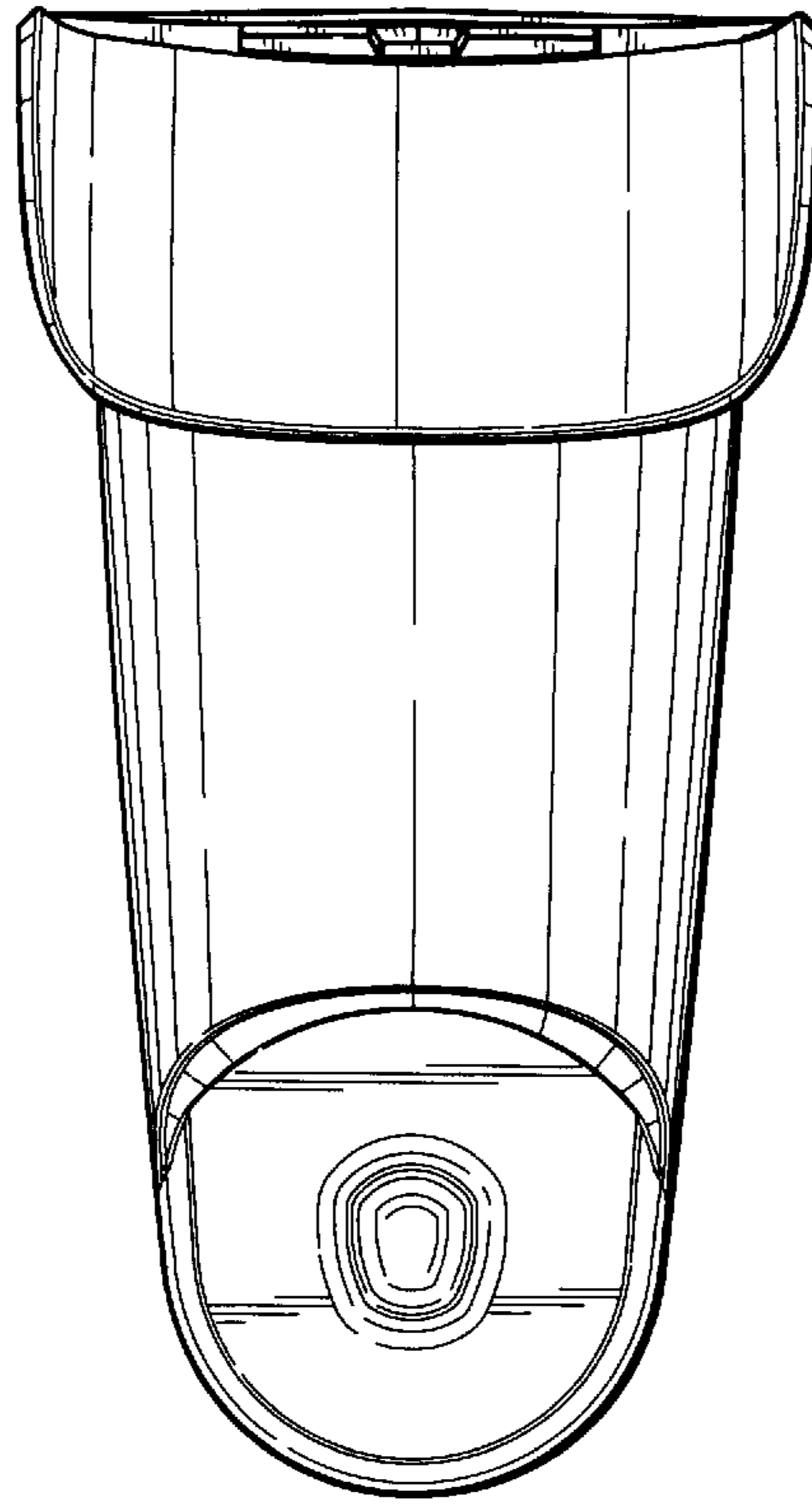


FIG. 6

