

US00D541213S

(12) **United States Design Patent**
Tang

(10) **Patent No.:** **US D541,213 S**
(45) **Date of Patent:** **** Apr. 24, 2007**

(54) **BATTERY PACK**
(75) Inventor: **Wing Sum Tang**, Hunghon (HK)
(73) Assignee: **Samson Bright Industrial Company Limited**, Kowloon (HK)
(**) Term: **14 Years**

5,709,963 A * 1/1998 Sim 429/99
D473,432 S * 4/2003 Tang et al. D7/679
D484,371 S * 12/2003 Tang et al. D7/679
D508,236 S * 8/2005 Duke et al. D13/184
D528,070 S * 9/2006 Tang D13/103
D528,503 S * 9/2006 Tang D13/103
D528,974 S * 9/2006 Tang D13/103

* cited by examiner

(21) Appl. No.: **29/259,784**
(22) Filed: **May 16, 2006**

Primary Examiner—Alan P. Douglas
Assistant Examiner—Rosemary K. Tarcza
(74) *Attorney, Agent, or Firm*—Merchant & Gould P.C.

(51) **LOC (8) Cl.** **13-02**
(52) **U.S. Cl.** **D13/103**
(58) **Field of Classification Search** D13/102–106,
D13/110, 118–119, 184; D7/679; 429/96–100,
429/163, 176
See application file for complete search history.

(57) **CLAIM**

The ornamental design for a battery pack, as shown and described.

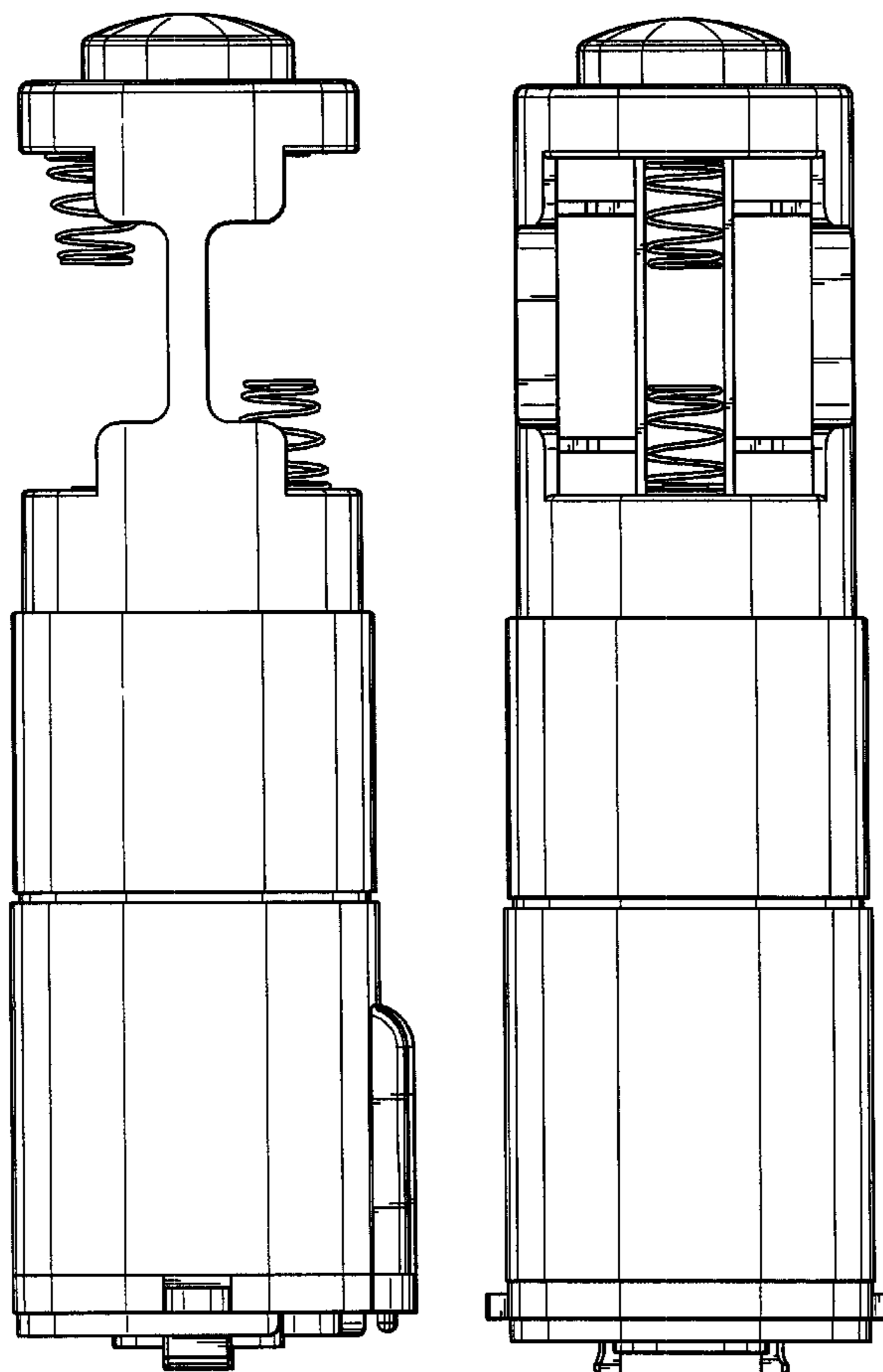
DESCRIPTION

FIG. 1 is a front view of a battery pack showing my new design;
FIG. 2 is a rear view thereof;
FIG. 3 is a left side view thereof;
FIG. 4 is a right side view thereof;
FIG. 5 is a top end view thereof; and,
FIG. 6 is a bottom end view thereof.

(56) **References Cited**
U.S. PATENT DOCUMENTS

D136,758 S * 11/1943 Casanov D13/119
2,876,273 A * 3/1959 Hall 429/100
2,951,107 A * 8/1960 Abrams 429/100
4,161,568 A * 7/1979 Lund 429/99
D361,980 S * 9/1995 Chen D13/119
D384,031 S * 9/1997 Lui D13/103

1 Claim, 3 Drawing Sheets



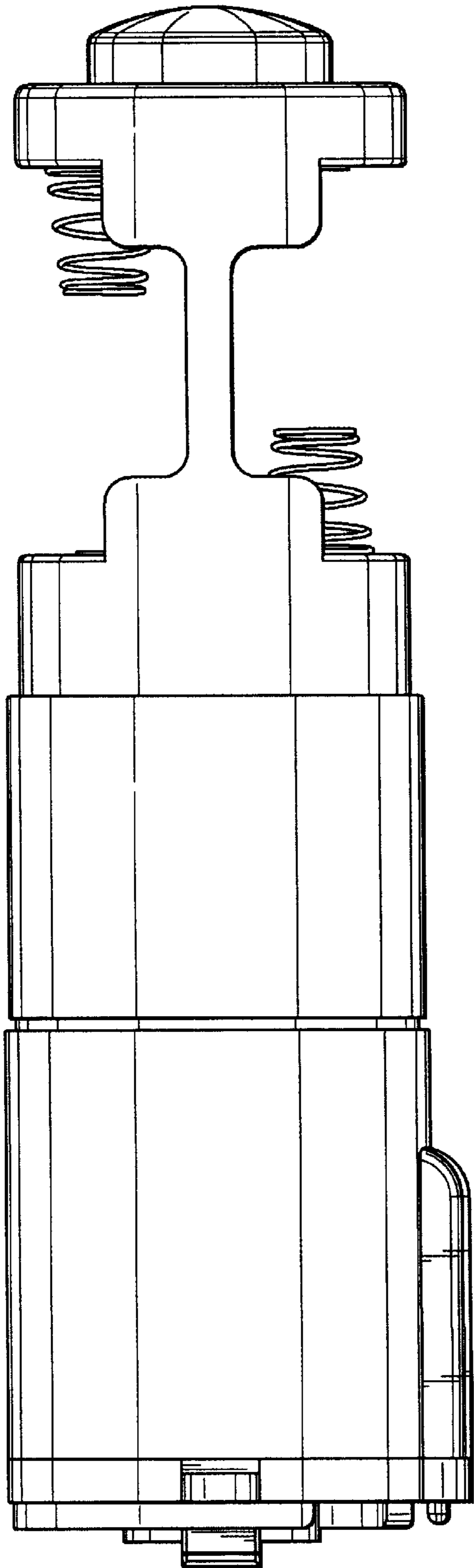


FIG. 1

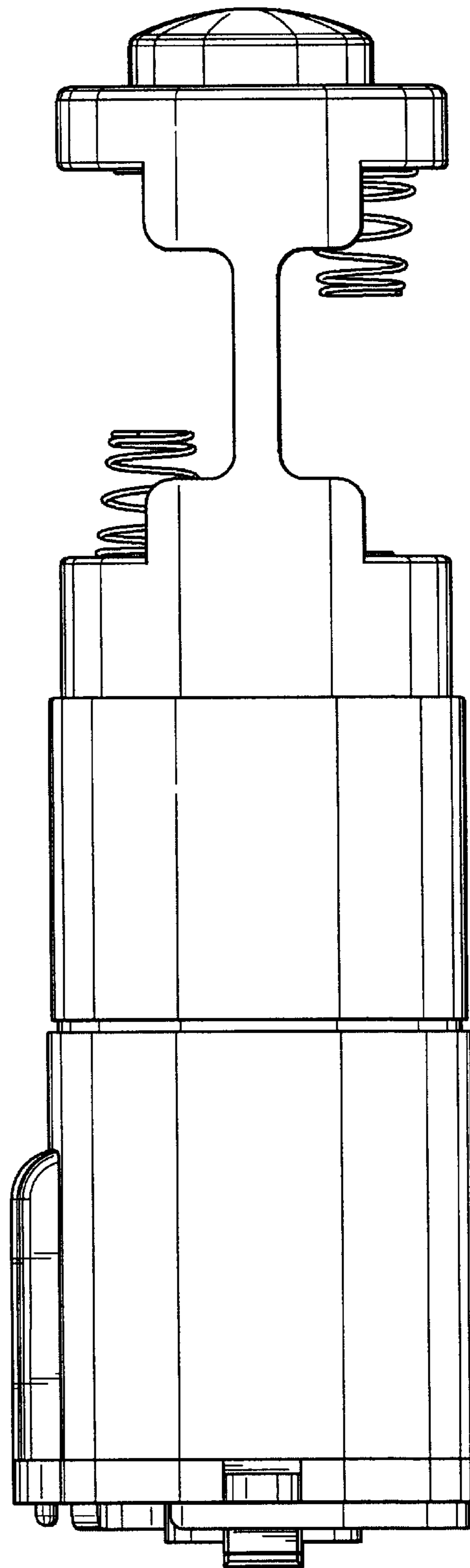


FIG. 2

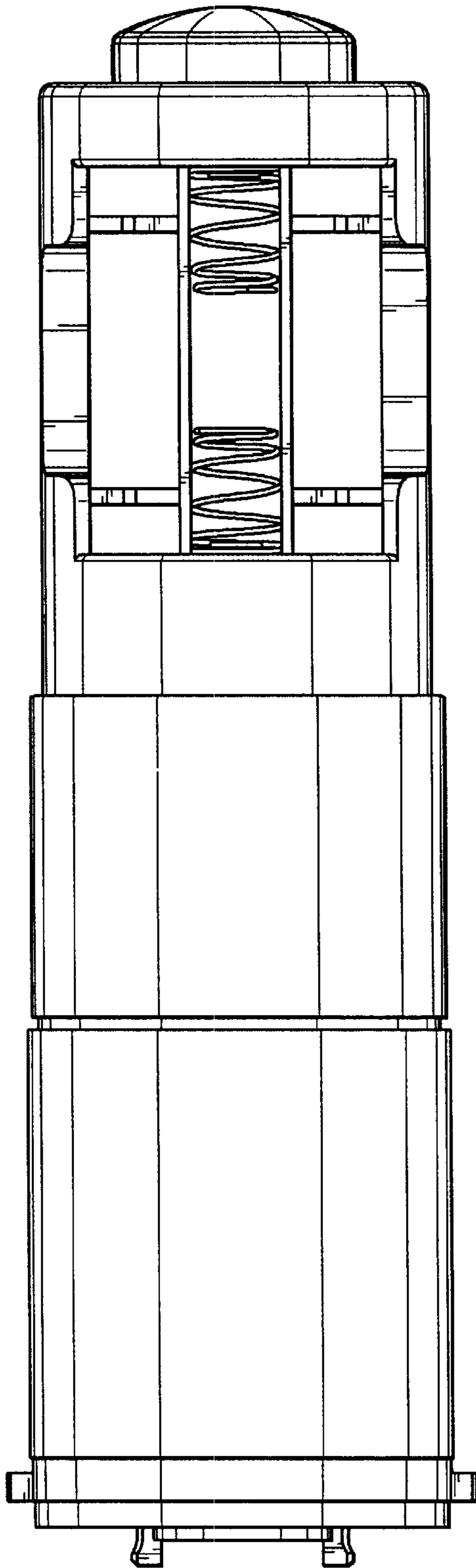


FIG. 3

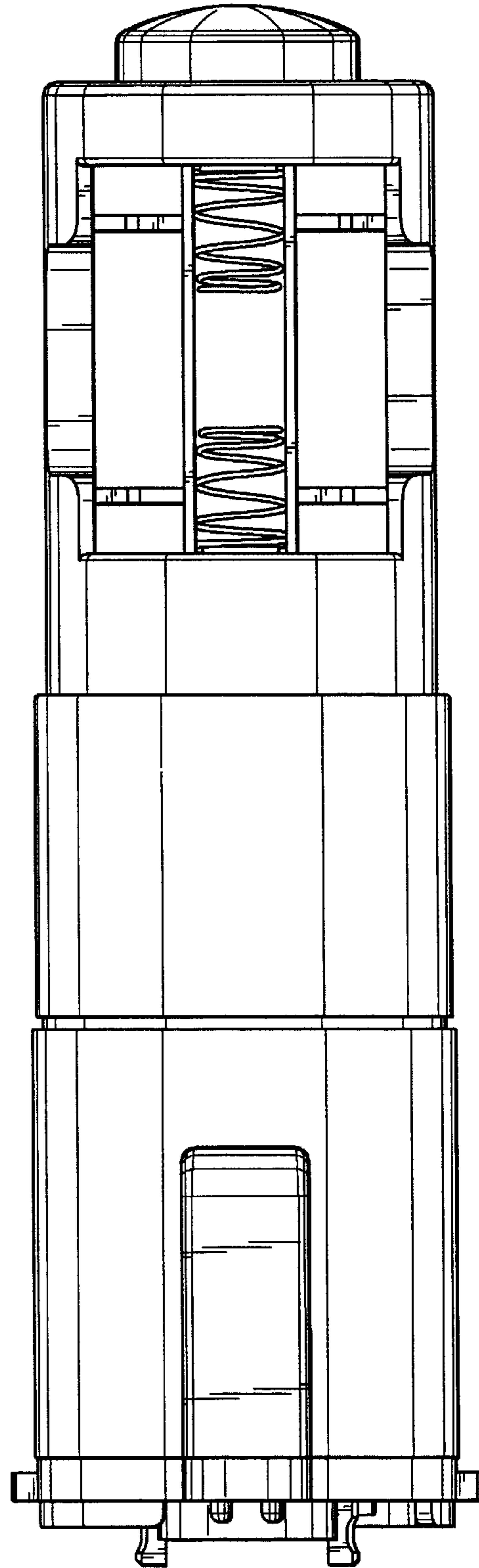


FIG. 4

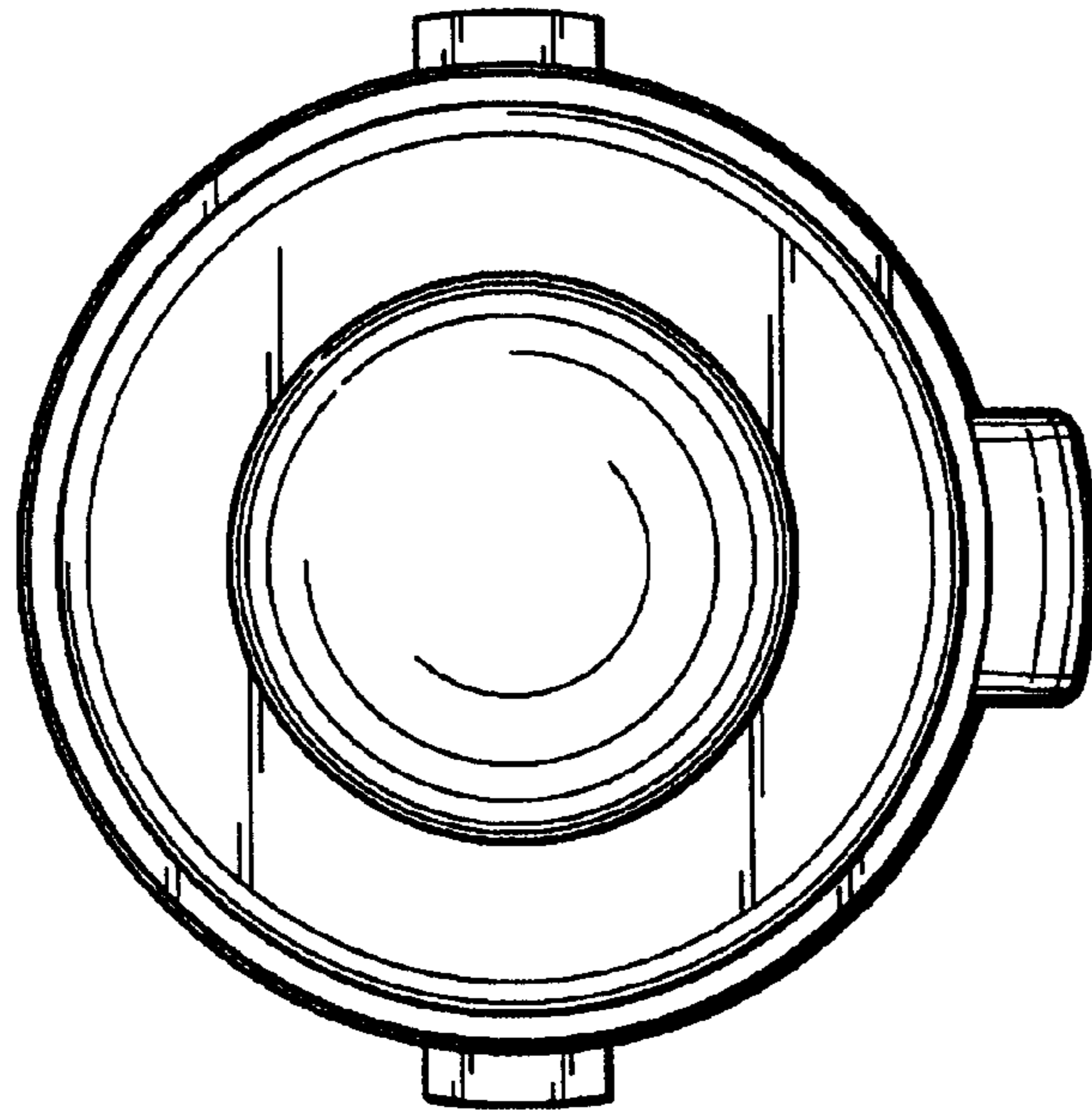


FIG. 5

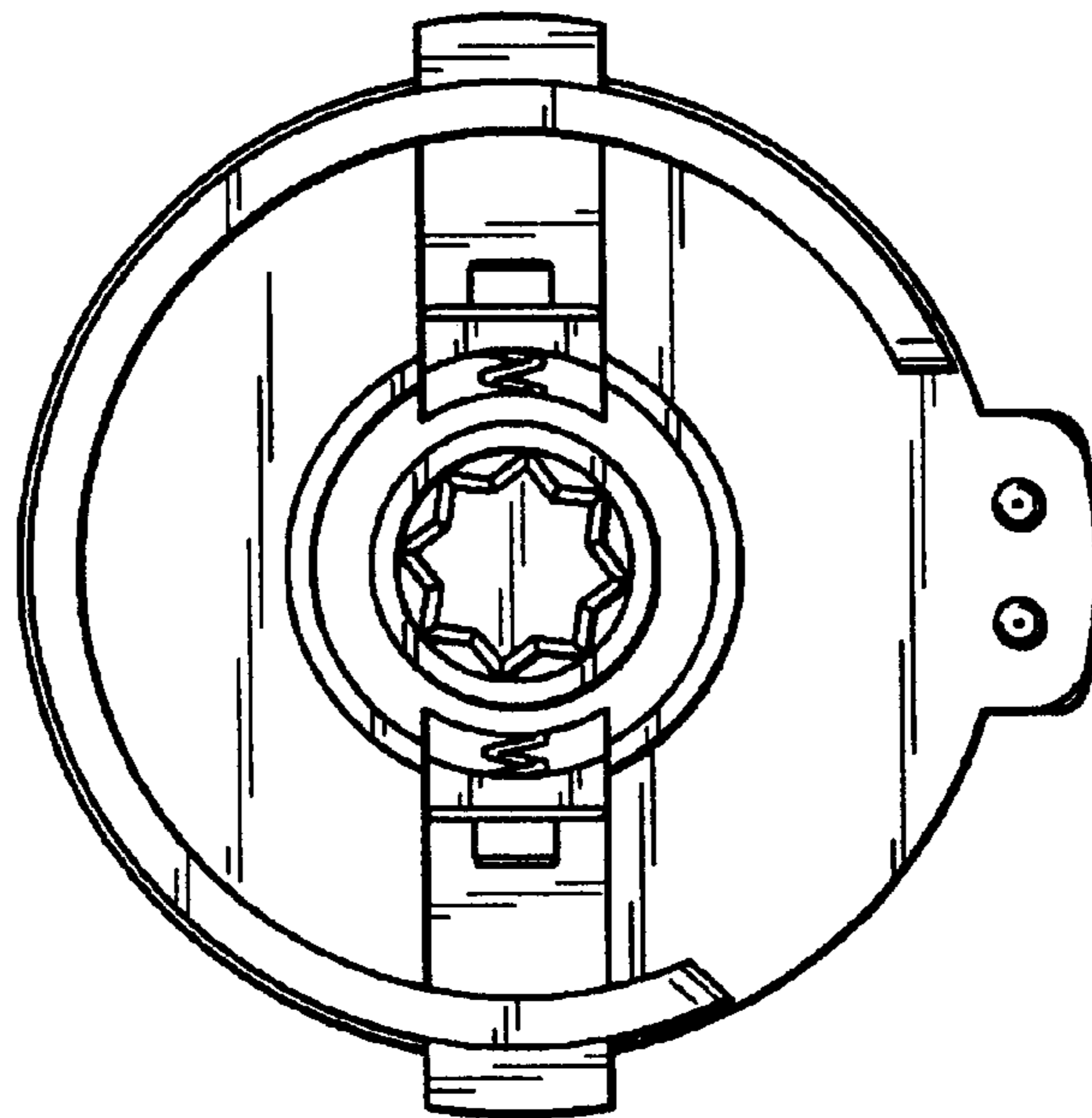


FIG. 6