

US00D541206S

(12) **United States Design Patent** (10) **Patent No.:** **US D541,206 S**
Brunner (45) **Date of Patent:** **** Apr. 24, 2007**

(54) **CIRCULAR WING FLYING SAUCER**
(75) Inventor: **Ashton Frank Brunner**, Bush, LA (US)
(73) Assignee: **Von Brunner & Franzella Patents Vault No. 1, L.L.C.**, New Orleans, LA (US)
(**) Term: **14 Years**

4,778,128 A 10/1988 Wright et al.
D317,335 S * 6/1991 Lovik D21/440
D346,626 S * 5/1994 St. Lawrence D21/443
5,591,062 A * 1/1997 Hettinger 446/46
D392,696 S 3/1998 Johnson
D394,040 S 5/1998 O'Neal et al.
D430,530 S 9/2000 Milde
D471,507 S * 3/2003 Brunner D12/325
D484,452 S * 12/2003 Brunner D12/325
7,096,826 B2 * 8/2006 Markham 119/707

* cited by examiner

(21) Appl. No.: **29/196,363**
(22) Filed: **Dec. 29, 2003**

Primary Examiner—Alan P. Douglas
Assistant Examiner—Maurice Stevens
(74) *Attorney, Agent, or Firm*—Garvey, Smith, Nehrbass & North, L.L.C.; Seth M. Nehrbass

Related U.S. Application Data

(62) Division of application No. 29/178,377, filed on Mar. 25, 2003, now Pat. No. Des. 487,048.
(51) **LOC (8) Cl.** **12-07**
(52) **U.S. Cl.** **D12/325**
(58) **Field of Classification Search** D12/325;
446/34, 46, 47; 244/12.2, 158.3, 171.6, 173.1,
244/169; D21/441, 443, 444
See application file for complete search history.

(57) **CLAIM**

The ornamental design for a circular wing flying saucer, as shown and described.

DESCRIPTION

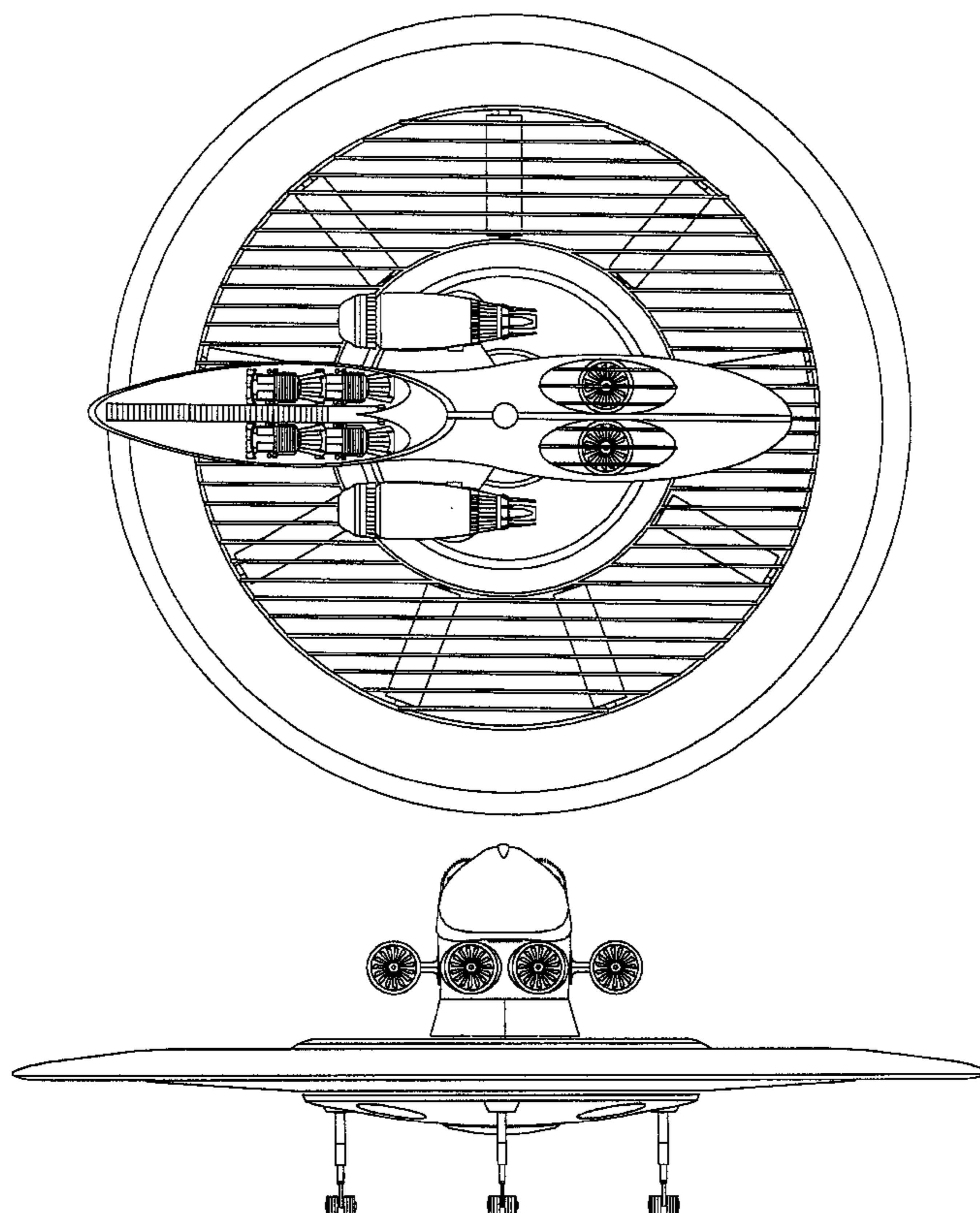
FIG. 1 is a top view of a circular wing flying saucer showing my new design;
FIG. 2 is a front view thereof;
FIG. 3 is a left side view thereof, the right side being a mirror image thereof;
FIG. 4 is a rear view thereof; and,
FIG. 5 is a bottom view thereof.

(56) **References Cited**

U.S. PATENT DOCUMENTS

D171,133 S * 12/1953 Jay D12/325
3,933,325 A 1/1976 Kaelin
4,773,618 A 9/1988 Ow

1 Claim, 5 Drawing Sheets



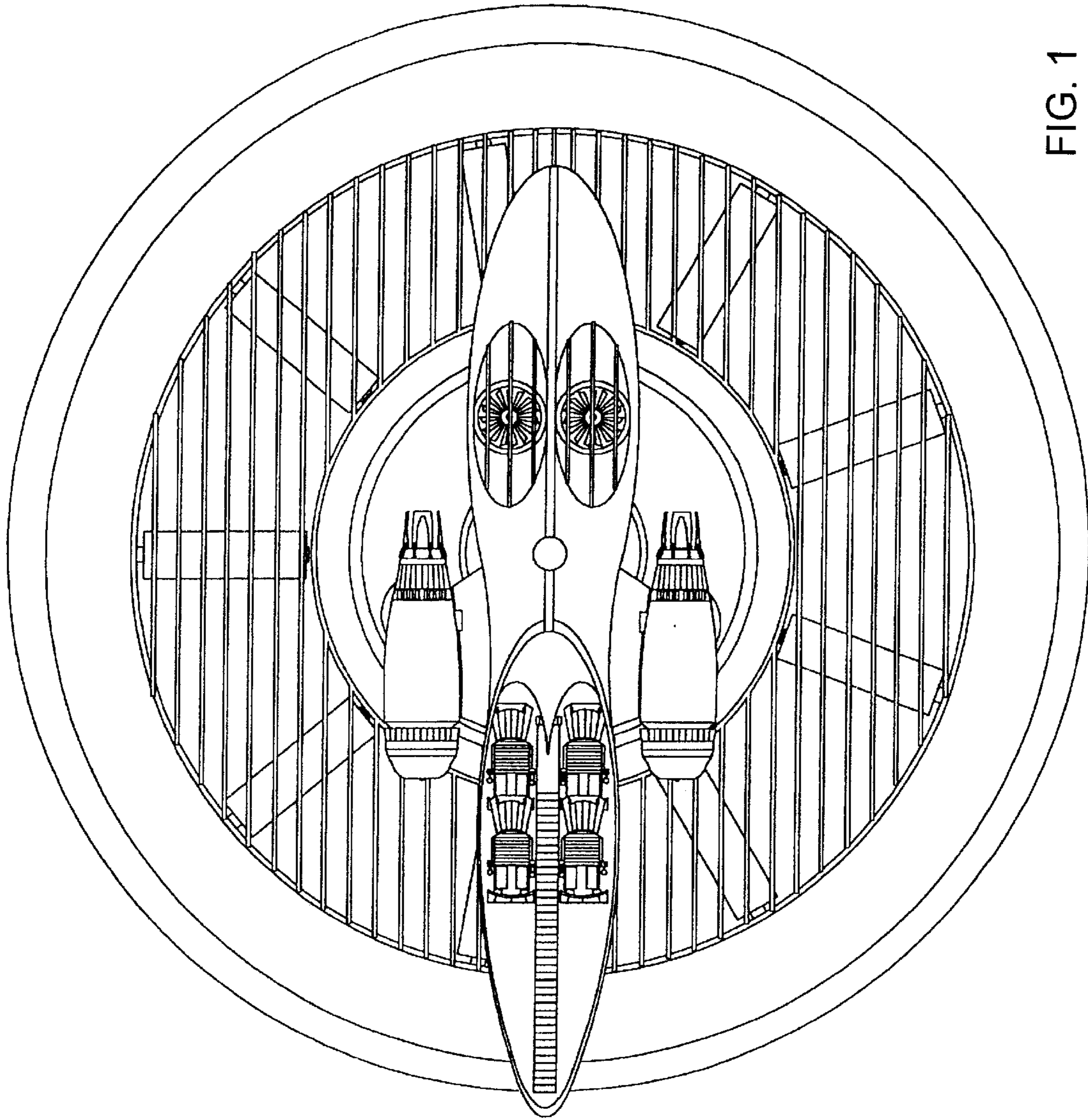


FIG. 1

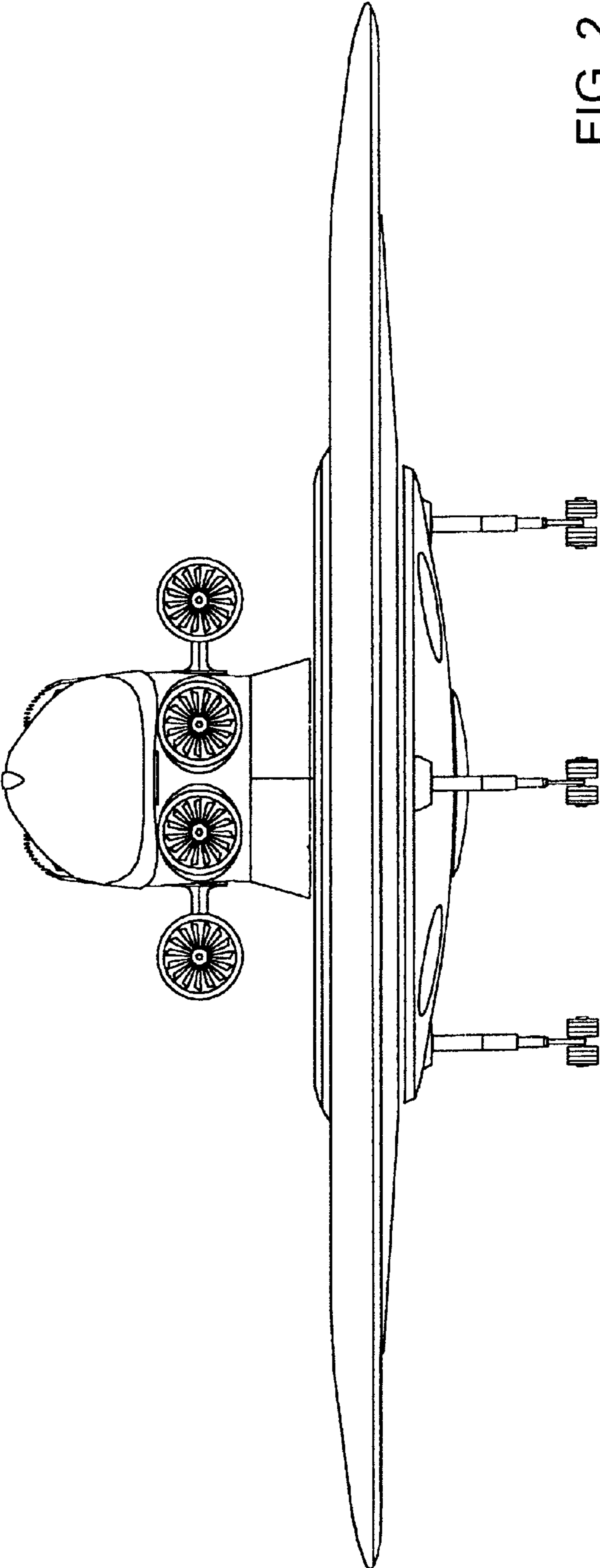


FIG. 2

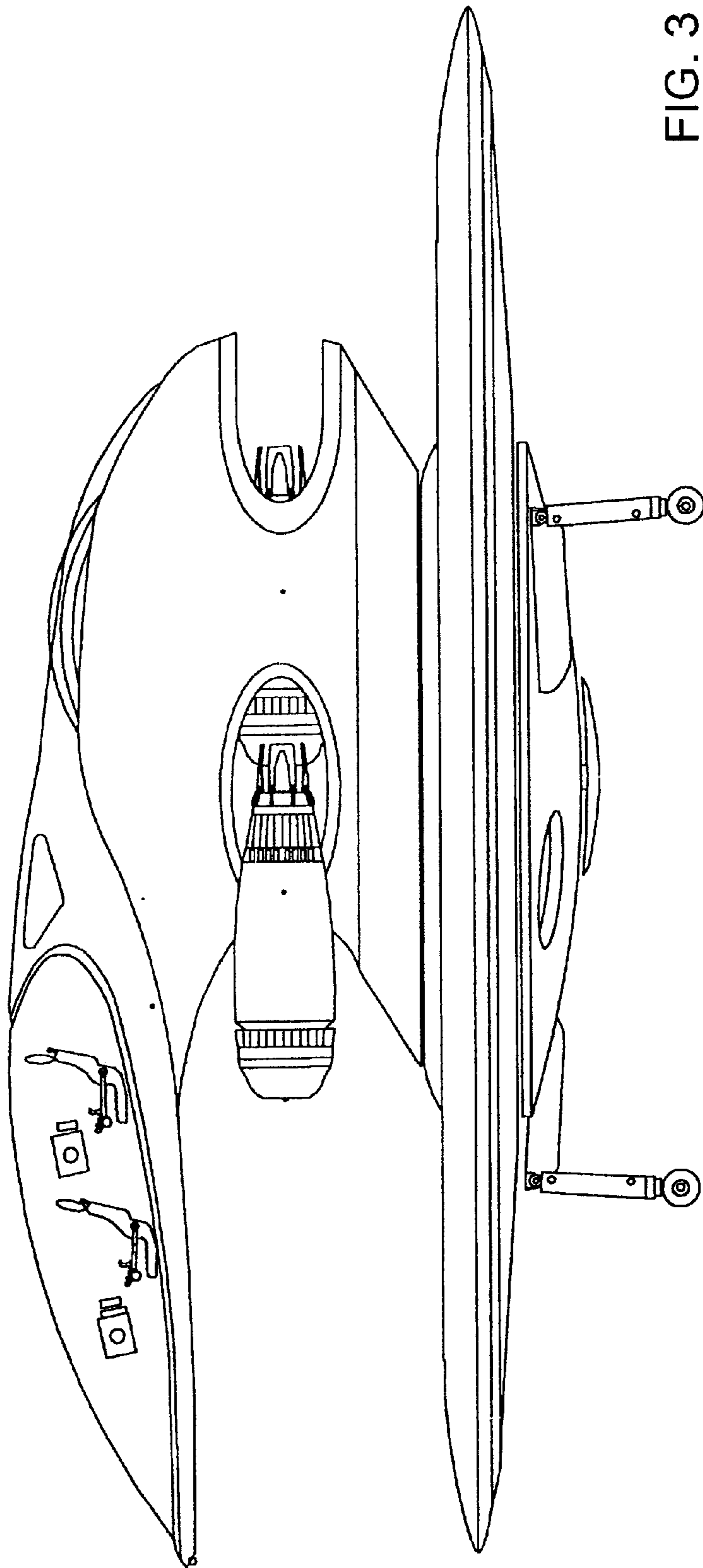


FIG. 3

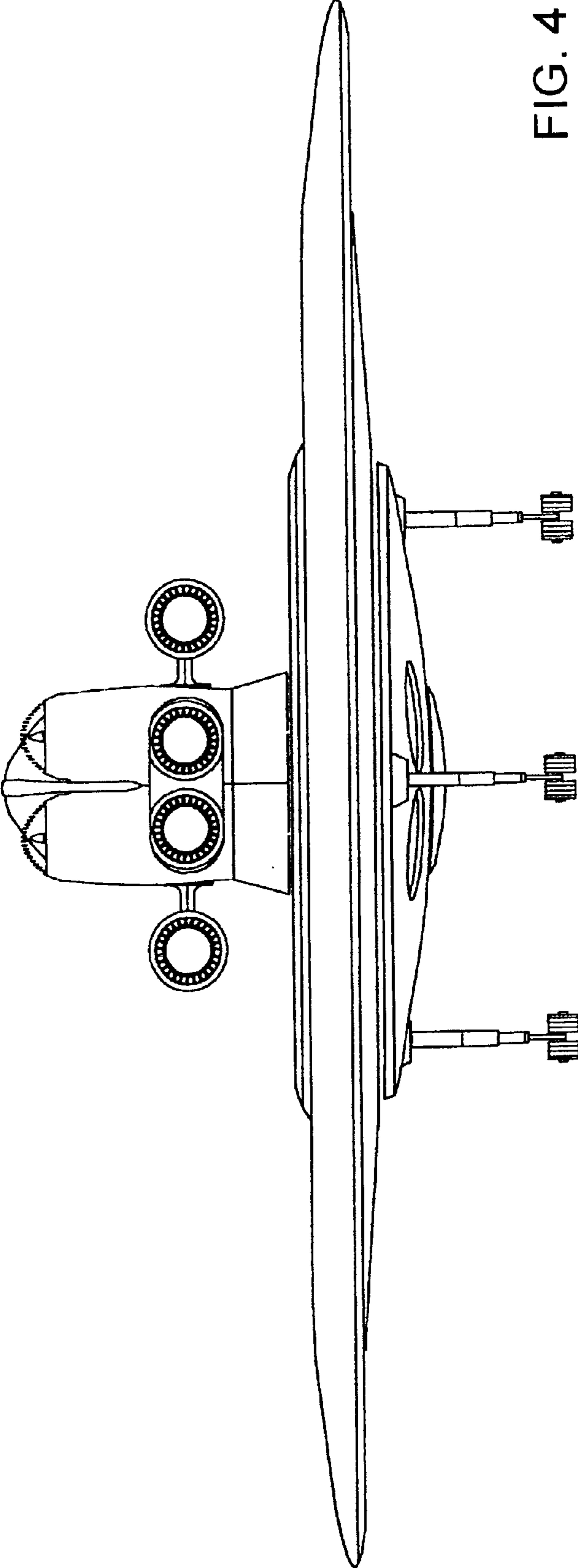


FIG. 4

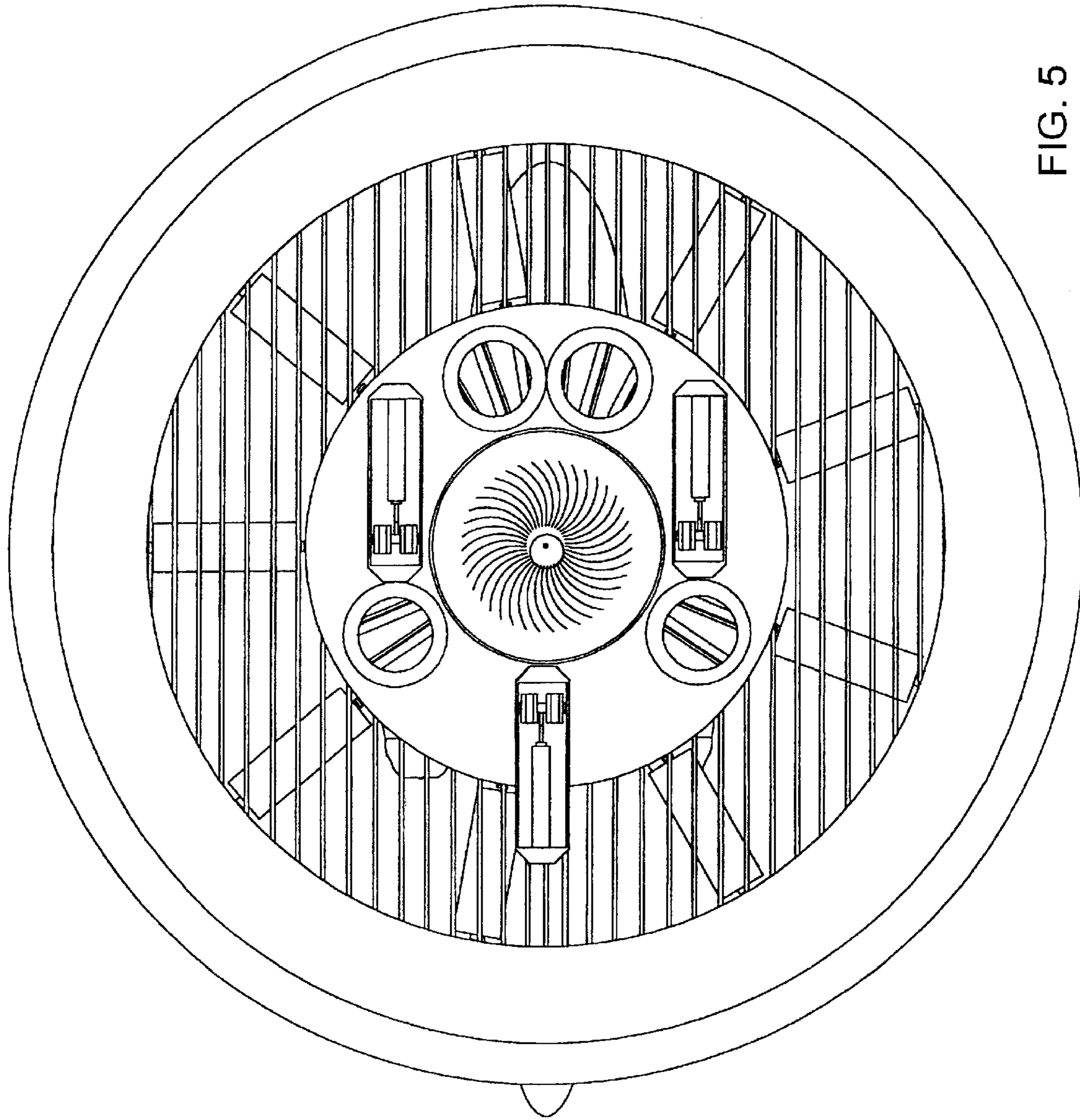


FIG. 5