



US00D541205S

(12) **United States Design Patent**
Plumer

(10) **Patent No.:** **US D541,205 S**

(45) **Date of Patent:** **** Apr. 24, 2007**

(54) **AUTOMOTIVE WHEEL**

(75) Inventor: **Mark J. Plumer**, Industry, CA (US)

(73) Assignee: **The Wheel Group**, Industry, CA (US)

(**) Term: **14 Years**

(21) Appl. No.: **29/267,829**

(22) Filed: **Oct. 21, 2006**

(51) **LOC (8) Cl.** **12-16**

(52) **U.S. Cl.** **D12/211**

(58) **Field of Classification Search** D12/204-213;
301/37.101, 64.101, 65

See application file for complete search history.

(56) **References Cited**

U.S. PATENT DOCUMENTS

- D446,493 S * 8/2001 Sulahian et al. D12/211
- D470,449 S * 2/2003 Bernoni D12/211
- D473,837 S * 4/2003 Vian D12/211

D498,195 S * 11/2004 Guevara D12/211

D498,725 S * 11/2004 Suci D12/211

D509,783 S * 9/2005 Fitzgerald D12/211

D512,949 S * 12/2005 Ettensberger D12/211

D518,766 S * 4/2006 Burns D12/211

D524,219 S * 7/2006 Scheu D12/211

* cited by examiner

Primary Examiner—Stacia Cadmus

(57) **CLAIM**

The ornamental design for an automotive wheel, as shown and described.

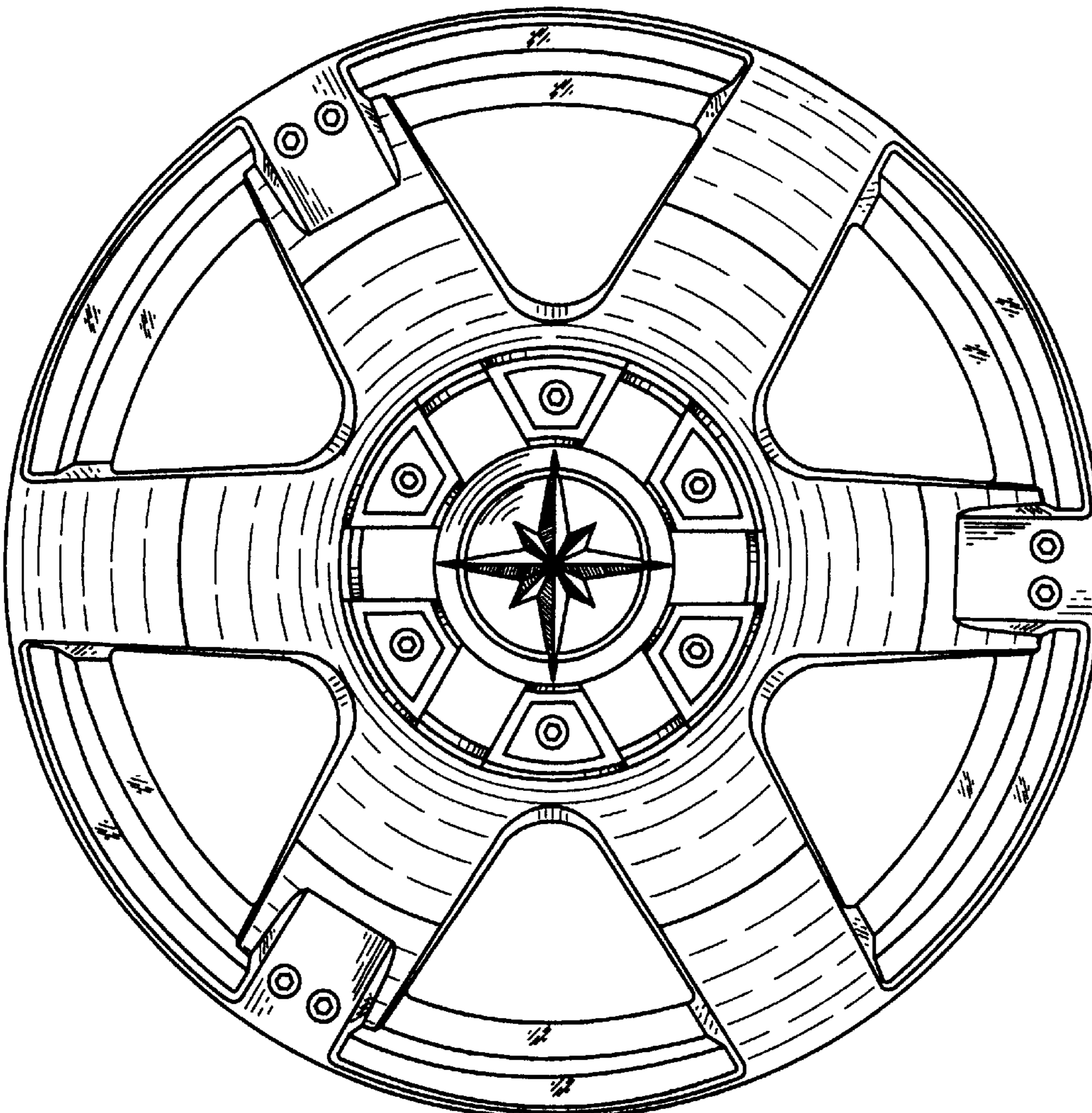
DESCRIPTION

FIG. 1 is a perspective view of an automotive wheel showing my new design; and,

FIG. 2 is a front elevational view of an automotive wheel showing the design herein described.

The broken lines showing the environment are for illustrative purposes only, and form no part of the claimed design.

1 Claim, 2 Drawing Sheets



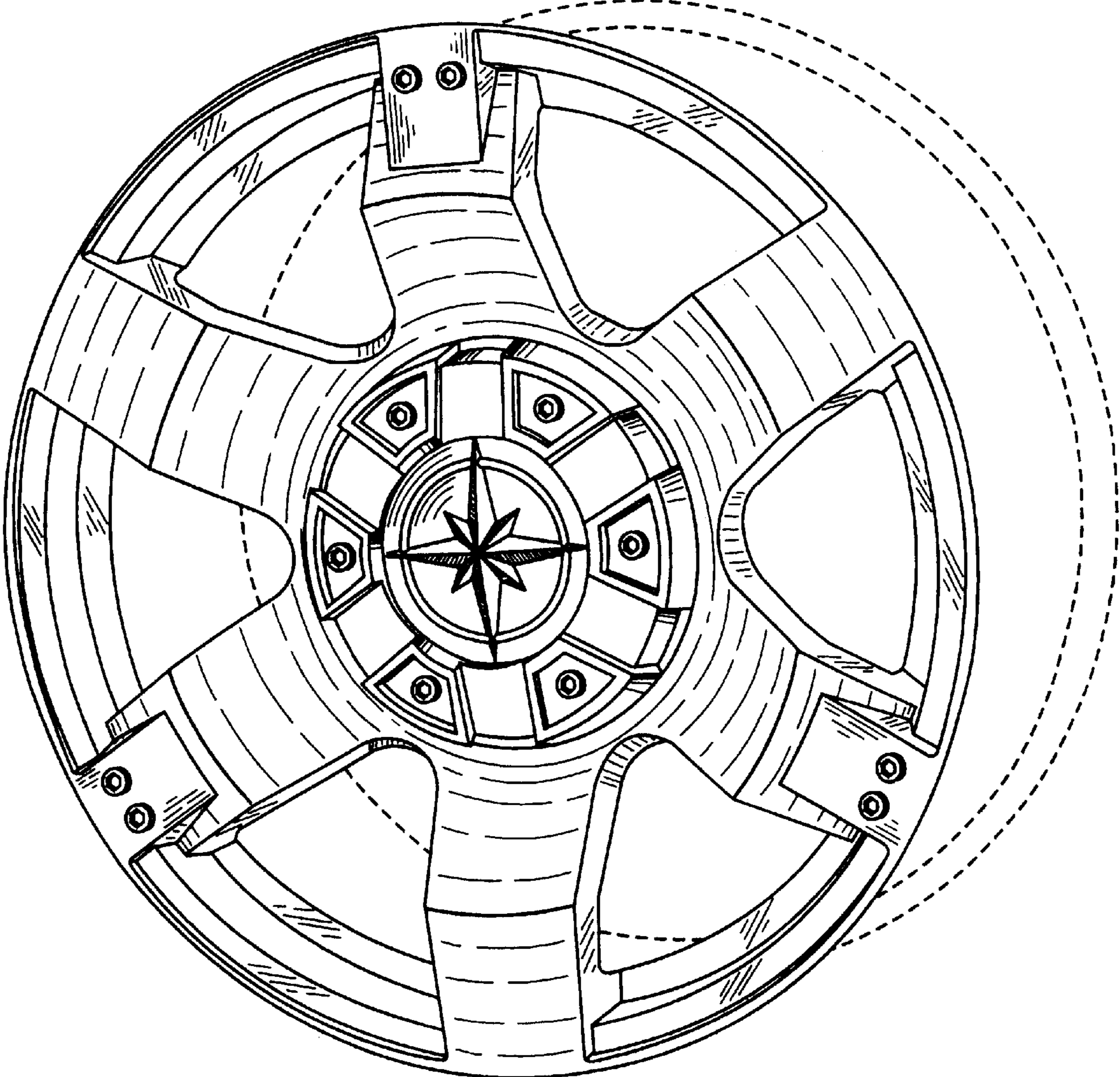


Fig. 1

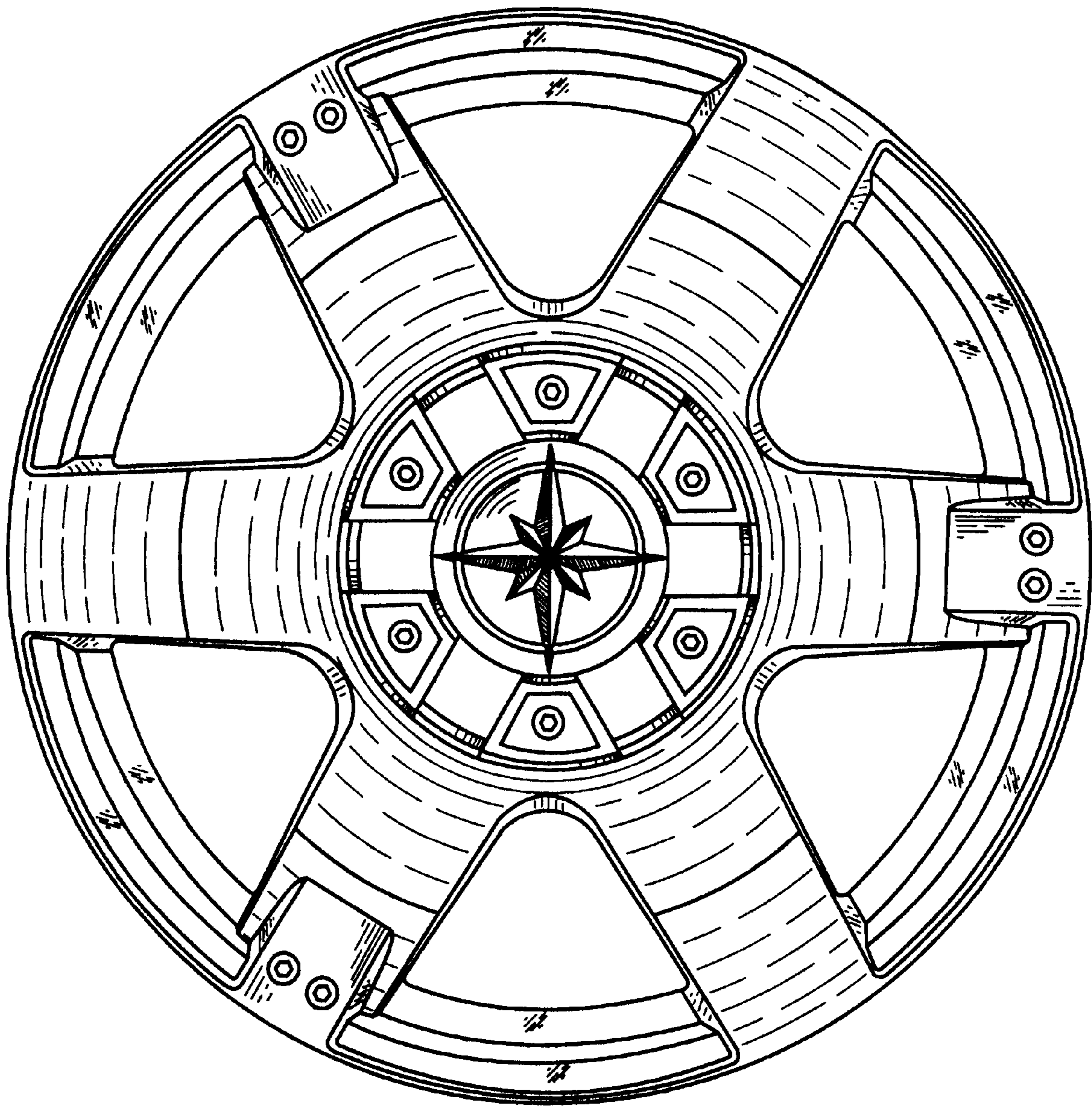


Fig. 2