

US00D541203S

(12) **United States Design Patent** (10) **Patent No.:** **US D541,203 S**  
**Sulahian** (45) **Date of Patent:** **\*\* Apr. 24, 2007**

(54) **PORTION OF A FRONT FACE OF A VEHICLE WHEEL**

D478,542 S 8/2003 Sulahian  
D479,172 S 9/2003 Sulahian  
D479,178 S 9/2003 Lai  
D481,984 S 11/2003 Sulahian  
D482,309 S 11/2003 Sulahian  
D482,996 S 12/2003 Sulahian

(76) Inventor: **Diko Sulahian**, 12717 Ann St., Santa Fe Springs, CA (US) 90670

(\*\*) Term: **14 Years**

(Continued)

(21) Appl. No.: **29/241,801**

**OTHER PUBLICATIONS**

(22) Filed: **Nov. 2, 2005**

**Related U.S. Application Data**

(63) Continuation of application No. 29/207,605, filed on Jun. 17, 2004, now Pat. No. Des. 516,987, which is a continuation of application No. 29/192,205, filed on Oct. 22, 2003, now Pat. No. Des. 493,764.

U.S. Appl. No. 29/192,204, filed Oct. 2003, Sulahian.  
U.S. Appl. No. 29/192,205, filed Oct. 2003, Sulahian.  
U.S. Appl. No. 29/192,237, filed Oct. 2003, Sulahian.  
U.S. Appl. No. 29/207,605, filed Jun. 2004, Sulahian.  
Page from website of wtwwcorp.com showing 6-Oval Wheel Rim, date unknown but believed to be available more than one year prior to Oct. 22, 2003.

(51) **LOC (8) Cl.** ..... **12-16**

*Primary Examiner*—Stacia Cadmus

(52) **U.S. Cl.** ..... **D12/211**

(74) *Attorney, Agent, or Firm*—Nixon & Vanderhye P.C.

(58) **Field of Classification Search** ..... D12/204–213;  
301/37.101, 64.101, 65

(57) **CLAIM**

See application file for complete search history.

The ornamental design for a portion of a front face of a vehicle wheel, as shown and described.

(56) **References Cited**

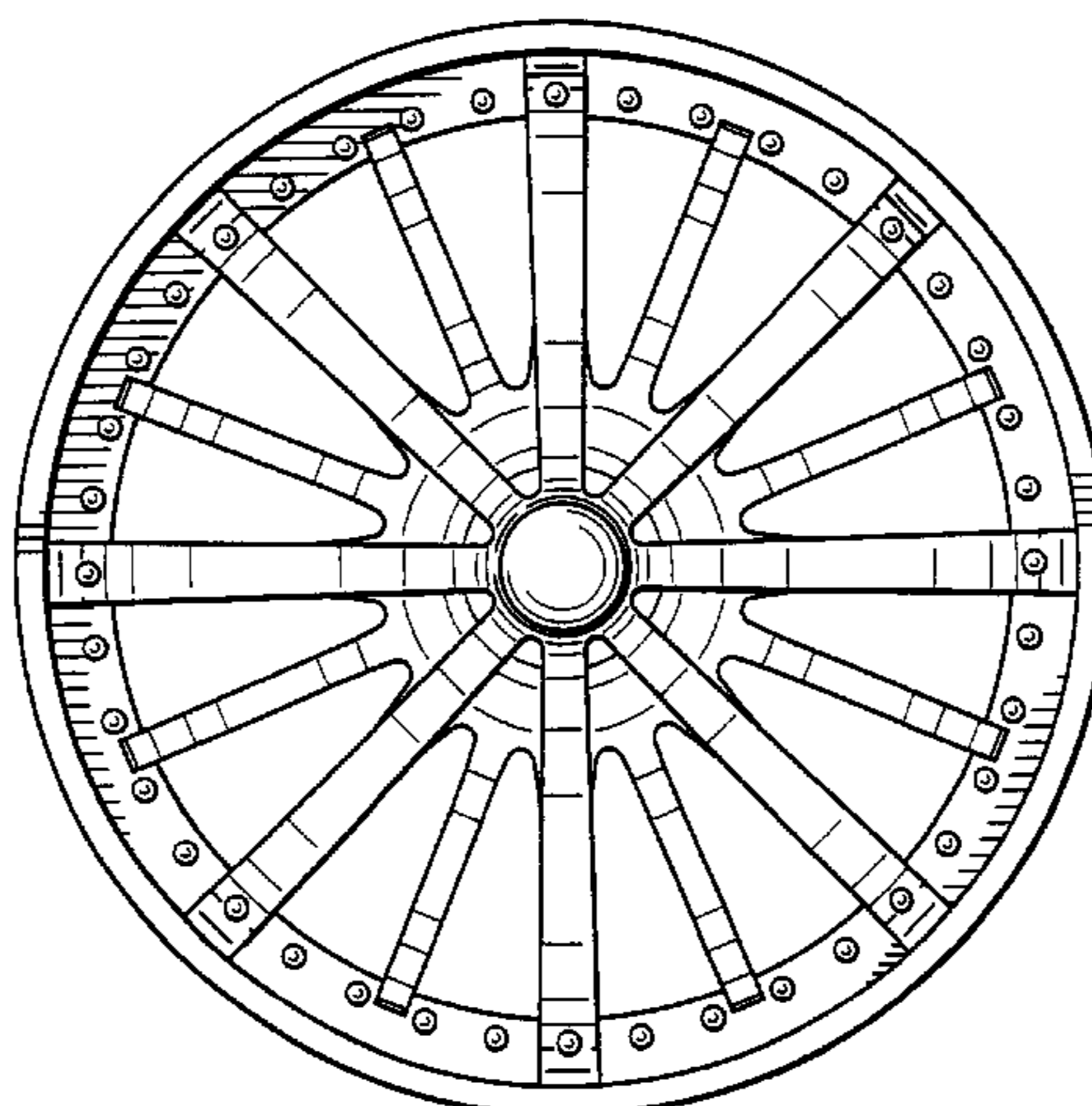
**DESCRIPTION**

**U.S. PATENT DOCUMENTS**

- D396,681 S 8/1998 Boyer
- D402,951 S 12/1998 Wechner
- D407,055 S 3/1999 Kelly
- D414,454 S 9/1999 Chung
- D415,094 S 10/1999 Neeper
- D416,533 S 11/1999 Sulahian
- D421,953 S 3/2000 Sims et al.
- D432,071 S 10/2000 Brown
- D437,278 S 2/2001 Sulahian
- D446,180 S 8/2001 Sulahian et al.
- D446,493 S 8/2001 Sulahian et al.
- D450,649 S 11/2001 Penzes
- D451,067 S 11/2001 Frizzi
- D466,851 S 12/2002 Pfeiffer et al.
- D466,854 S 12/2002 Kern
- D471,504 S 3/2003 Laengerer
- D473,836 S 4/2003 Laengerer
- D477,558 S 7/2003 Brintouch
- D478,540 S 8/2003 Sulahian
- D478,541 S 8/2003 Sulahian

FIG. 1 is a portion of a front view of a wheel showing my new design;  
FIG. 2 is a portion of a bottom and front side perspective view of the wheel shown in FIG. 1; and,  
FIG. 3 is a portion of a different left and front side perspective view of the wheel shown in FIG. 1.  
Throughout the various figures of the drawings, certain views are not provided. The omission of a particular view is intended to convey that the element(s) depicted is/are plain and unornamented in that omitted view, or that the particular ornamental appearance in that view is simply not claimed. Where included, broken lines showing environment or structure are for illustrative purposes only and form no part of the claimed design.  
Where included, dotted lines represent the border between claimed and unclaimed subject matter and form no part of the claimed design.

**1 Claim, 3 Drawing Sheets**



# US D541,203 S

Page 2

---

U.S. PATENT DOCUMENTS				D516,987 S * 3/2006 Sulahian .....	D12/211
D493,764 S	8/2004	Sulahian		D522,954 S * 6/2006 Hueller .....	D12/211
D512,011 S	* 11/2005	Tirado .....	D12/213		
D516,489 S	* 3/2006	Alonso .....	D12/211	* cited by examiner	

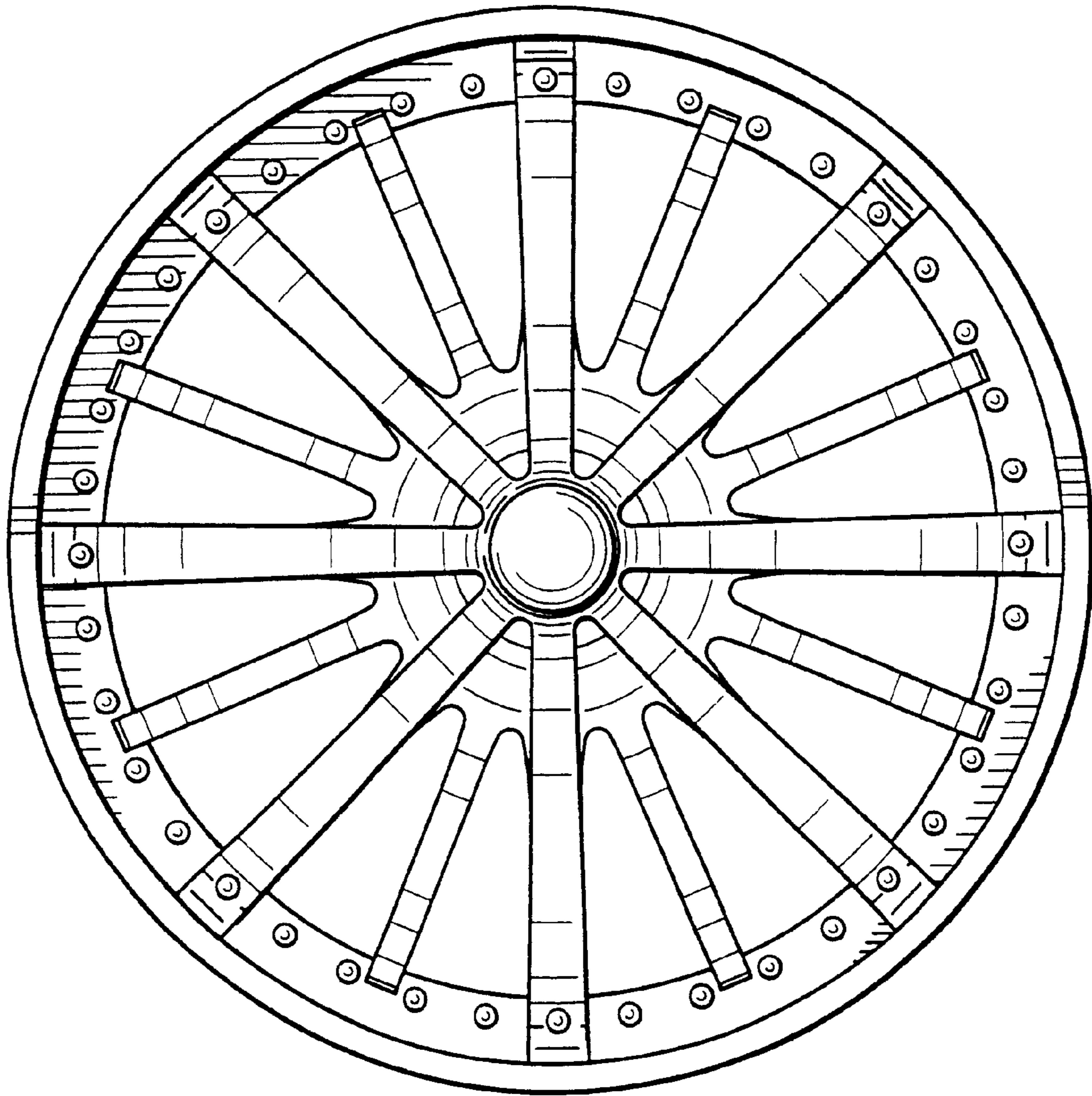


Fig. 1

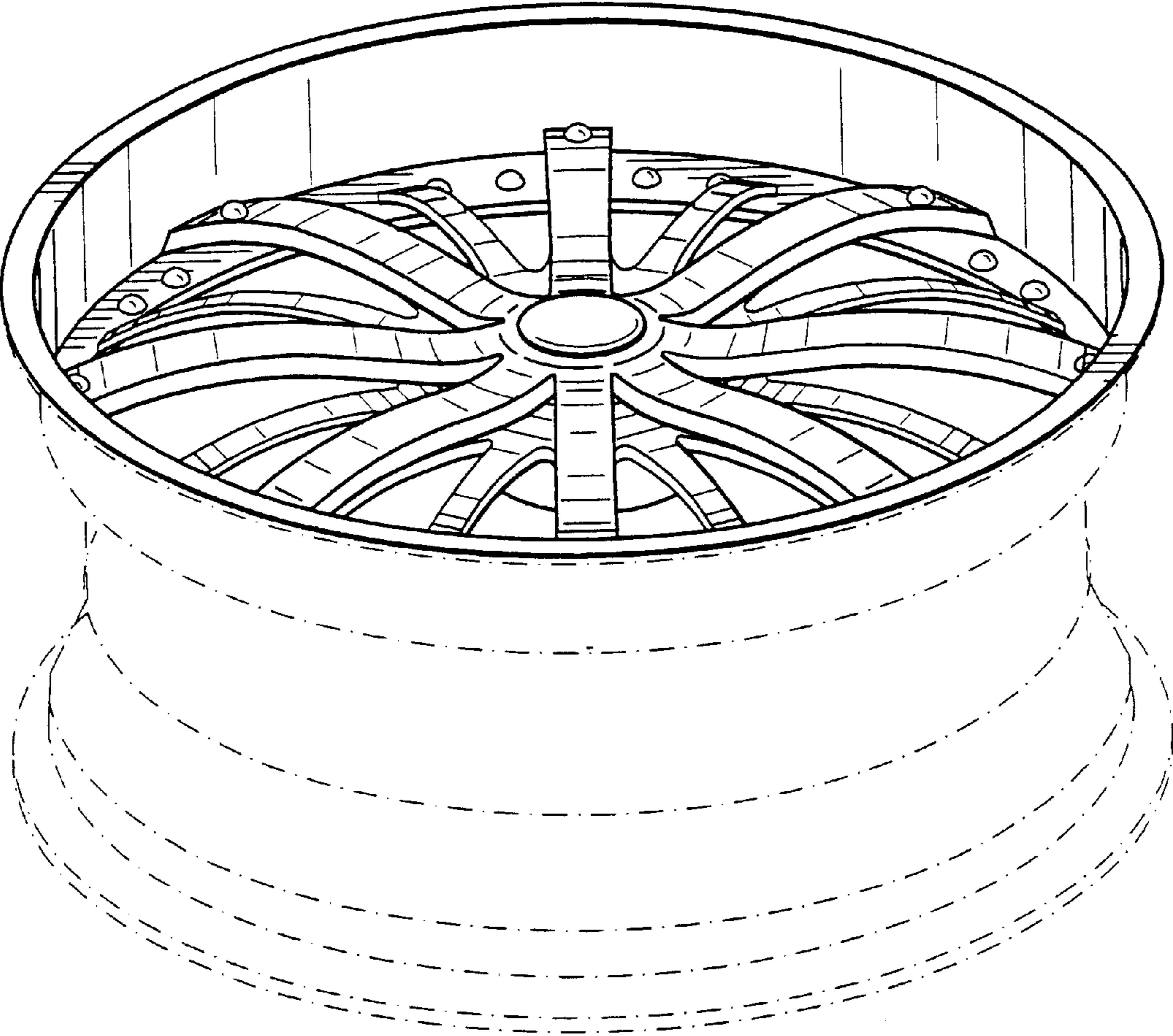


Fig. 2

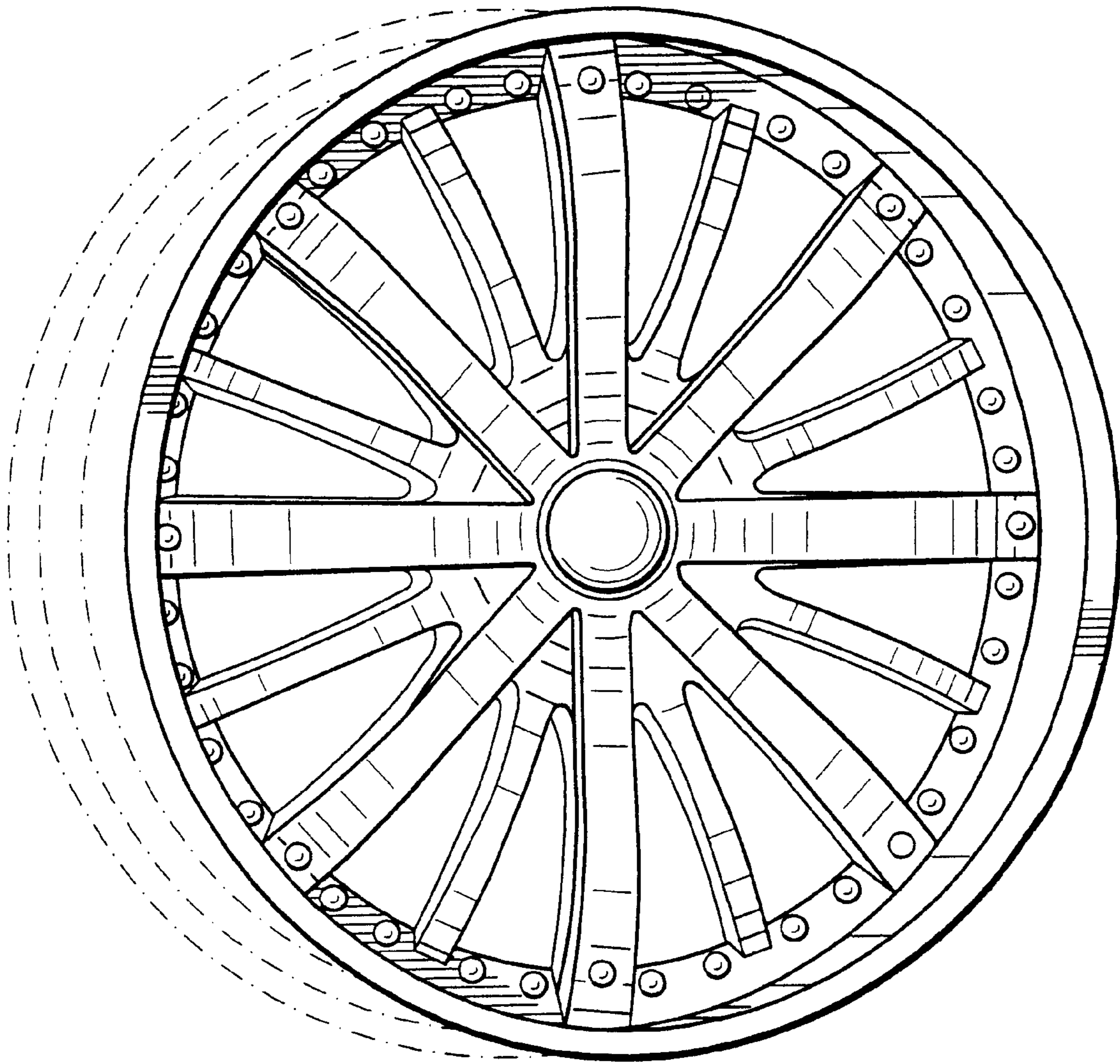


Fig. 3

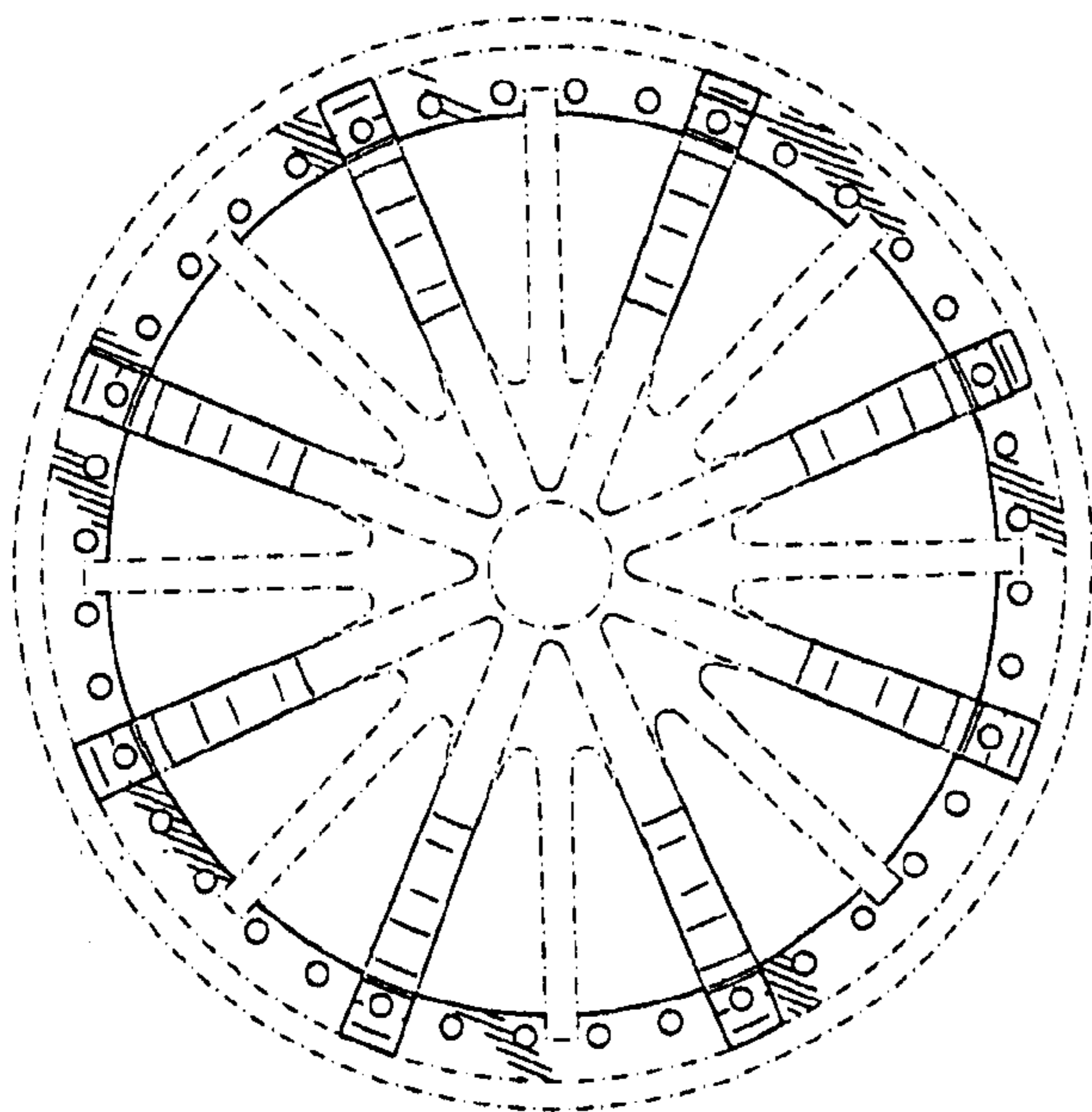
UNITED STATES PATENT AND TRADEMARK OFFICE  
**CERTIFICATE OF CORRECTION**

PATENT NO. : Des. 541,203 S  
APPLICATION NO. : 29/241801  
DATED : April 24, 2007  
INVENTOR(S) : Sulahian

Page 1 of 5

It is certified that error appears in the above-identified patent and that said Letters Patent is hereby corrected as shown below:

The figure shown at the bottom of the Title page of the patent should be replaced with the figure shown below and the complete set of drawings of the patent should be replaced with the attached Replacement Figures 1-3:



Signed and Sealed this

Fifteenth Day of July, 2008

Handwritten signature of Jon W. Dudas

JON W. DUDAS

*Director of the United States Patent and Trademark Office*

**(12) United States Design Patent**  
**Sulahian**

**(10) Patent No.:** US D541,203 S

**(45) Date of Patent:** \*\* Apr. 24, 2007

**(54) PORTION OF A FRONT FACE OF A VEHICLE WHEEL**

D478,542 S 8/2003 Sulahian  
 D479,172 S 9/2003 Sulahian  
 D479,178 S 9/2003 Lai  
 D481,984 S 11/2003 Sulahian  
 D482,300 S 11/2003 Sulahian  
 D482,996 S 12/2003 Sulahian

**(70) Inventor:** Biko Sulahian, 12717 Ann St., Santa Fe Springs, CA (US) 90670

**(\*\*) Term:** 14 Years

(Continued)

**(21) Appl. No.:** 29/241,801

**OTHER PUBLICATIONS**

**(22) Filed:** Nov. 2, 2005

U.S. Appl. No. 29/192,204, filed Oct. 2003, Sulahian.  
 U.S. Appl. No. 29/192,205, filed Oct. 2003, Sulahian.  
 U.S. Appl. No. 29/192,237, filed Oct. 2003, Sulahian.  
 U.S. Appl. No. 29/207,605, filed Jan. 2004, Sulahian.  
 Page from website of wtccorp.com showing 6-Oval Wheel Rim, date unknown but believed to be available more than one year prior to Oct. 22, 2003.

**Related U.S. Application Data**

**(63) Continuation of application No. 29/207,605, filed on Jun. 17, 2004, now Pat. No. Des. 515,987, which is a continuation of application No. 29/192,205, filed on Oct. 22, 2003, now Pat. No. Des. 493,764.**

*Primary Examiner*—Stacia Cichaus

**(51) LOC (8) CL** ..... 12-16

**(74) Attorney, Agent, or Firm**—Nixon & Vanderhye P.C.

**(52) U.S. CL** ..... D12/211

**(58) Field of Classification Search** ..... D12/204-213;  
 301/37.101, 64.101, 65

**(57) CLAIM**

See application file for complete search history.

The ornamental design for a portion of a front face of a vehicle wheel, as shown and described.

**(56) References Cited**

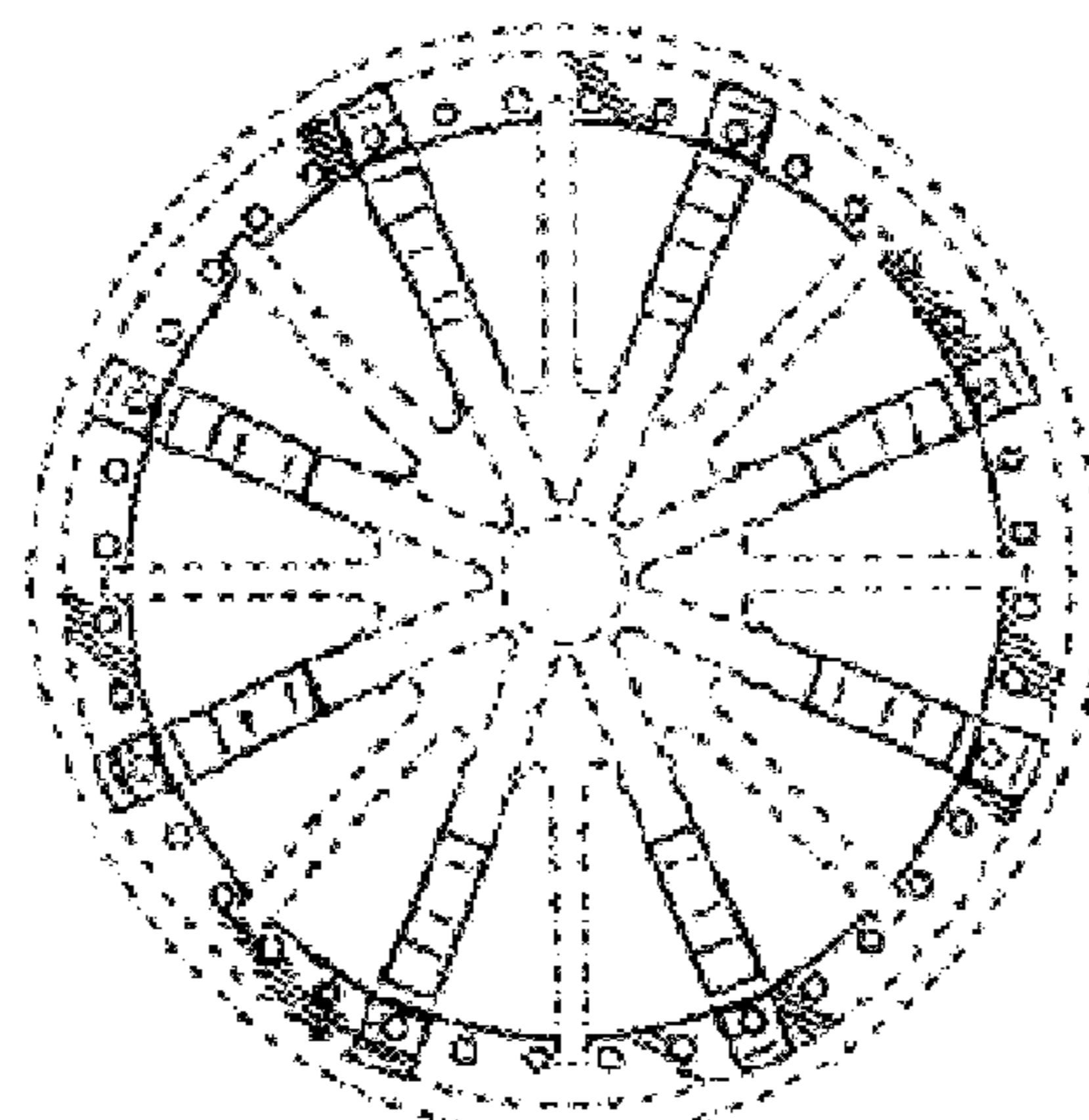
**DESCRIPTION**

**U.S. PATENT DOCUMENTS**

D396,681 S	8/1998	Boyer
D402,951 S	12/1998	Wehner
D407,855 S	1/1999	Kelly
D414,454 S	9/1999	Chung
D415,094 S	10/1999	Neeper
D416,533 S	11/1999	Sulahian
D421,953 S	3/2000	Sims et al.
D432,071 S	10/2000	Brown
D437,278 S	2/2001	Sulahian
D446,180 S	8/2001	Sulahian et al.
D446,493 S	8/2001	Sulahian et al.
D450,649 S	11/2001	Ponzer
D451,067 S	11/2001	Fiezi
D466,851 S	12/2002	Pfeiffer et al.
D466,854 S	12/2002	Kern
D471,504 S	3/2003	Lacinger
D473,836 S	4/2003	Lacinger
D477,558 S	7/2003	Hintonch
D478,540 S	8/2003	Sulahian
D478,541 S	8/2003	Sulahian

FIG. 1 is a portion of a front view of a wheel showing my new design;  
 FIG. 2 is a portion of a bottom and front side perspective view of the wheel shown in FIG. 1; and,  
 FIG. 3 is a portion of a different left and front side perspective view of the wheel shown in FIG. 1.  
 Throughout the various figures of the drawings, certain views are not provided. The omission of a particular view is intended to convey that the element(s) depicted is/are plain and unornamented in that omitted view, or that the particular ornamental appearance in that view is simply not claimed. Where included, broken lines showing environment or structure are for illustrative purposes only and form no part of the claimed design.  
 Where included, dotted lines represent the border between claimed and unclaimed subject matter and form no part of the claimed design.

**1 Claim, 3 Drawing Sheets**



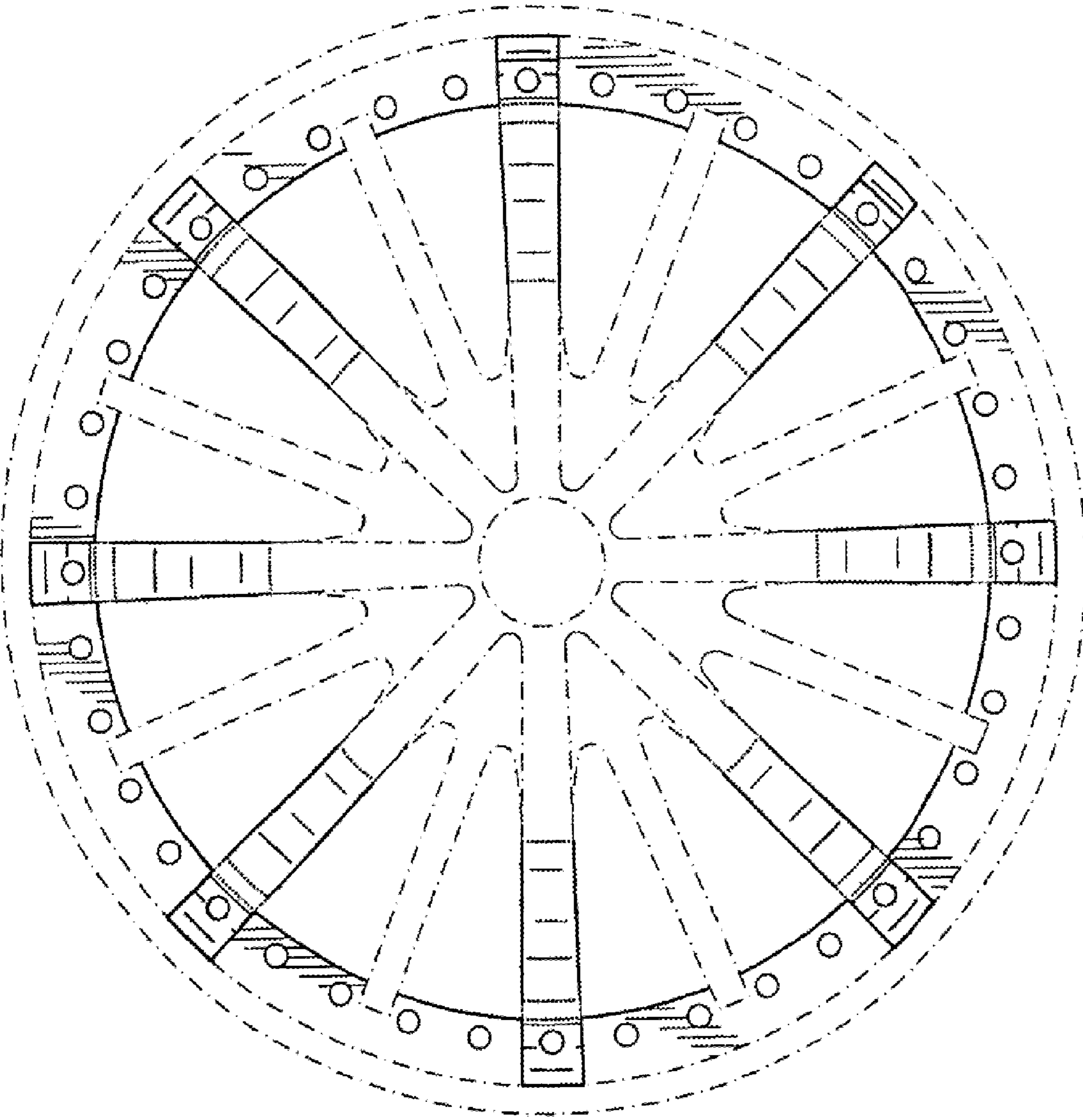
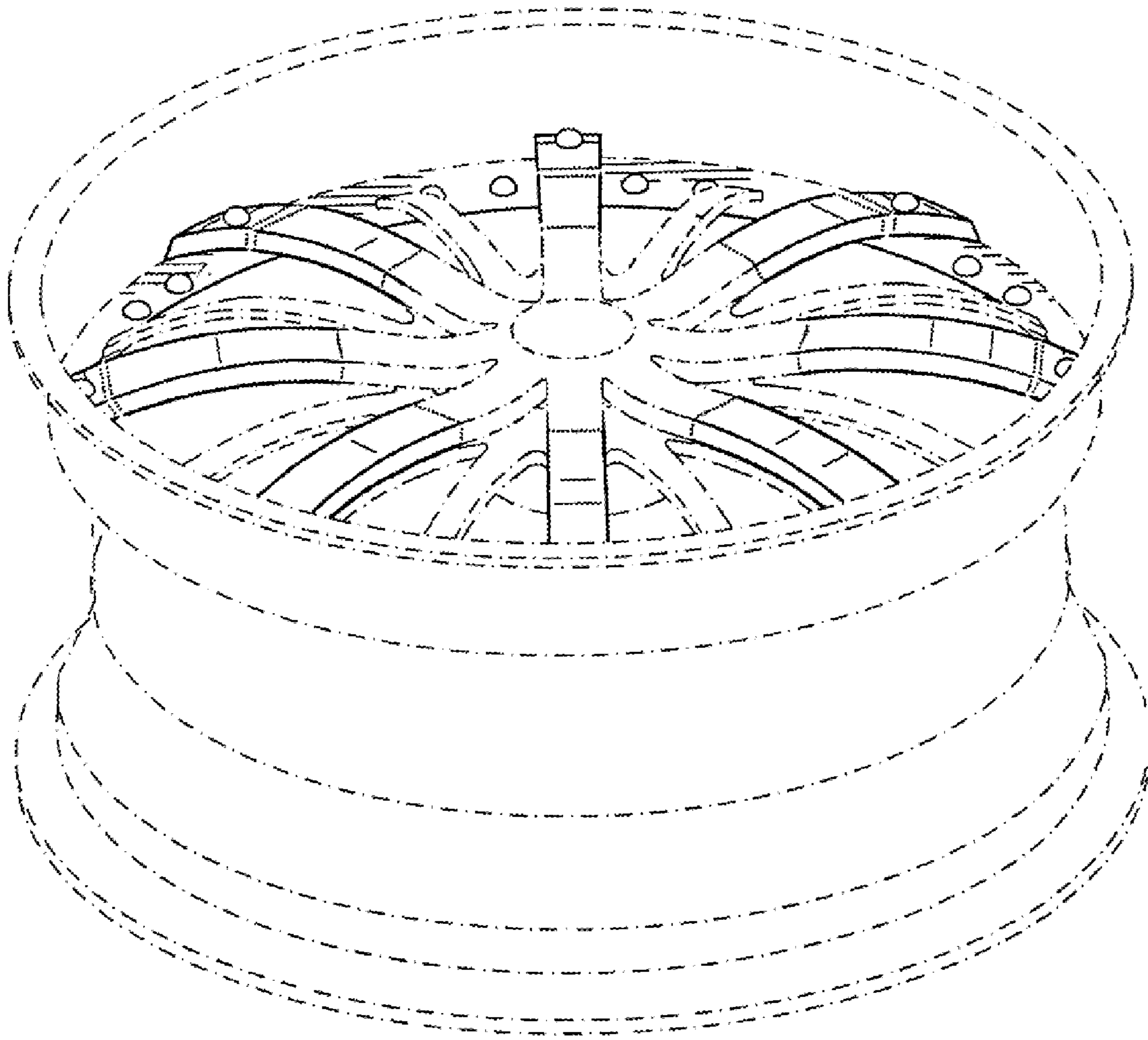


Fig. 1





**Fig. 2**

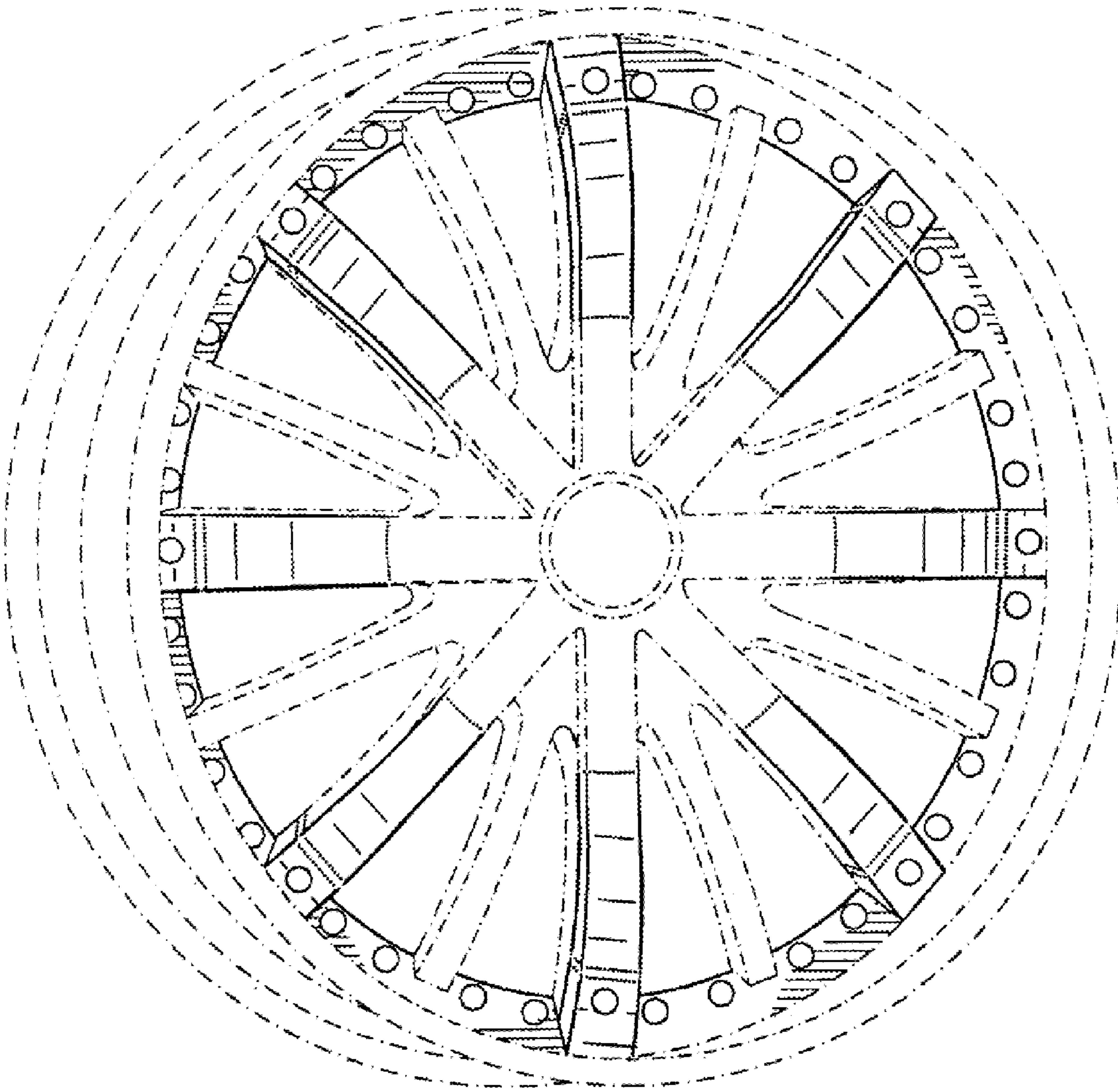


Fig. 3