

US00D541202S

(12) **United States Design Patent**  
**Baumgartner**

(10) **Patent No.:** **US D541,202 S**

(45) **Date of Patent:** **\*\* Apr. 24, 2007**

(54) **VEHICLE WHEEL**

(75) Inventor: **Heinrich Baumgartner**, Schiltach (DE)

(73) Assignee: **BBS Kraftfahrzeugtechnik AG**,  
Schiltach (DE)

(\*\*) Term: **14 Years**

(21) Appl. No.: **29/191,598**

(22) Filed: **Oct. 10, 2003**

(30) **Foreign Application Priority Data**

Apr. 14, 2003 (DE) ..... 4 03 03 031

(51) **LOC (8) Cl.** ..... **12-16**

(52) **U.S. Cl.** ..... **D12/211**

(58) **Field of Classification Search** ..... D12/204-213;  
301/37.101, 64.101, 65

See application file for complete search history.

(56) **References Cited**

**U.S. PATENT DOCUMENTS**

D395,270 S \* 6/1998 Baumgartner et al. .... D12/211

D398,898 S \* 9/1998 Baumgartner et al. .... D12/211  
D405,409 S \* 2/1999 Baumgartner ..... D12/211  
D406,092 S \* 2/1999 Baumgartner ..... D12/211  
D417,646 S \* 12/1999 Baumgartner ..... D12/211  
D420,320 S \* 2/2000 Khoury ..... D12/209  
D430,526 S \* 9/2000 Fitzgerald ..... D12/211  
D432,974 S \* 10/2000 Jablonski ..... D12/211  
D457,478 S \* 5/2002 Minamisawa ..... D12/211  
D461,441 S \* 8/2002 Hartanto ..... D12/211

\* cited by examiner

*Primary Examiner*—Stacia Cadmus

(74) *Attorney, Agent, or Firm*—Greenburg Traurig, LLP

(57) **CLAIM**

The ornamental design for a vehicle wheel, as shown and described.

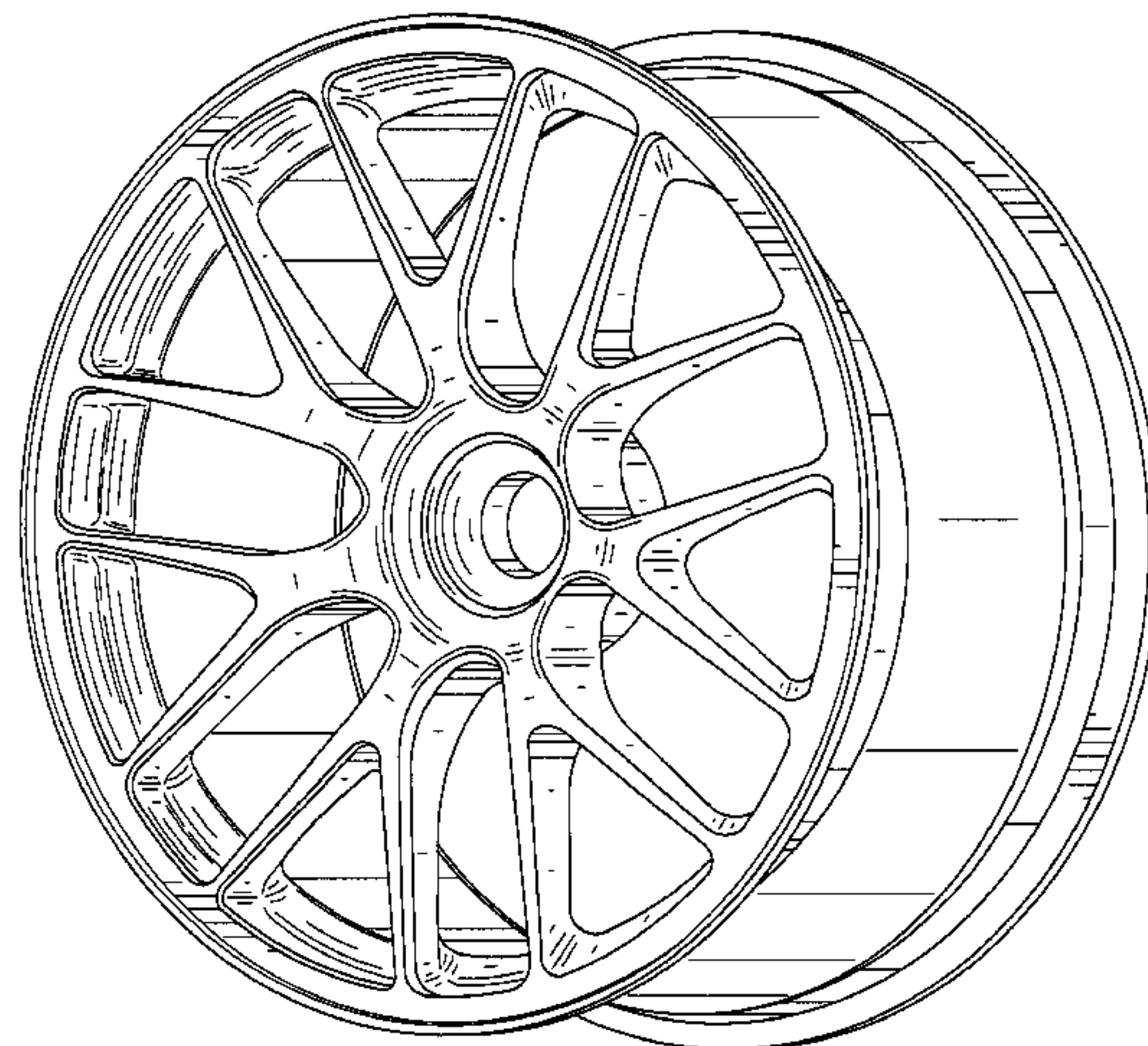
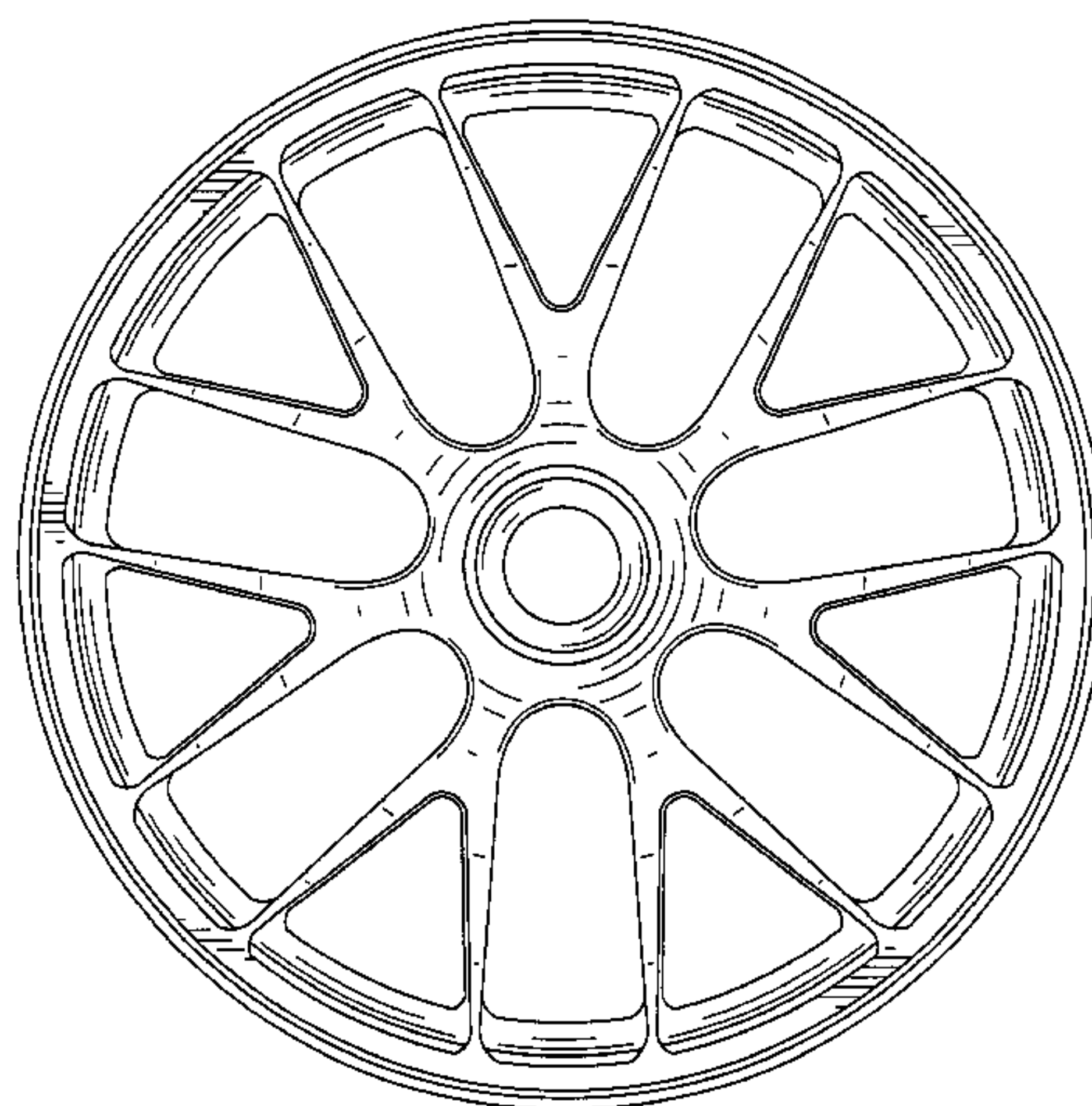
**DESCRIPTION**

FIG. 1 is a front elevation view of the vehicle wheel according to the invention, showing my new ornamental design;

FIG. 2 is a side perspective view thereof; and,

FIG. 3 is a further side perspective view thereof.

**1 Claim, 3 Drawing Sheets**



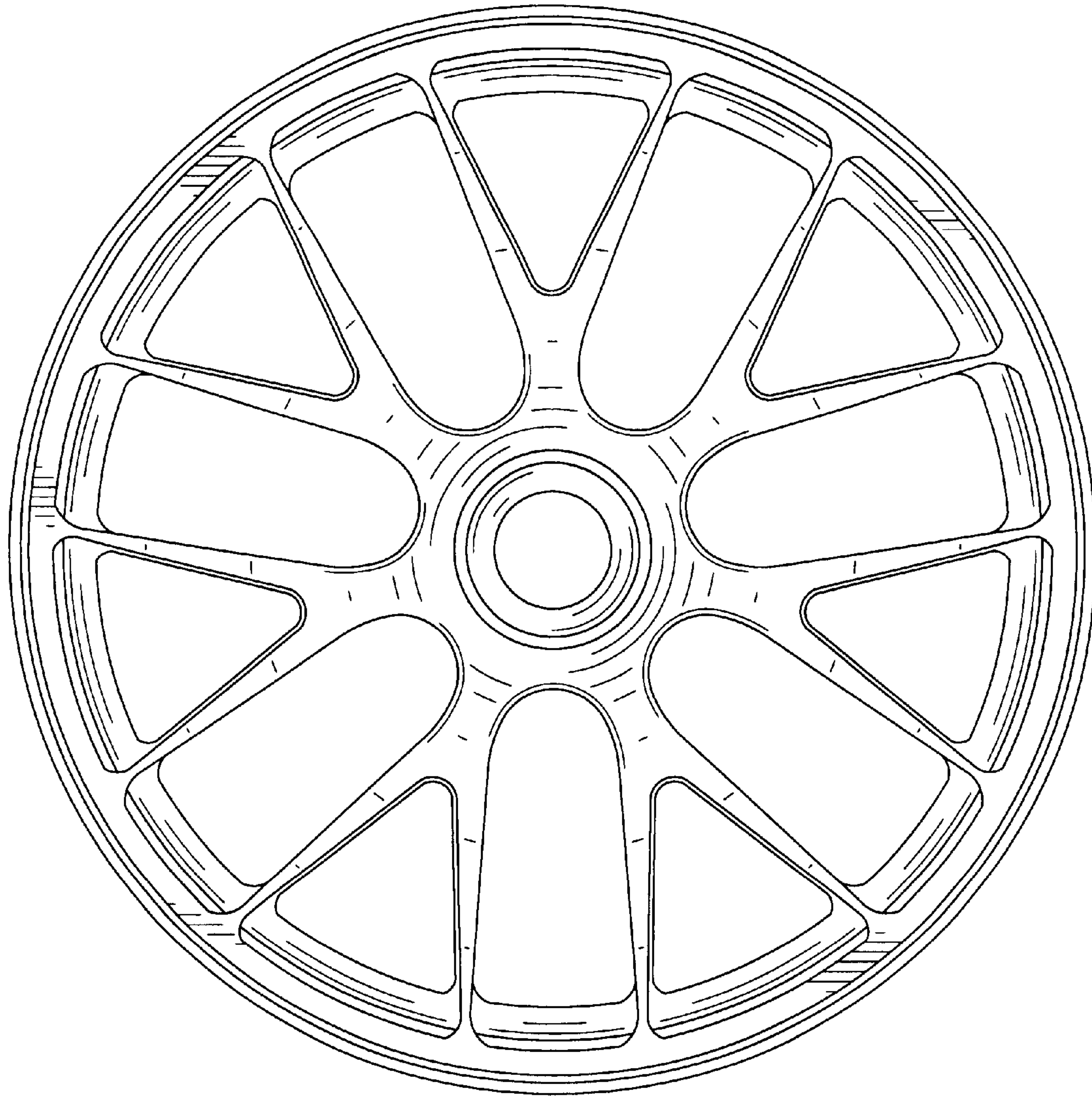


FIG. 1



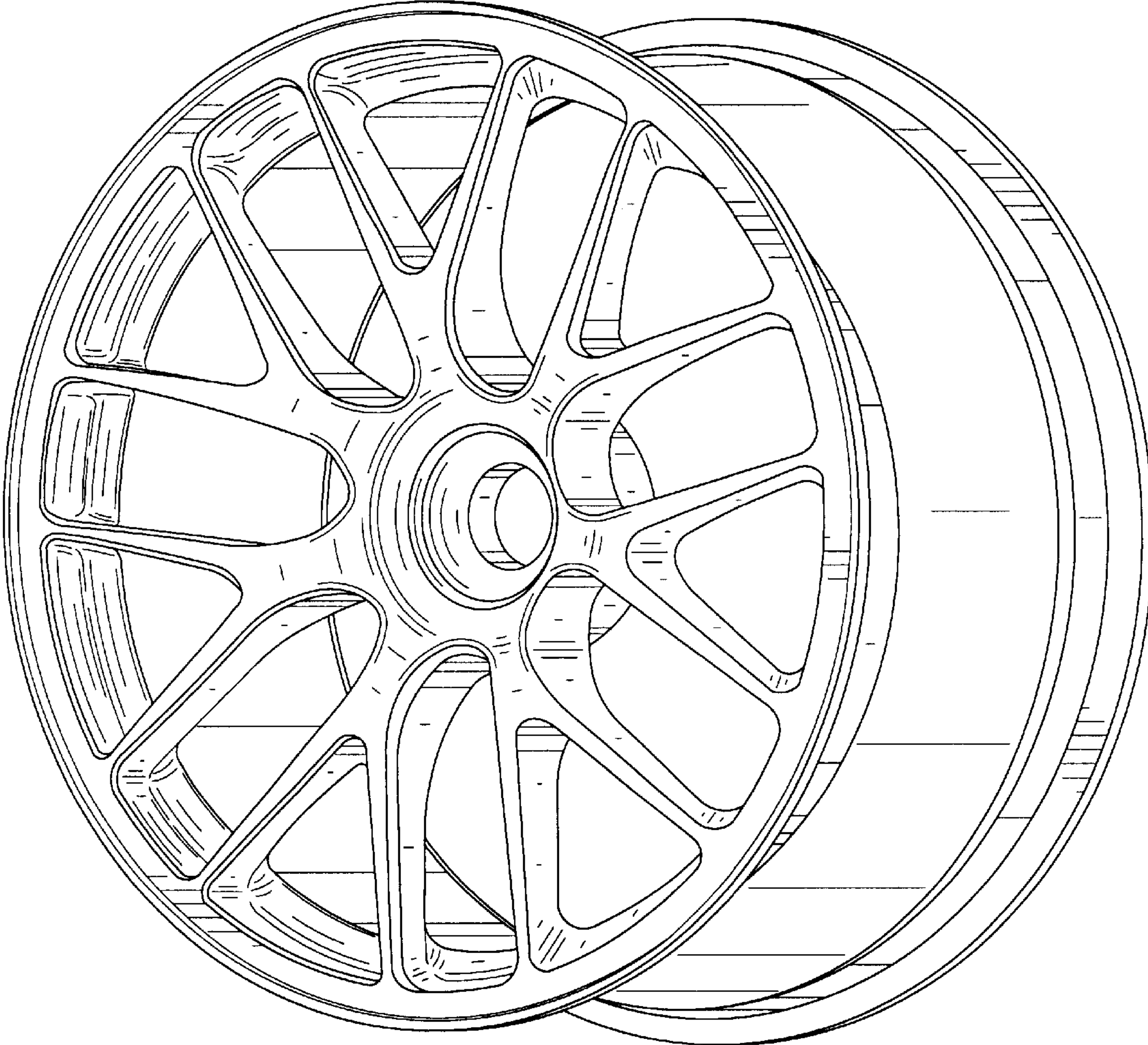


FIG. 2

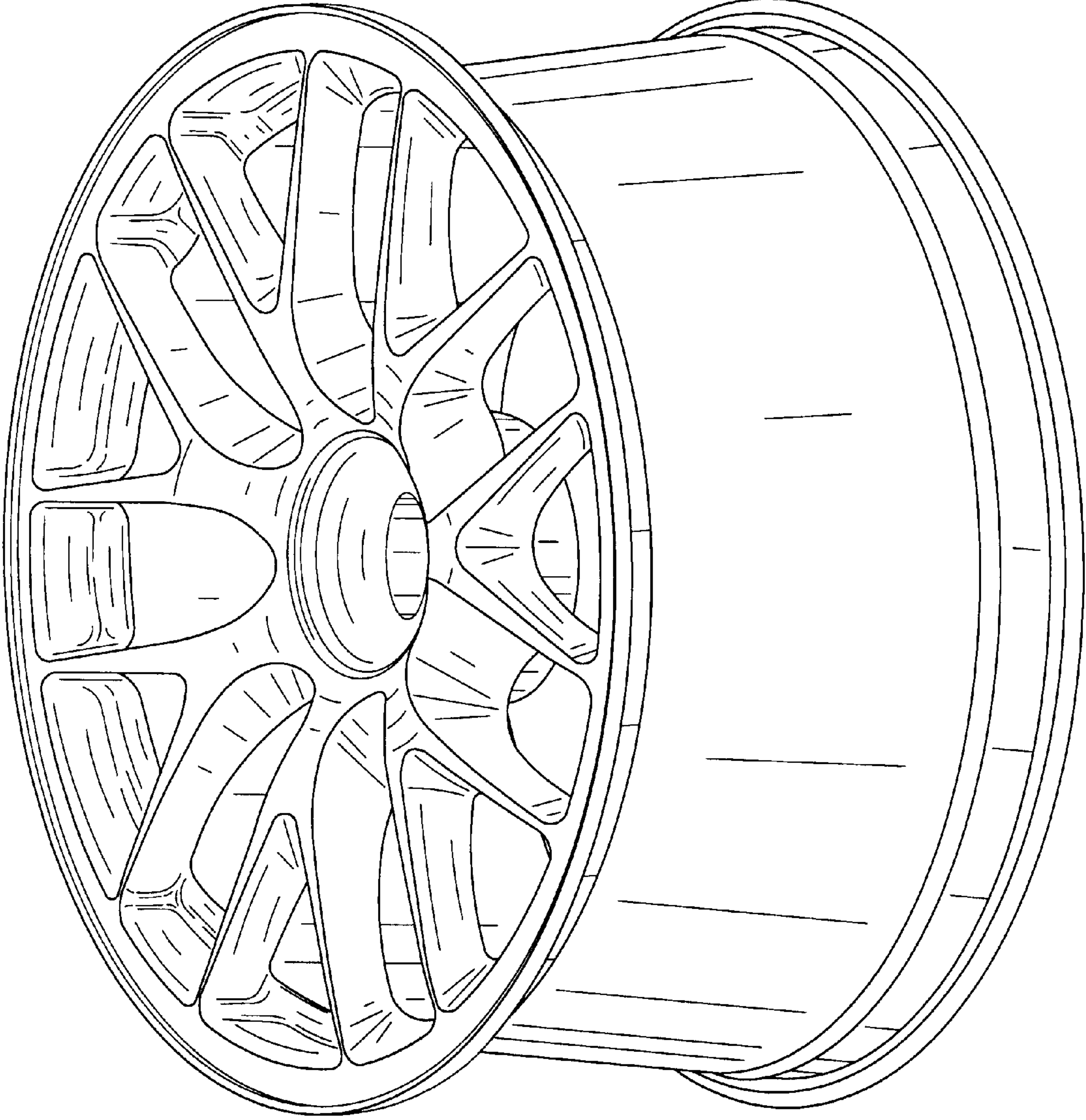


FIG. 3