



US00D541199S

(12) **United States Design Patent**
Billings

(10) **Patent No.:** **US D541,199 S**

(45) **Date of Patent:** **** Apr. 24, 2007**

(54) **AIR DEFLECTOR**

(76) Inventor: **Dana Billings**, 820 Central Street,
Centreville, New Brunswick (CA), E7K
2B9

(**) Term: **14 Years**

(21) Appl. No.: **29/226,042**

(22) Filed: **Mar. 24, 2005**

(51) **LOC (8) Cl.** **12-08**

(52) **U.S. Cl.** **D12/181**

(58) **Field of Classification Search** D12/181,
D12/190, 400, 196; 180/68.1, 68.3, 69.24-69.25;
280/770; 454/131-135, 121, 128; 114/361;
296/152, 154, 91, 136, 96.11, 180.1, 180.2
See application file for complete search history.

(56) **References Cited**

U.S. PATENT DOCUMENTS

1,364,053	A	*	12/1920	Quintin	296/96.11
1,718,083	A		6/1929	Segelken		
2,079,203	A		5/1937	Fagerburg		
2,586,090	A		2/1952	Riggs		
D166,494	S	*	4/1952	Reichman	D12/181
2,638,833	A		5/1953	Snyder		
D174,351	S	*	3/1955	Reichman	D12/181
2,919,638	A		1/1960	Mathews		
D194,590	S	*	2/1963	Nowak	D12/181
D230,262	S	*	2/1974	McCarroll	D12/181
4,033,245	A		7/1977	DeRees		
4,111,106	A		9/1978	Burns		
4,202,254	A		5/1980	Long		
4,423,668	A		1/1984	Long		
4,476,774	A		10/1984	Liberto et al.		
4,726,618	A		2/1988	Hansen		
D302,963	S	*	8/1989	Giovannoni	D12/181
D318,643	S	*	7/1991	Judson	D12/181

D335,646	S	*	5/1993	Silzer	D12/181
5,533,778	A	*	7/1996	Sheridan	296/152
5,702,149	A	*	12/1997	Sweeney	296/152
5,921,859	A		7/1999	Foster		
6,042,473	A		3/2000	McClary		
D429,672	S	*	8/2000	Miyagishma et al.	D12/181
6,253,702	B1		7/2001	Schoeller, Jr.		
6,350,195	B1		2/2002	Iino		

FOREIGN PATENT DOCUMENTS

DE		3131803	A1		2/1983
JP		62268724	A		11/1987
JP		63265723	A		11/1988

* cited by examiner

Primary Examiner—Stacia Cadmus

(74) *Attorney, Agent, or Firm*—Mario Theriault

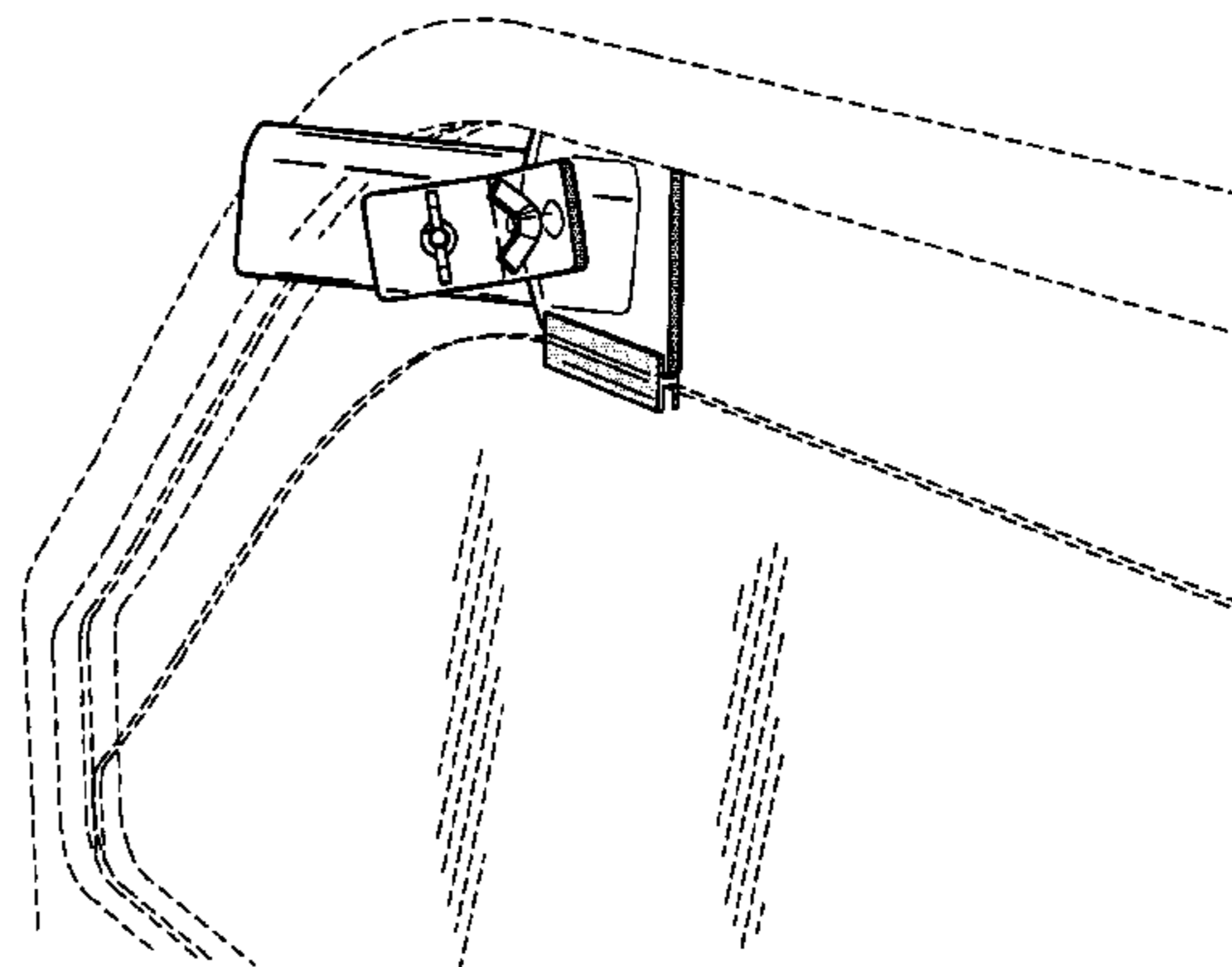
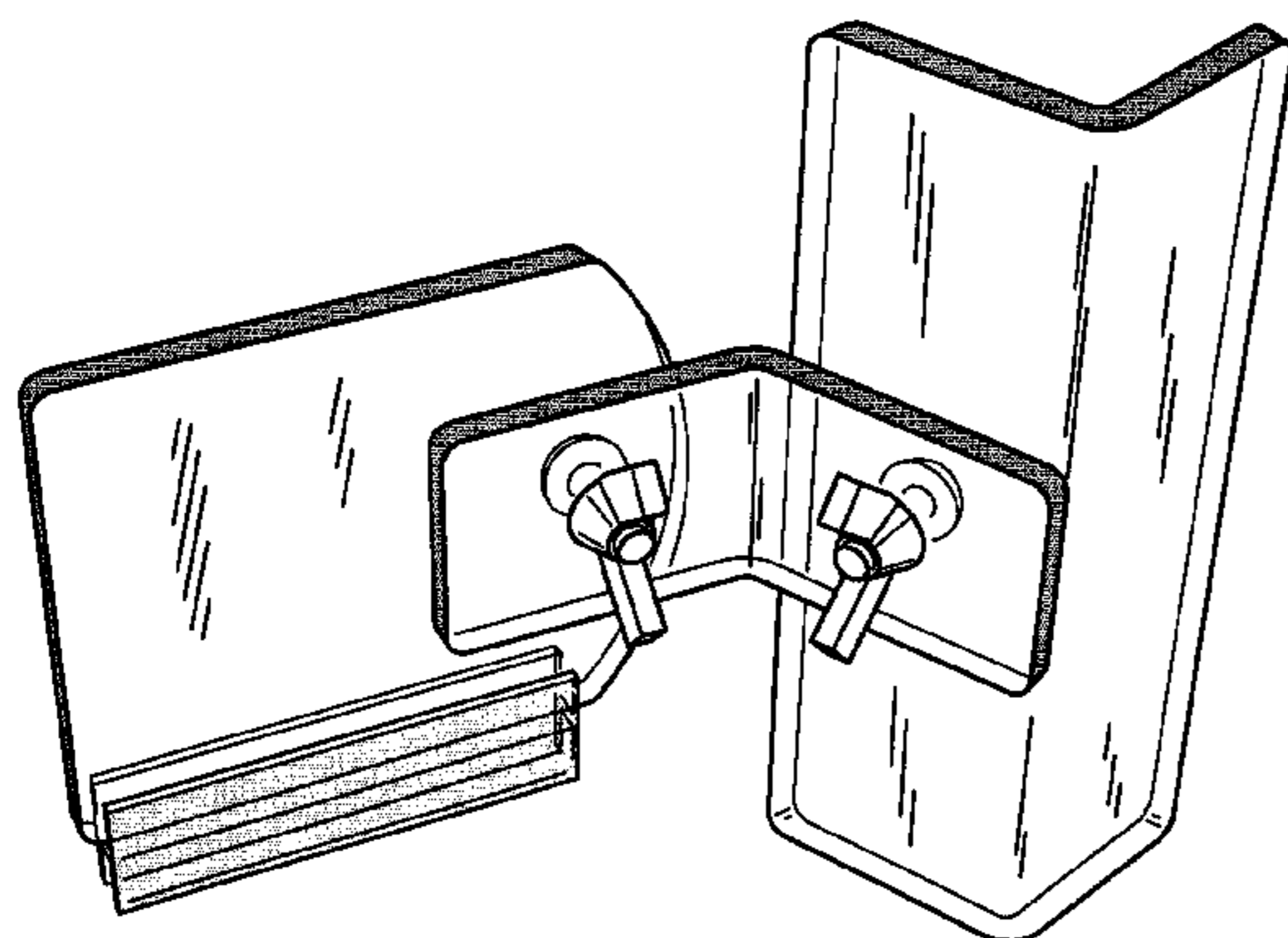
(57) **CLAIM**

The ornamental design for an air deflector, as shown and described.

DESCRIPTION

FIG. 1 is a perspective top, front and left side view of an air deflector in a first position, showing my new design; FIG. 2 is a rear view thereof; FIG. 3 is a front view thereof; FIG. 4 is a top view thereof, the bottom view being a mirror image; FIG. 5 is a left side view thereof; FIG. 6 is a right side view thereof; and, FIG. 7 is a partial perspective rear and left side view thereof in use in a second position. The dotted line disclosure of a driver-side vehicle window in FIG. 7 is for illustrative purposes only and forms no part of the claimed design.

1 Claim, 2 Drawing Sheets



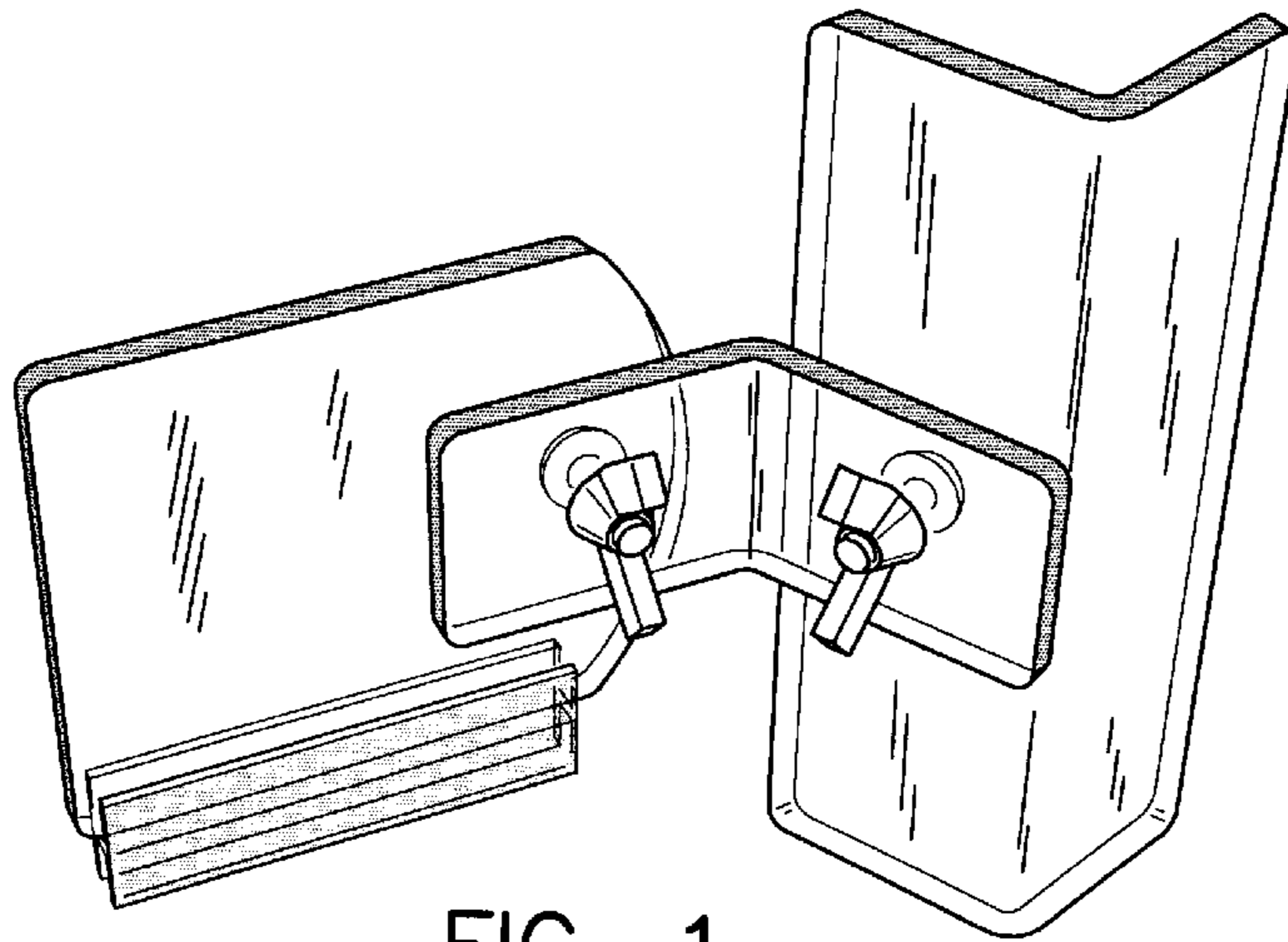


FIG. 1

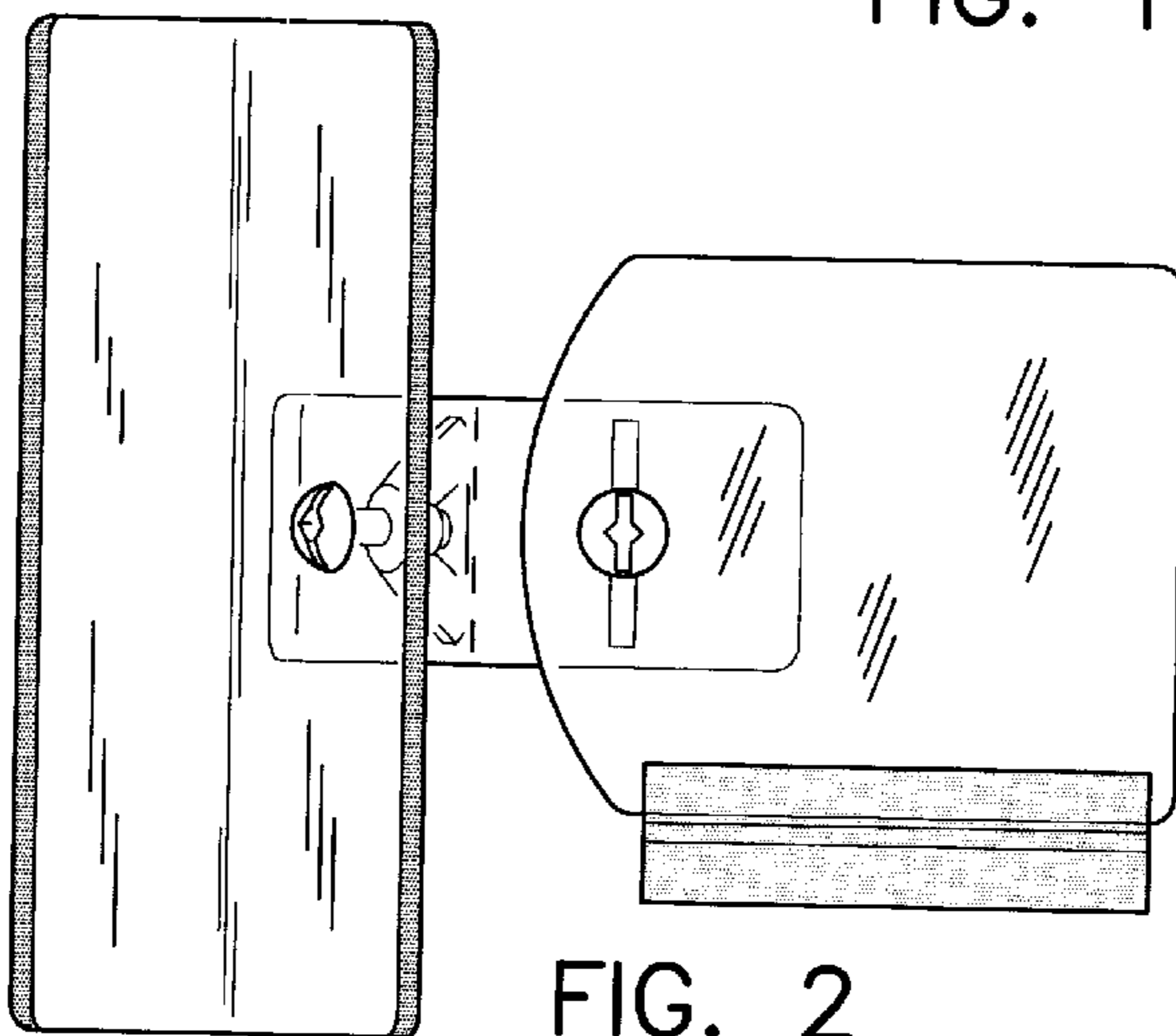


FIG. 2

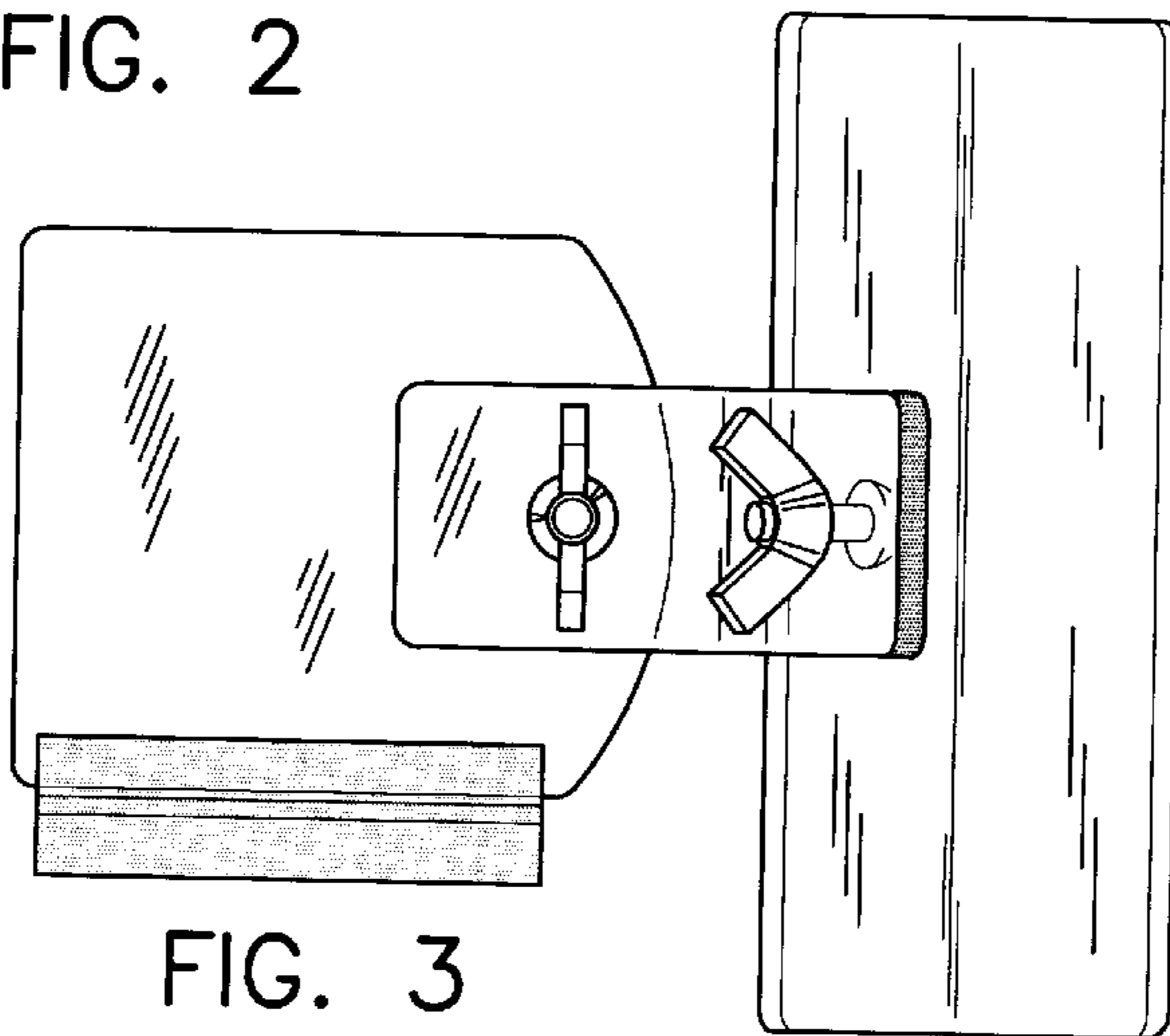


FIG. 3

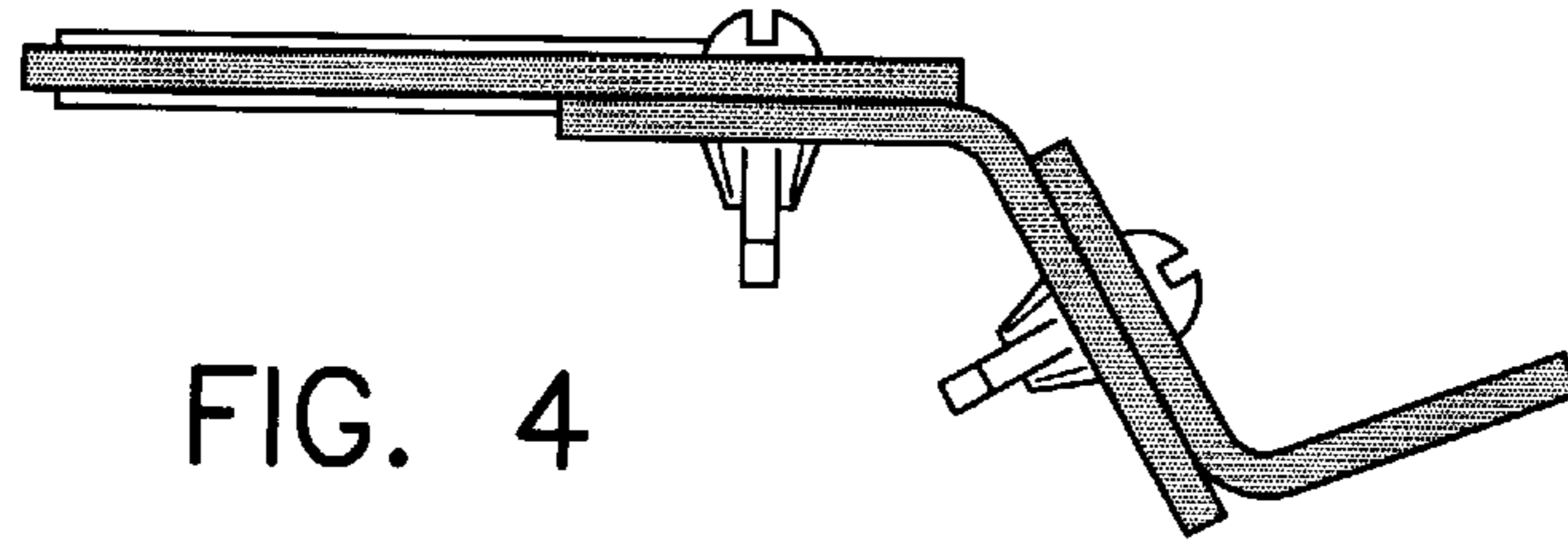


FIG. 4

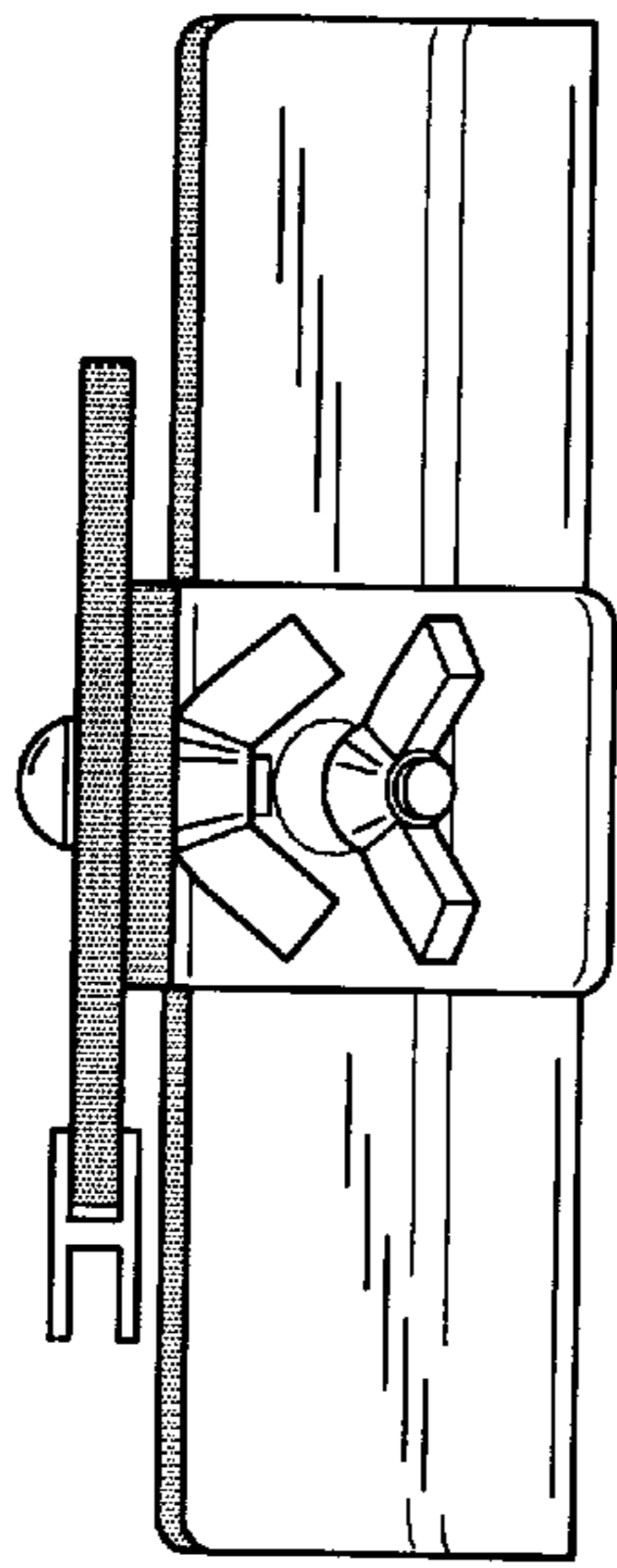


FIG. 5

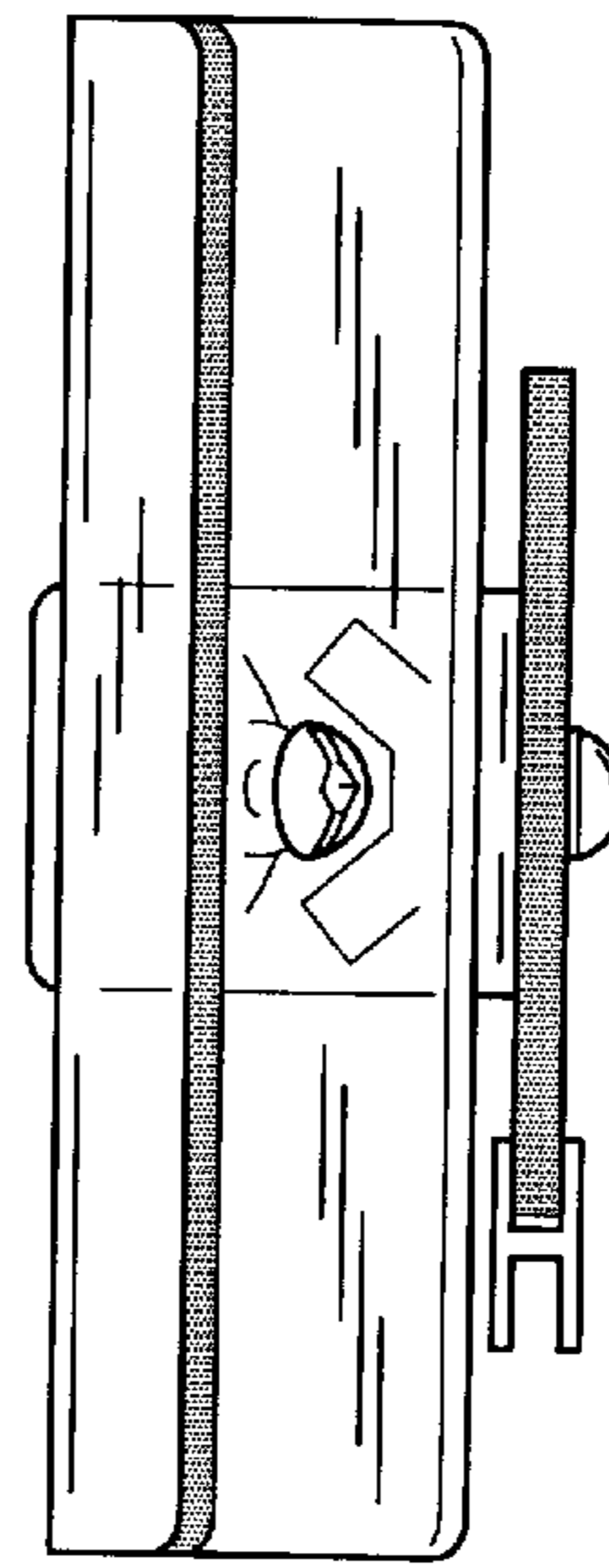


FIG. 6

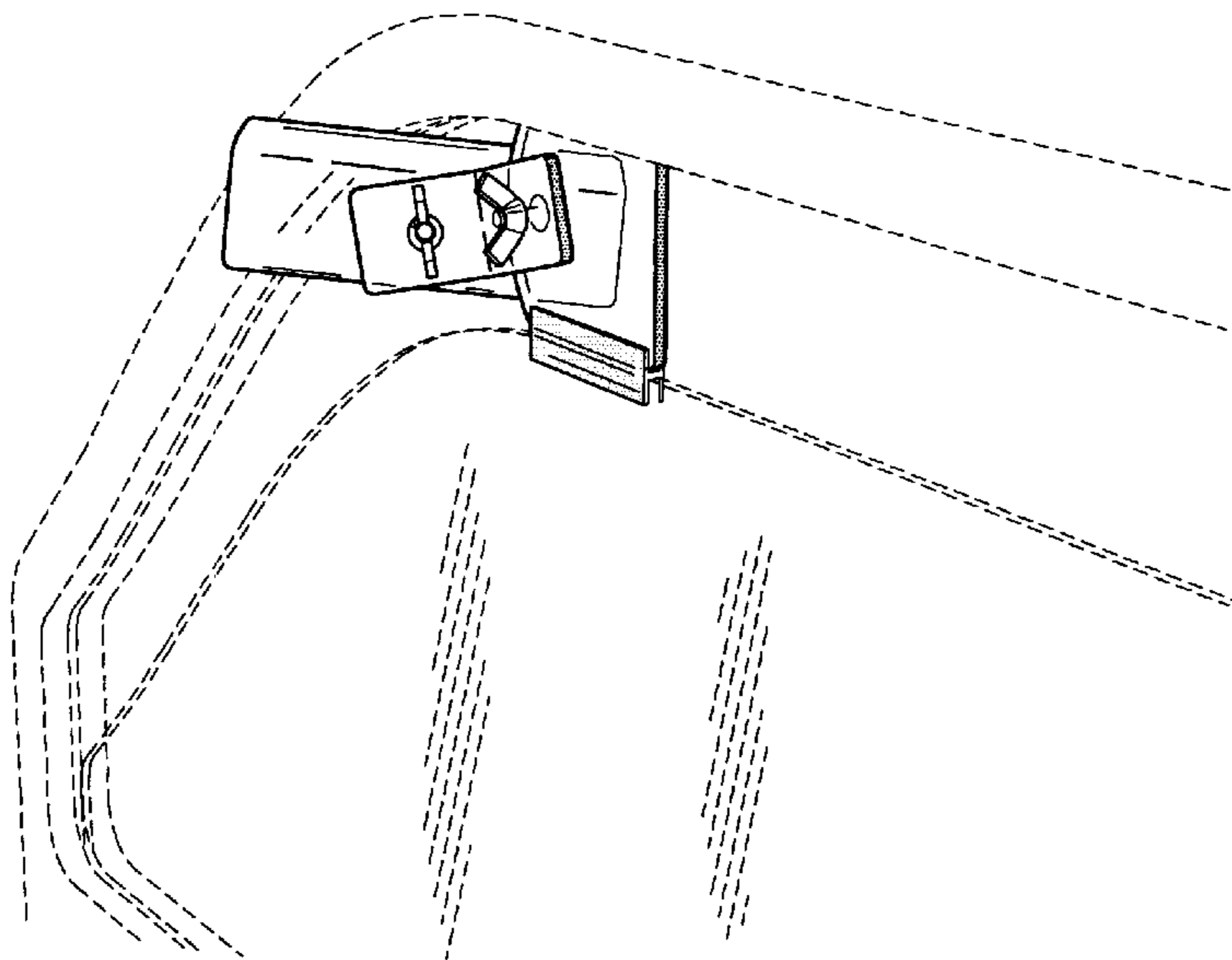


FIG. 7