



US00D541197S

(12) **United States Design Patent**
Costa

(10) **Patent No.:** **US D541,197 S**
(45) **Date of Patent:** **** Apr. 24, 2007**

(54) **BLADE-SHAPED MOTORCYCLE FORK TREE**

(76) Inventor: **Vincenzo F. Costa**, 15572 Computer La., Huntington Beach, CA (US) 92649

(**) Term: **14 Years**

(21) Appl. No.: **29/257,643**

(22) Filed: **Apr. 7, 2006**

(51) **LOC (8) Cl.** **12-11**

(52) **U.S. Cl.** **D12/118**

(58) **Field of Classification Search** D12/110, D12/114, 117, 118; 280/274-288, 281.1, 280/288.1, 288.2, 288.3, 288.4; 180/219

See application file for complete search history.

(56) **References Cited**

U.S. PATENT DOCUMENTS

D74,932 S * 4/1928 Lake, Jr. D12/118

* cited by examiner

Primary Examiner—Alan P. Douglas

Assistant Examiner—Linda Brooks

(74) *Attorney, Agent, or Firm*—Clement Cheng

(57) **CLAIM**

The ornamental design for a blade-shaped motorcycle fork tree, as shown and described.

DESCRIPTION

FIG. 1 is a bottom, front left perspective view of a blade-shaped motorcycle fork tree according to the first embodiment of my invention.

FIG. 2 is an enlarged bottom, front left perspective view of the blade-shaped motorcycle fork tree of FIG. 1.

FIG. 3 is an enlarged top, front left perspective view of the blade-shaped motorcycle fork tree of FIG. 1.

FIG. 4 is a front, elevation view of the blade-shaped motorcycle fork tree of FIG. 1.

FIG. 5 is a top plan view of the blade-shaped motorcycle fork tree of FIG. 1.

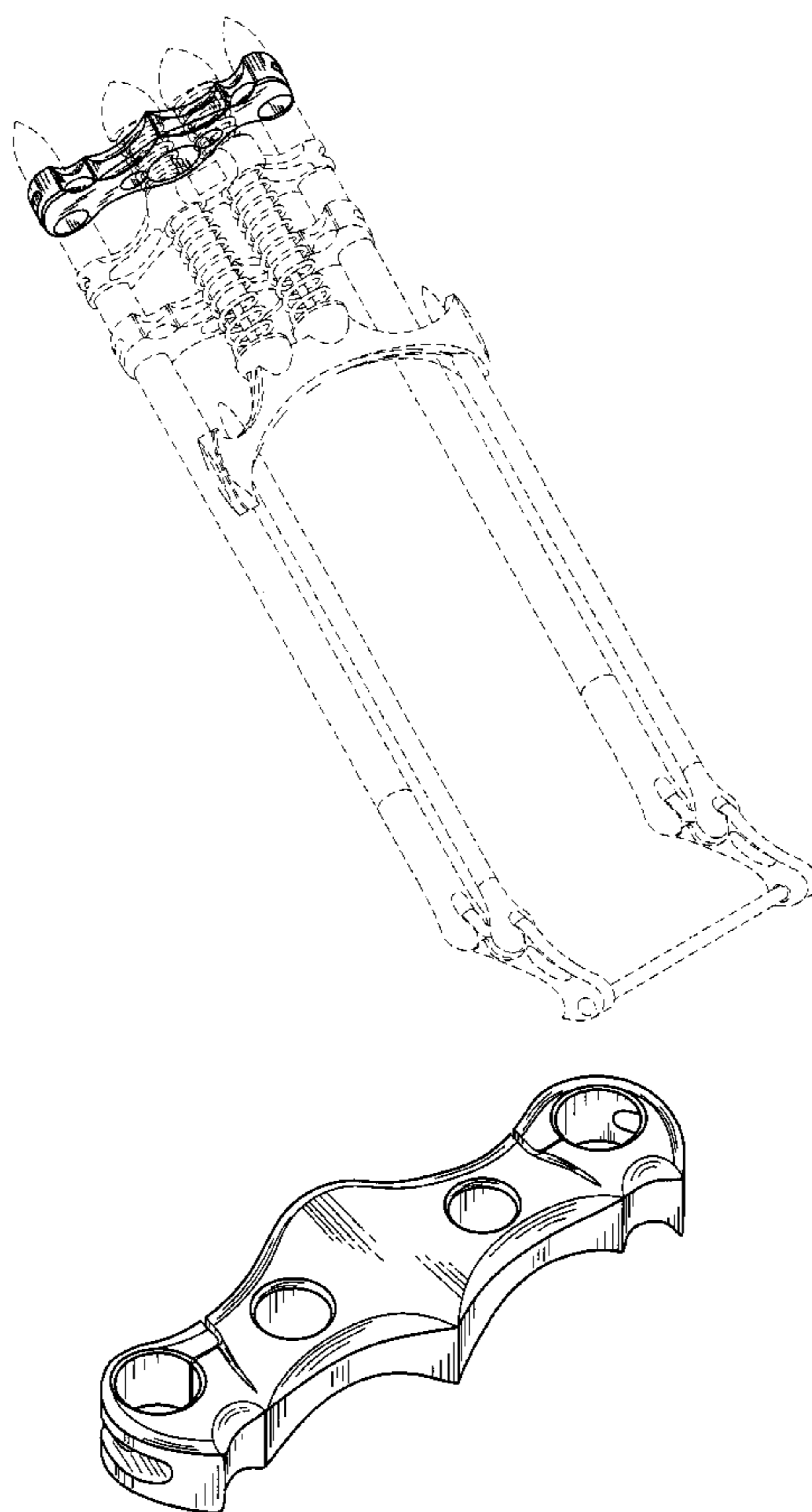
FIG. 6 is a bottom plan view of the blade-shaped motorcycle fork tree of FIG. 1.

FIG. 7 is a left side, elevation view of the blade-shaped motorcycle fork tree of FIG. 1, the right side, elevation view being a mirror image thereof; and,

FIG. 8 is a rear, elevation view of the blade-shaped motorcycle fork tree of FIG. 1.

The broken lines shown in FIG. 1 are for illustrative purposes only and form no part of the claimed design.

1 Claim, 4 Drawing Sheets



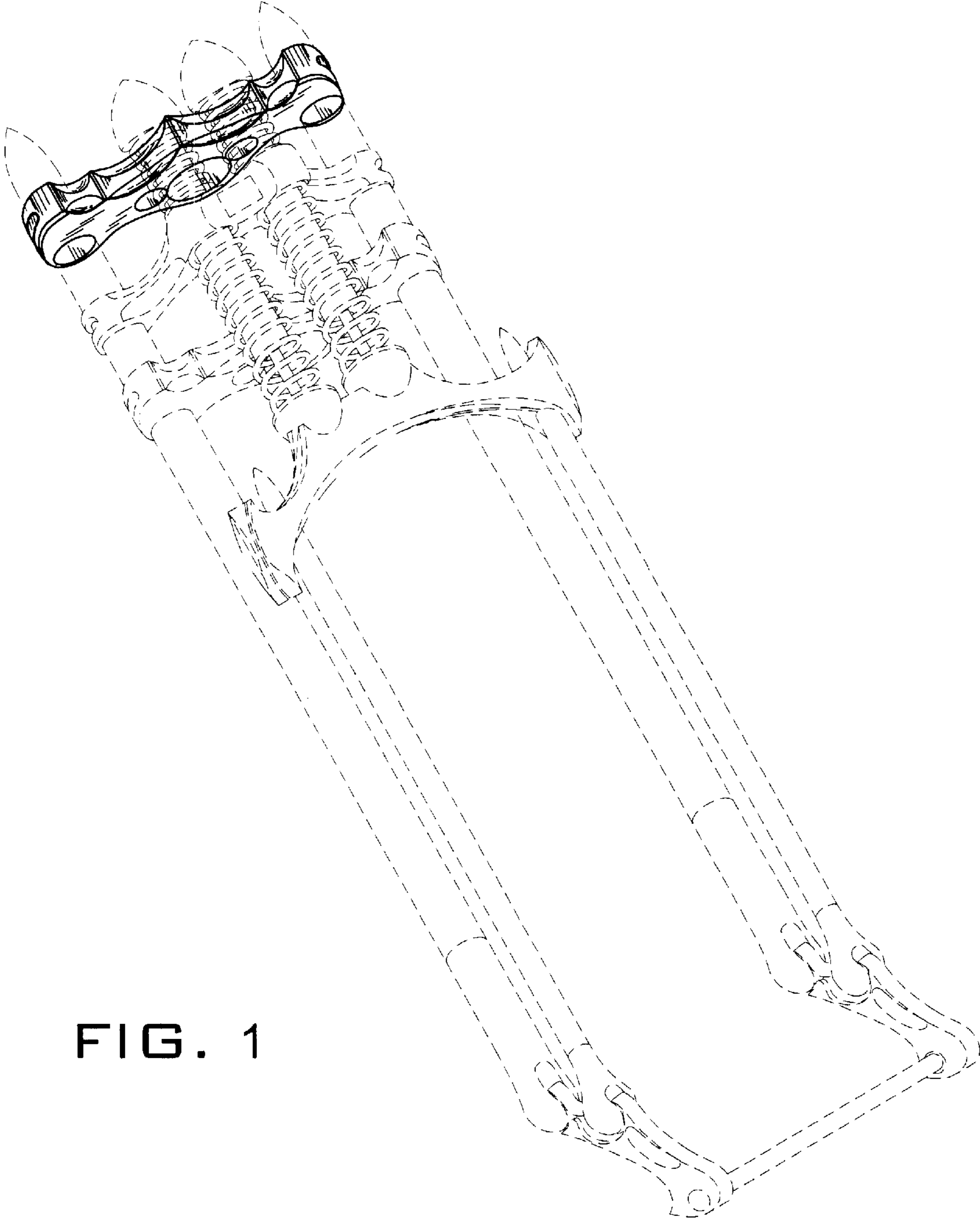


FIG. 1

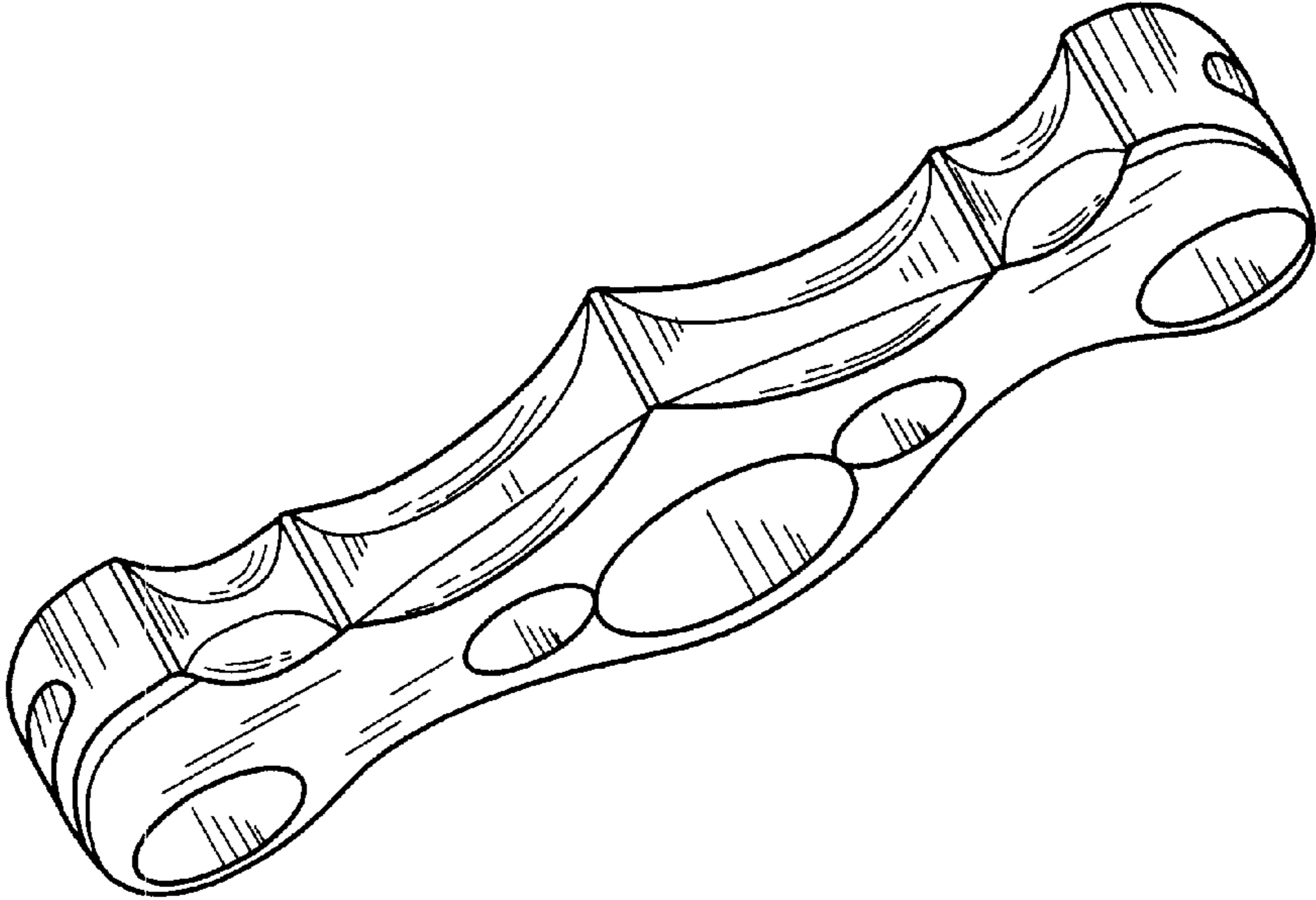


FIG. 2

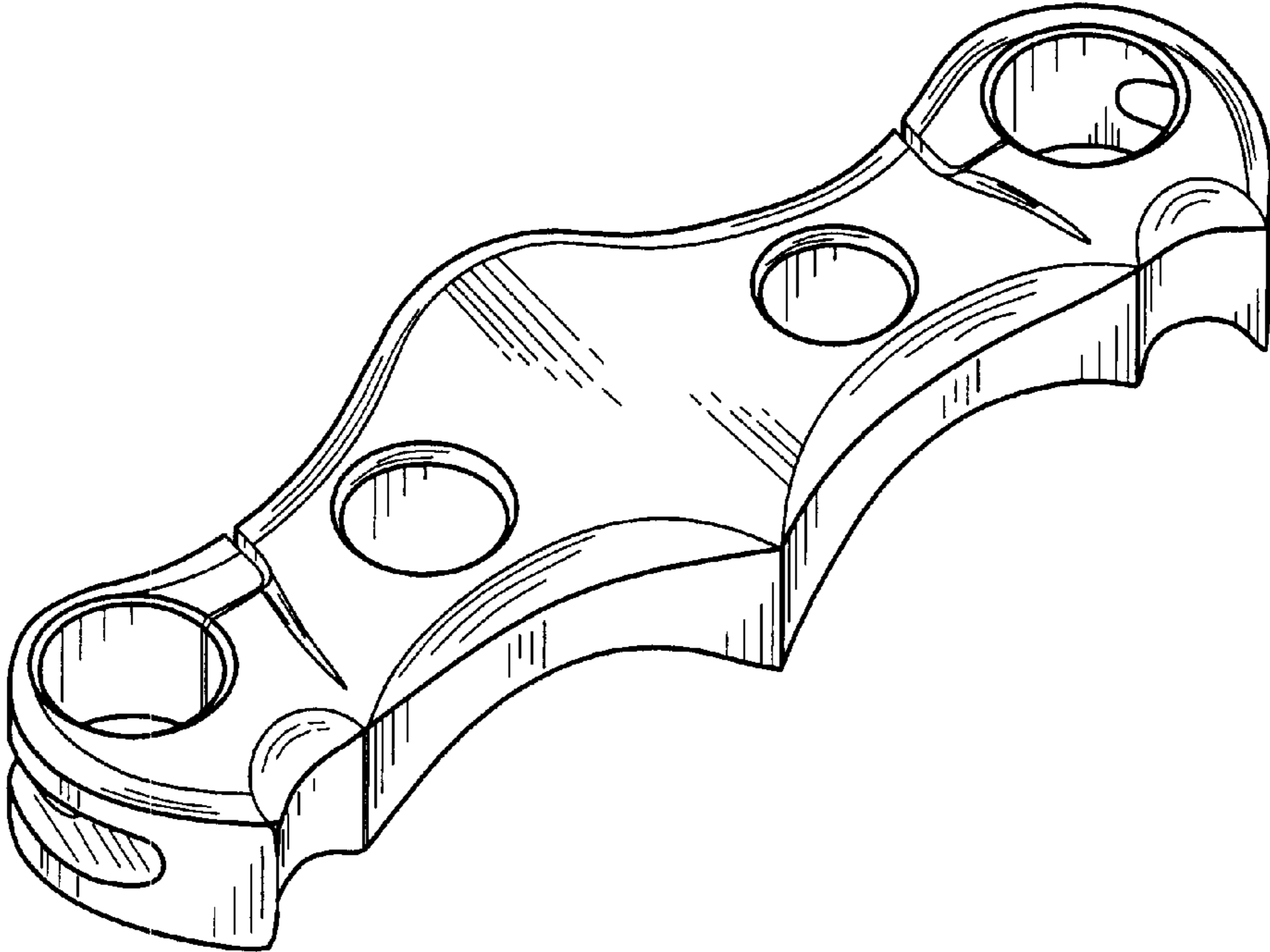


FIG. 3

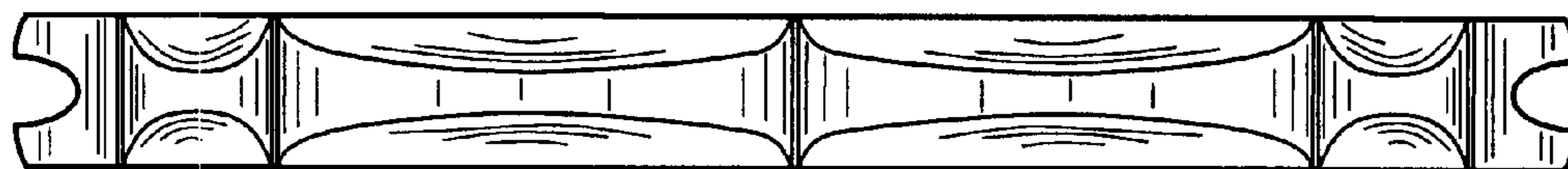


FIG. 4

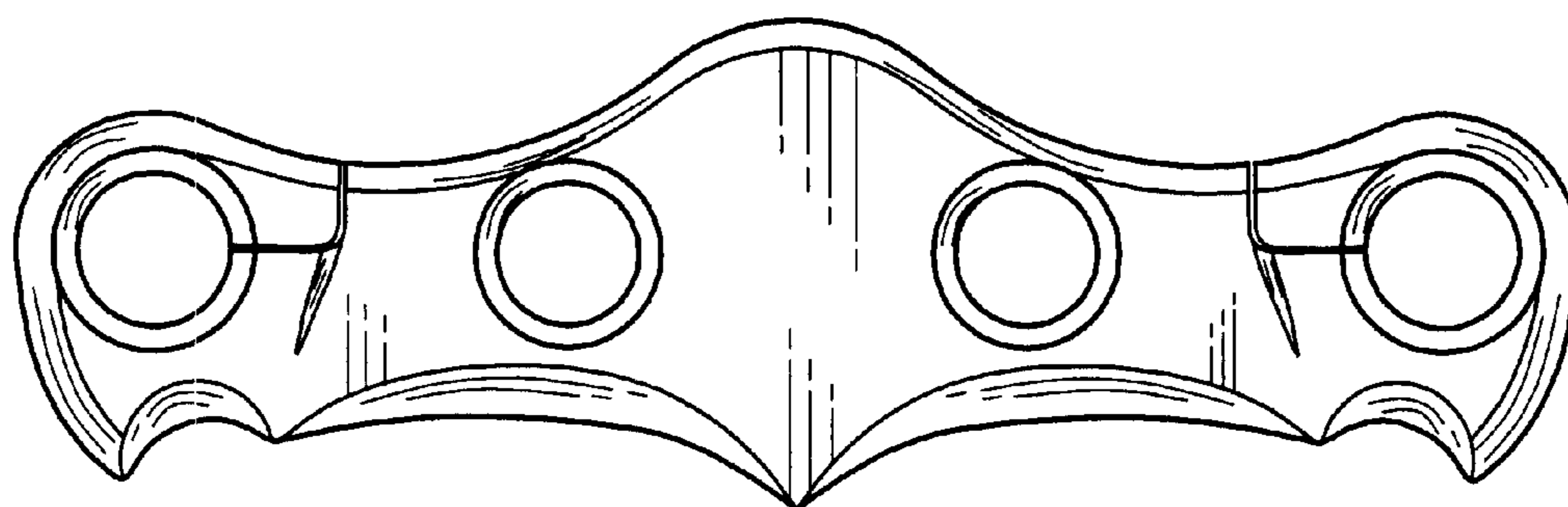


FIG. 5

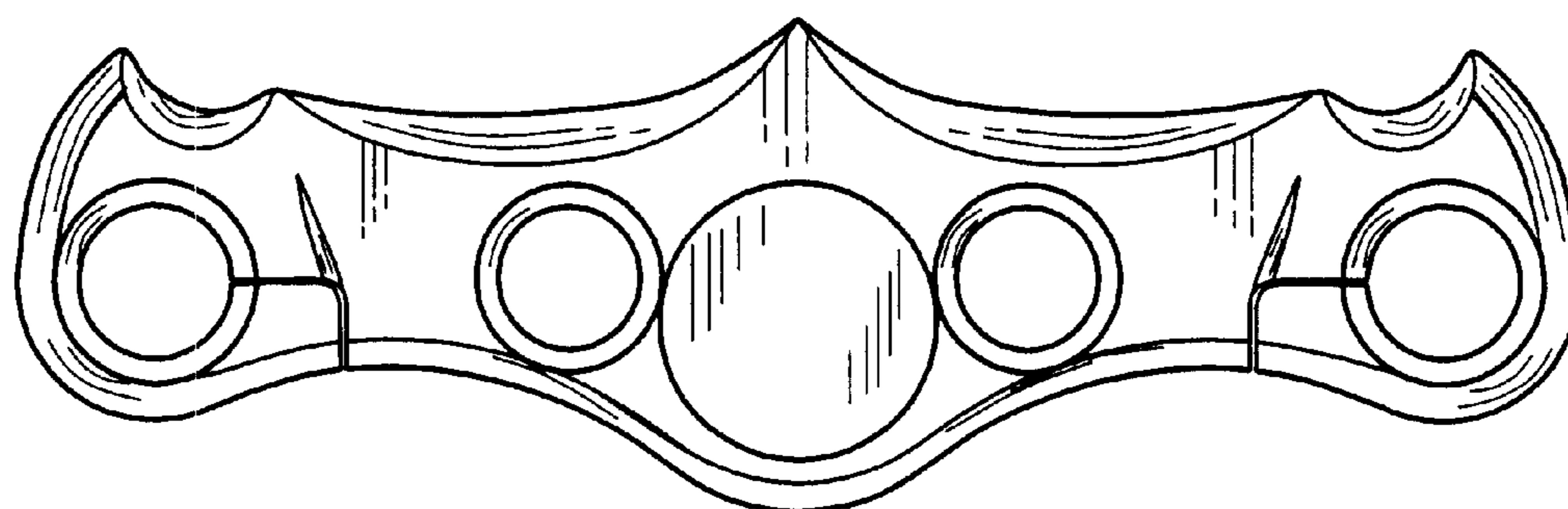


FIG. 6

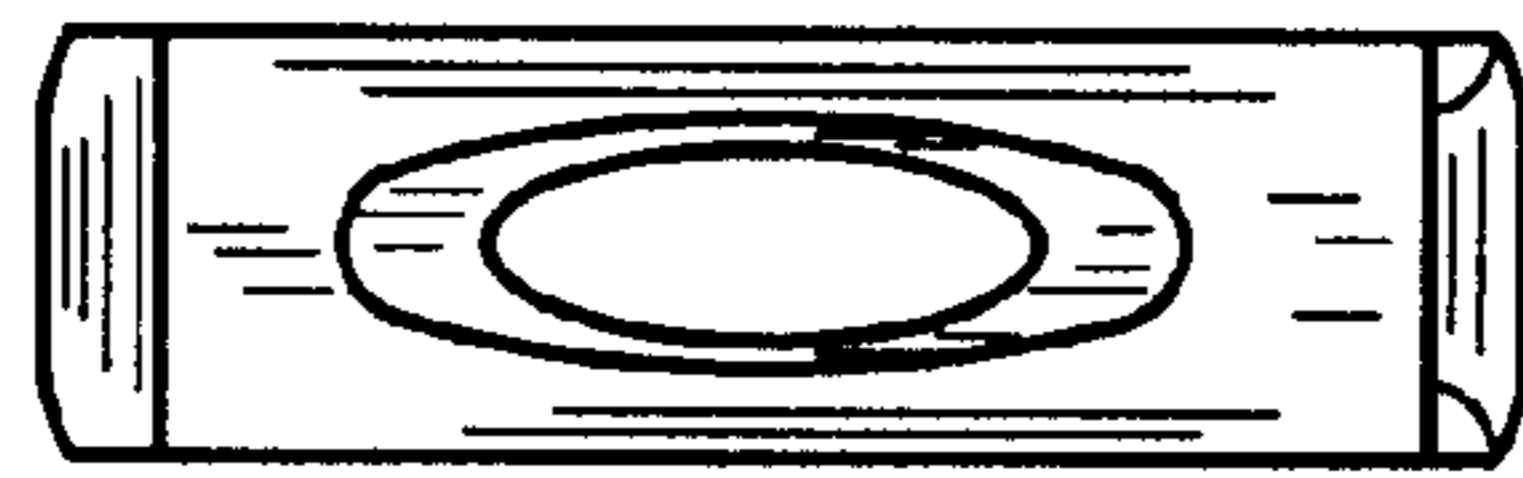


FIG. 7

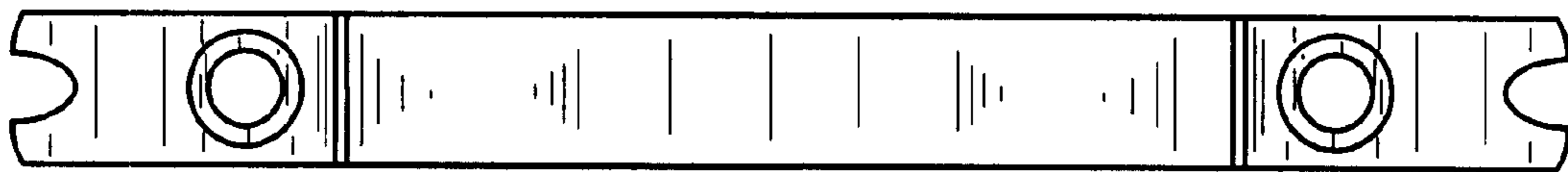


FIG. 8