



US00D541196S

(12) **United States Design Patent**
Kokubu et al.

(10) **Patent No.:** **US D541,196 S**

(45) **Date of Patent:** **** Apr. 24, 2007**

(54) **MOTOR SCOOTER**

(75) Inventors: **Takahiro Kokubu**, Wako (JP); **Jun Tanaka**, Wako (JP); **Hiroyuki Miyazaki**, Wako (JP); **Satoshi Ito**, Wako (JP)

(73) Assignee: **Honda Motor Co., Ltd.**, Tokyo (JP)

(**) Term: **14 Years**

(21) Appl. No.: **29/253,284**

(22) Filed: **Feb. 3, 2006**

(30) **Foreign Application Priority Data**

Aug. 4, 2005 (JP) 2005-022752

(51) **LOC (8) Cl.** **12-11**

(52) **U.S. Cl.** **D12/110**

(58) **Field of Classification Search** D12/110;
180/219, 220, 225, 229

See application file for complete search history.

(56) **References Cited**

U.S. PATENT DOCUMENTS

D401,184 S * 11/1998 Tsukui et al. D12/110

D521,415 S * 5/2006 Kojima et al. D12/110

* cited by examiner

Primary Examiner—Alan P. Douglas

Assistant Examiner—Linda Brooks

(74) *Attorney, Agent, or Firm*—Arent Fox PLLC

(57) **CLAIM**

The ornamental design for a motor scooter, as shown and described.

DESCRIPTION

FIG. 1 is a front view of a motor scooter showing my new design.

FIG. 2 is a plan view thereof.

FIG. 3 is a bottom view thereof.

FIG. 4 is a rear view thereof.

FIG. 5 is a right side view thereof.

FIG. 6 is a left side view thereof.

FIG. 7 is a perspective view thereof as seen from the right front side.

FIG. 8 is a perspective view thereof as seen from the left front side.

FIG. 9 is a perspective view thereof as seen from the left rear side; and,

FIG. 10 is a perspective view thereof as seen from the right rear side.

1 Claim, 5 Drawing Sheets

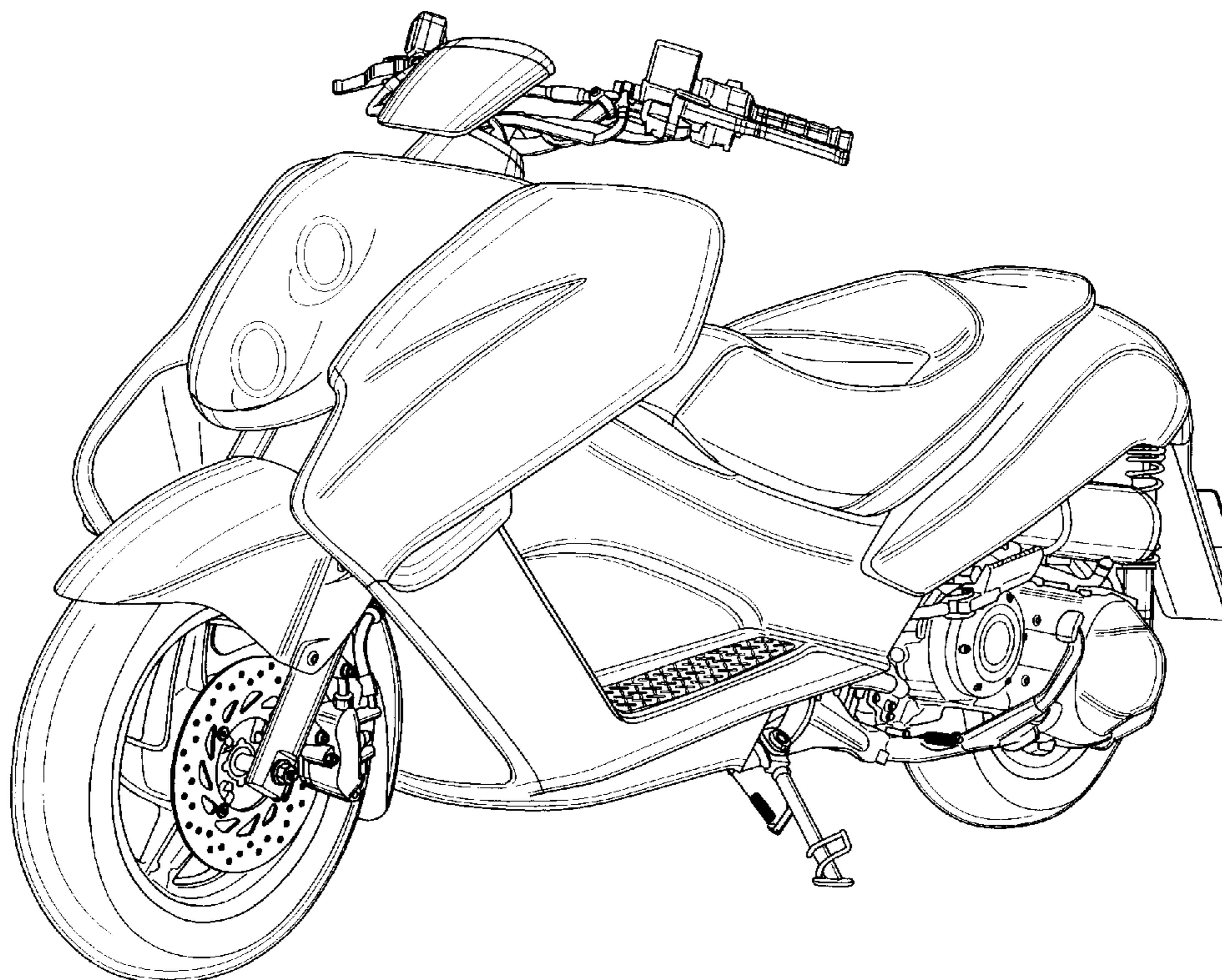


FIG.1

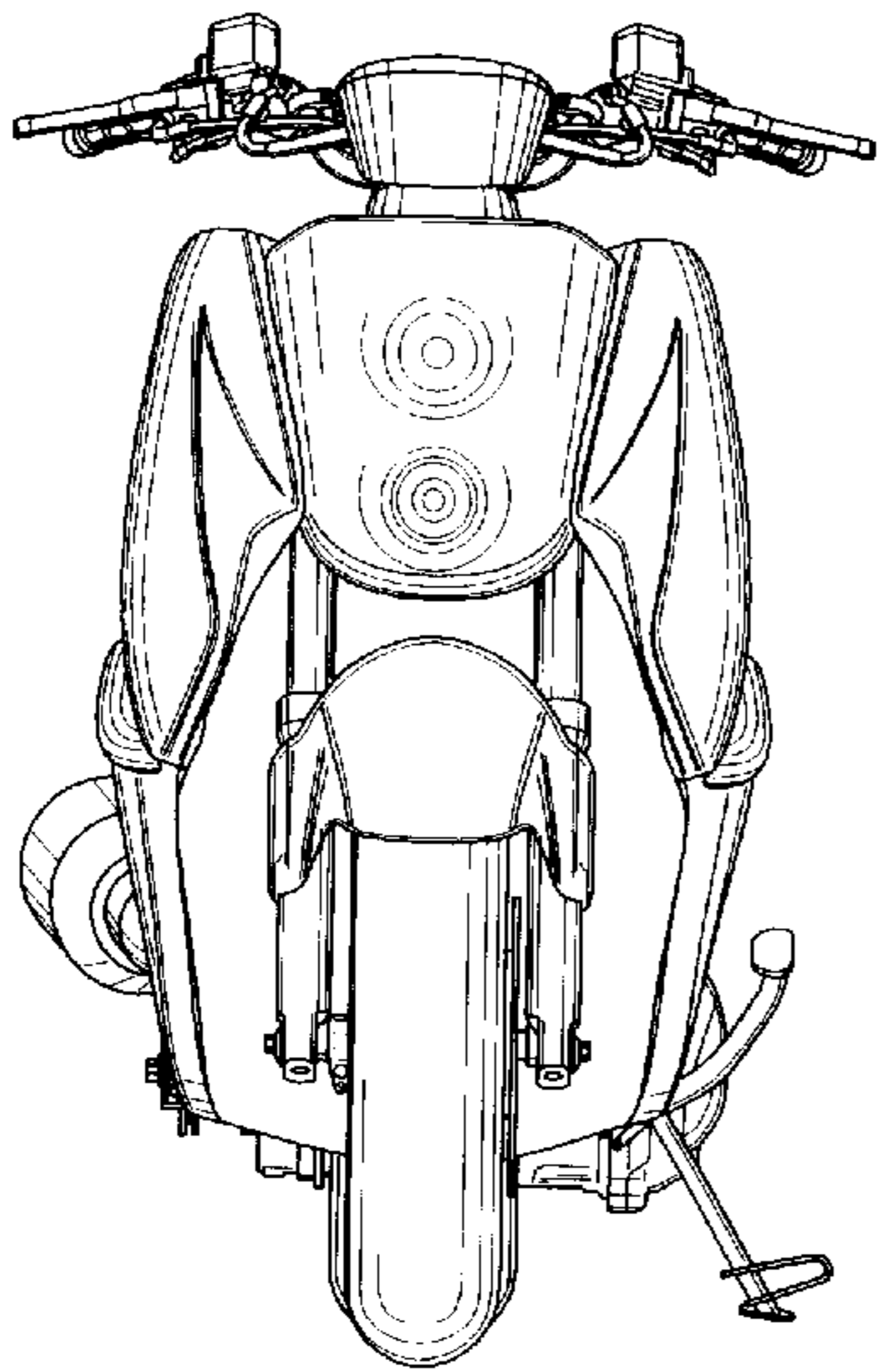


FIG.2

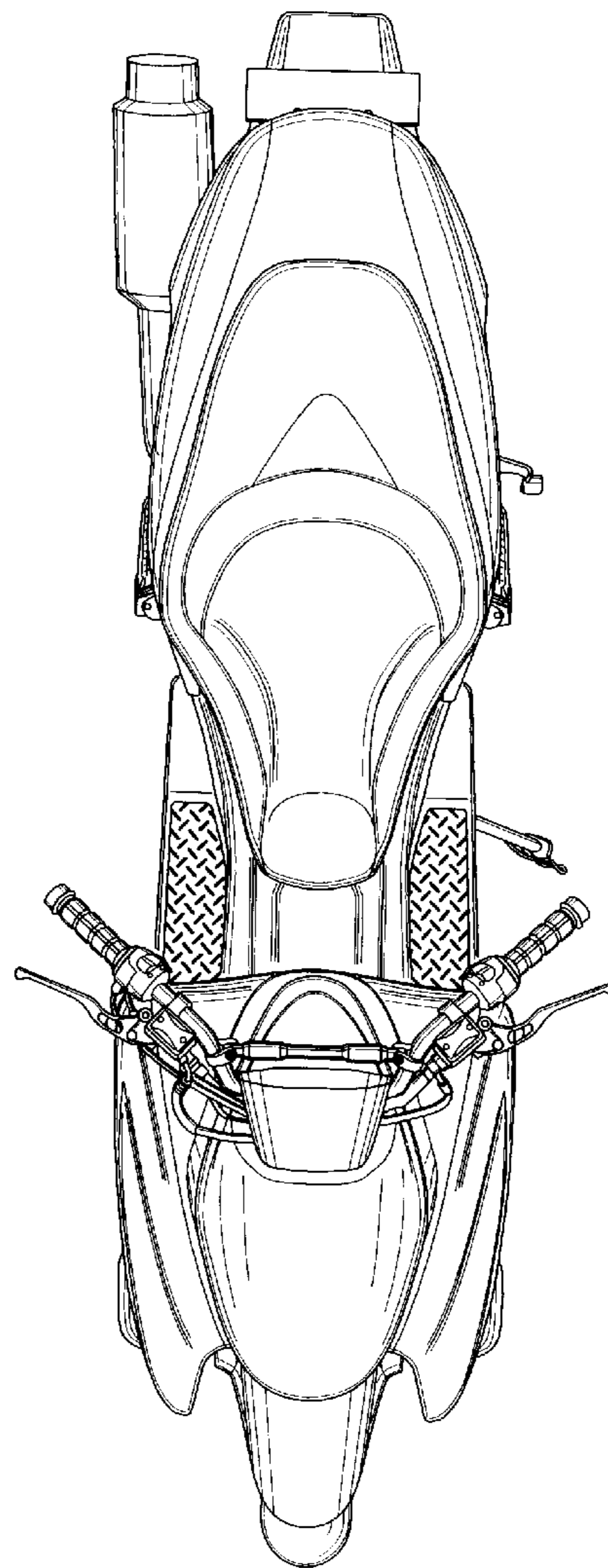


FIG.3

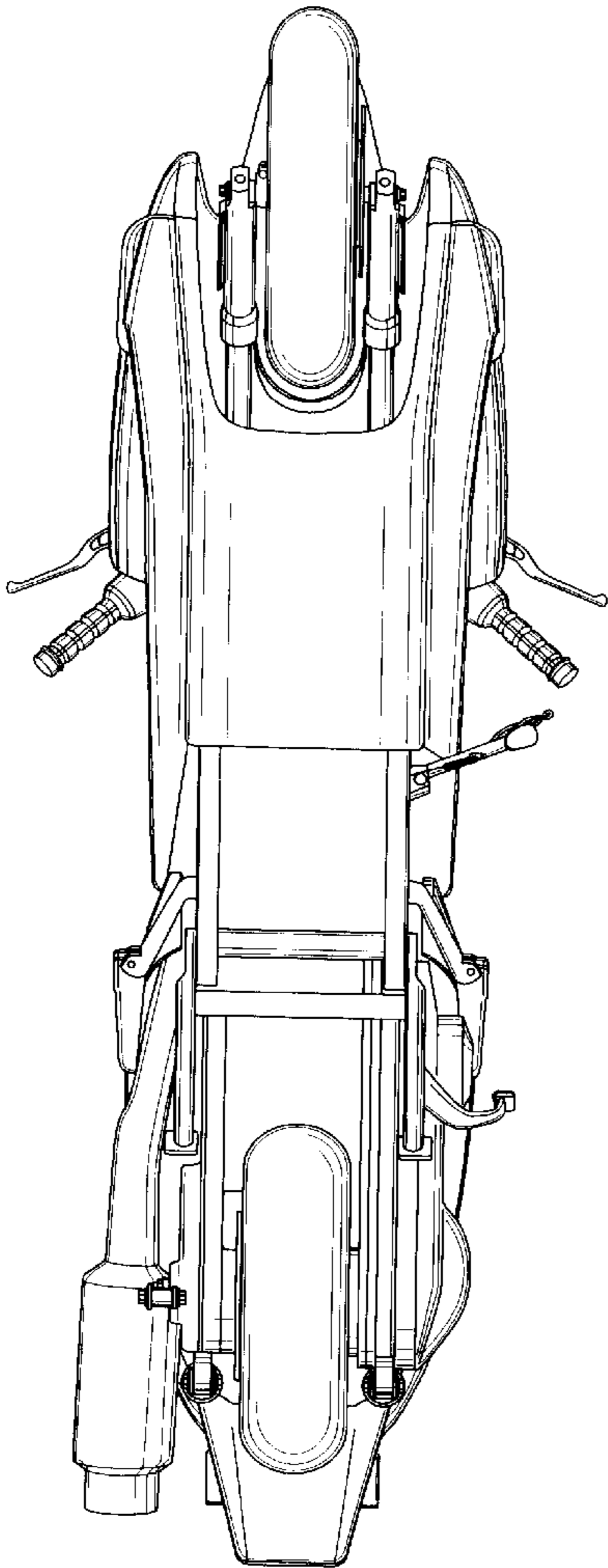


FIG.4

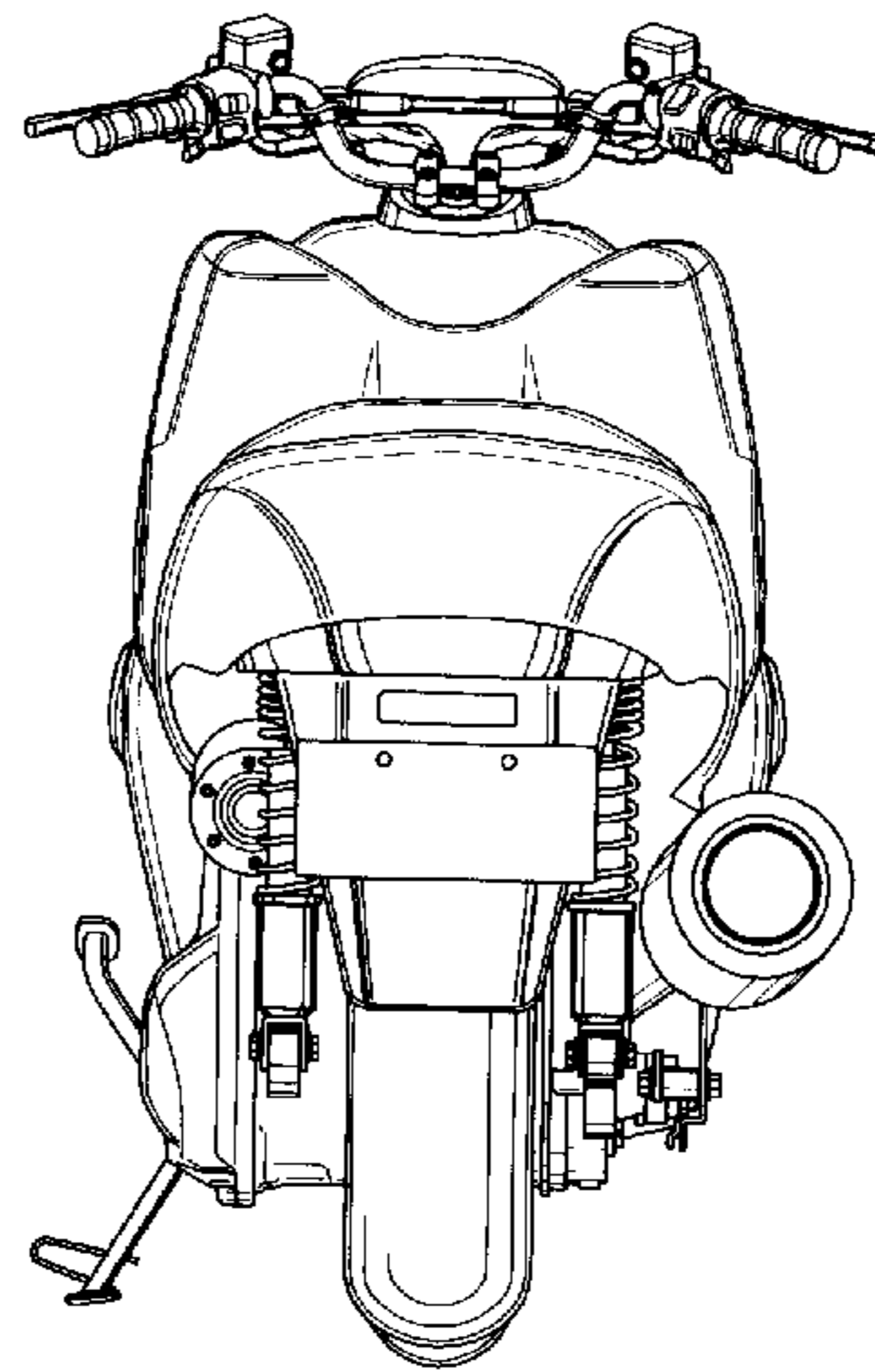


FIG.5

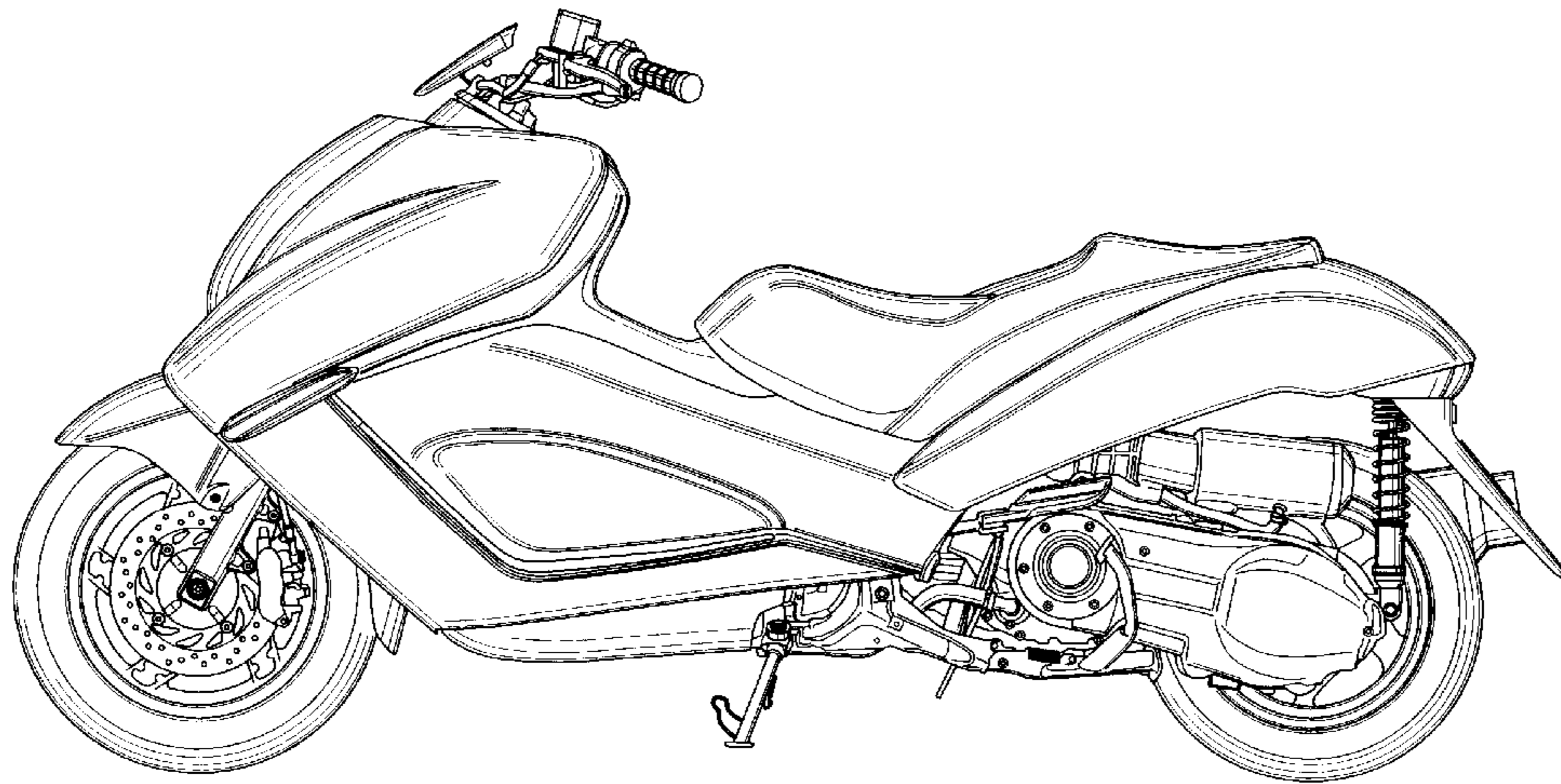


FIG.6

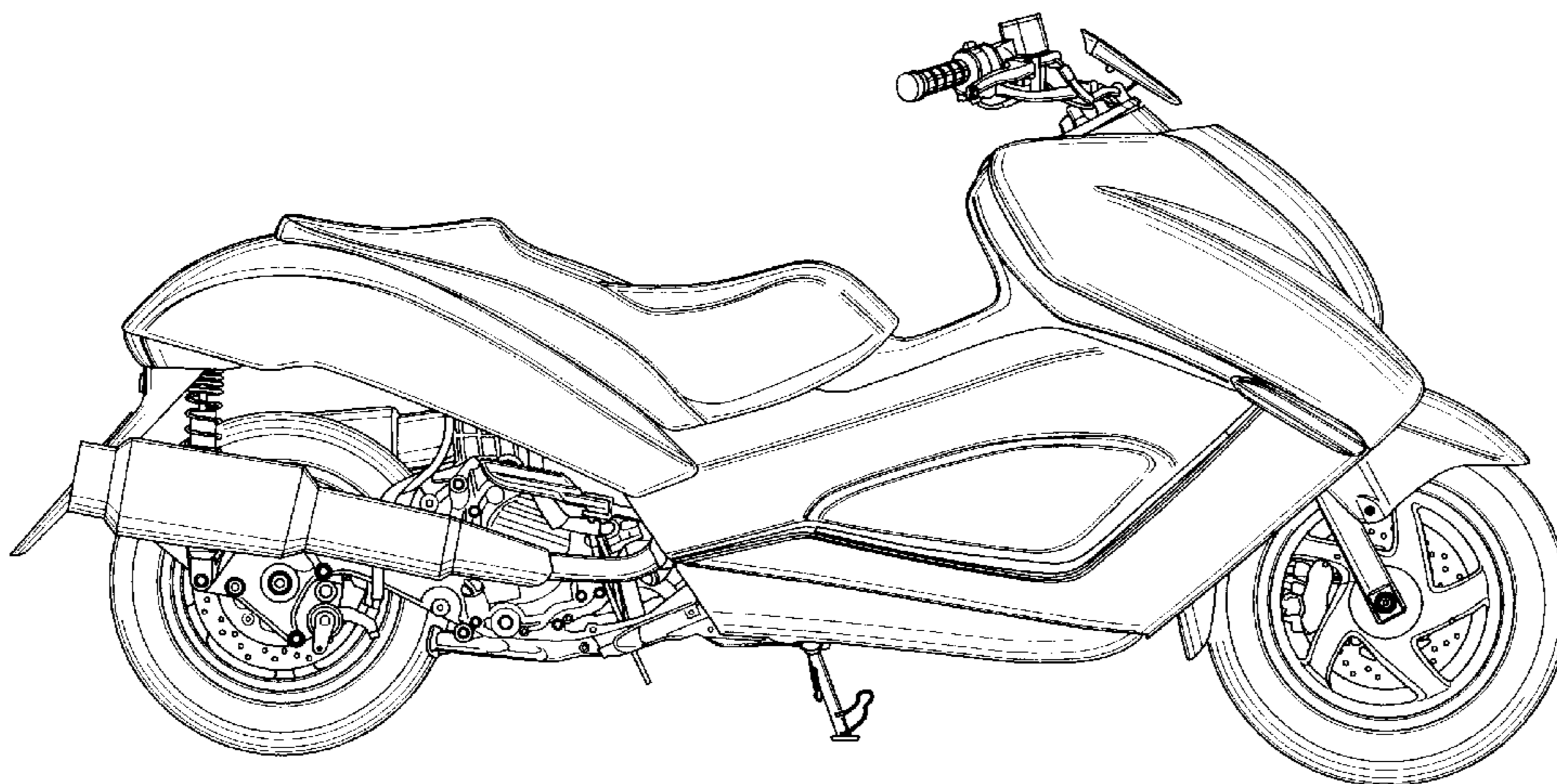


FIG.7

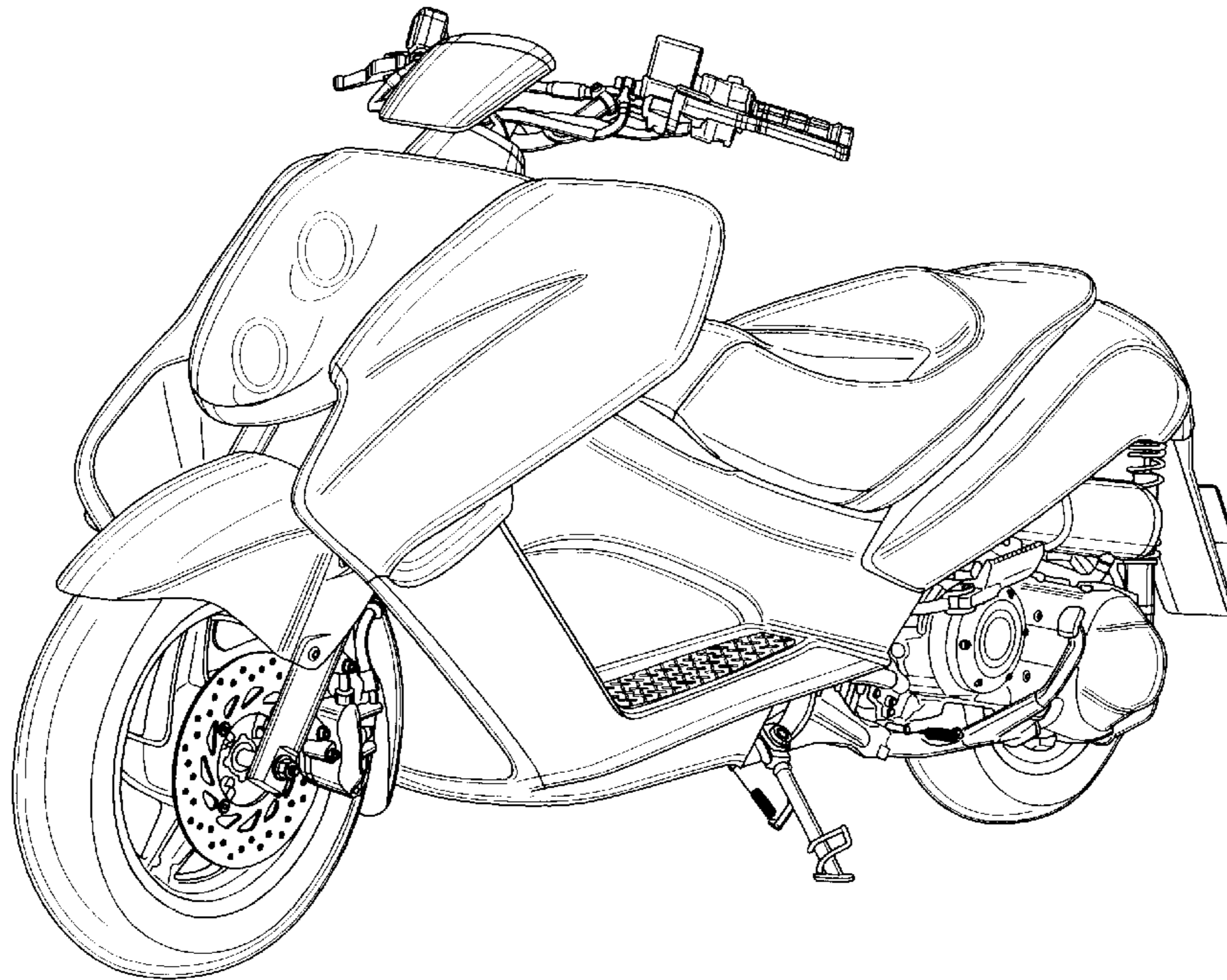


FIG.8

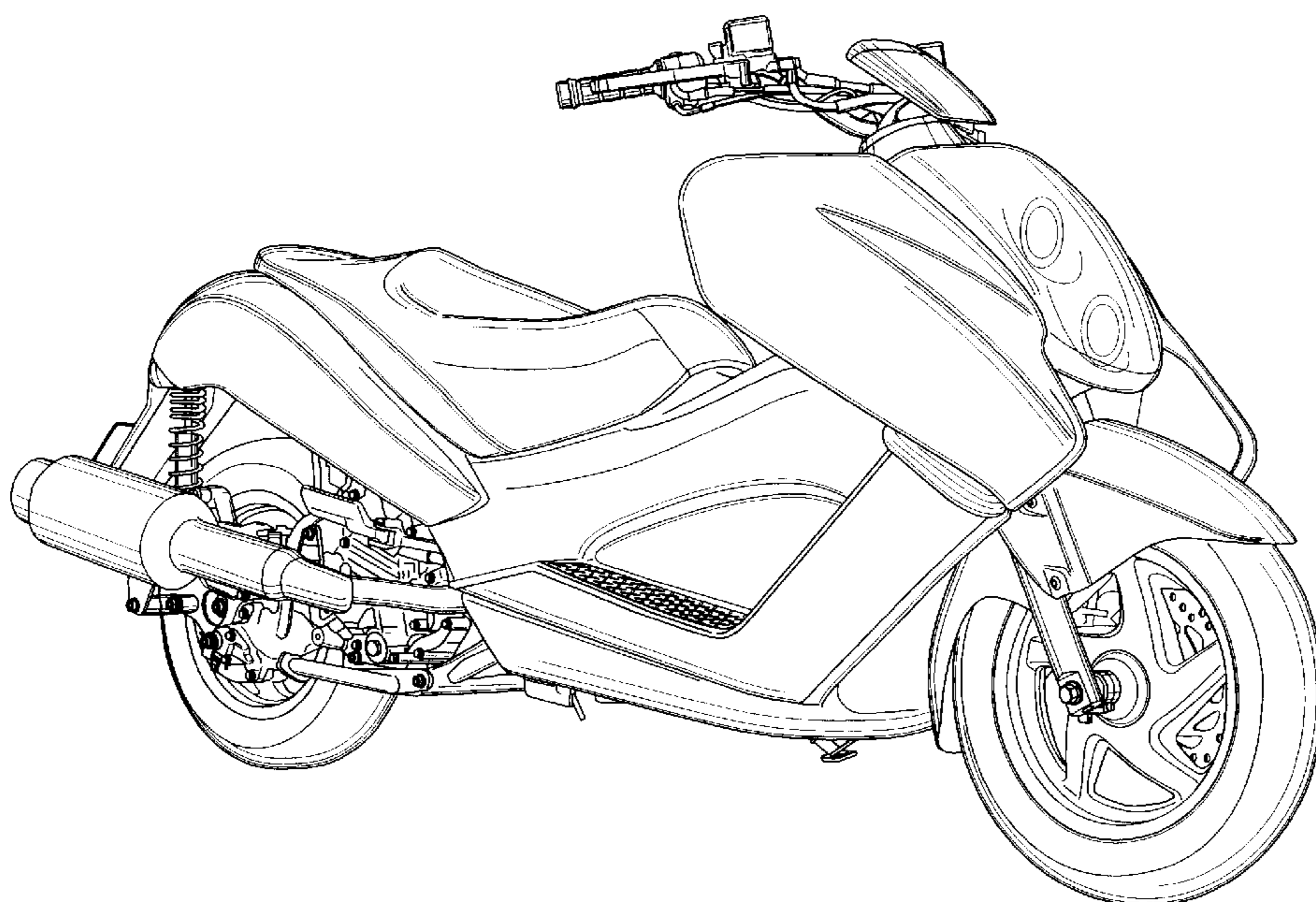


FIG.9

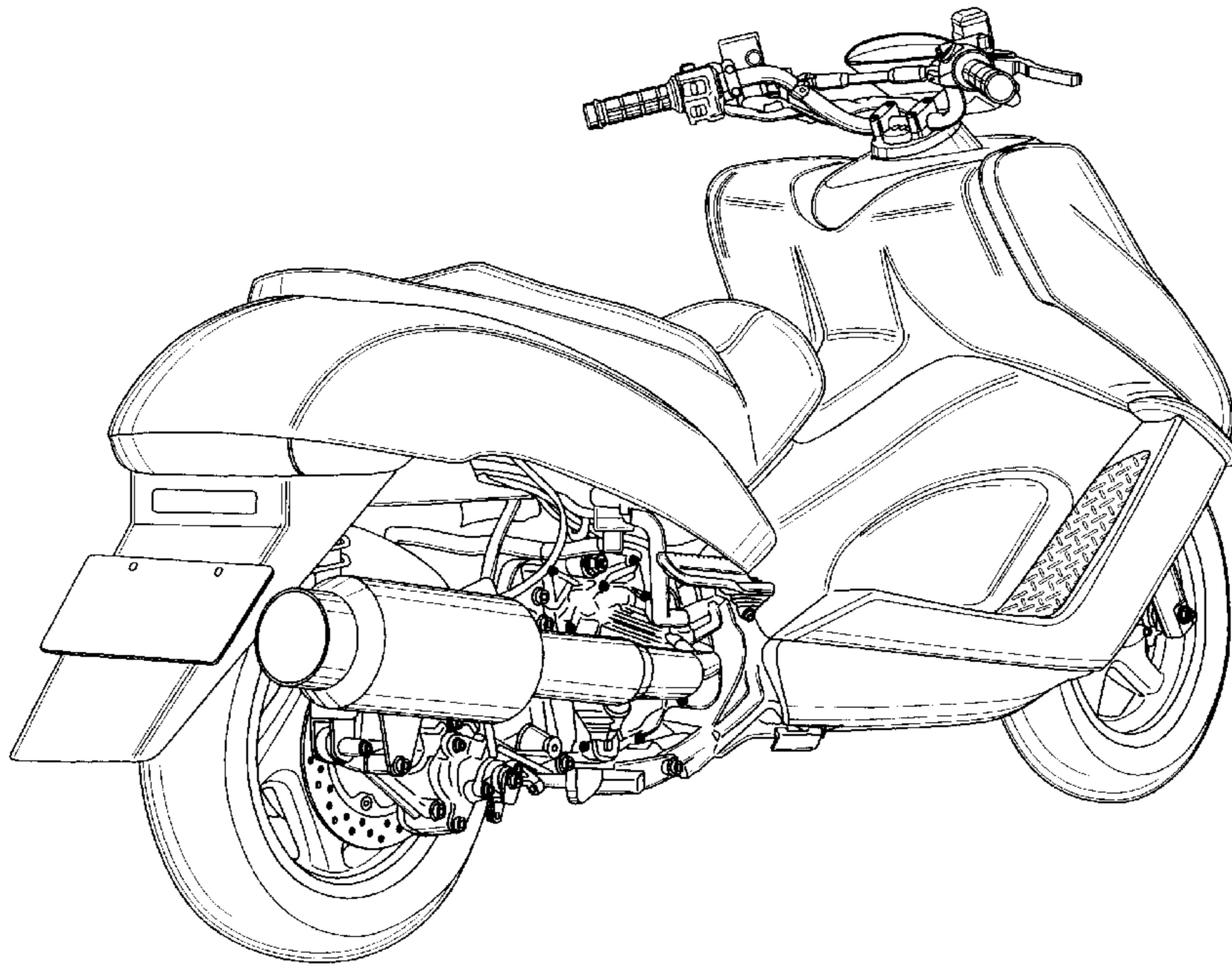


FIG.10

