



US00D541193S

(12) **United States Design Patent**
Hart et al.

(10) **Patent No.:** **US D541,193 S**
(45) **Date of Patent:** **** Apr. 24, 2007**

(54) **FREIGHT RAILROAD CAR REFLECTOR**

(75) Inventors: **Daniel L. Hart**, Antioch, IL (US); **John D. Anderson**, Aurora, IL (US); **Walter J. Peach**, South Elgin, IL (US)

(73) Assignee: **ZefTek, Inc.**, Montgomery, IL (US)

(**) Term: **14 Years**

(21) Appl. No.: **29/246,211**

(22) Filed: **Mar. 22, 2006**

(51) **LOC (8) Cl.** **12-03**

(52) **U.S. Cl.** **D12/42; D10/111**

(58) **Field of Classification Search** 105/355,
105/378, 377.5, 372; 49/404; 280/403; 16/96 R;
D8/349, 371, 354, 356, 373, 404, 14, 353;
D12/41, 42, 45, 47, 48, 51, 20, 36, 37, 38,
D12/43, 40, 345, 106, 114, 133, 1; 246/474,
246/166; D10/111, 112, 113, 107; 362/609,
362/514-7, 215, 241, 243, 245, 247, 608,
362/485, 478; 404/16; D26/118, 28; 359/855,
359/520, 215, 533, 548, 549, 553, 528; 40/582;
119/858

See application file for complete search history.

(56) **References Cited**

U.S. PATENT DOCUMENTS

730,361 A * 6/1903 Fyfe 359/520
2,551,193 A * 5/1951 Williams 116/52
4,784,068 A 11/1988 Burke

(Continued)

OTHER PUBLICATIONS

ZefTek Product Guide, published Jan. 2003.
ZefTek Car Parts Brochure, published Aug. 1998.

(Continued)

Primary Examiner—Louis S. Zarfes
Assistant Examiner—Anna K. Dworzecka

(74) *Attorney, Agent, or Firm*—Bell, Boyd & Lloyd LLP

(57) **CLAIM**

The ornamental design for a freight railroad car reflector, as shown and described.

DESCRIPTION

This application relates to the following co-pending commonly owned patent applications: “Freight Railroad Car Reflector,” Ser. No. 11/277,216; and “Freight Railroad Car Reflector,” Ser. No. 29/246,213.

FIG. 1 is a front perspective view of one embodiment of the freight railroad car reflector showing our new design;

FIG. 2 is a rear perspective view of FIG. 1;

FIG. 3 is a front view of FIG. 1;

FIG. 4 is a rear view of FIG. 1;

FIG. 5 is a top plan view of FIG. 1 the bottom being a mirror image;

FIG. 6 is a left side elevation view of FIG. 1, the right side being a mirror image;

FIG. 7 is a front perspective view of a modified embodiment;

FIG. 8 is a rear perspective view of FIG. 7;

FIG. 9 is a front view of FIG. 7;

FIG. 10 is a rear view of FIG. 7;

FIG. 11 is a top plan view of FIG. 7 the bottom being a mirror image;

FIG. 12 is a left side elevation view of FIG. 7 the right side being a mirror image.

FIG. 13 is a front perspective view of another modified embodiment;

FIG. 14 is a rear perspective view of FIG. 13;

FIG. 15 is a front view of FIG. 13;

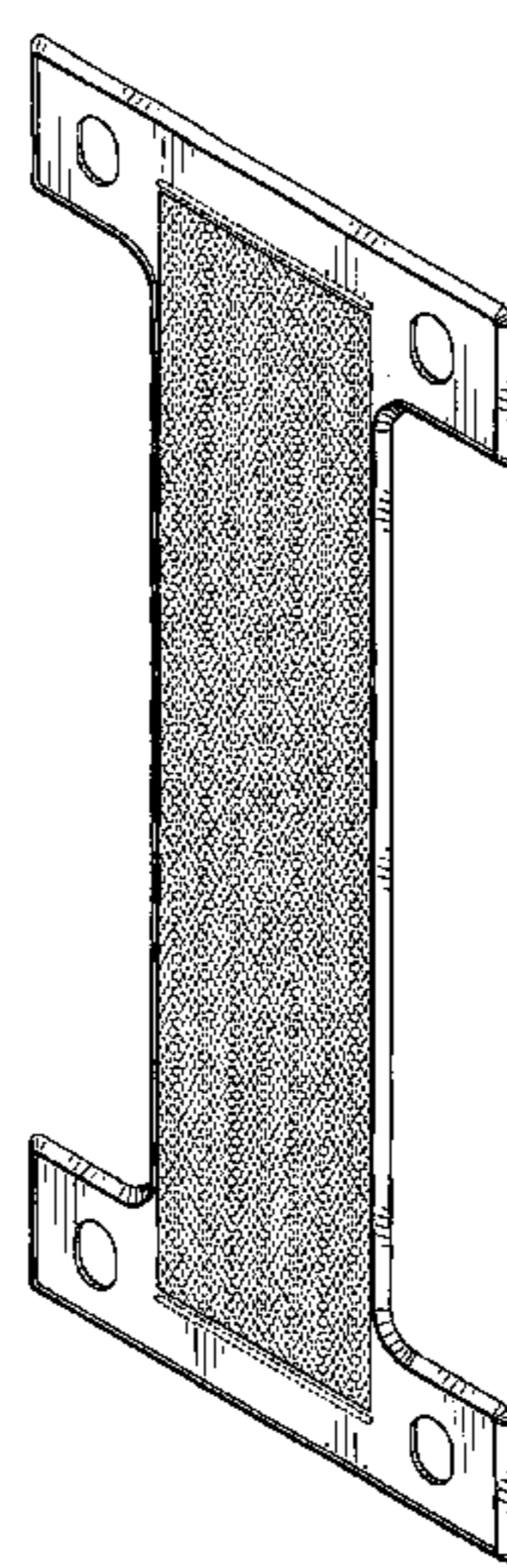
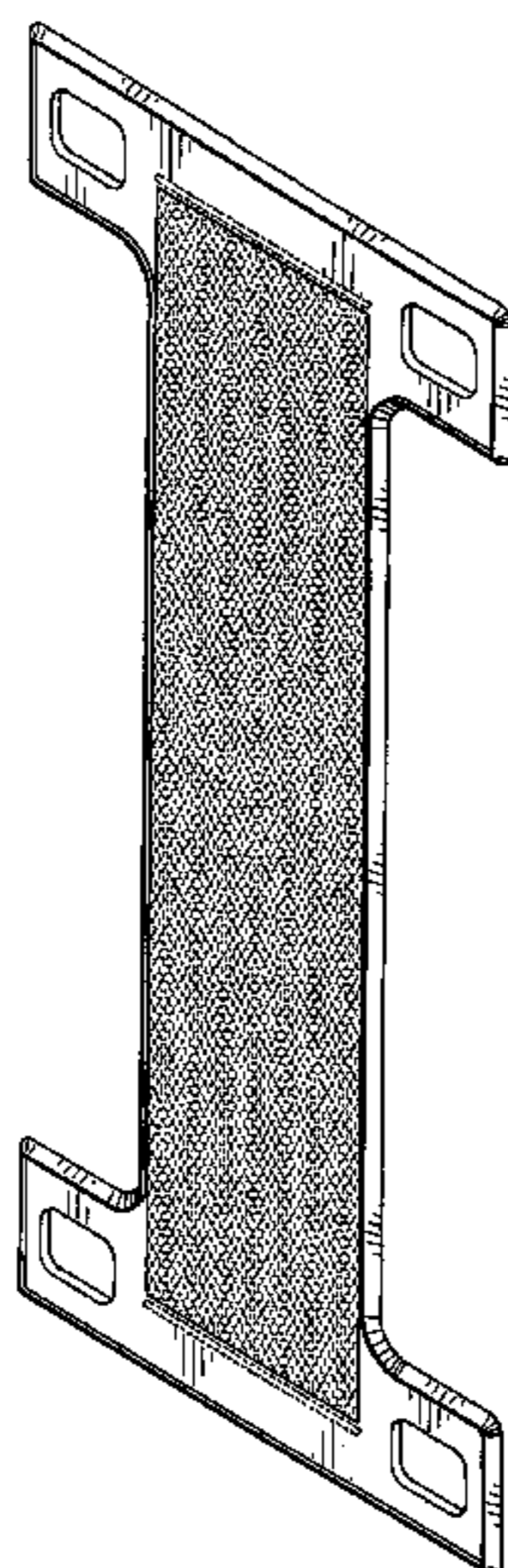
FIG. 16 is a rear view of FIG. 13;

FIG. 17 is a top plan view of FIG. 13 the bottom being a mirror image; and,

FIG. 18 is a left side elevation view of FIG. 13 the right side being a mirror image.

The broken line(s) which define the bounds of the claimed design form no part thereof.

1 Claim, 15 Drawing Sheets



US D541,193 S

Page 2

U.S. PATENT DOCUMENTS

4,913,062 A 4/1990 Burke
5,239,933 A 8/1993 Murphy et al.
5,415,108 A 5/1995 Murphy et al.
D369,568 S * 5/1996 Sloop D10/111
5,579,697 A 12/1996 Burke
5,687,650 A 11/1997 Murphy et al.
5,694,859 A 12/1997 Burke et al.
5,701,825 A 12/1997 Peach, Jr.
D412,131 S * 7/1999 Bent et al. D10/113
6,553,917 B1 4/2003 Burke et al.
6,561,740 B1 5/2003 Burke et al.
7,048,391 B2 * 5/2006 Greves 359/516

OTHER PUBLICATIONS

ZefTek Cost Cutting Car Components Brochure.
Holland Transportation Technology Rail Car Components Brochure.
The Holland Company Freight Car Components Brochure.
Federal Register, Department of Transportation, vol. 70, No. 1 dated Jan. 3, 2005.
Salco Products, Inc. Brochure.
Association of American Railroads Circular Letter dated Mar. 1, 2005.
ZefTek Vented and Non-Vented 20" Hatch Covers Pamphlet.

* cited by examiner

FIG.1

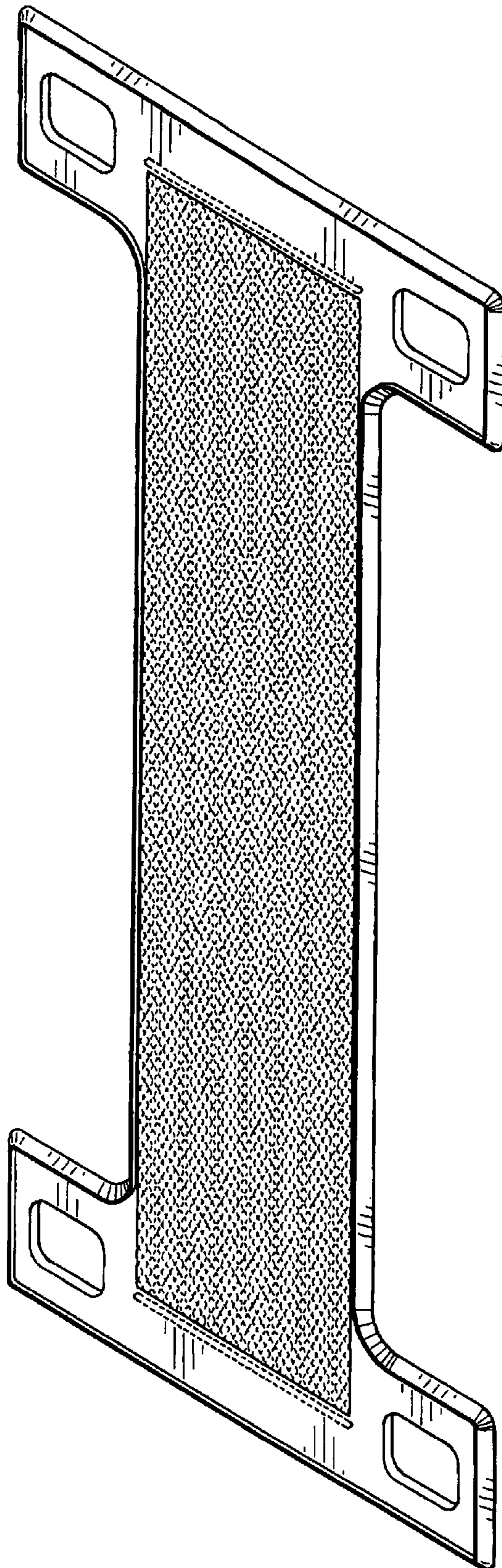


FIG. 2

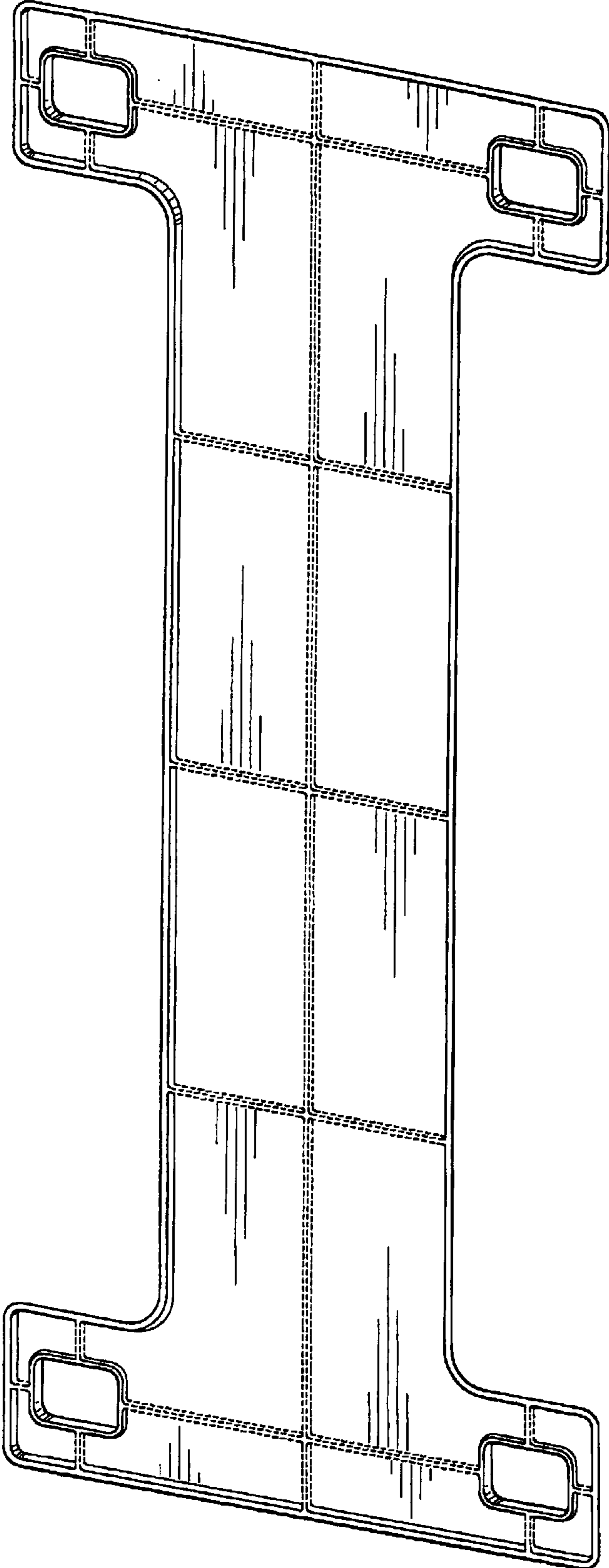


FIG.3

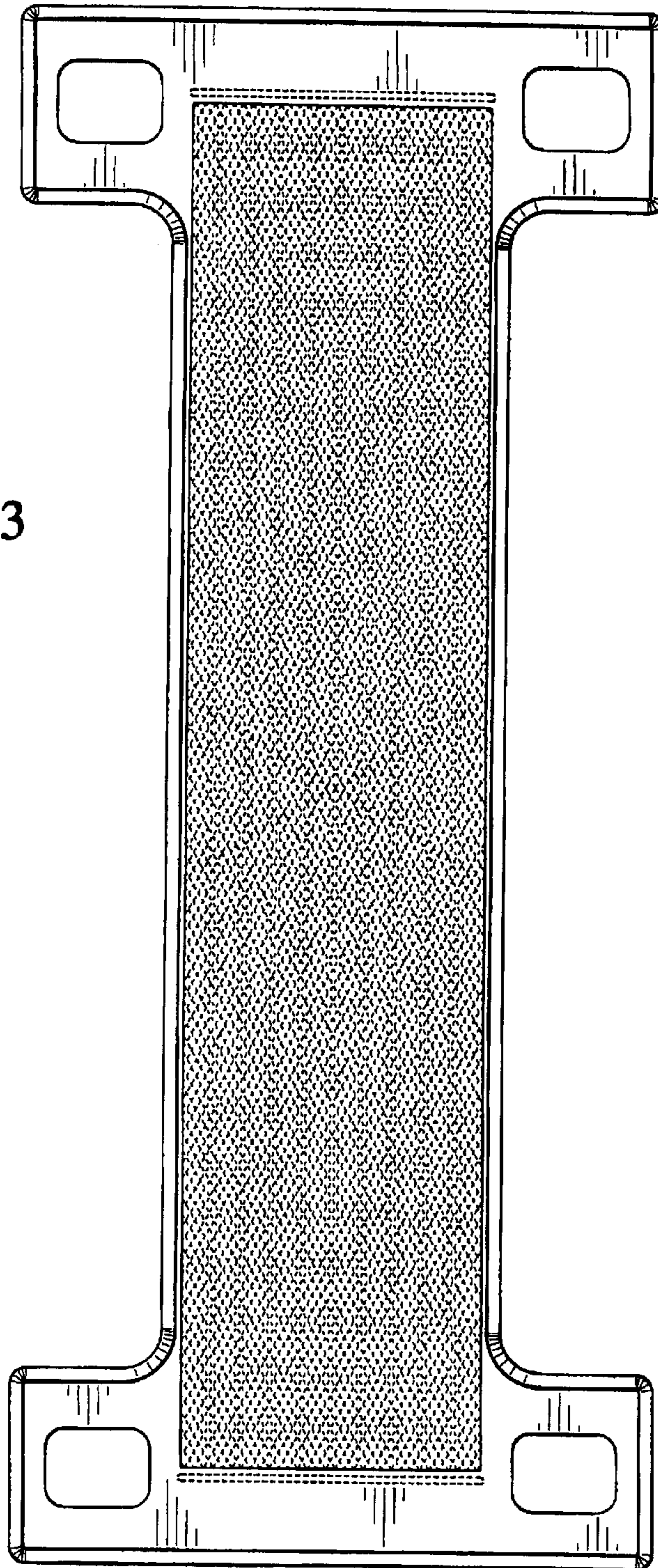


FIG. 4

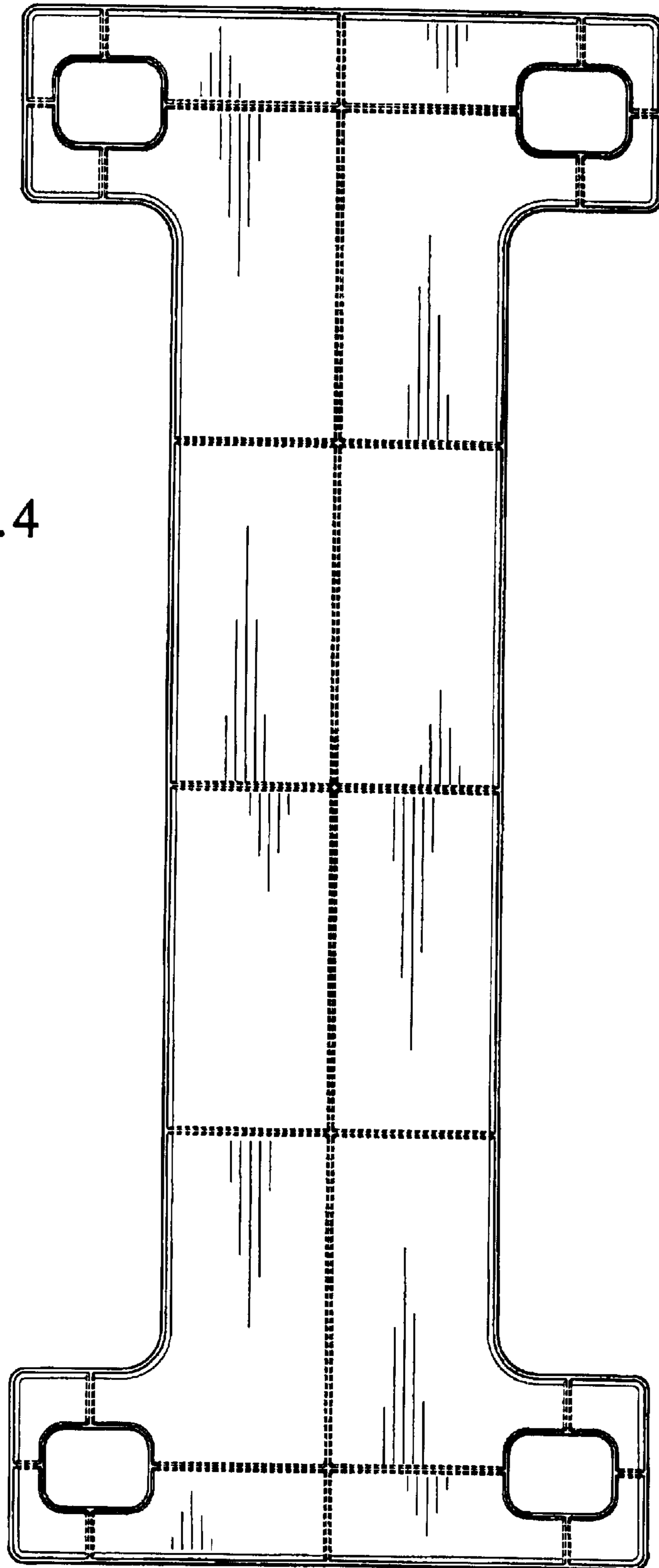


FIG. 5

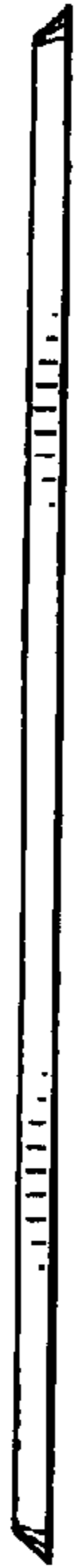


FIG. 6



FIG. 7

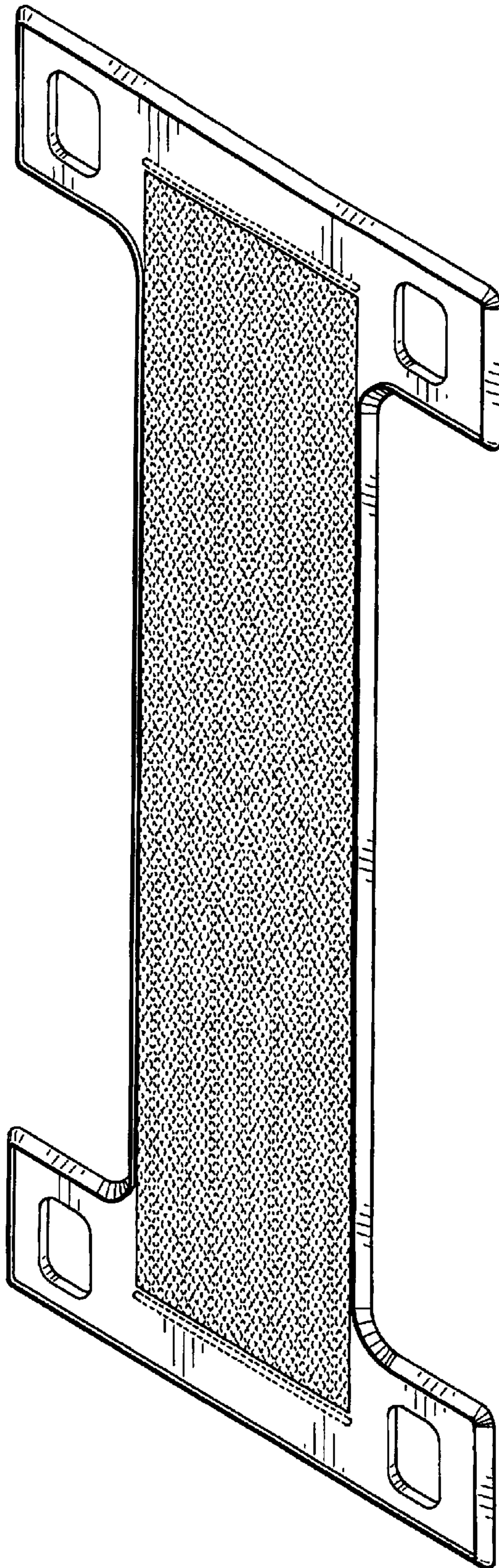
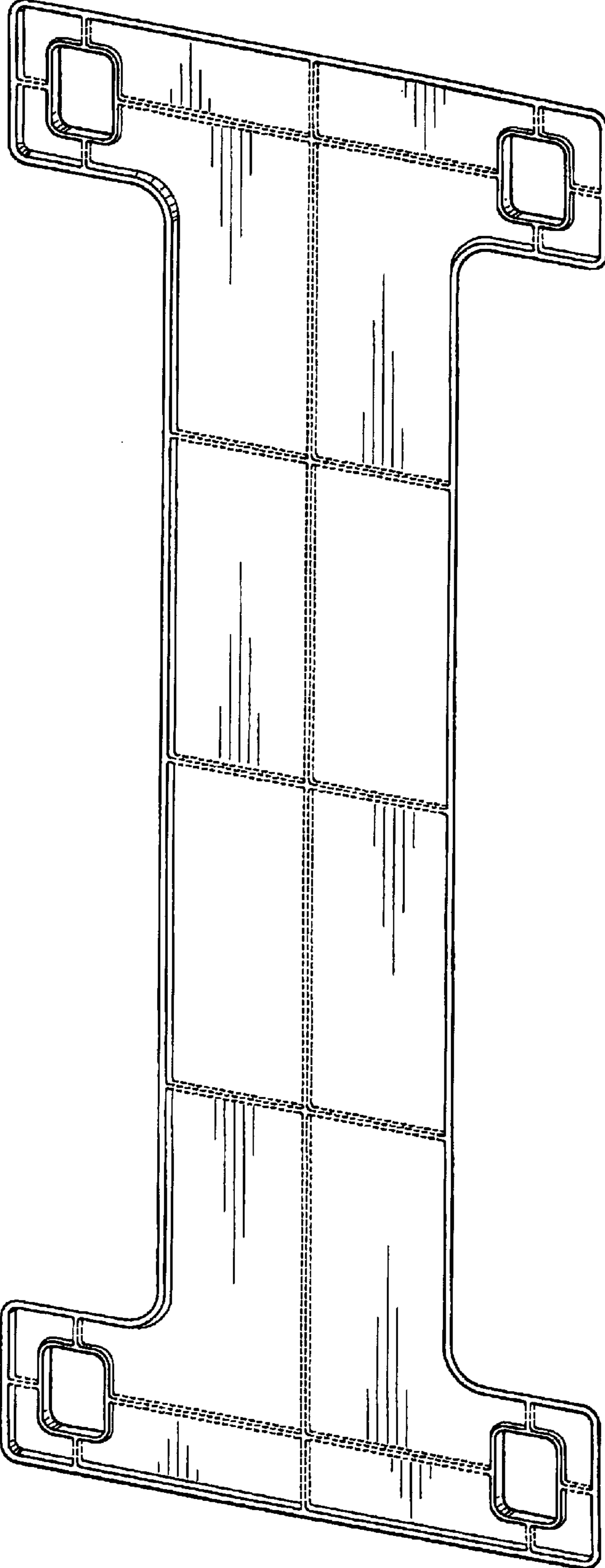


FIG.8



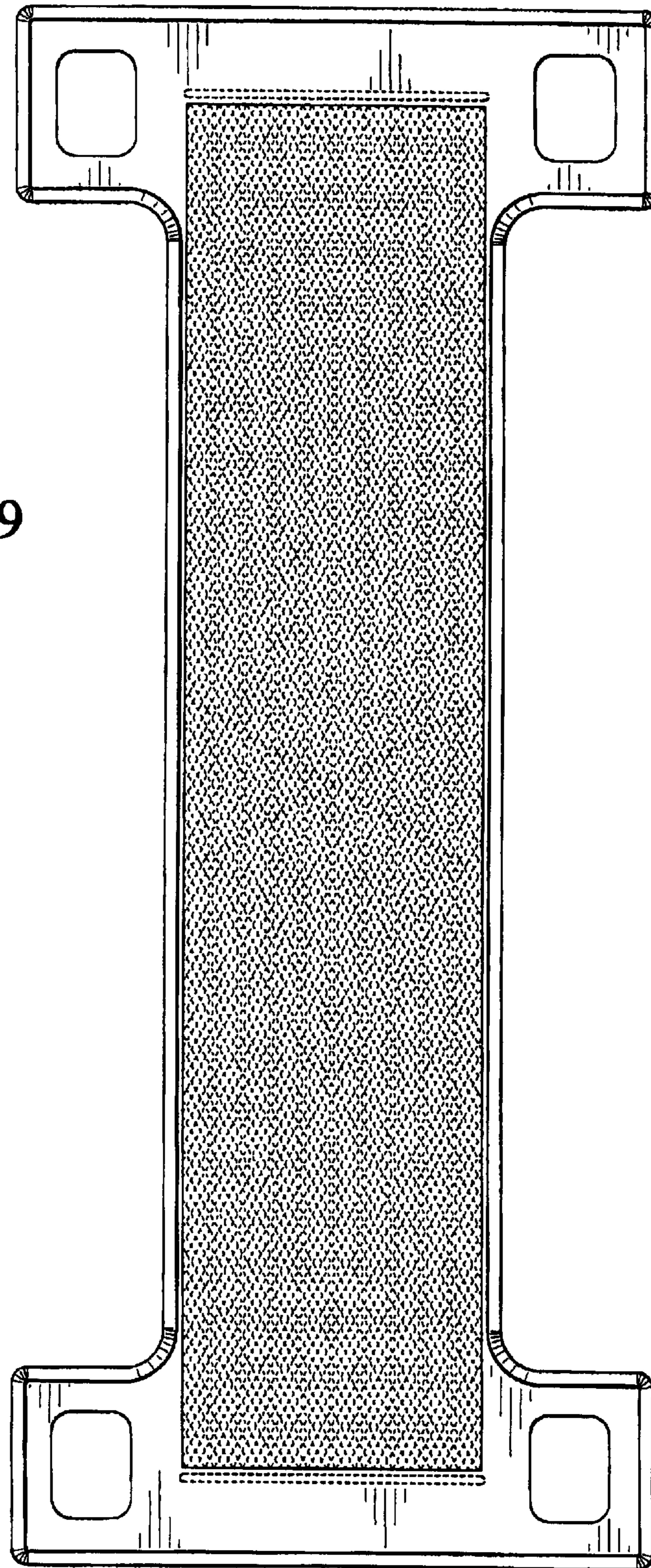


FIG. 9

FIG.10

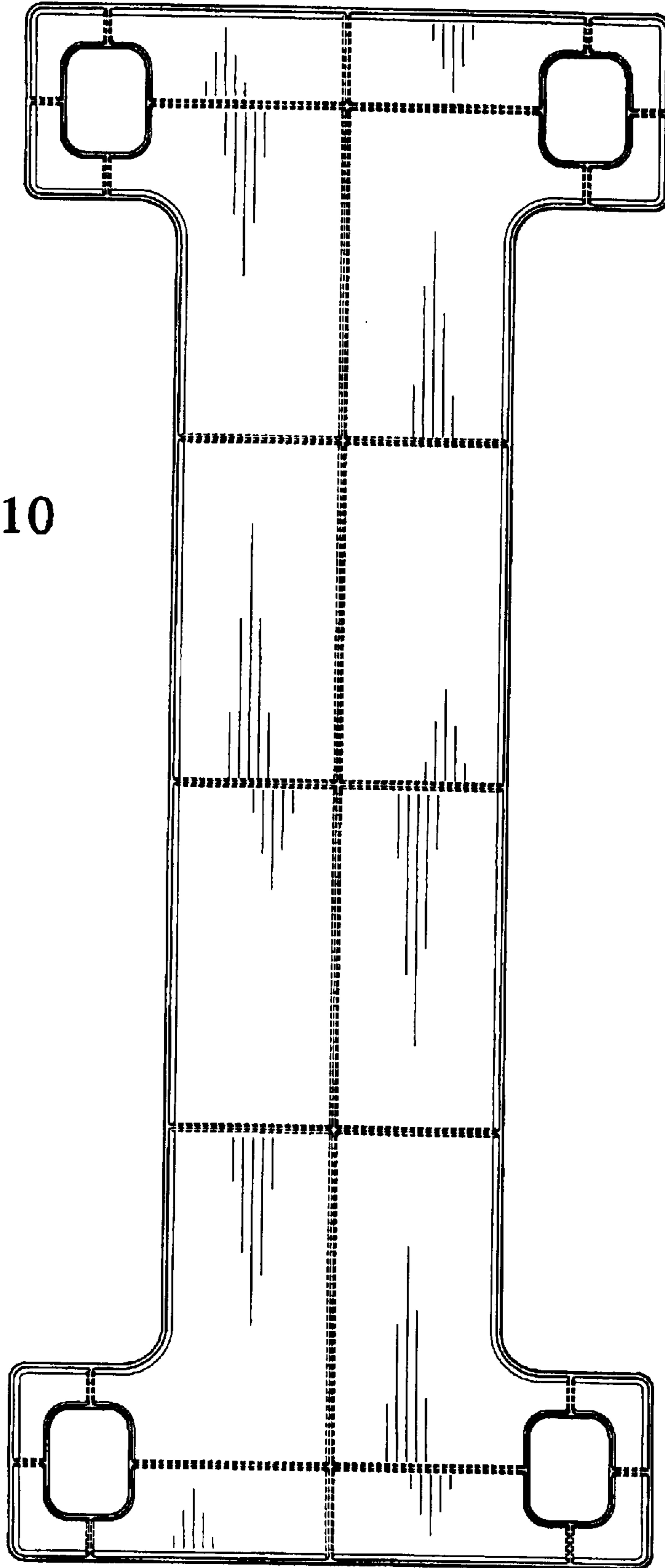


FIG.11



FIG.12



FIG.13

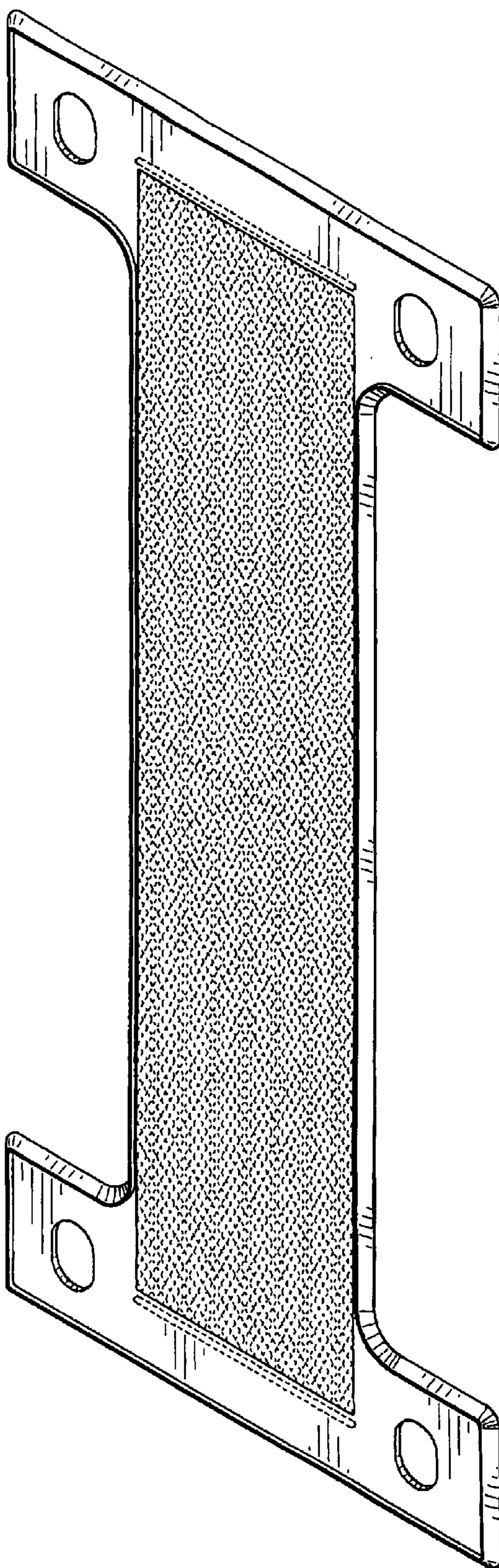
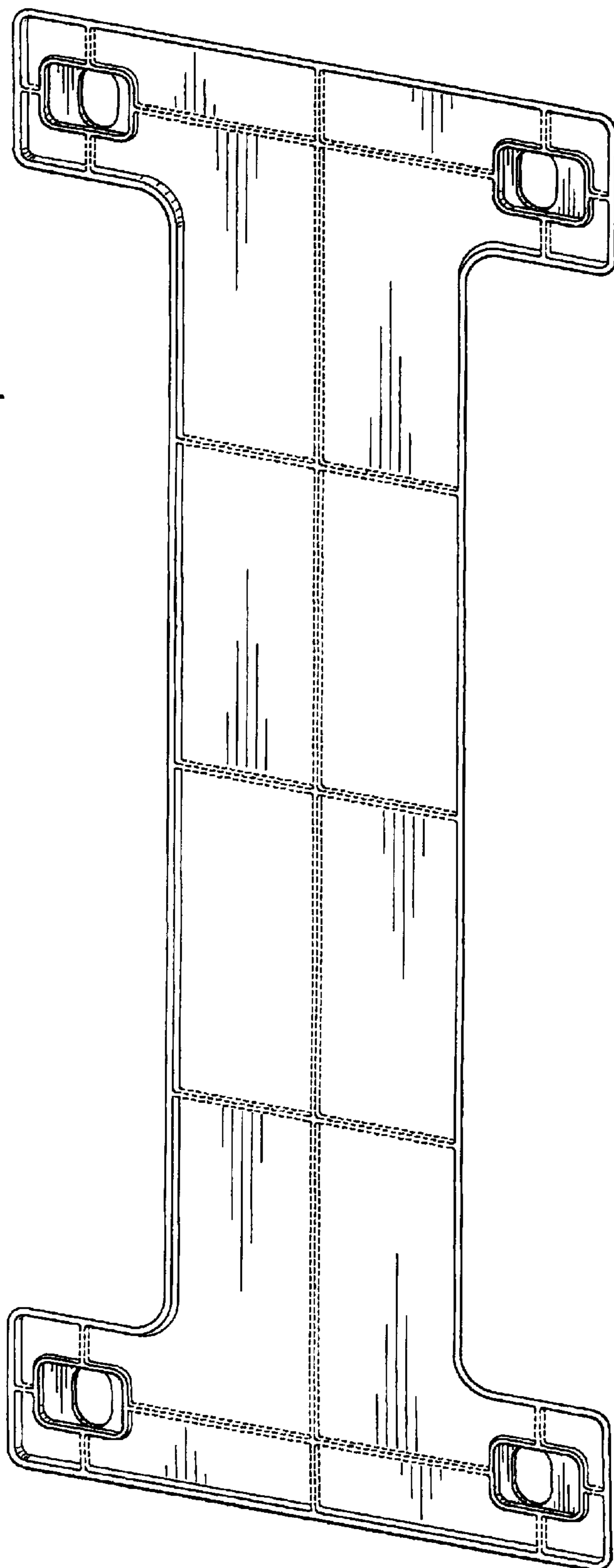


FIG.14



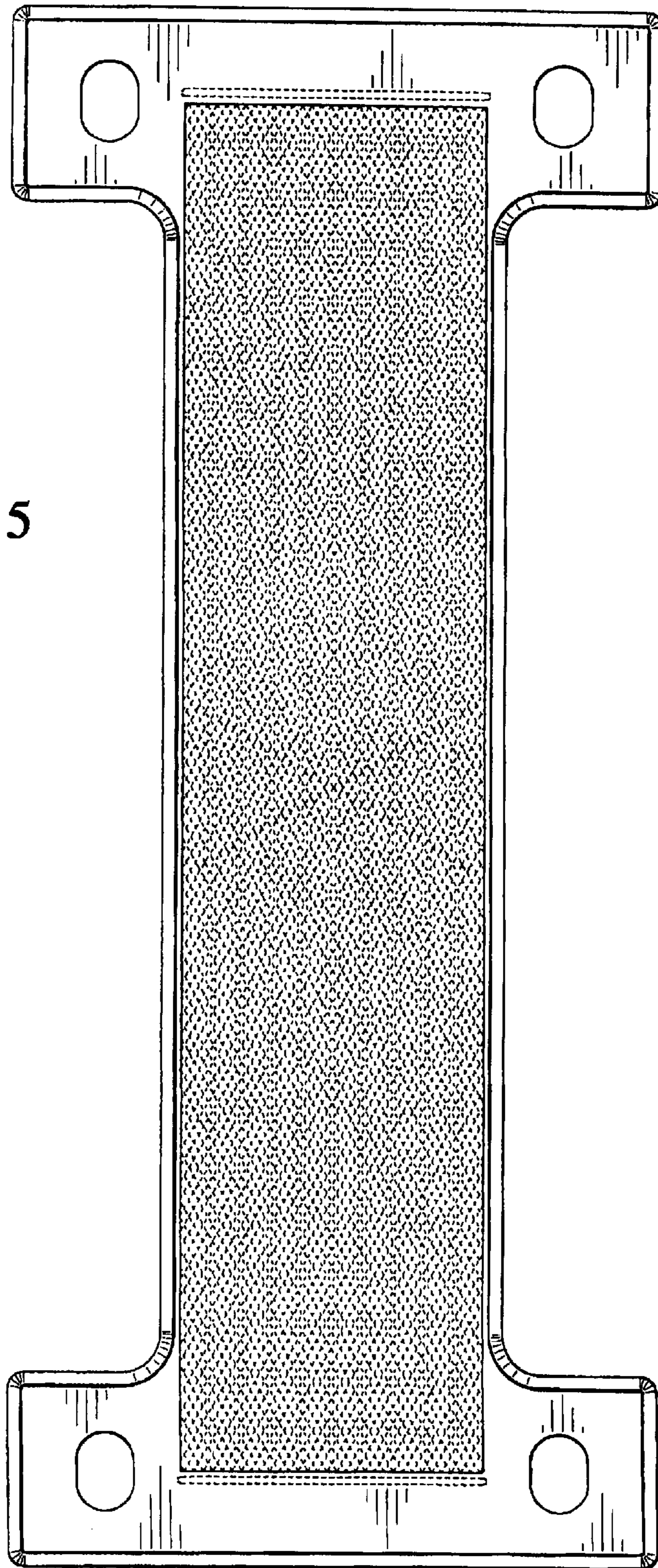


FIG.15

FIG. 16

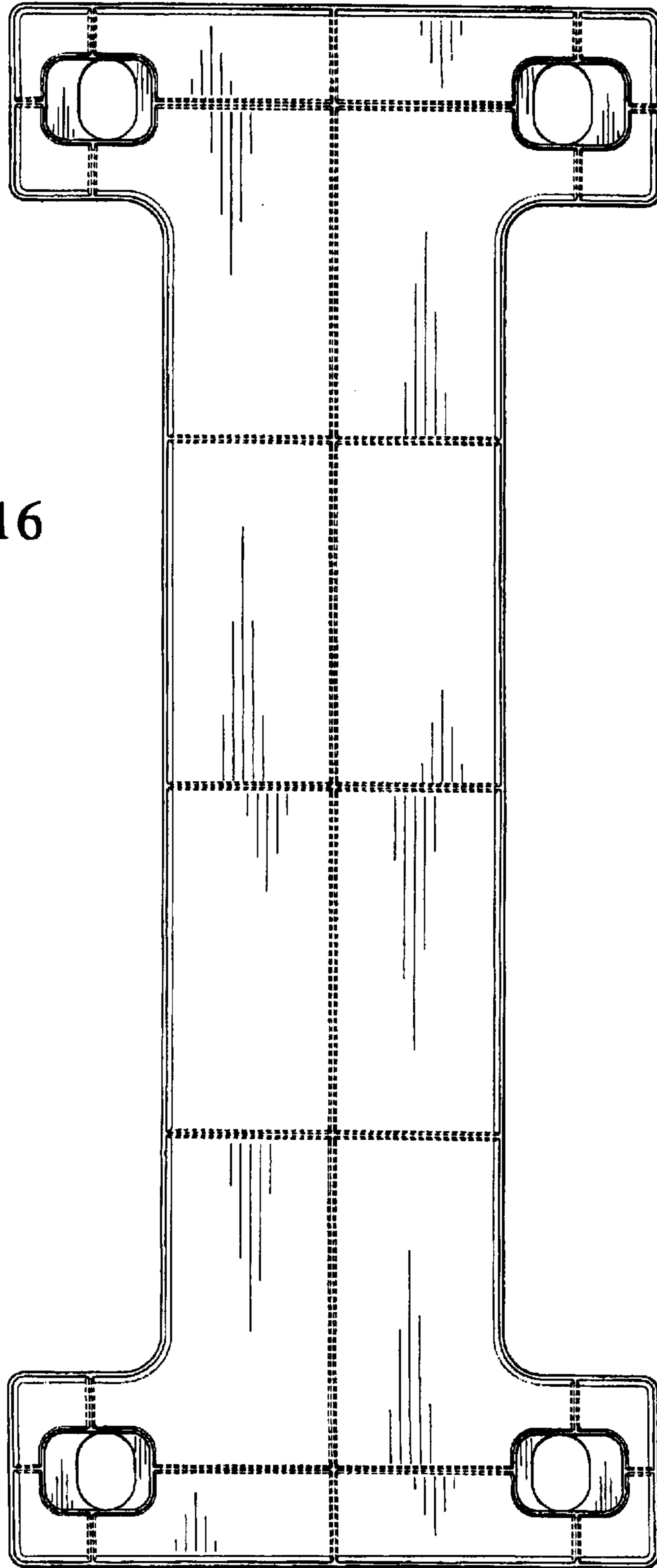


FIG.17



FIG.18

