

US00D541191S

(12) **United States Design Patent**
Martin, III et al.

(10) **Patent No.: US D541,191 S**

(45) **Date of Patent: ** Apr. 24, 2007**

(54) **BELT BUCKLE**

(76) Inventors: **Kenneth Paul Martin, III**, 2721 Bond St., Santa Rosa, CA (US) 95907;
Chance Lloyd Mills, 75 Francis Cir., Rohnert Park, CA (US) 94928

(**) Term: **14 Years**

(21) Appl. No.: **29/237,813**

(22) Filed: **Sep. 6, 2005**

(51) **LOC (8) Cl.** **02-07**

(52) **U.S. Cl.** **D11/231**

(58) **Field of Classification Search** D11/200-241;
24/163 K, 198, 163 R, 23 B; 40/21 C
See application file for complete search history.

(56) **References Cited**

U.S. PATENT DOCUMENTS

D301,702 S	*	6/1989	Peterson	D11/230
D451,843 S	*	12/2001	Gruosi	D11/231
D454,519 S	*	3/2002	Gruosi	D11/231

* cited by examiner

Primary Examiner—Catherine R. Oliver

(74) *Attorney, Agent, or Firm*—Dergosits & Noah LLP

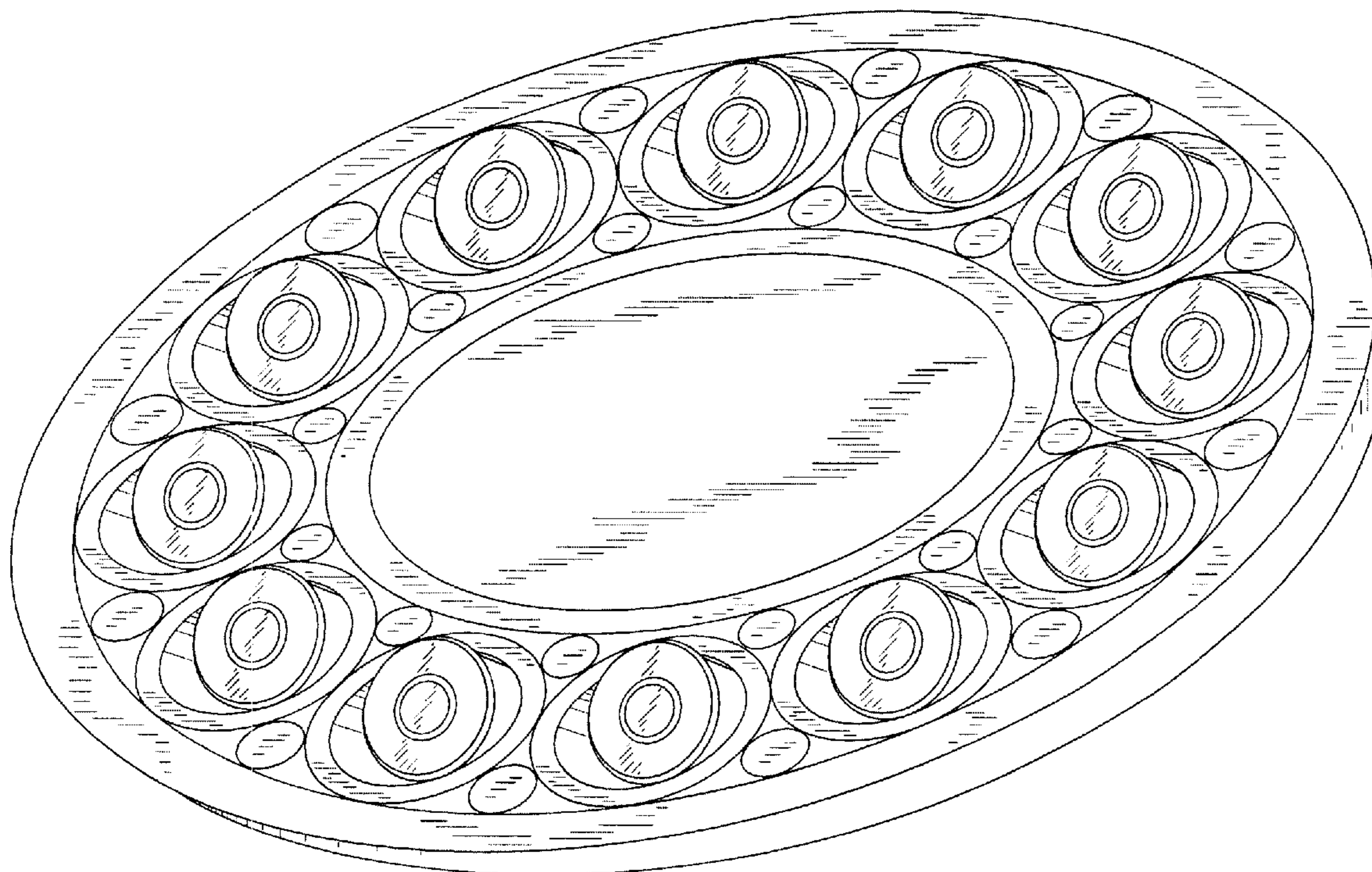
(57) **CLAIM**

The ornamental design for a belt buckle, as shown and described.

DESCRIPTION

FIG. 1 is a perspective view of a belt buckle, according to a preferred embodiment of the present invention; FIG. 2 is a top view of the belt buckle illustrated in FIG. 1, according to the preferred embodiment; FIG. 3 is a bottom view of the belt buckle illustrated in FIG. 1, according to the preferred embodiment; FIG. 4 is a left side view of the belt buckle illustrated in FIG. 1, according to the preferred embodiment; FIG. 5 is a right side view of the belt buckle illustrated in FIG. 1, according to the preferred embodiment; FIG. 6 is a front view of the belt buckle illustrated in FIG. 1, according to the preferred embodiment; and, FIG. 7 is a rear view of the belt buckle illustrated in FIG. 1, according to the preferred embodiment.

1 Claim, 3 Drawing Sheets



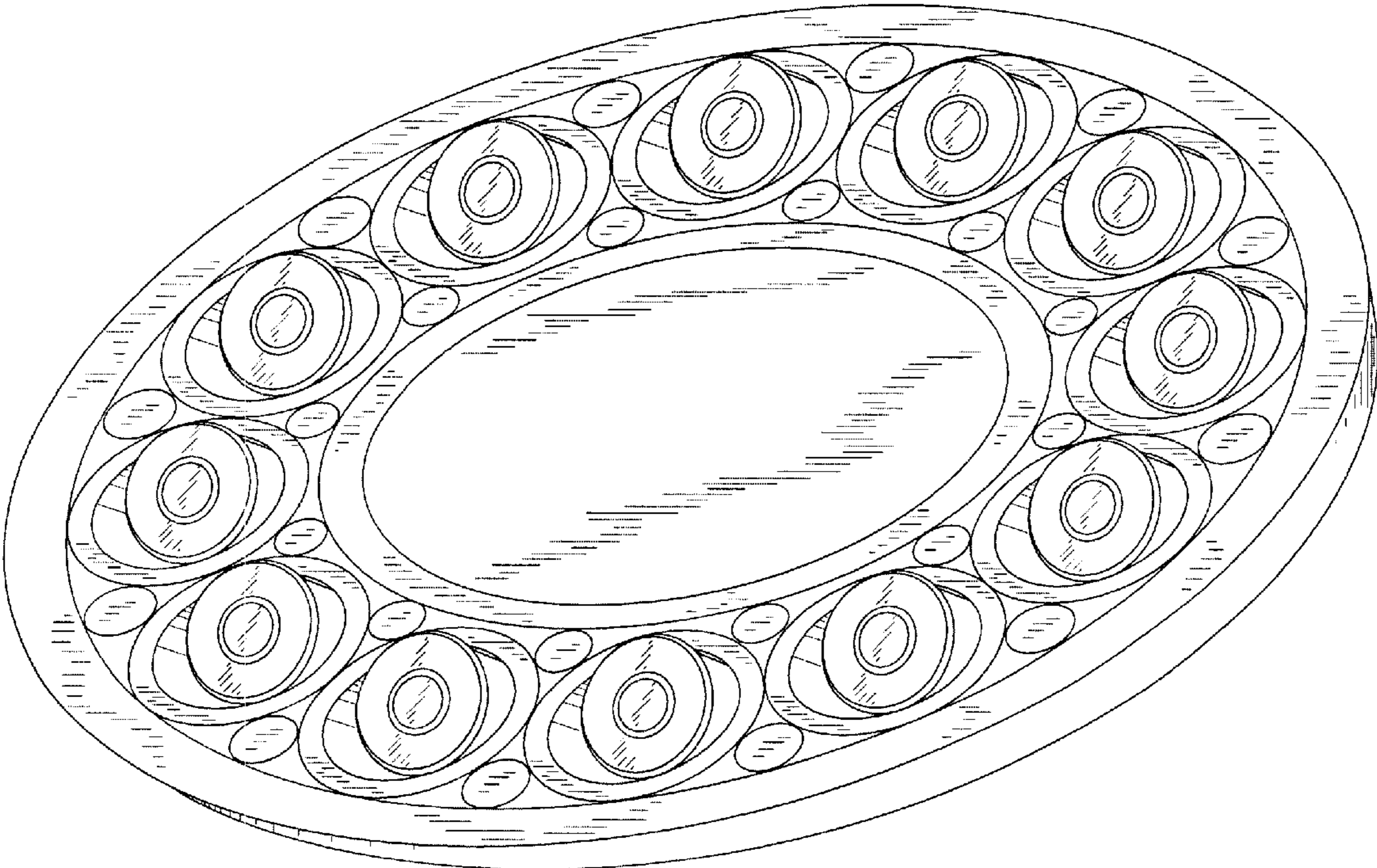


FIG. 1

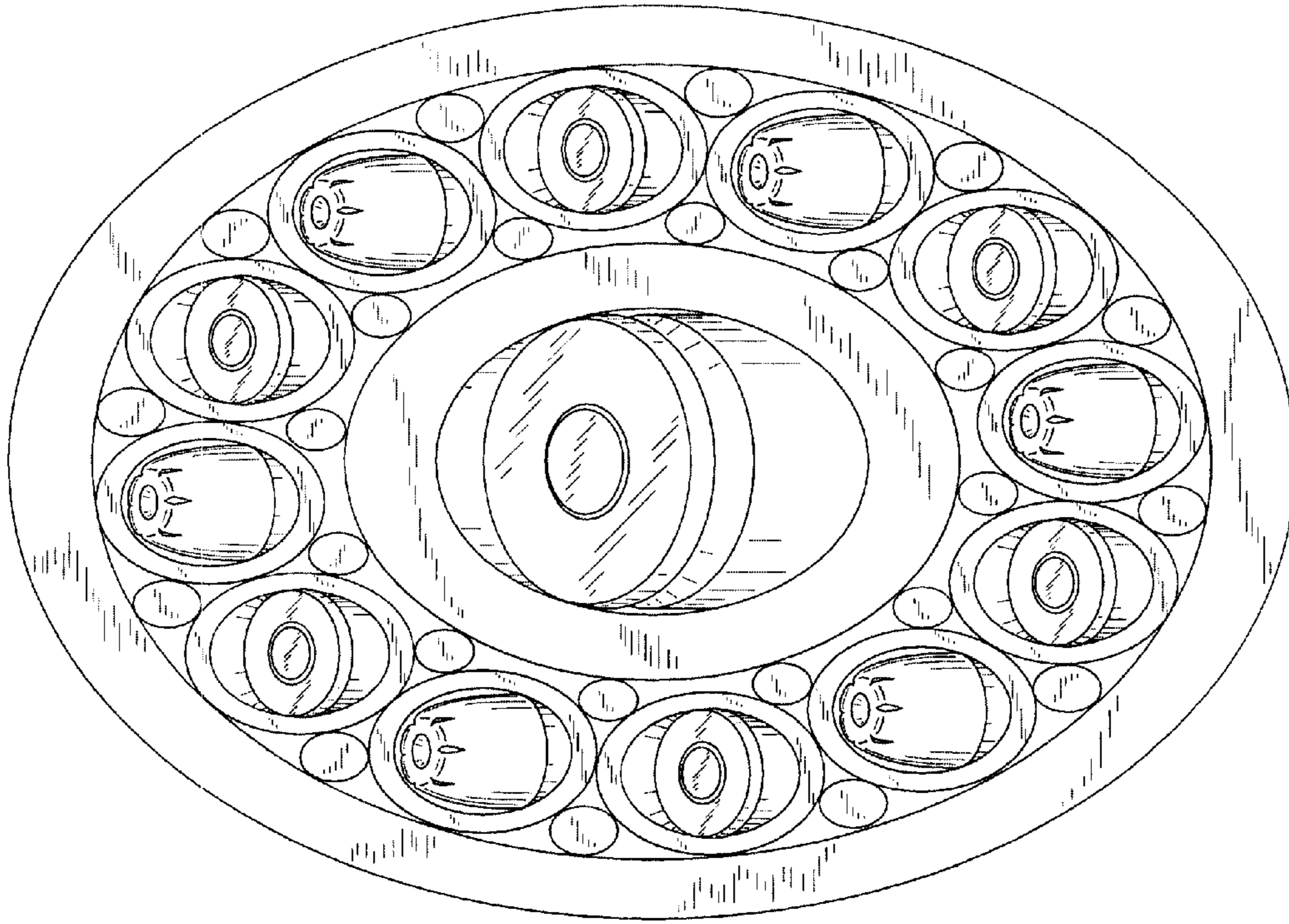


FIG. 2

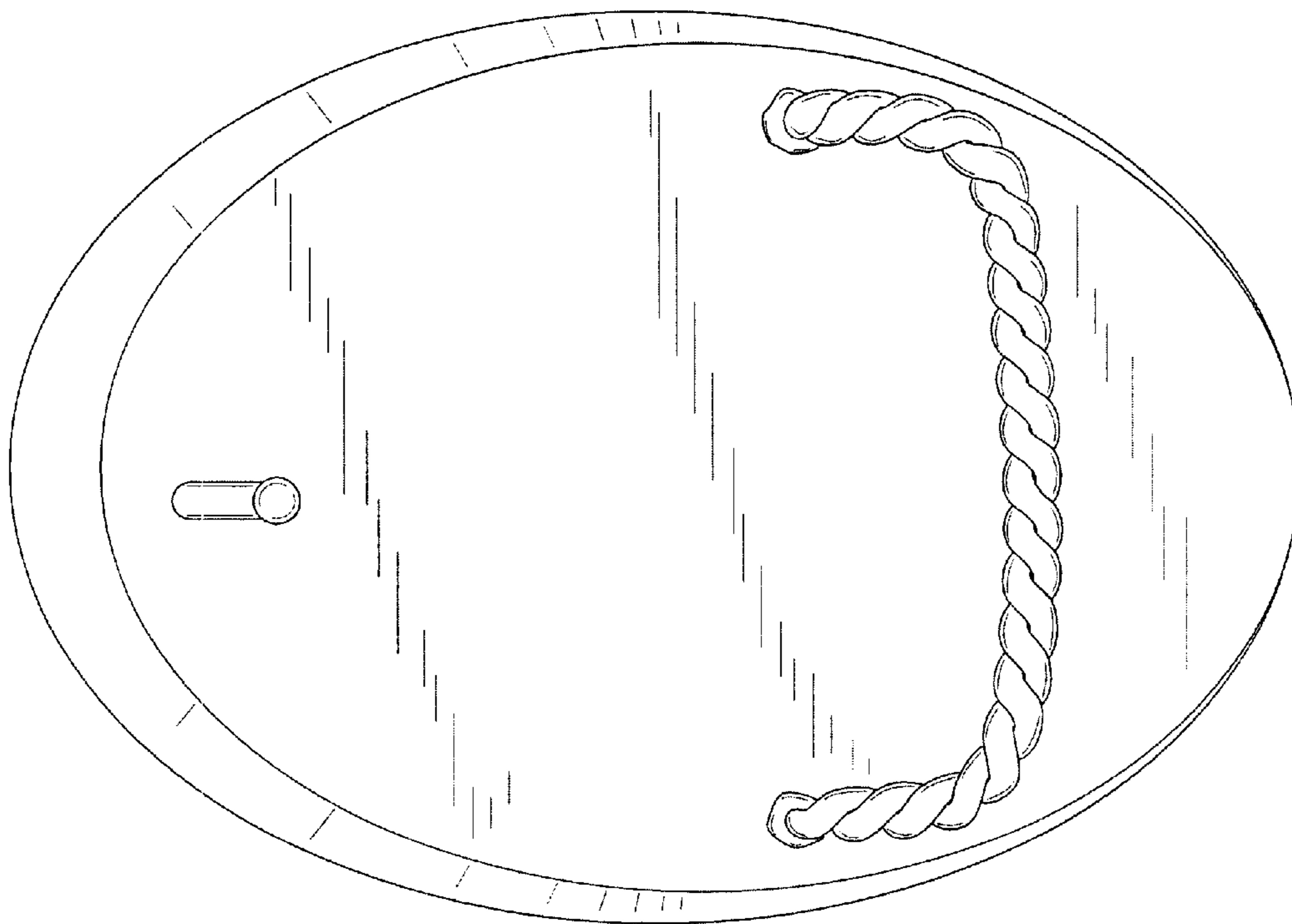


FIG. 3

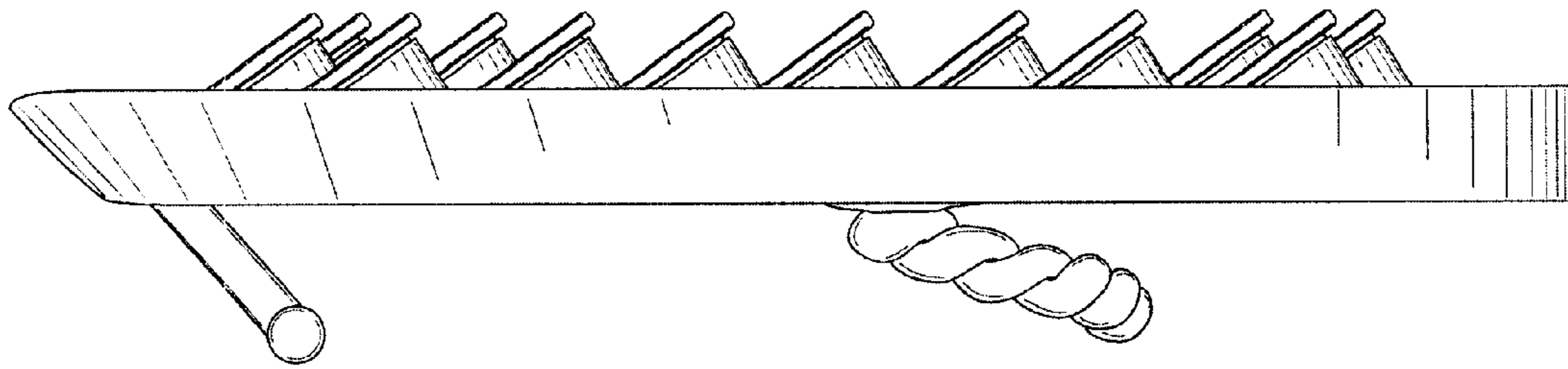


FIG. 4

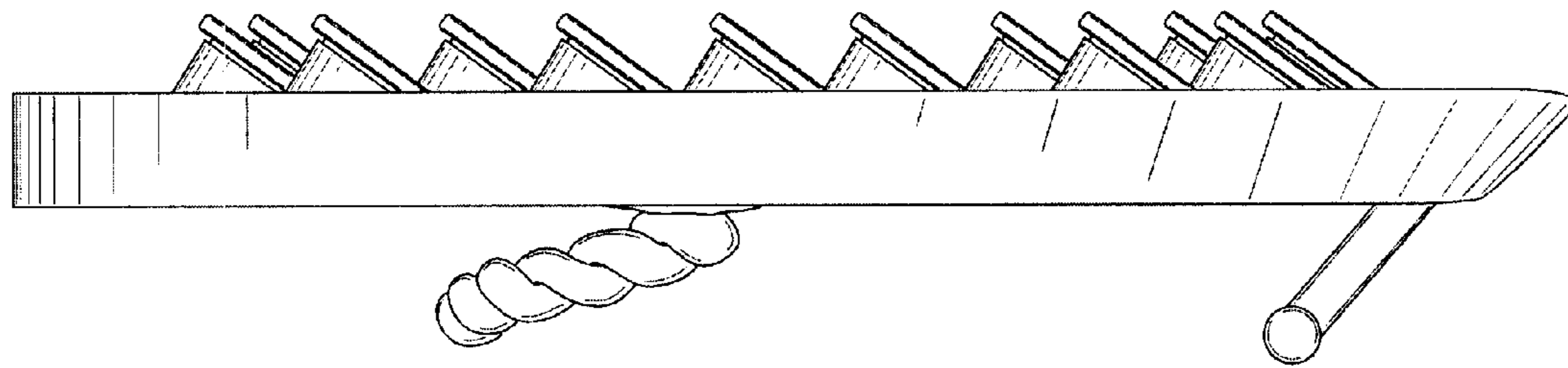


FIG. 5

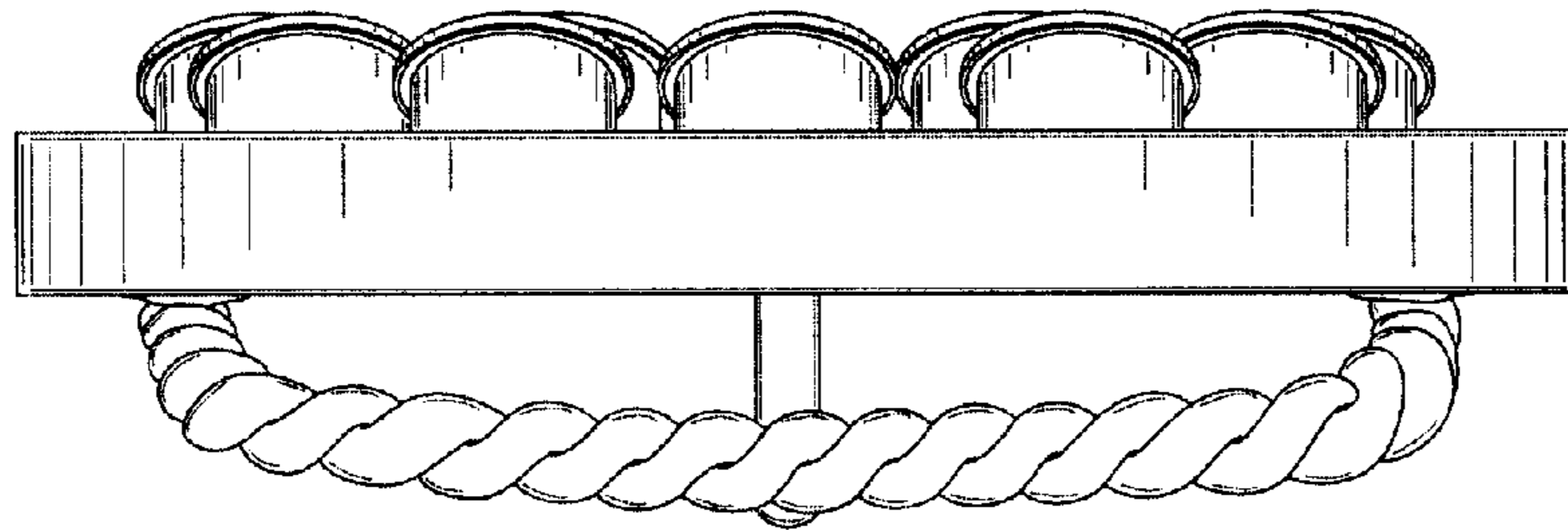


FIG. 6

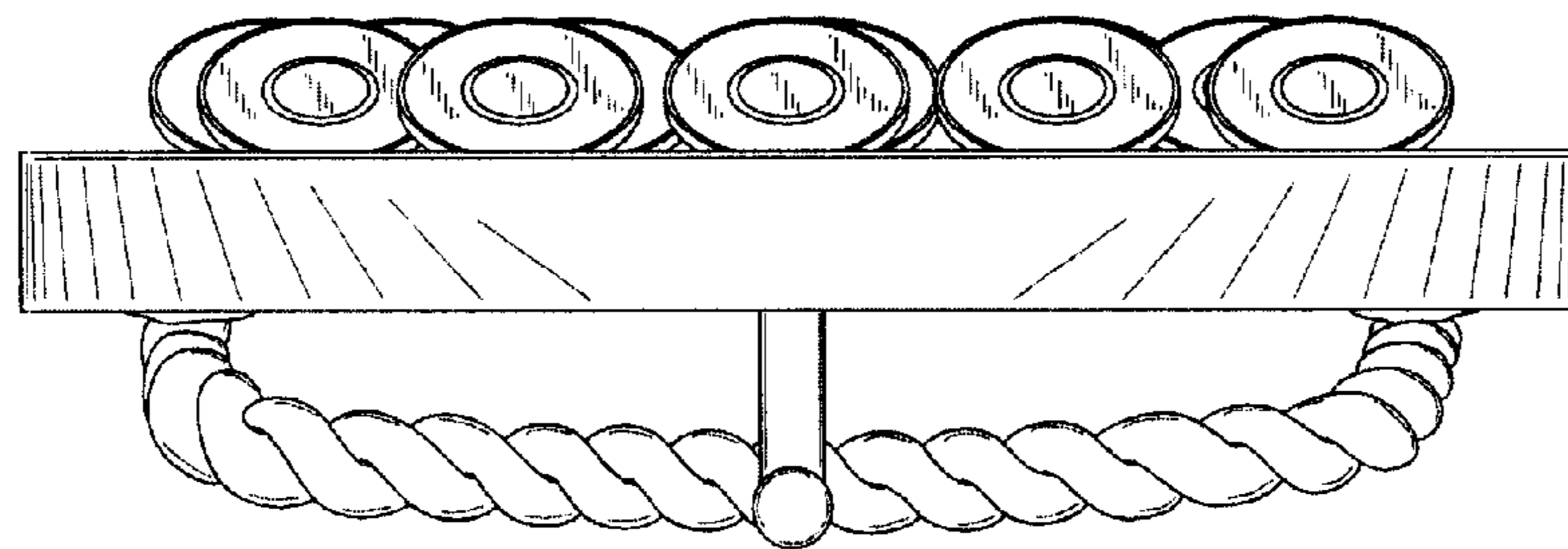


FIG. 7