

US00D541186S

(12) **United States Design Patent** (10) **Patent No.:** **US D541,186 S**
Lammers-Meis et al. (45) **Date of Patent:** **** Apr. 24, 2007**

(54) **NAVIGATION DEVICE**

(75) Inventors: **David F. Lammers-Meis**, Olathe, KS (US); **Robert M. Kalis**, Overland Park, KS (US); **Paul E. Skelton**, Lenexa, KS (US); **Stephen P. Waite**, Blue Springs, MO (US)

(73) Assignee: **Garmin Ltd.** (KY)

(**) Term: **14 Years**

(21) Appl. No.: **29/244,329**

(22) Filed: **Dec. 8, 2005**

(51) **LOC (8) Cl.** **10-04**

(52) **U.S. Cl.** **D10/65**

(58) **Field of Classification Search** D10/65, D10/80; D14/347; 342/351, 419, 457, 357.06–357.13; 343/702; 345/87, 104, 133, 156, 168, 173, 345/901–905; 348/180, 184, 315, 739; 364/444, 364/499; 701/206–209, 213, 214
See application file for complete search history.

(56) **References Cited**

U.S. PATENT DOCUMENTS

D366,220 S * 1/1996 Sakamoto D10/65
D383,400 S * 9/1997 Wada D10/65

OTHER PUBLICATIONS

<http://www.mynewcheap.co.uk/products/details/snooper-indago-sat-nav-speed-cam/9926>.
<http://www.poweracoustik.com/nav.html>.

http://www.miogps.com/products_269features.htm.
http://www.akihabaranews.com/en/news_9859.html.
<http://www.gpsandco.com/articles/newsitem.php?id=4032>.
<http://www.tomtom.com/products/category.php?ID=0&Language=4>.

* cited by examiner

Primary Examiner—Antoine D. Davis

(74) *Attorney, Agent, or Firm*—David L. Terrell

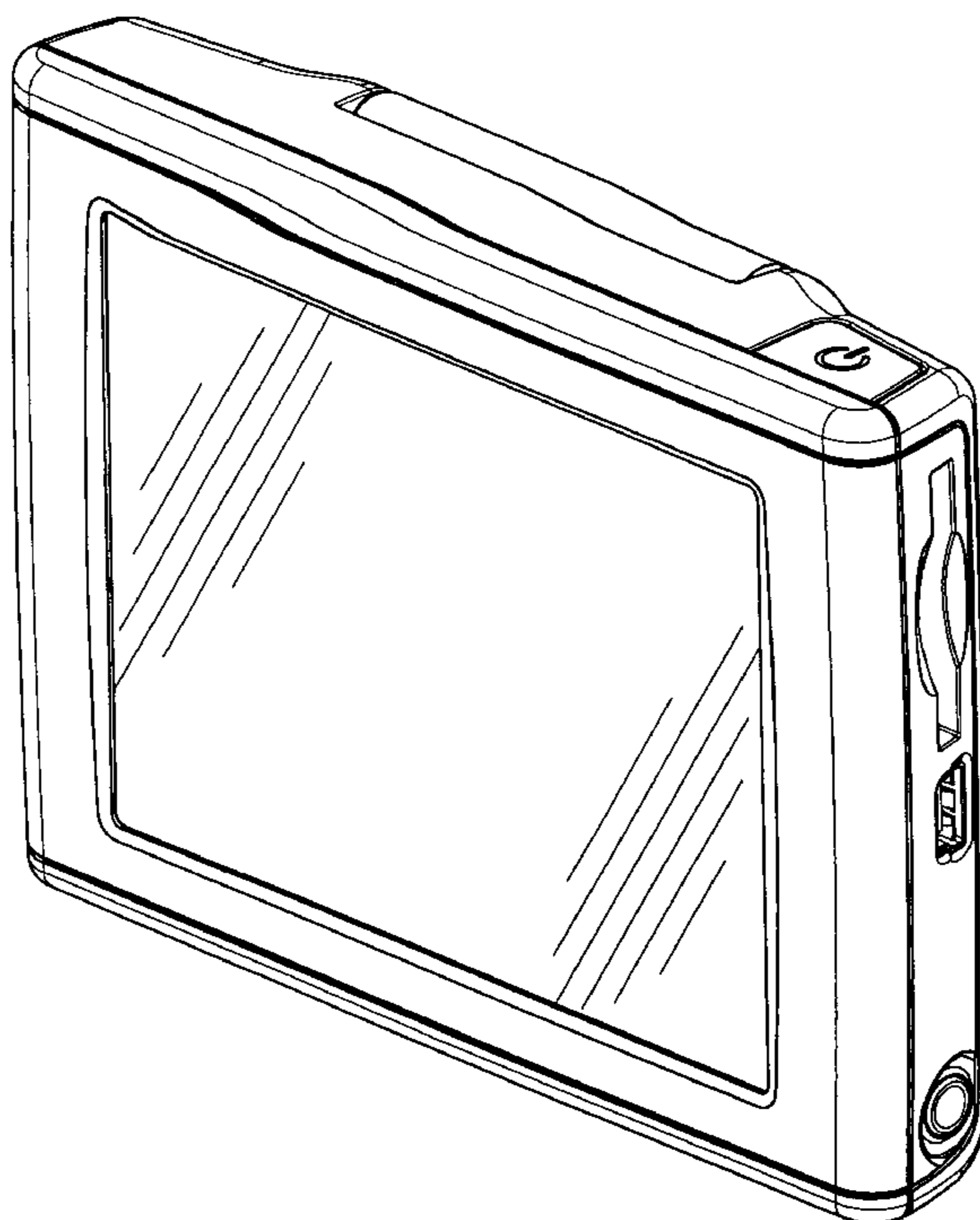
(57) **CLAIM**

The ornamental design for a navigation device, as shown and described.

DESCRIPTION

FIG. 1 is a front perspective view of a navigation device according to the present invention;
FIG. 2 is a rear perspective view thereof;
FIG. 3 is a front elevational view thereof;
FIG. 4 is a top plan view thereof;
FIG. 5 is a left side elevational view thereof;
FIG. 6 is a rear elevational view thereof;
FIG. 7 is a bottom plan view thereof;
FIG. 8 is a right side elevational view thereof;
FIG. 9 is a front perspective view thereof, with an antenna portion extended, those portions shown in dashed lines for illustrative purposes only and forming no part of the claimed design; and,
FIG. 10 is a rear perspective view thereof, with the antenna portion extended, those portions shown in dashed lines for illustrative purposes only and forming no part of the claimed design.

1 Claim, 4 Drawing Sheets



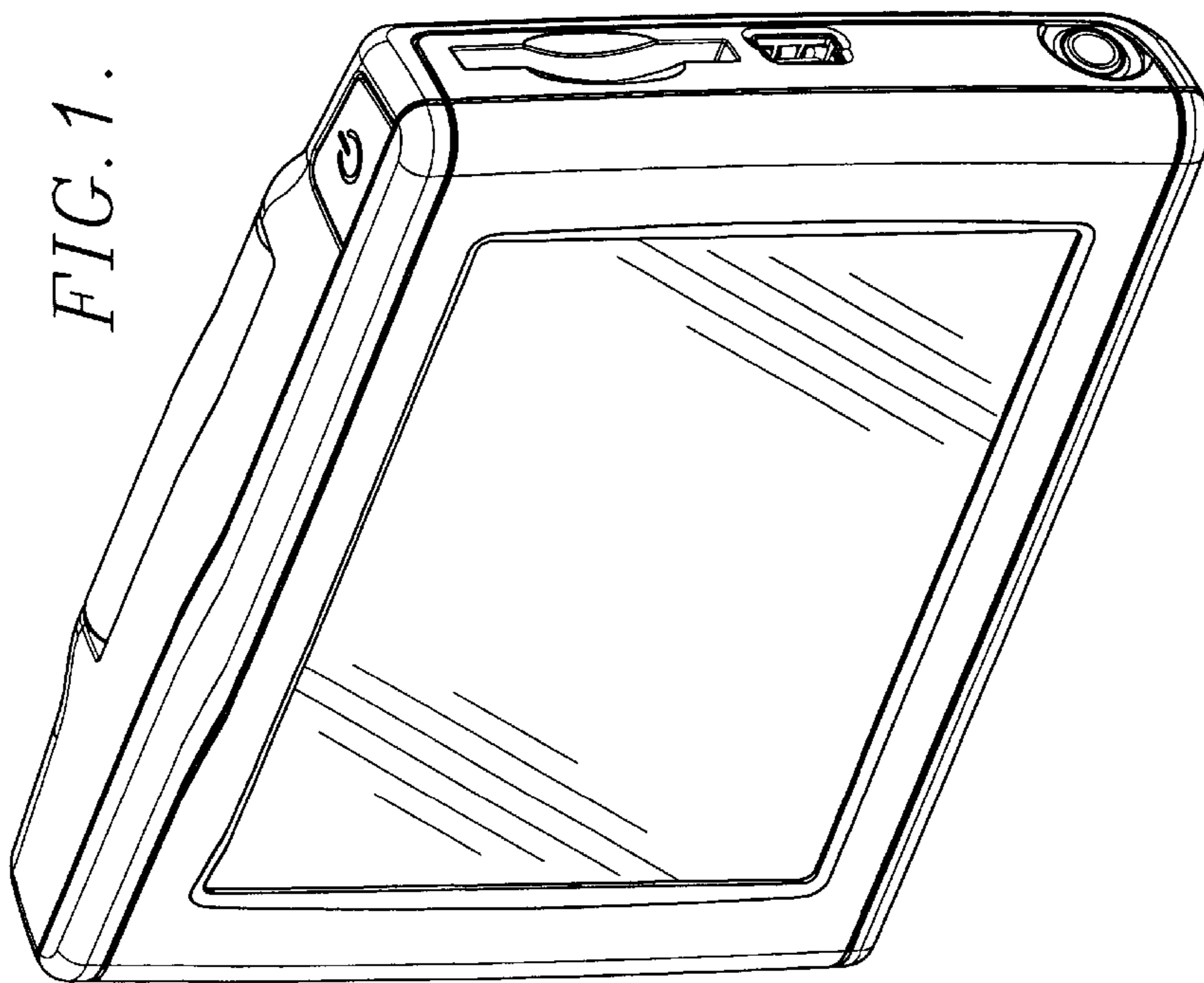


FIG. 1.

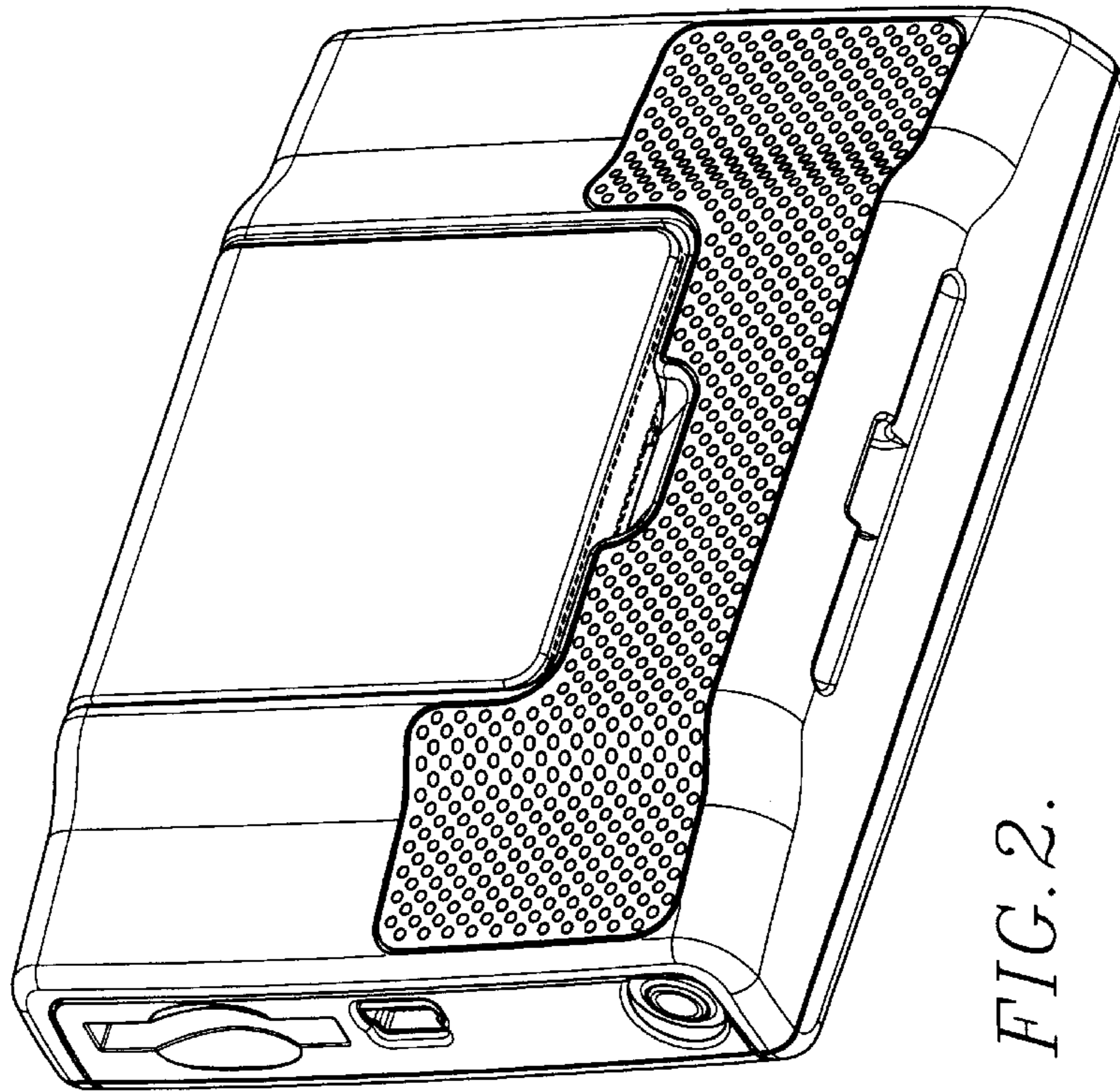


FIG. 2.

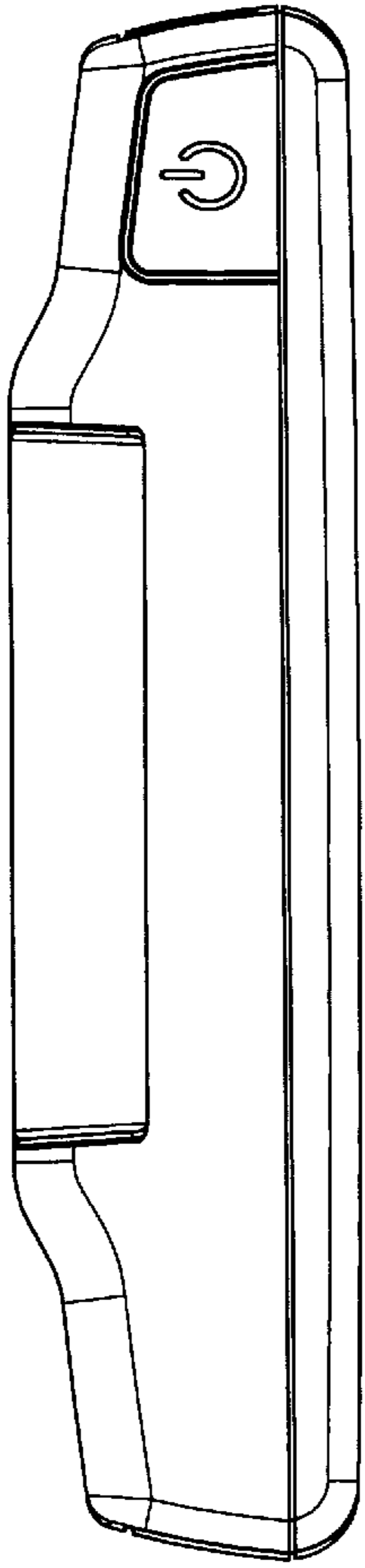


FIG. 4.

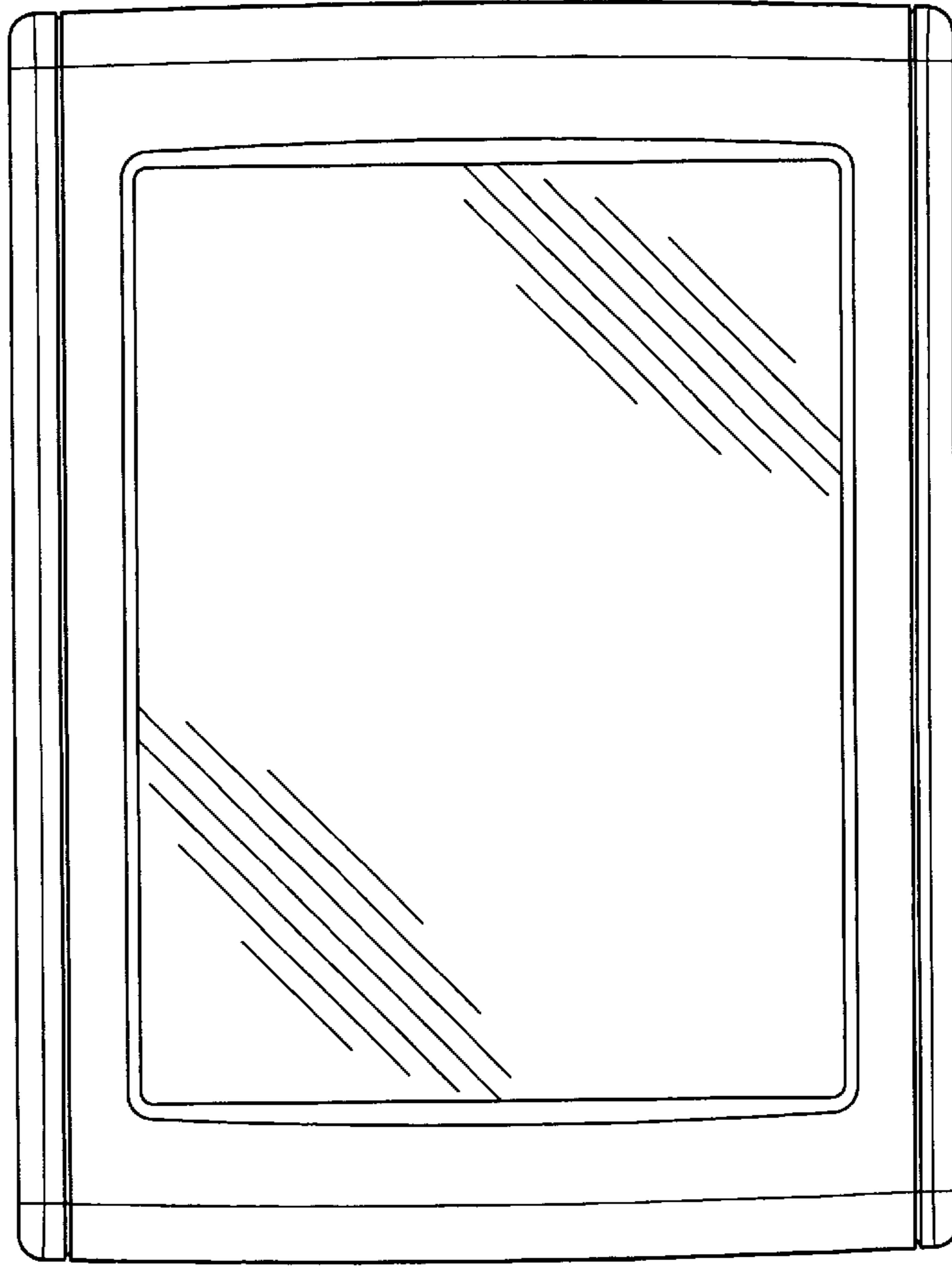
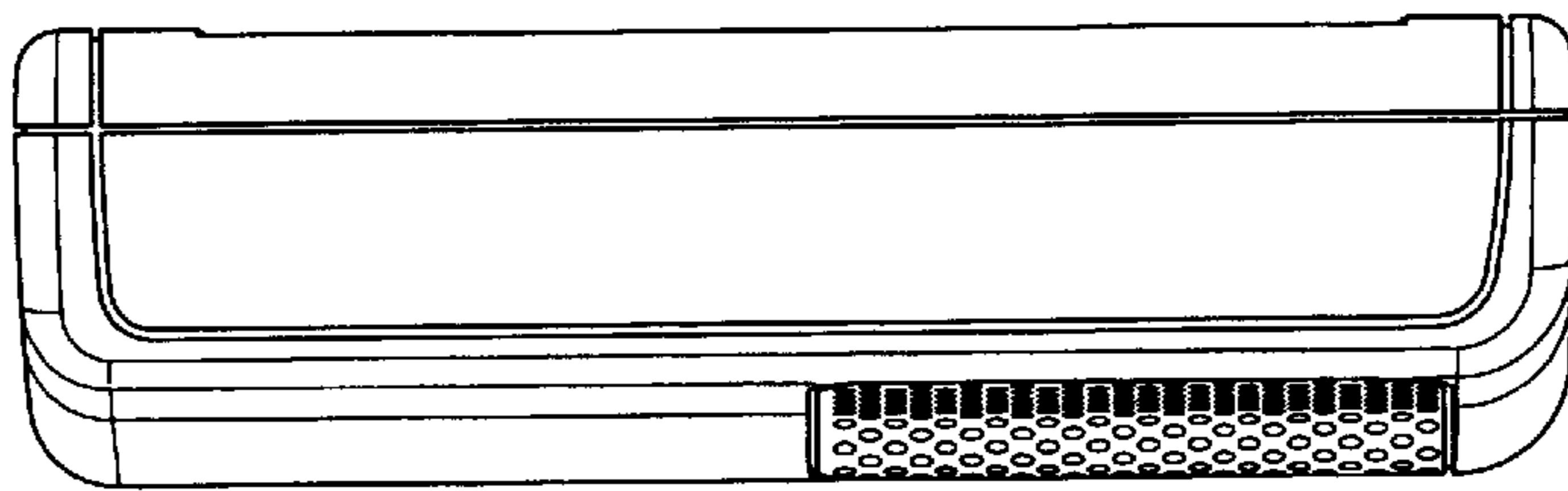


FIG. 3.

FIG. 5.



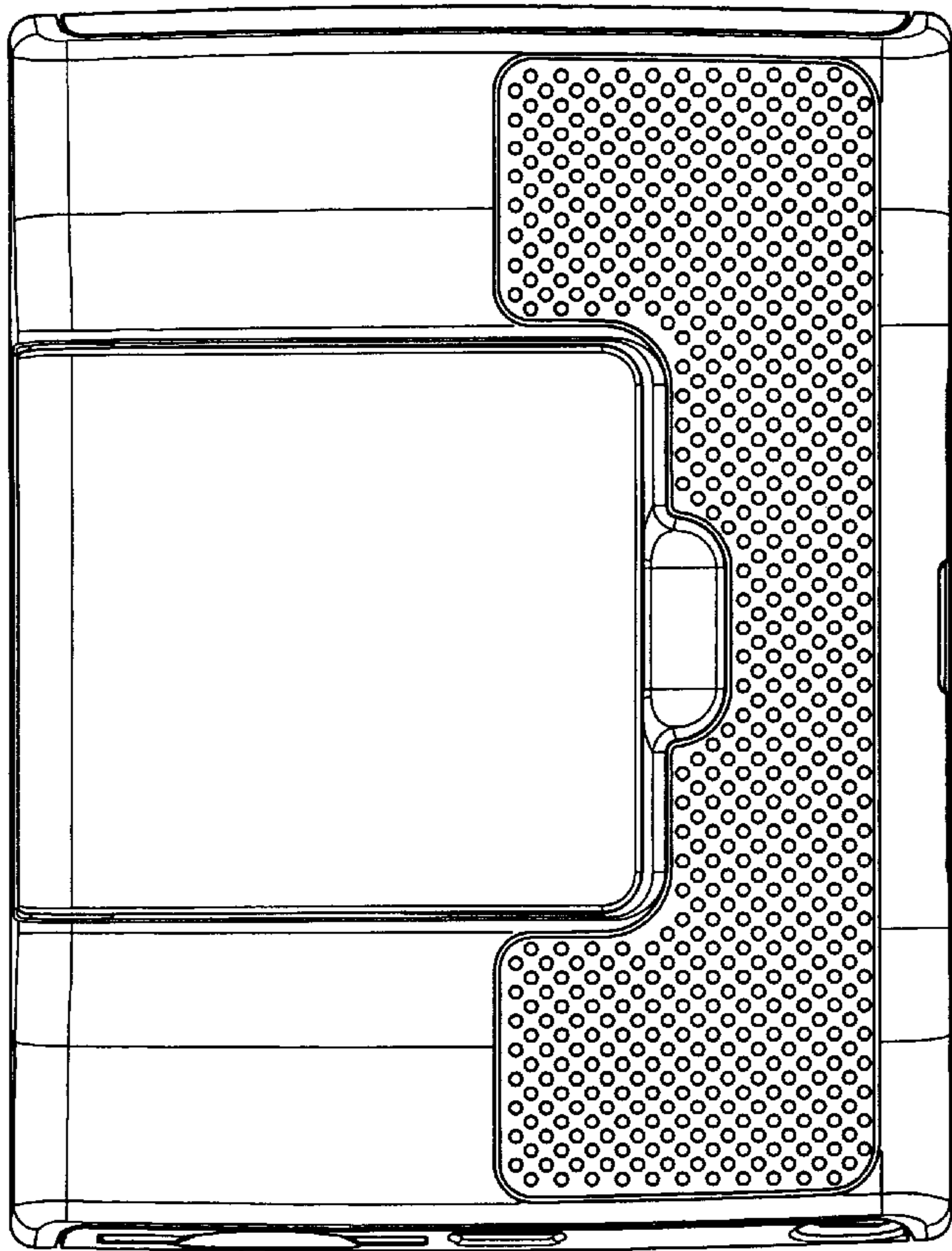


FIG. 6.

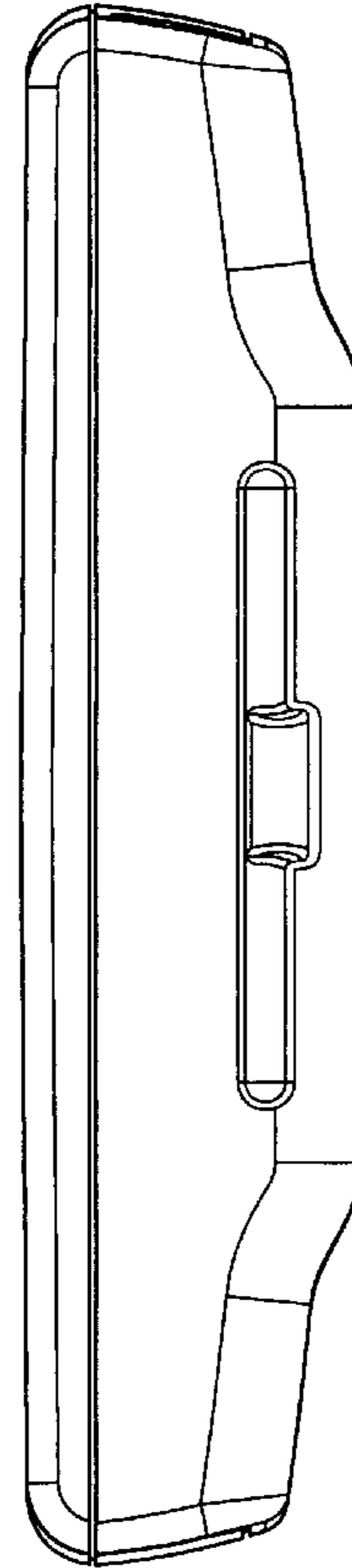


FIG. 7.

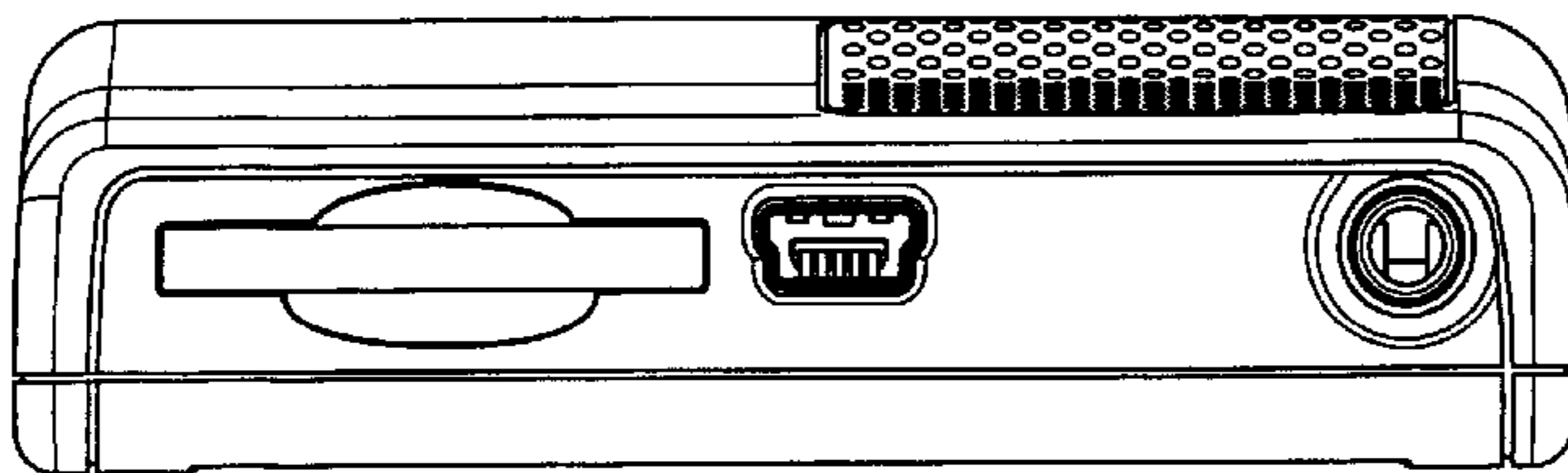


FIG. 8.

FIG. 10.

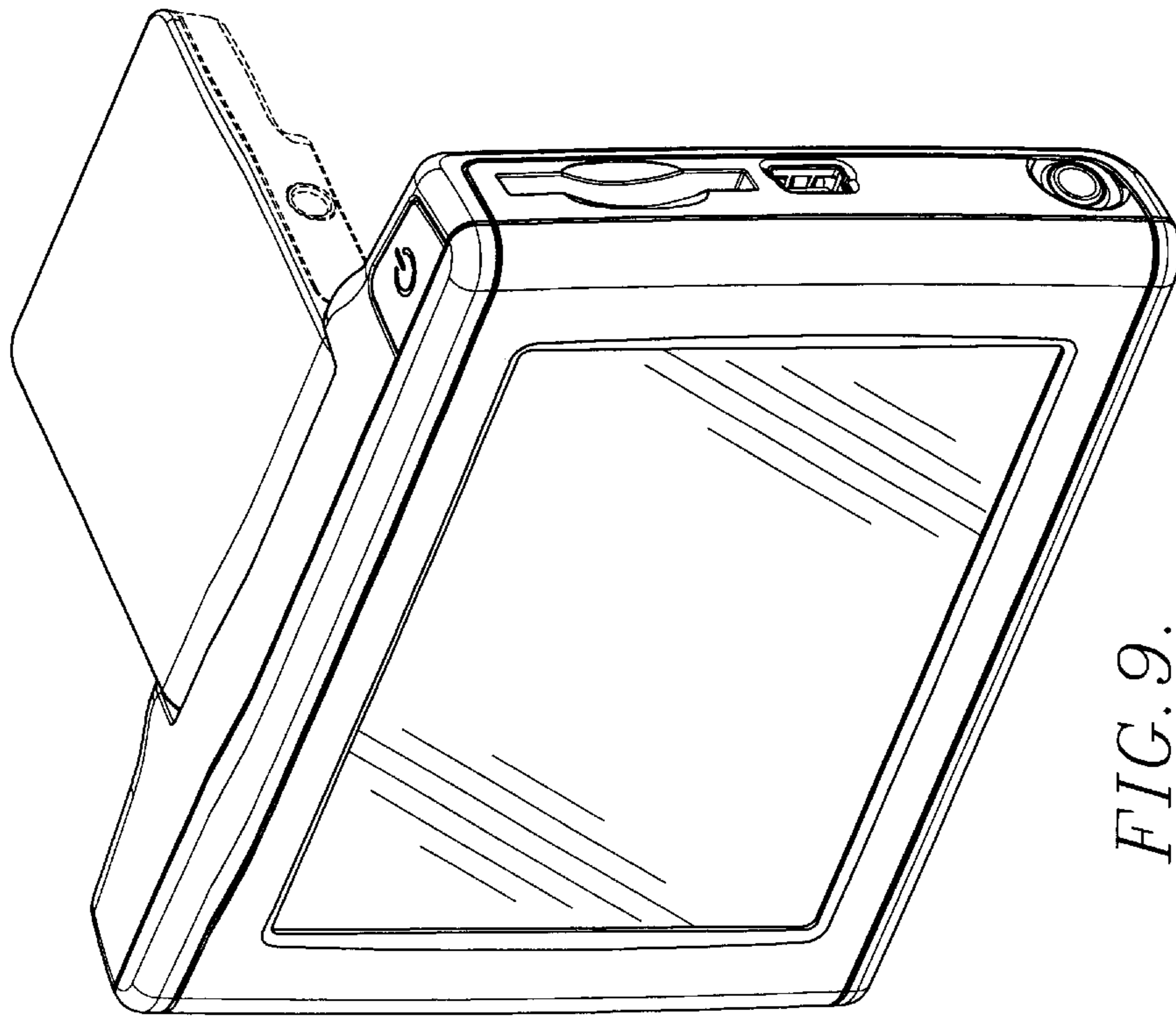
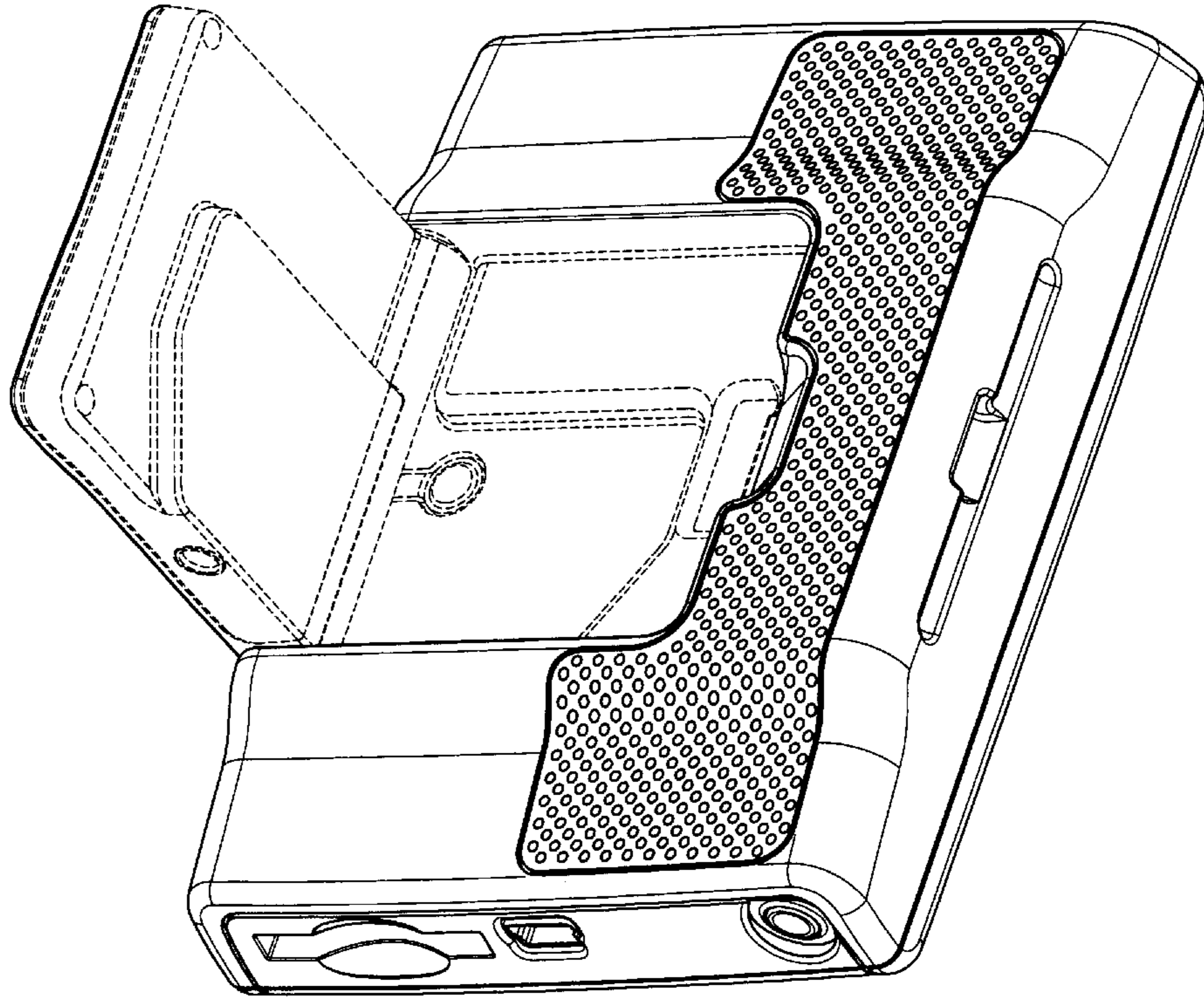


FIG. 9.