

US00D541185S

(12) **United States Design Patent**
Li

(10) **Patent No.:** **US D541,185 S**

(45) **Date of Patent:** **** Apr. 24, 2007**

(54) **COMBINED LCD CLOCK, THERMOMETER, HYDROMETER, BAROMETER AND WEATHER STATION**

D400,806 S * 11/1998 Tillack D10/52
2003/0076745 A1 * 4/2003 Chapman 368/10
2006/0095210 A1 * 5/2006 Chan 702/3

* cited by examiner

(75) Inventor: **Michael Li, Kwai Chung (HK)**

Primary Examiner—Antoine D. Davis

(73) Assignee: **Carrin Electronics Co., Ltd., Kwai Chung (HK)**

(74) *Attorney, Agent, or Firm*—Rabin & Berdo, P.C.

(**) Term: **14 Years**

(57) **CLAIM**

(21) Appl. No.: **29/231,310**

The ornamental design for a combined LCD clock, thermometer, hydrometer, barometer and weather station, as shown and described.

(22) Filed: **Jun. 3, 2005**

DESCRIPTION

(51) **LOC (8) Cl.** **10-04**

FIG. 1 is a perspective view of a combined LCD clock, thermometer, hydrometer, barometer and weather station showing my new design;

(52) **U.S. Cl.** **D10/62**

FIG. 2 is a front view thereof;

(58) **Field of Classification Search** D10/62,
D10/49-50; 368/10, 73; 73/170.16; 340/601;
702/3

FIG. 3 is a rear view thereof;

See application file for complete search history.

FIG. 4 is a left side view thereof;

FIG. 5 is a right side view thereof;

FIG. 6 is a top view thereof; and,

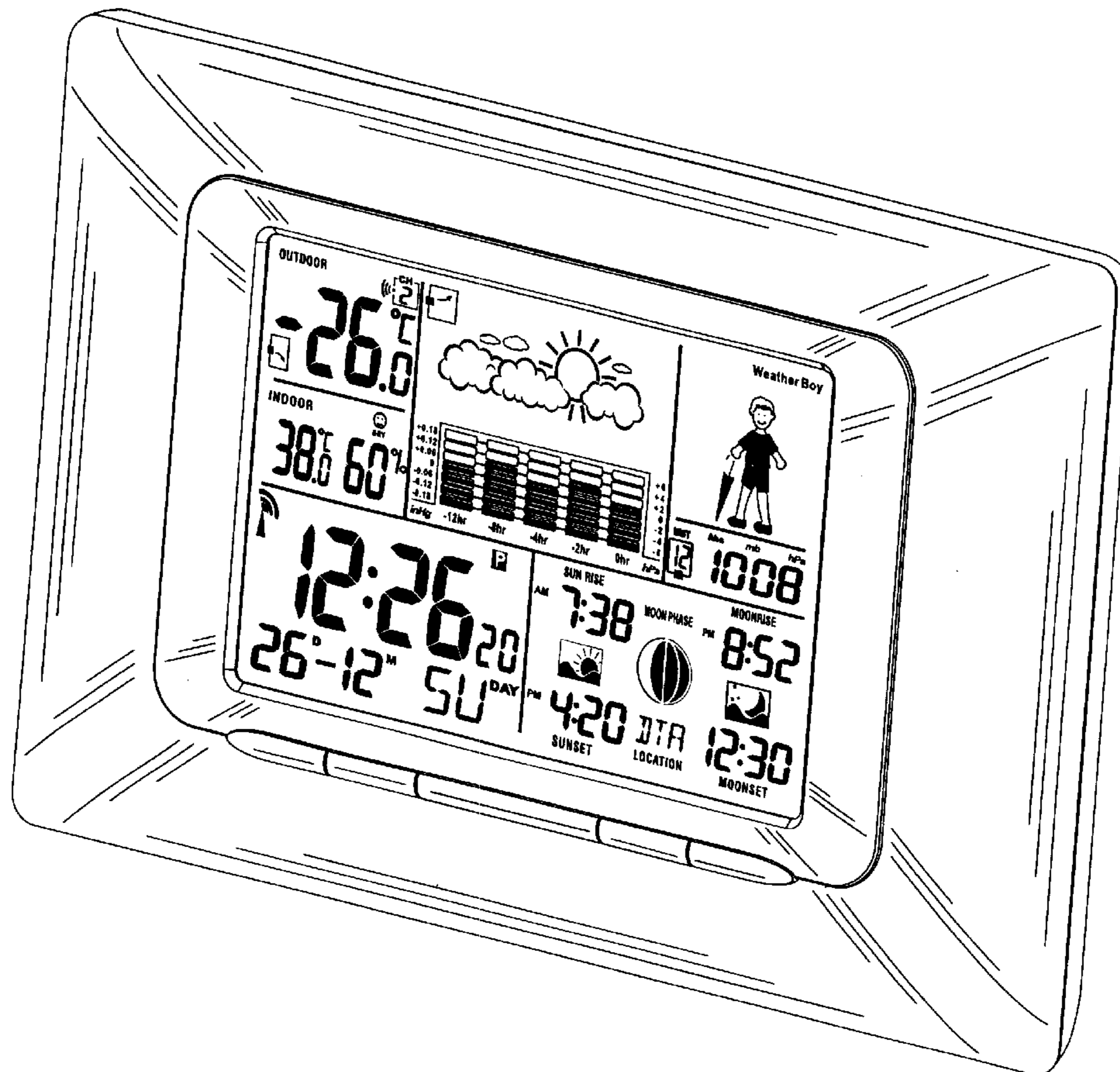
FIG. 7 is a bottom view thereof.

(56) **References Cited**

U.S. PATENT DOCUMENTS

D389,074 S * 1/1998 Chan D10/53
D396,812 S * 8/1998 Kuipers D10/62

1 Claim, 5 Drawing Sheets



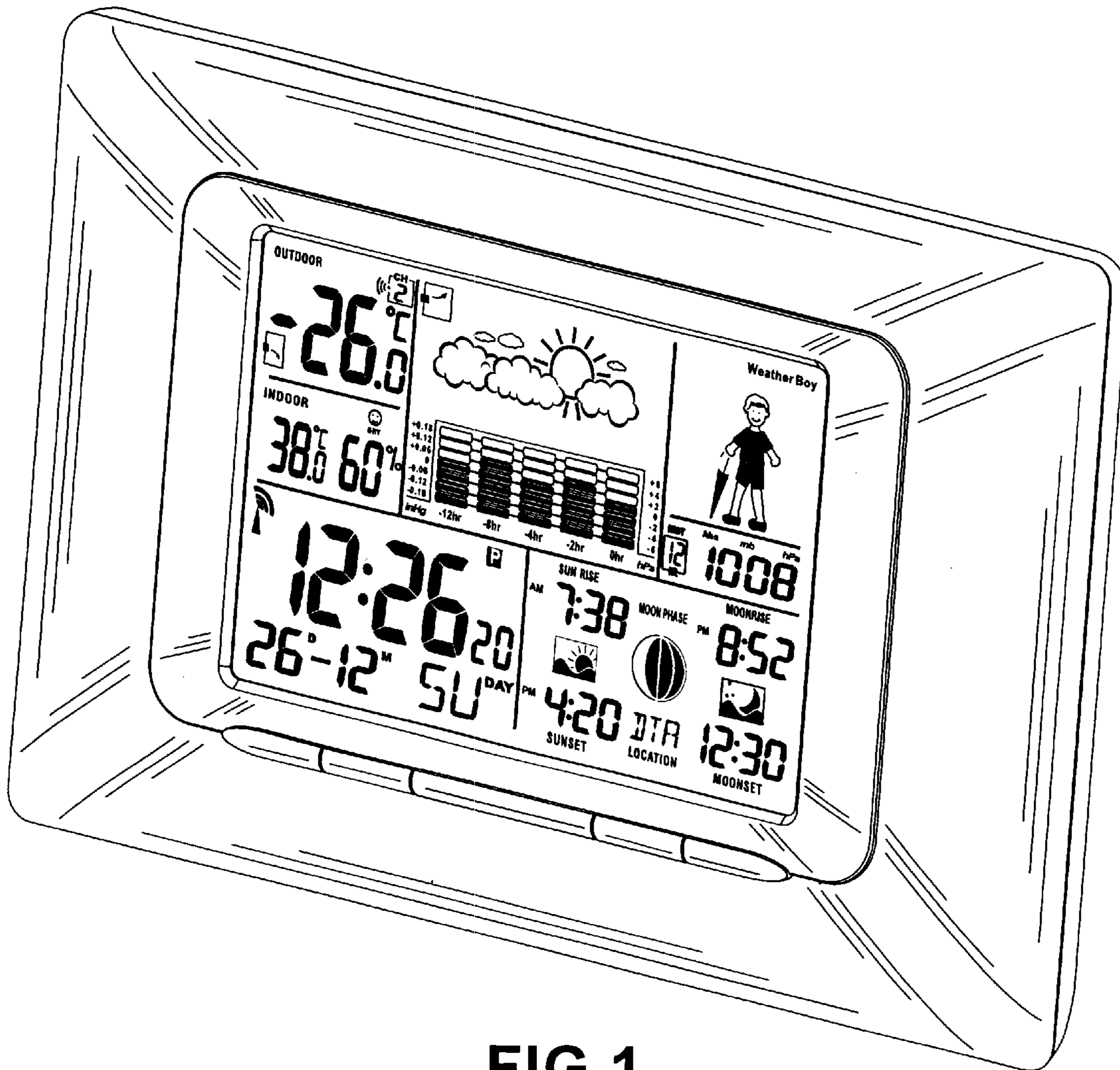


FIG.1

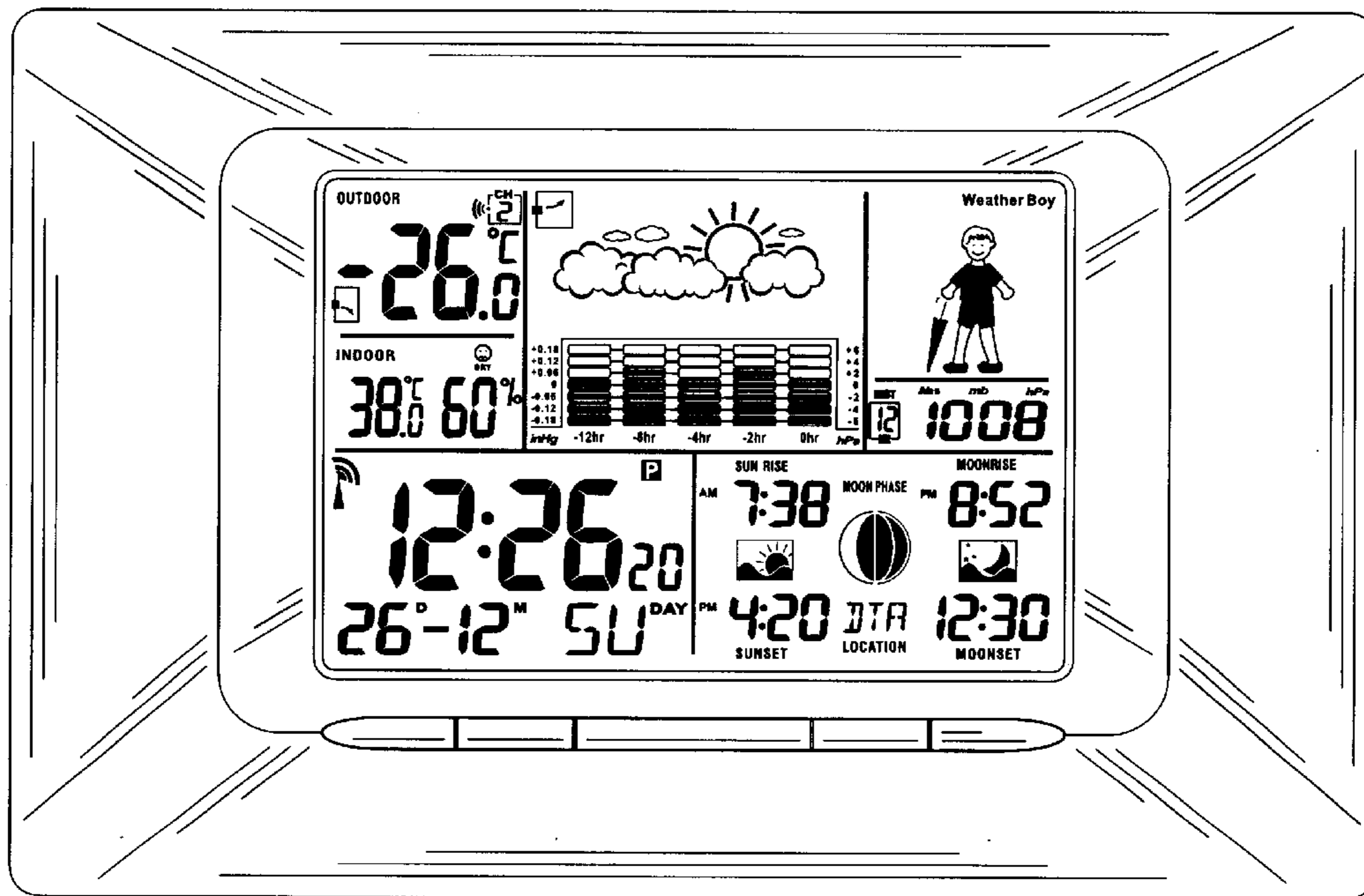


FIG.2

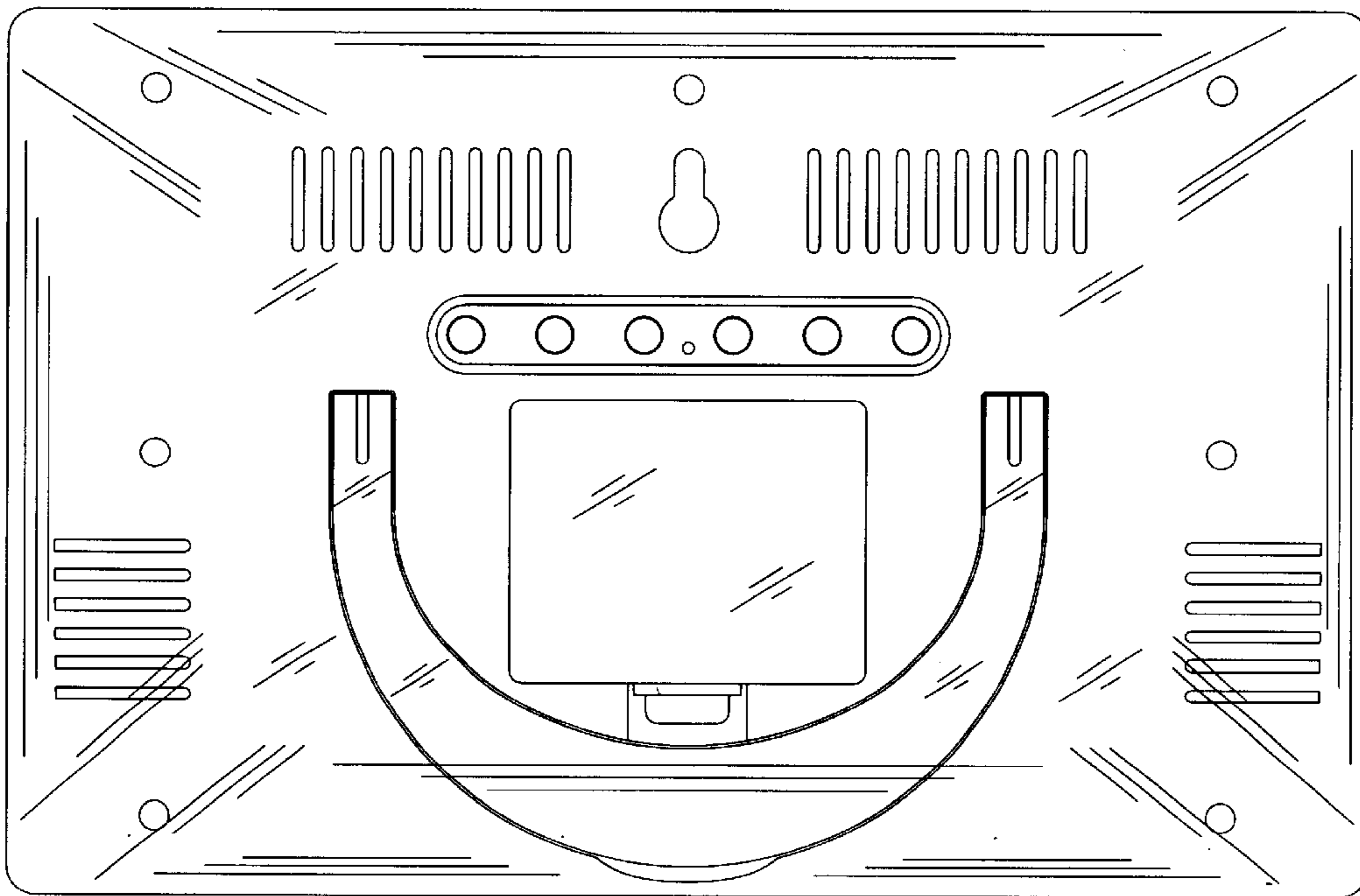


FIG.3

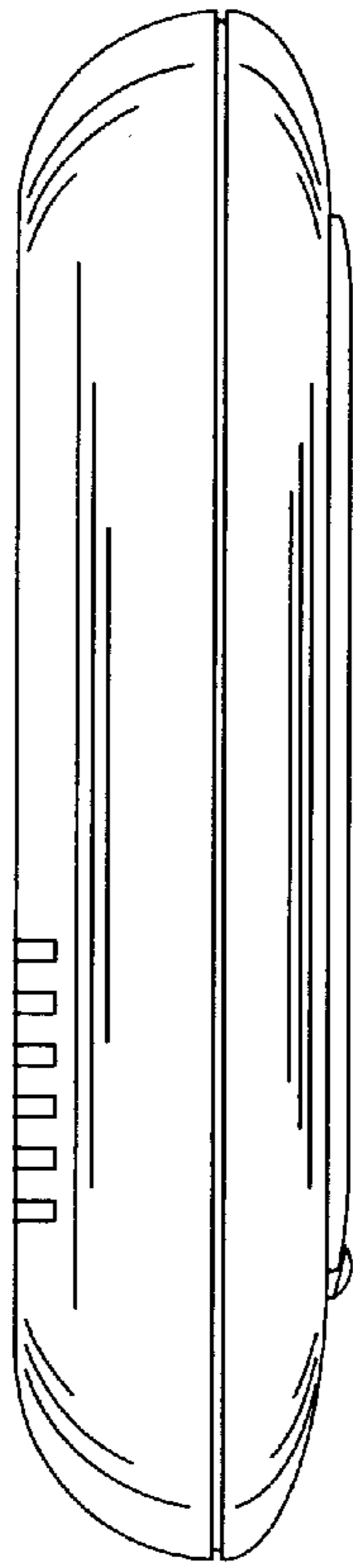


FIG. 4

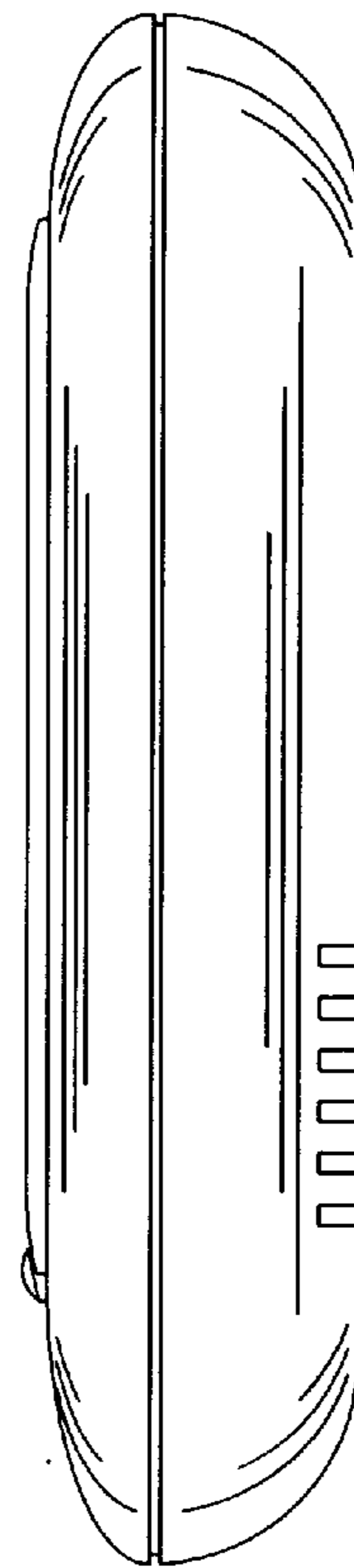


FIG. 5

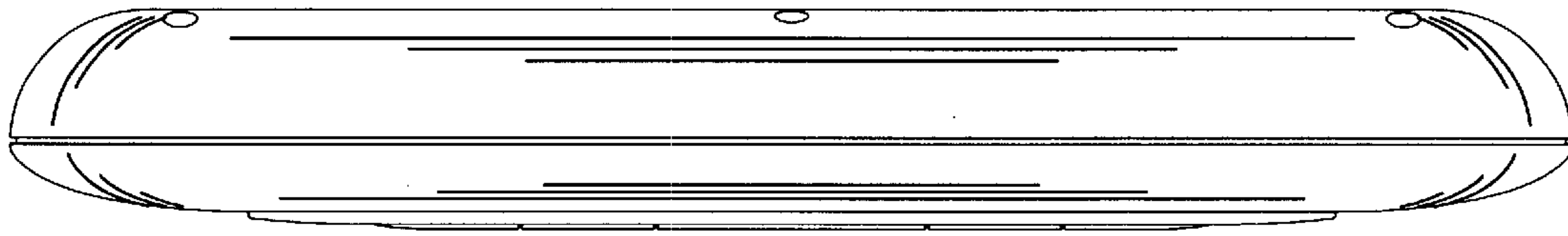


FIG.6

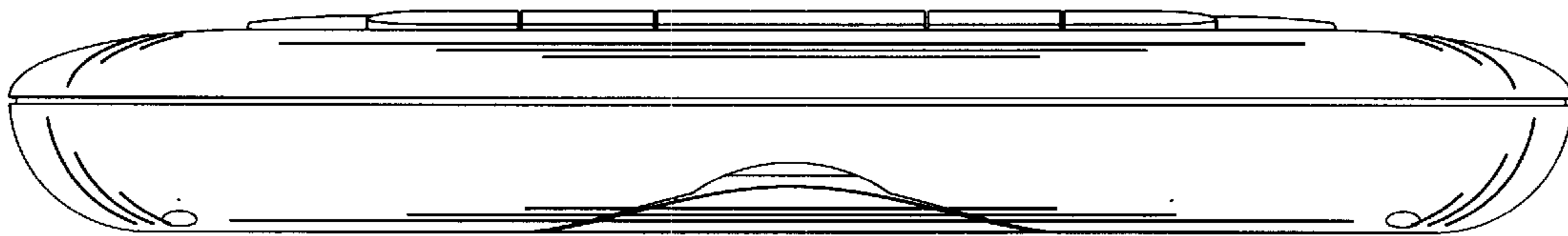


FIG.7