



US00D541176S

(12) **United States Design Patent**
Bried

(10) **Patent No.:** **US D541,176 S**

(45) **Date of Patent:** **** Apr. 24, 2007**

(54) **TOBACCO ARTICLE CONTAINER**

D531,036 S * 10/2006 Bried et al. D9/504

(75) Inventor: **David Bried**, Brentwood, TN (US)

* cited by examiner

(73) Assignee: **U.S. Smokeless Tobacco Company**,
Greenwich, CT (US)

Primary Examiner—Mitchell Siegel

Assistant Examiner—Shanda C. Hill

(74) *Attorney, Agent, or Firm*—Fish & Richardson P.C.

(**) Term: **14 Years**

(57) **CLAIM**

(21) Appl. No.: **29/257,717**

The ornamental design for a tobacco article container, as shown and described.

(22) Filed: **Apr. 10, 2006**

DESCRIPTION

(51) **LOC (8) Cl.** **09-03**

(52) **U.S. Cl.** **D9/780; D9/504**

(58) **Field of Classification Search** D9/414,
D9/434, 435, 500, 501, 503, 504, 516, 529,
D9/549, 763, 772, 779, 780; D28/76, 82;
206/229, 242; 215/317; 220/212, 352, 366,
220/377, 695, 780-796

See application file for complete search history.

FIG. 1 is an exploded perspective view of a tobacco article container.

FIG. 2 is a perspective view of the tobacco article container of FIG. 1.

FIG. 3 is an exploded side view of the tobacco article container of FIG. 1.

FIG. 4 is a perspective view of a housing portion of the tobacco article container of FIG. 1.

FIG. 5 is another perspective view of the housing portion of the tobacco article container of FIG. 1.

FIG. 6 is a cross-sectional side view of the housing portion of the tobacco article container taken along line 6-6 of FIG. 3;

FIG. 7 is a top view of the housing portion of the tobacco article container of FIG. 1.

FIG. 8 is a bottom view of the housing portion of the tobacco article container of FIG. 1.

FIG. 9 is a top view of a lid portion of the tobacco article container of FIG. 1; and,

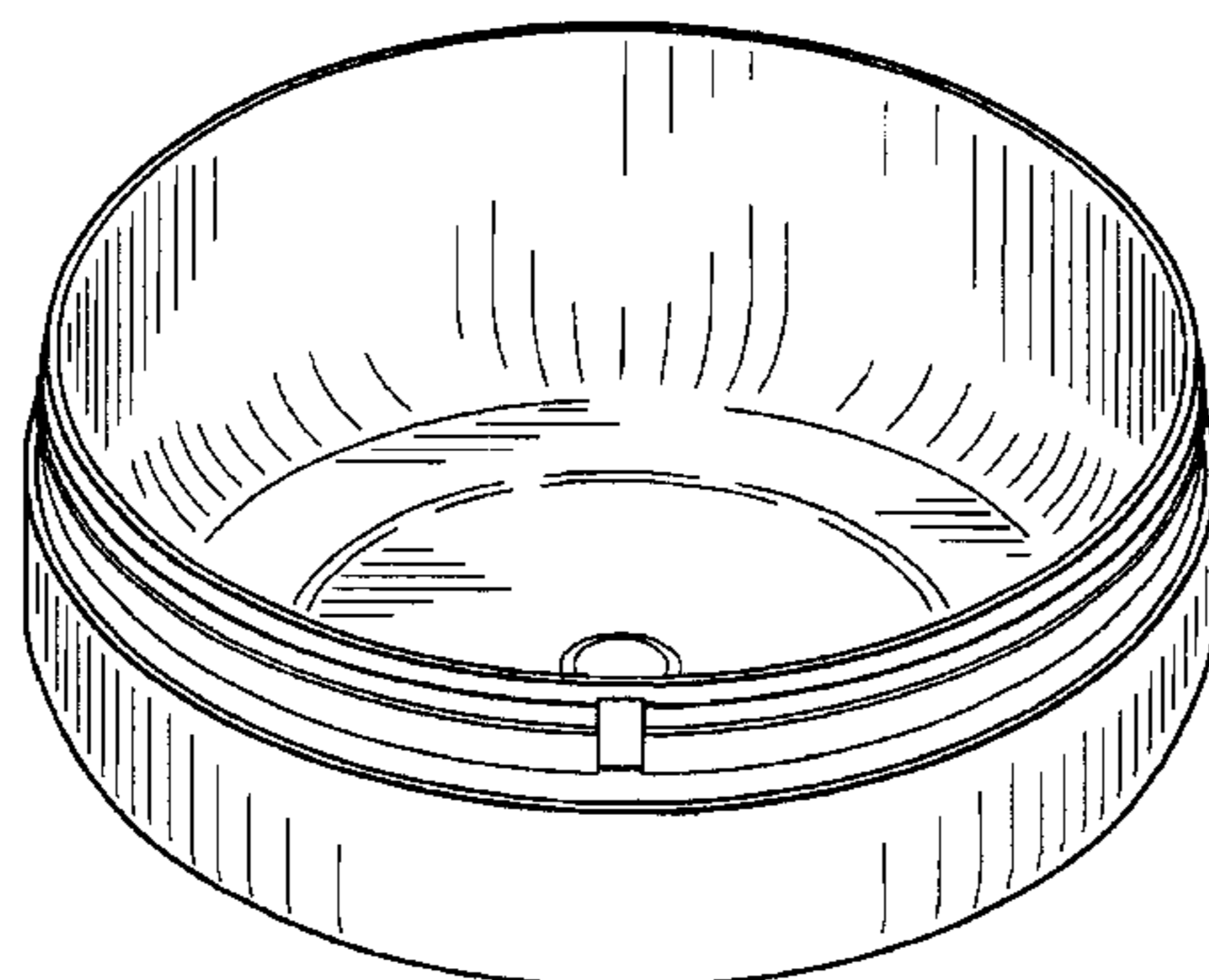
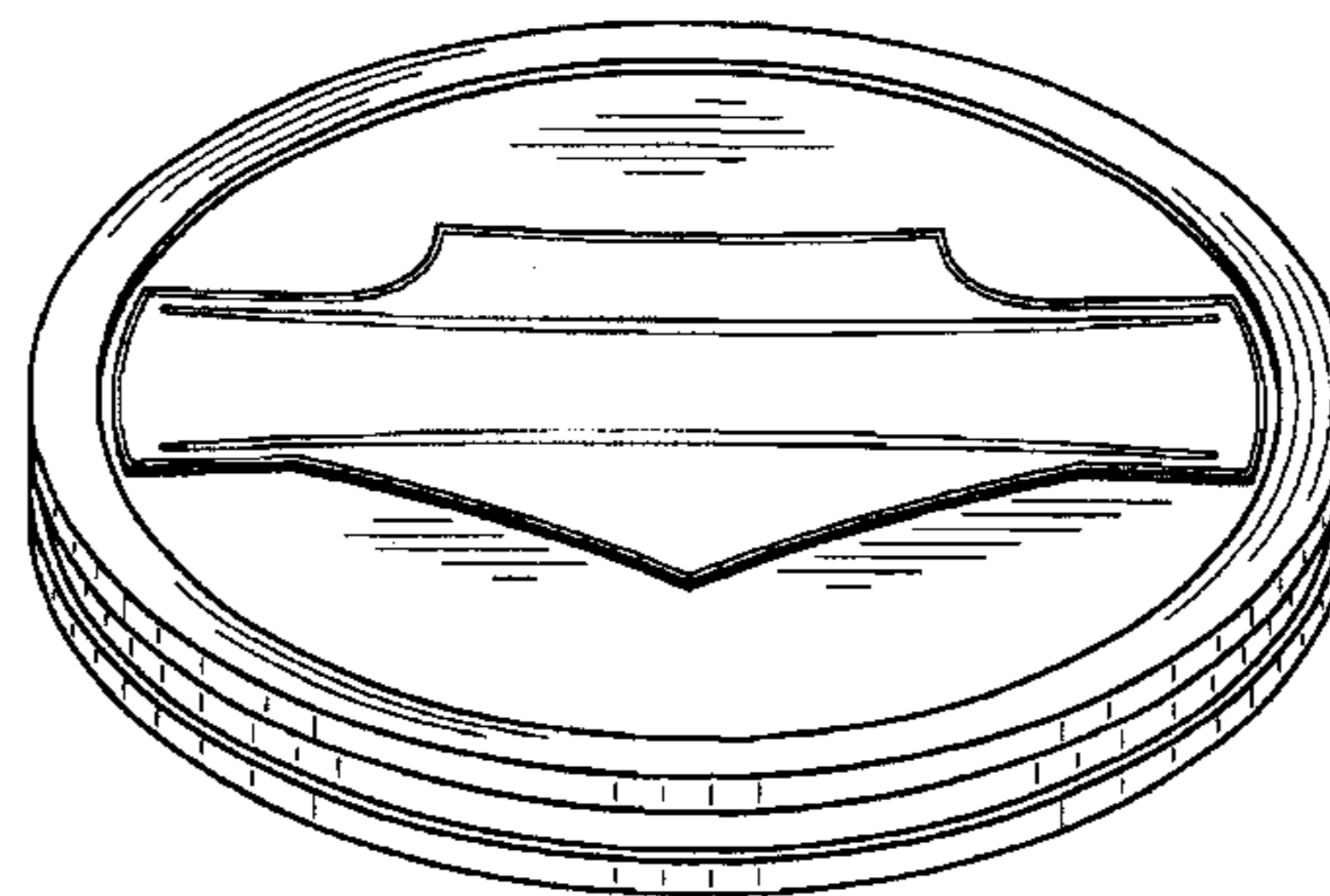
FIG. 10 is a bottom view of the lid portion of the tobacco article container of FIG. 1.

(56) **References Cited**

U.S. PATENT DOCUMENTS

H1855 H	*	8/2000	Litton et al.	D28/82
D460,692 S	*	7/2002	Cumberbatch	D9/500
D464,886 S	*	10/2002	Bried et al.	D9/504
D470,273 S	*	2/2003	Revivo	D28/76
D476,572 S	*	7/2003	Merritt	D9/504
D510,524 S		10/2005	Houk et al.	
D512,636 S	*	12/2005	Pace	D9/504
D513,386 S	*	1/2006	Pace et al.	D9/504
D514,936 S	*	2/2006	Pace et al.	D9/504
D515,426 S	*	2/2006	Pace et al.	D9/504
D515,439 S		2/2006	Pace	
D515,928 S	*	2/2006	Pace	D9/504
D523,752 S	*	6/2006	Bried et al.	D9/504

1 Claim, 5 Drawing Sheets



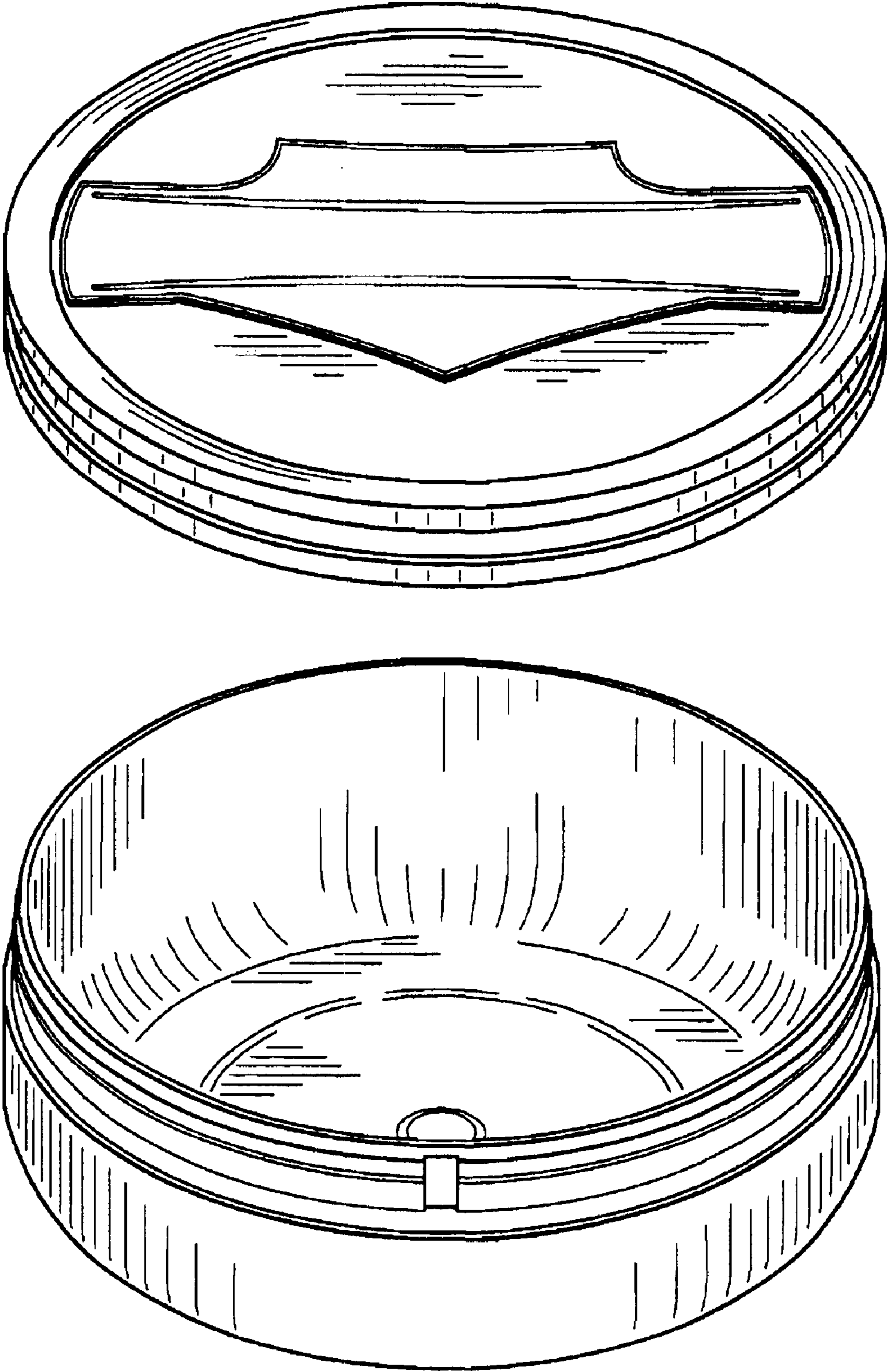


FIG. 1

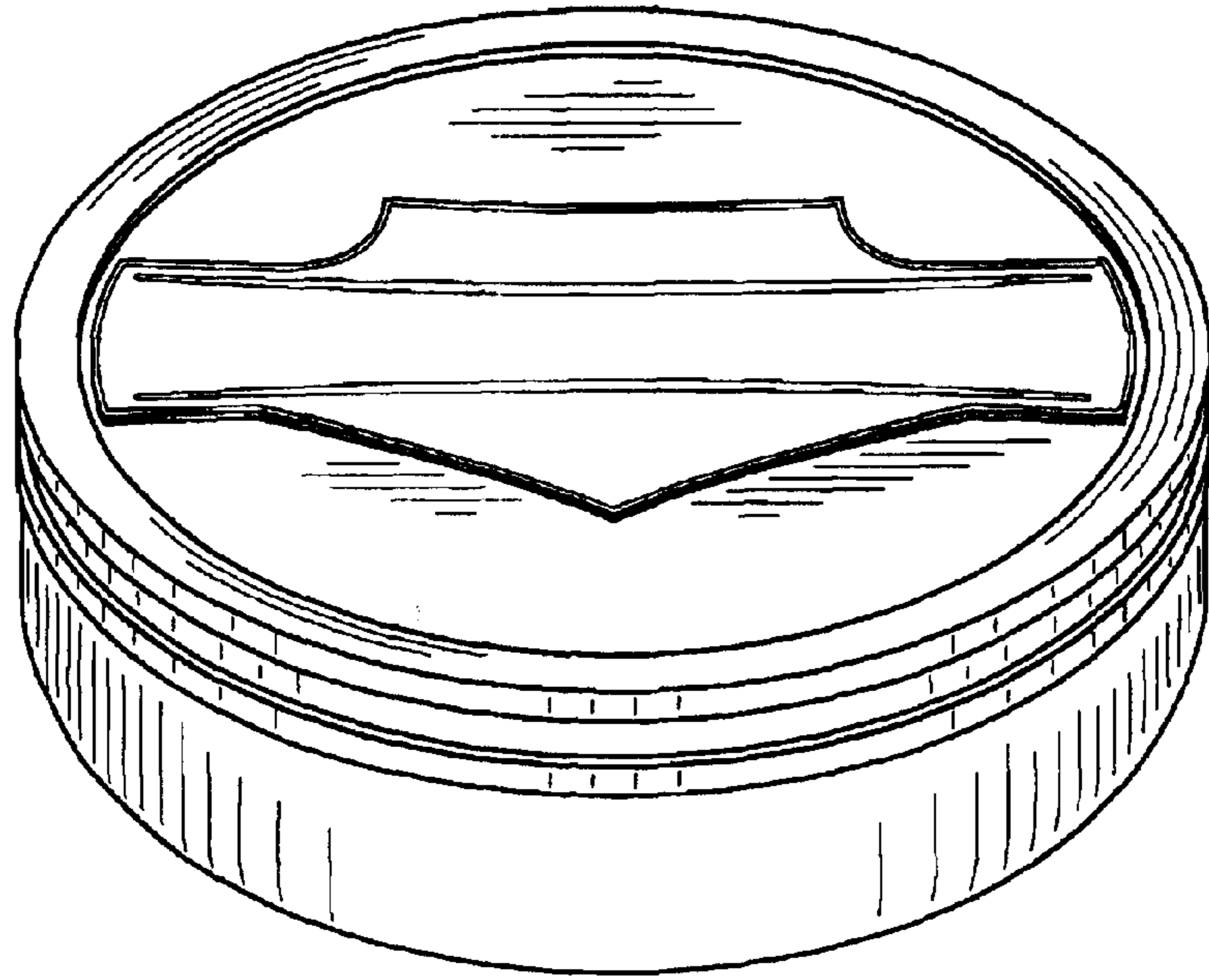


FIG. 2

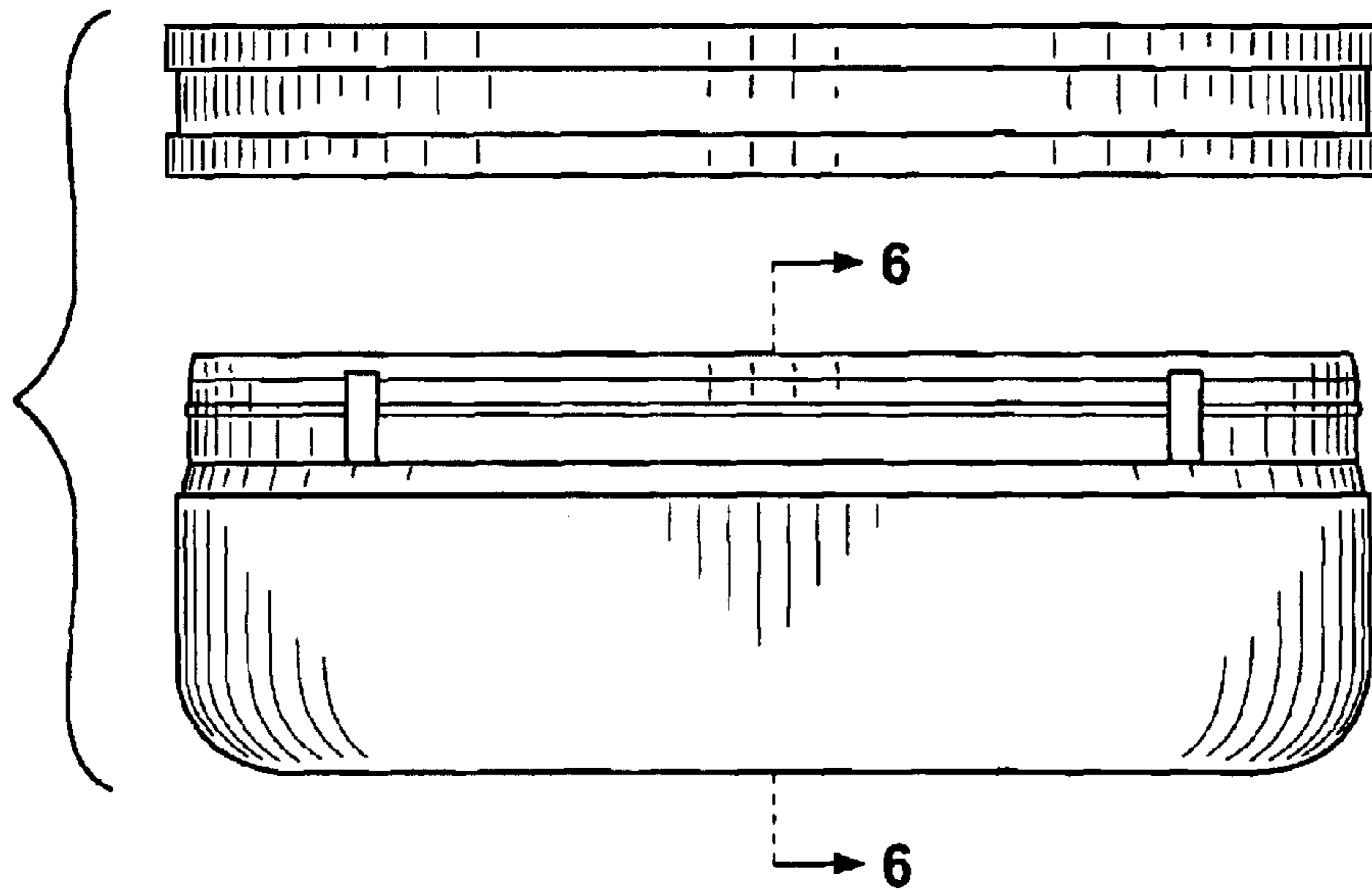


FIG. 3

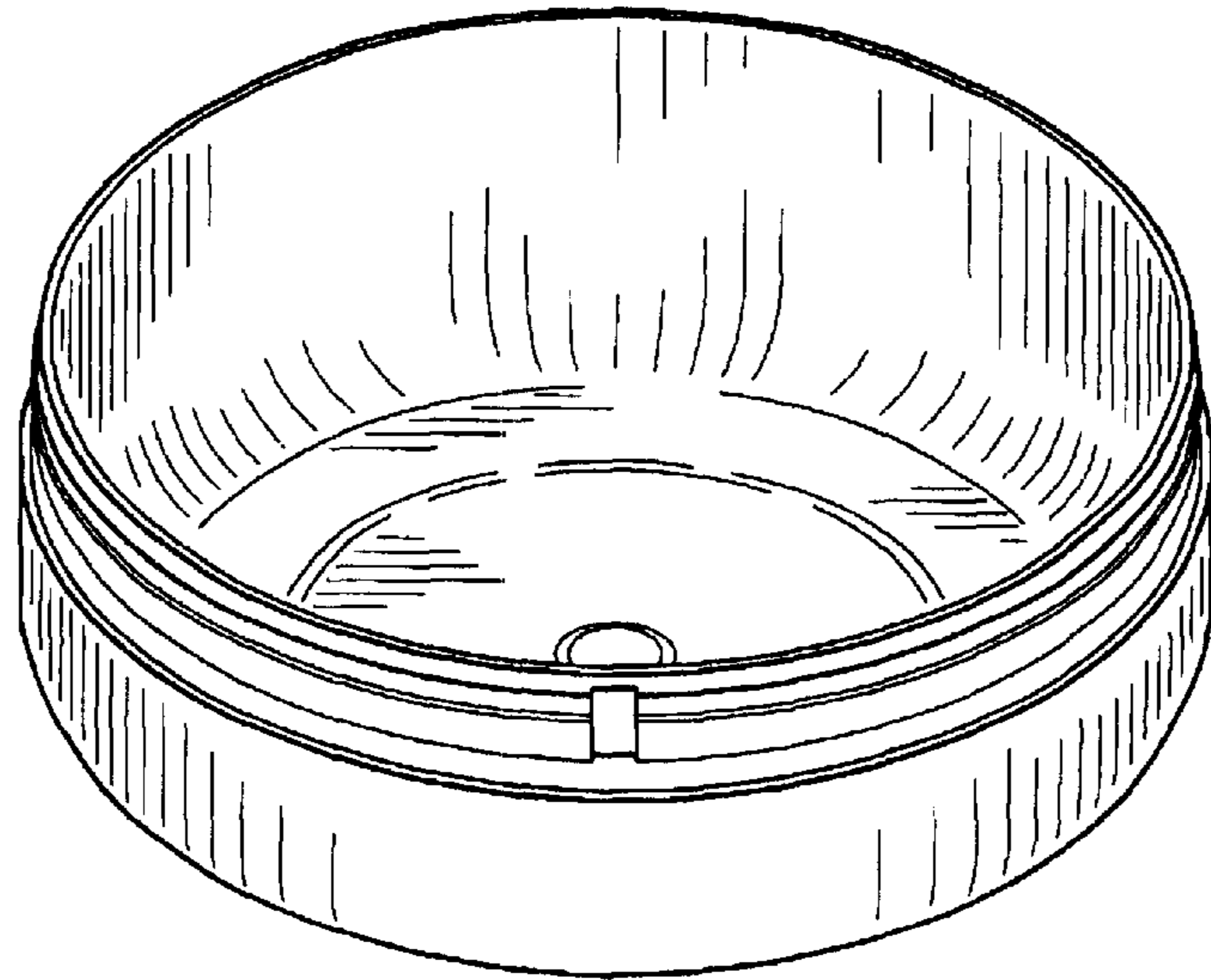


FIG. 4

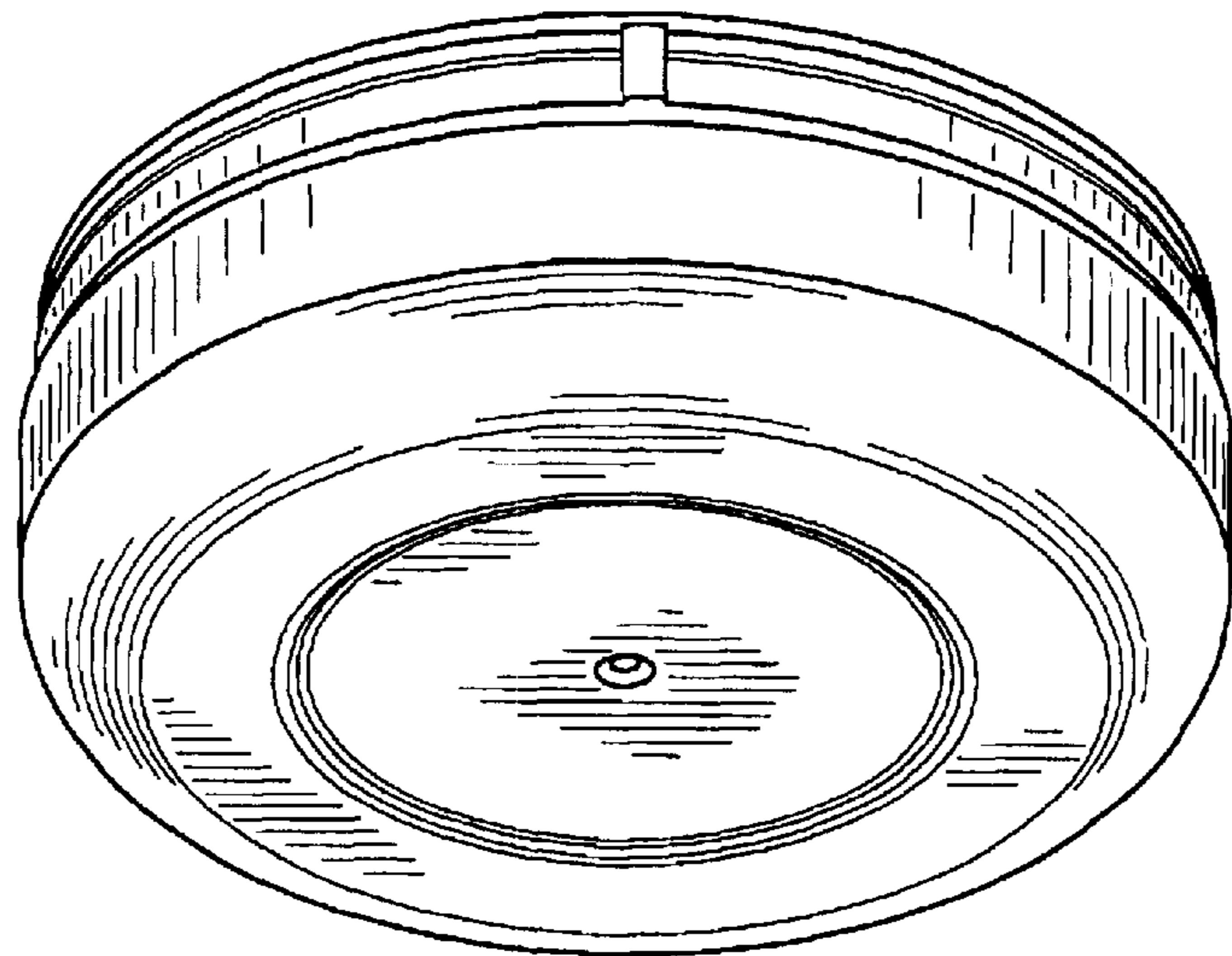


FIG. 5

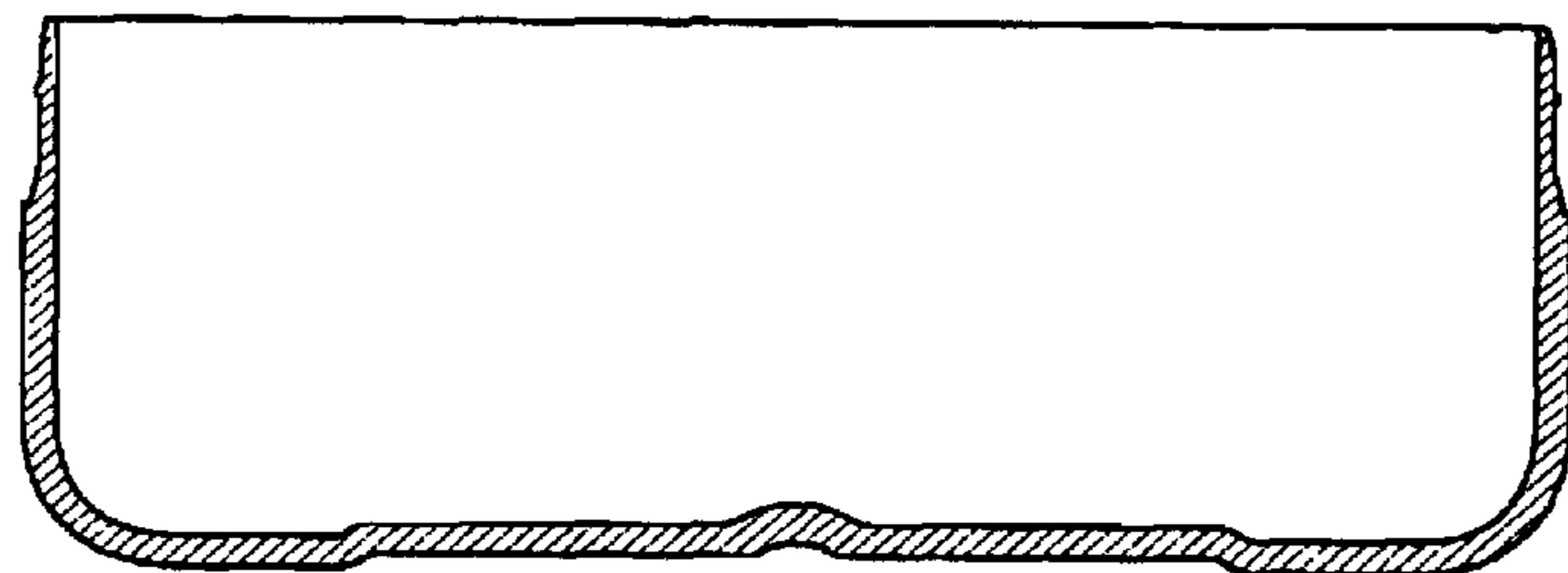


FIG. 6

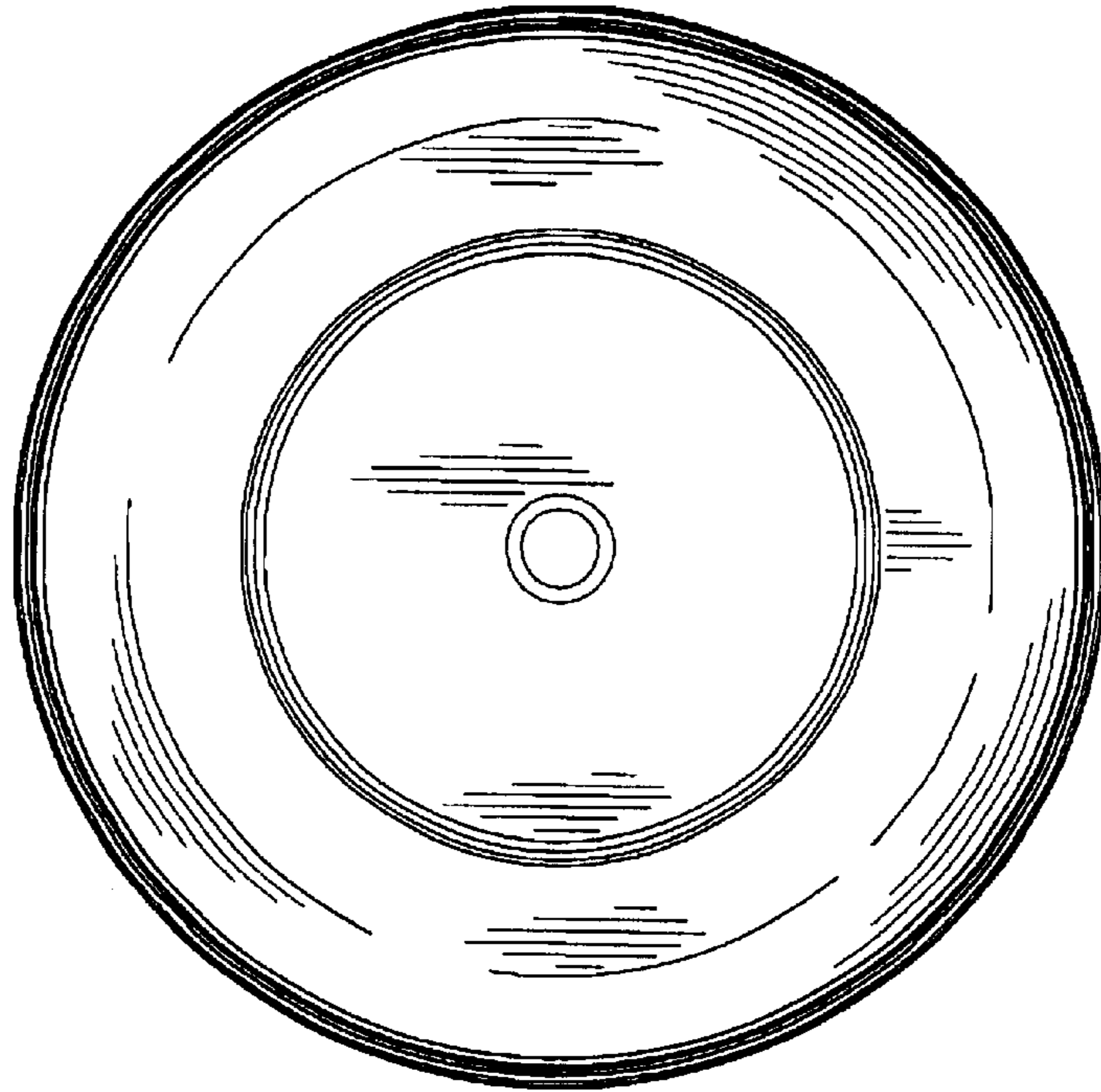


FIG. 7

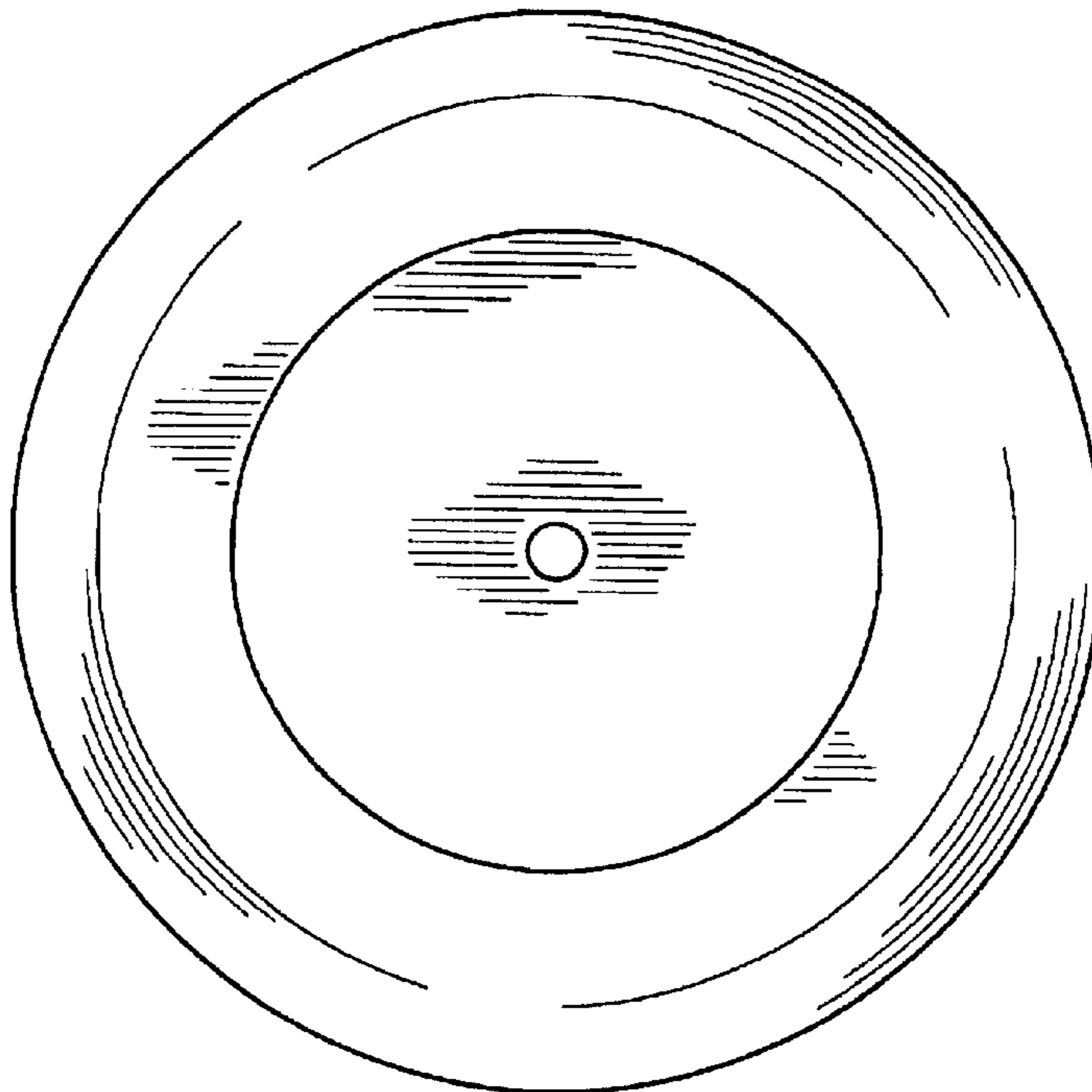


FIG. 8

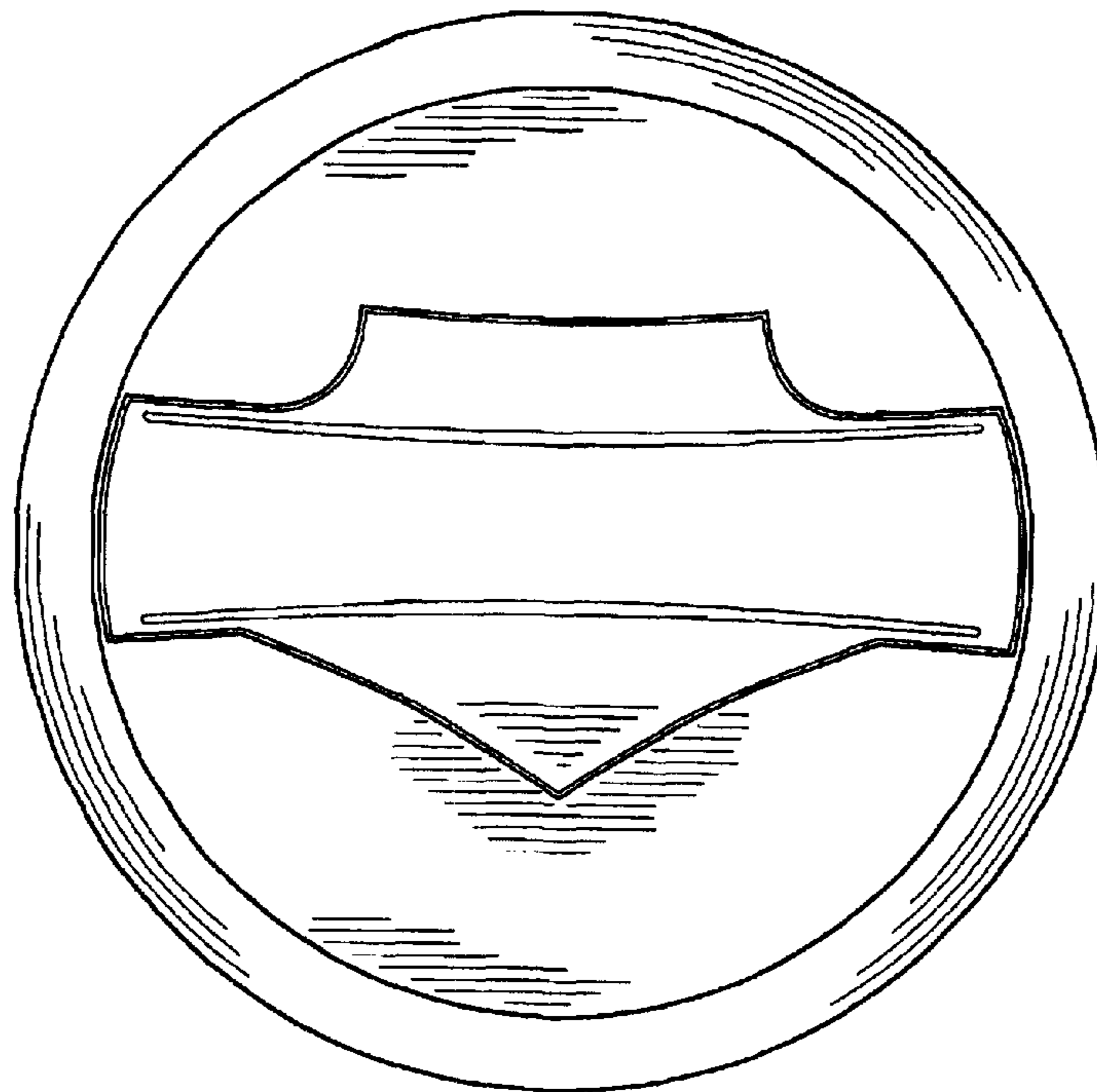


FIG. 9

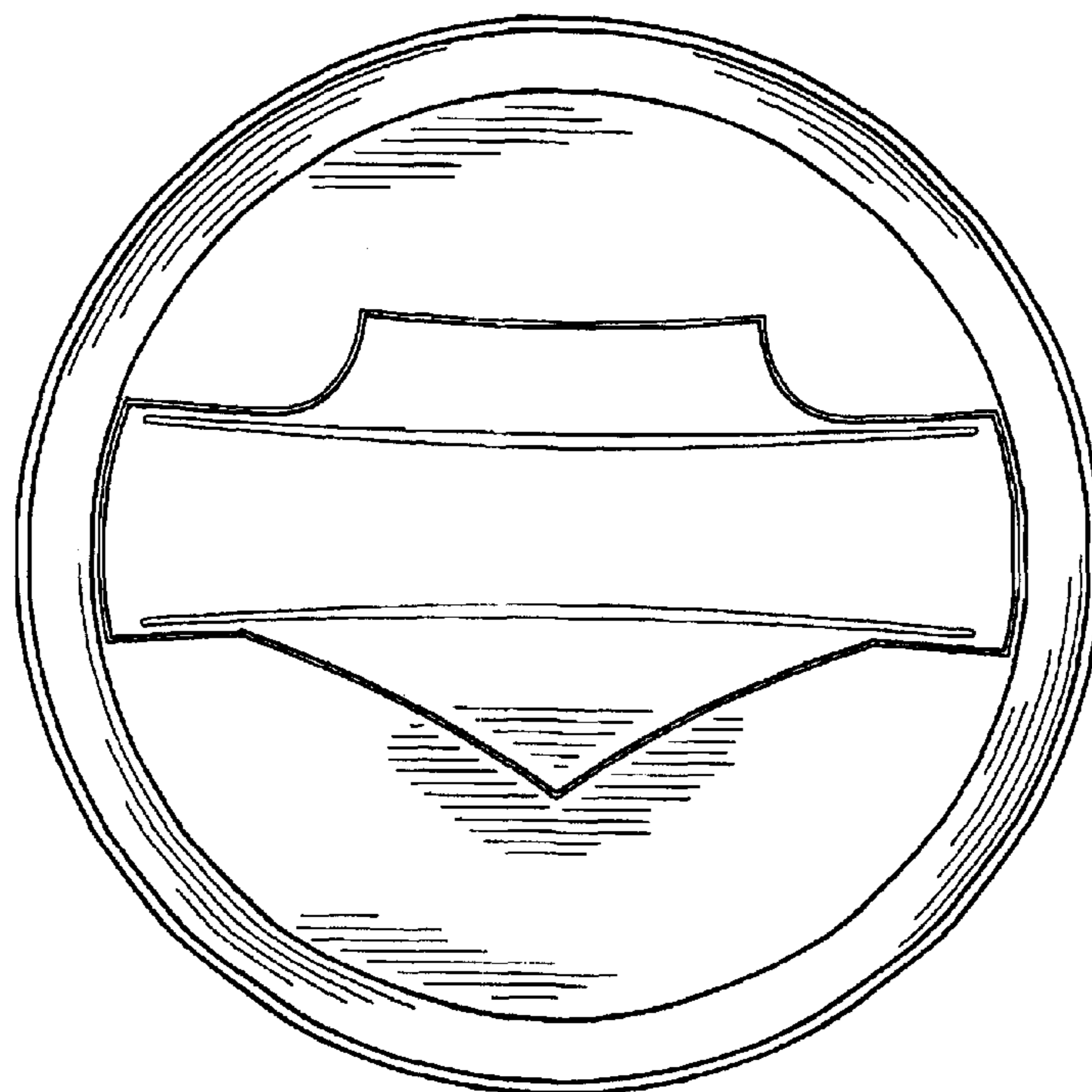


FIG. 10