



US00D541174S

(12) **United States Design Patent**
Spellissy

(10) **Patent No.:** **US D541,174 S**

(45) **Date of Patent:** **** Apr. 24, 2007**

(54) **SET OF CONTAINERS**

(75) Inventor: **Kevin Spellissy**, Sparta, NJ (US)

(73) Assignee: **Fuji Hunt Photographic Chemicals, Inc.**, Allendale, NJ (US)

(**) Term: **14 Years**

(21) Appl. No.: **29/188,065**

(22) Filed: **Aug. 13, 2003**

(51) **LOC (8) Cl.** **09-01**

(52) **U.S. Cl.** **D9/738; D9/502; D9/528; D9/563; D9/574**

(58) **Field of Classification Search** D9/500, D9/502, 516-517, 526-528, 531, 550, 553, D9/563, 566, 572-573, 574-575, 430-432, D9/738-740; D7/614, 686; 215/6, 10, 381-384, 215/396, 398; 220/23.4, 23.83
See application file for complete search history.

4,488,582 A	*	12/1984	Schilling	141/95
4,592,478 A	*	6/1986	Laconis	220/23.83
5,022,547 A	*	6/1991	Spangler et al.	220/23.4
D328,569 S	*	8/1992	Spelling	D9/562
5,135,116 A	*	8/1992	Panzetti	215/10
D361,938 S	*	9/1995	Sawa et al.	D9/563
D378,664 S	*	4/1997	Feen	D9/528
D426,161 S	*	6/2000	Hestehave et al.	D9/520
6,131,755 A	*	10/2000	Soyka et al.	215/382
D459,990 S	*	7/2002	Young et al.	D9/742
D481,837 S	*	11/2003	Iafelice	D30/199
D491,068 S	*	6/2004	Heliste et al.	D9/560
D493,711 S	*	8/2004	Foster	D9/738
D494,069 S	*	8/2004	Mayne	D9/528

* cited by examiner

Primary Examiner—Carol Rademaker

(74) *Attorney, Agent, or Firm*—Buchanan Ingersoll PC

(57) **CLAIM**

The ornamental design for a set of containers, as shown and described.

(56) **References Cited**

U.S. PATENT DOCUMENTS

1,353,920 A	*	9/1920	Layton	220/23.83
2,364,126 A	*	12/1944	Cantor et al.	215/247
3,658,204 A	*	4/1972	Bottger	220/23.4
D235,511 S	*	6/1975	Boy	D9/573
D244,256 S	*	5/1977	Dekker	D9/745
4,103,358 A		7/1978	Gacki et al.		
4,197,942 A		4/1980	Gacki et al.		
4,197,942 A		4/1980	Gacki et al.		
RE30,610 E		5/1981	Gacki et al.		
4,271,965 A		6/1981	Brambley et al.		
D261,985 S	*	11/1981	Fowles et al.	D9/549
D266,741 S	*	11/1982	Cox	D9/560

DESCRIPTION

FIG. 1 is a front elevational view of four different containers that form a set of containers showing my new design.

FIG. 2 is a rear elevational view thereof.

FIG. 3 is a right side elevational view thereof.

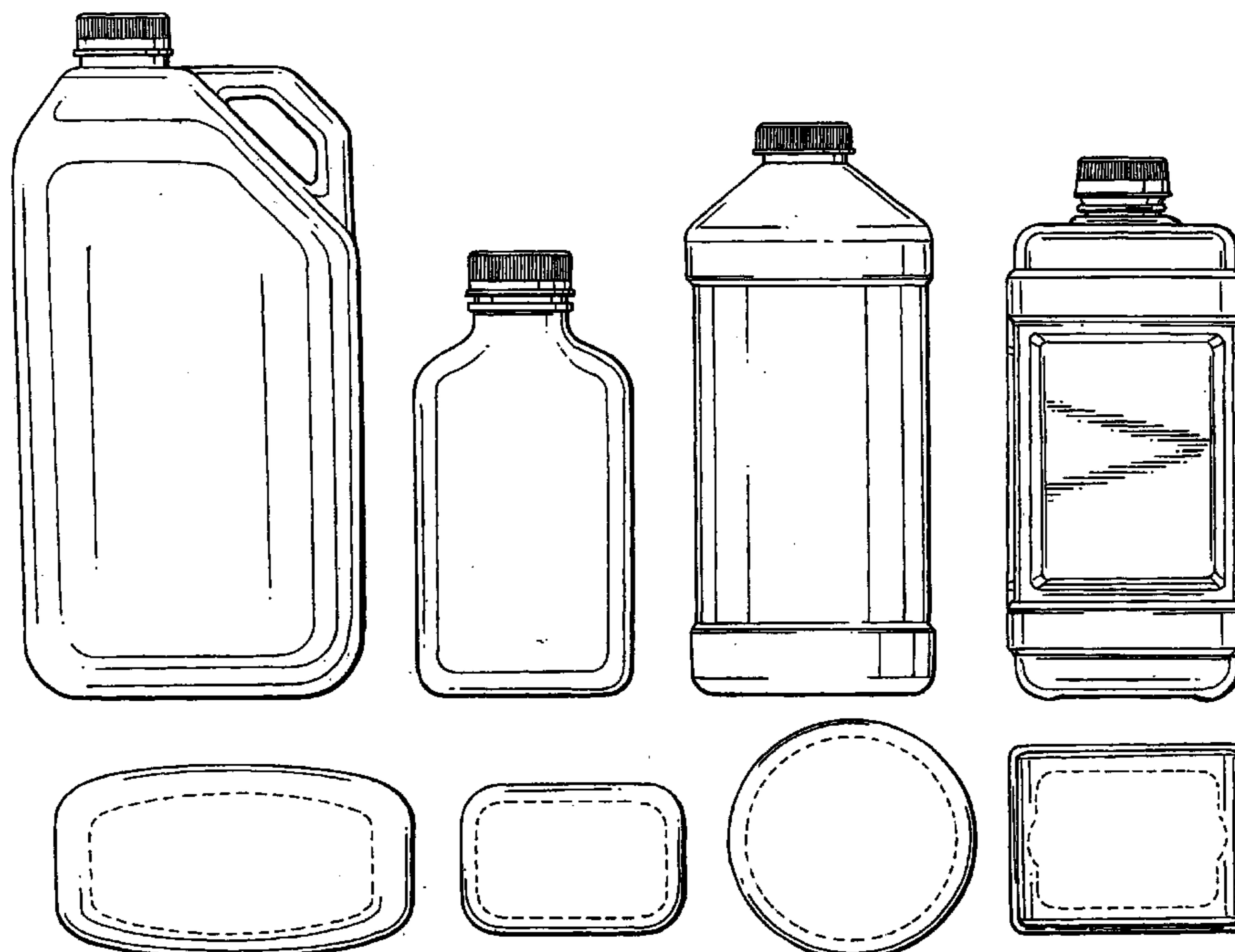
FIG. 4 is a left side elevational view thereof.

FIG. 5 is a top plan view thereof; and,

FIG. 6 is a bottom plan view thereof.

The broken lines shown in the FIG. 6 drawing view are for environmental purposes only and form no part of the claimed design.

1 Claim, 5 Drawing Sheets



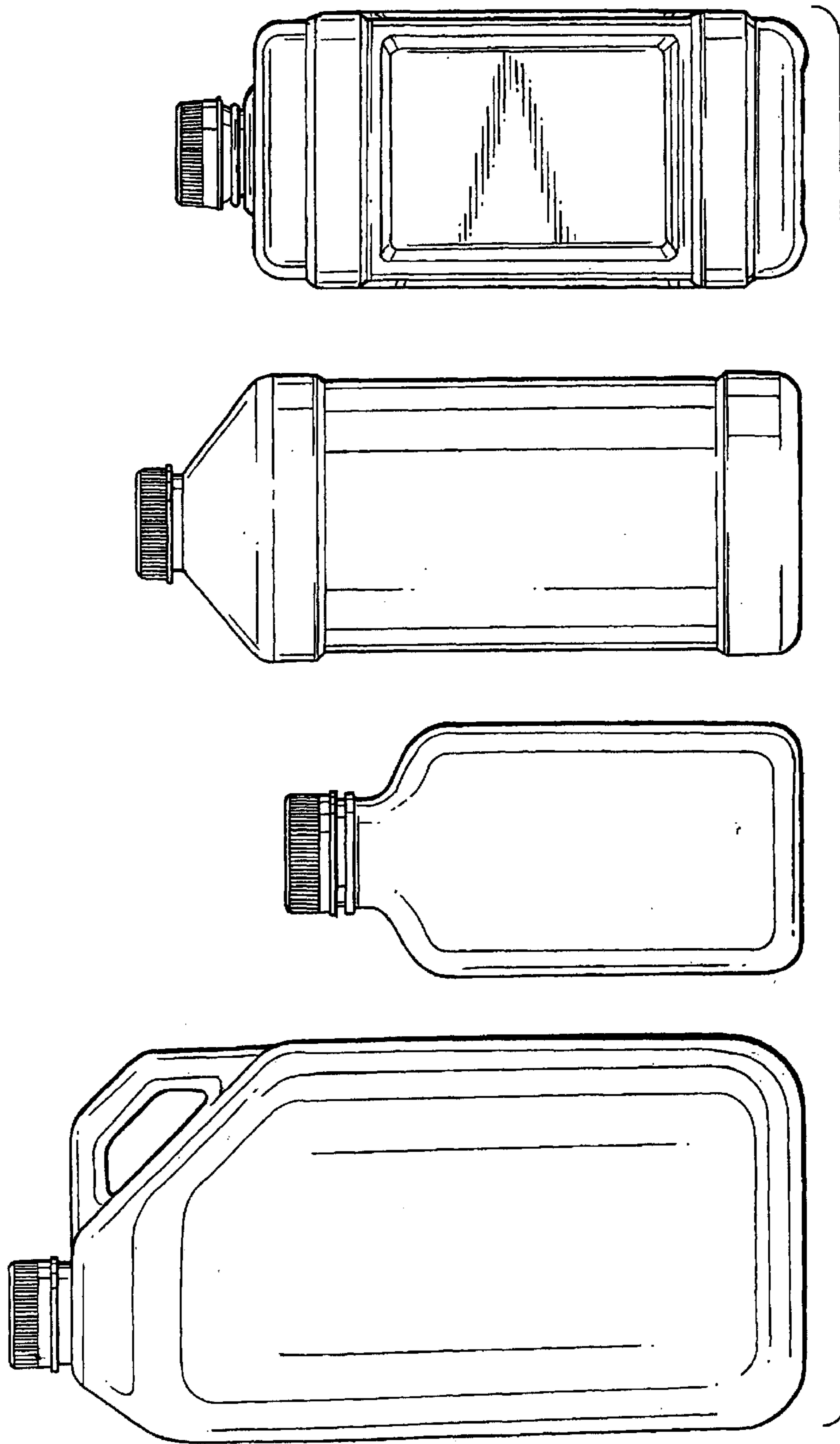


FIG. 1

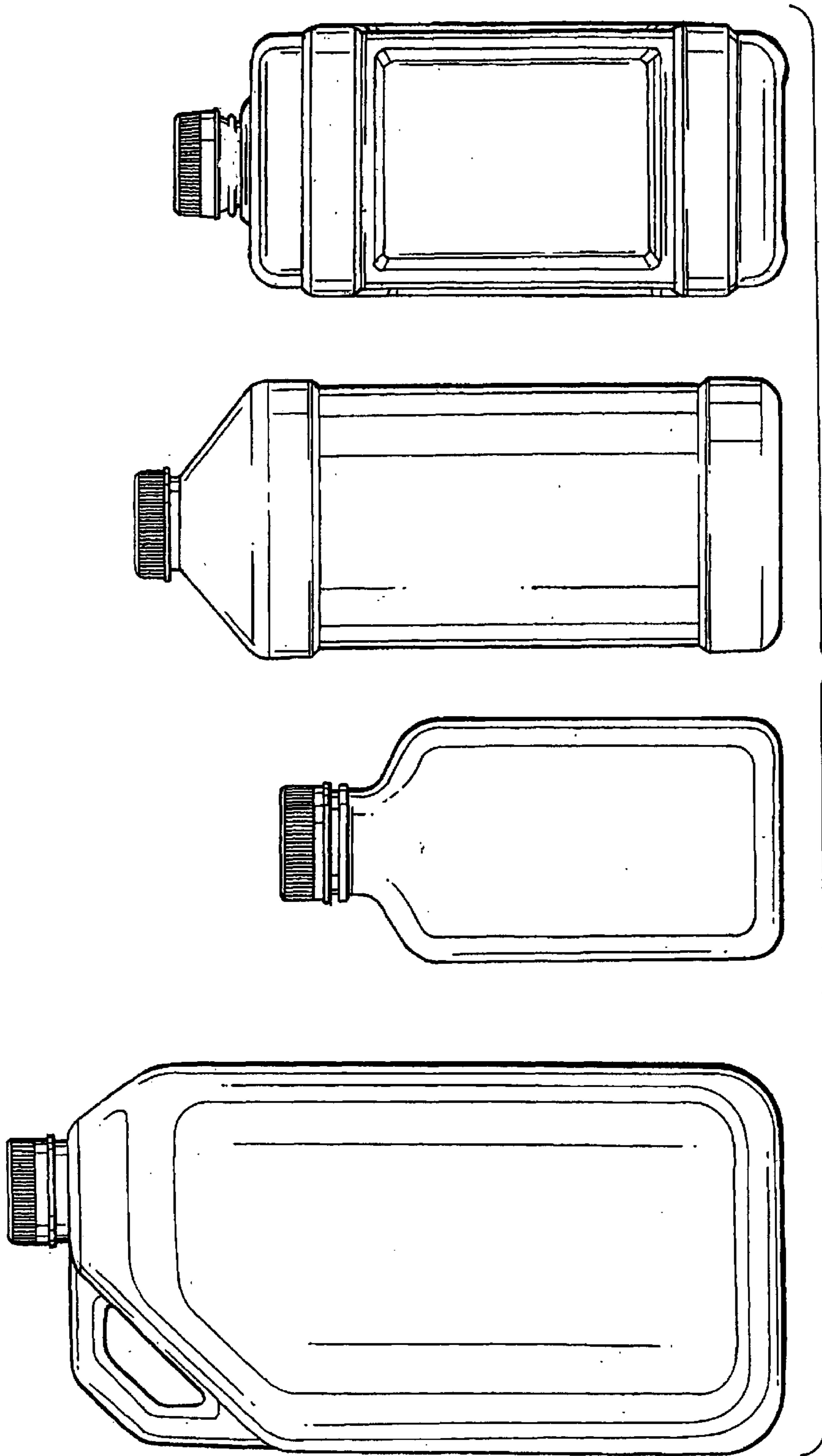


FIG. 2

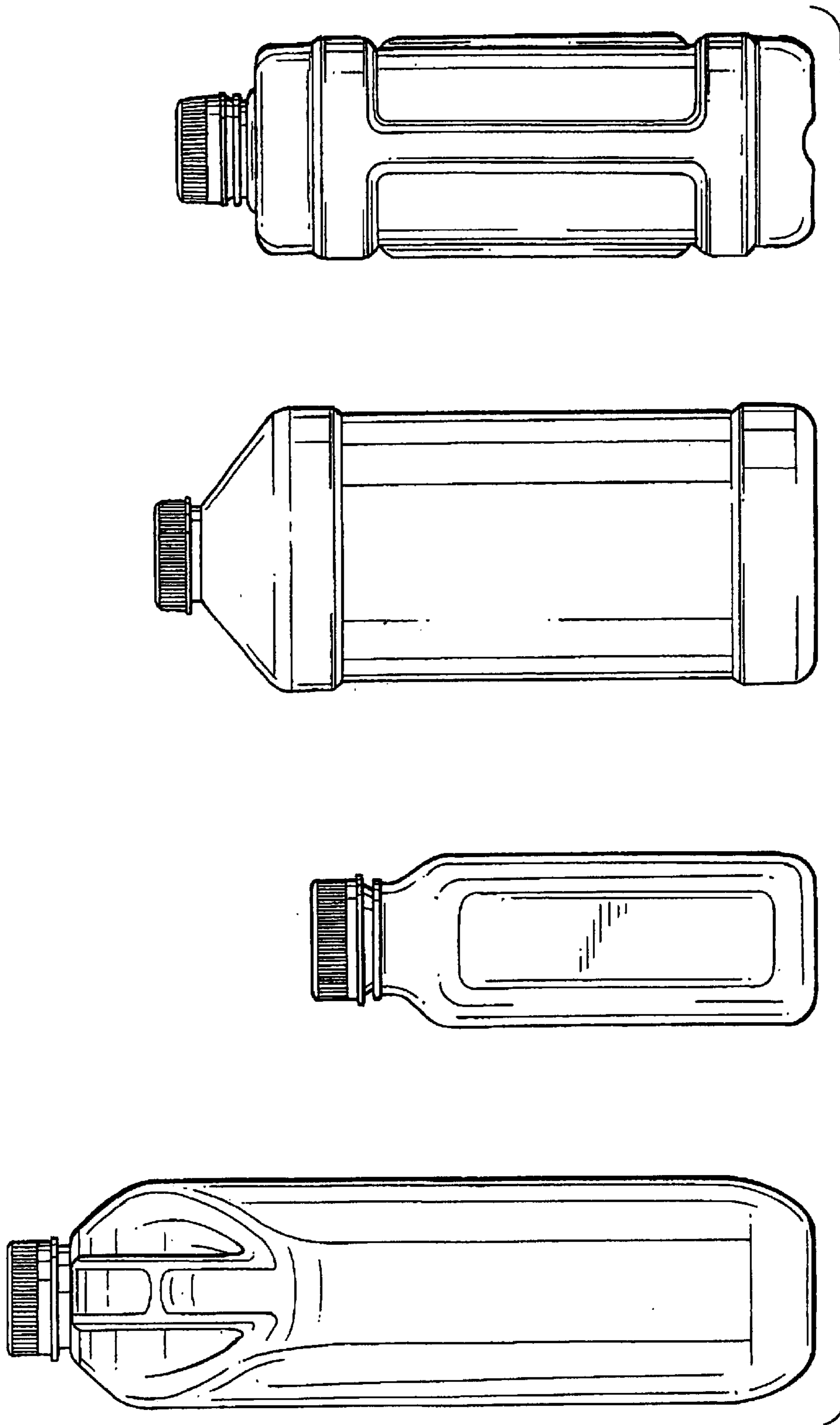


FIG. 3

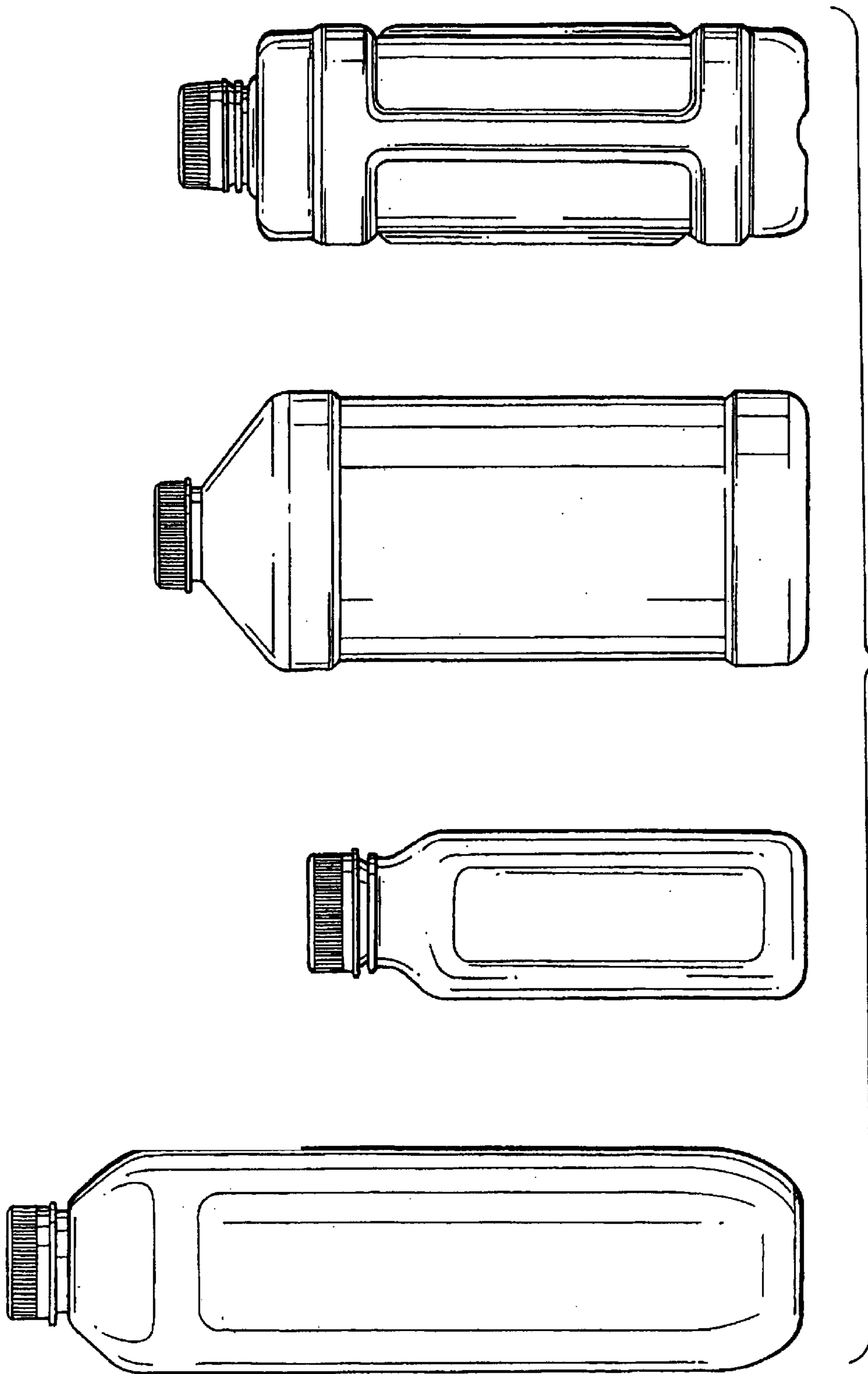


FIG. 4

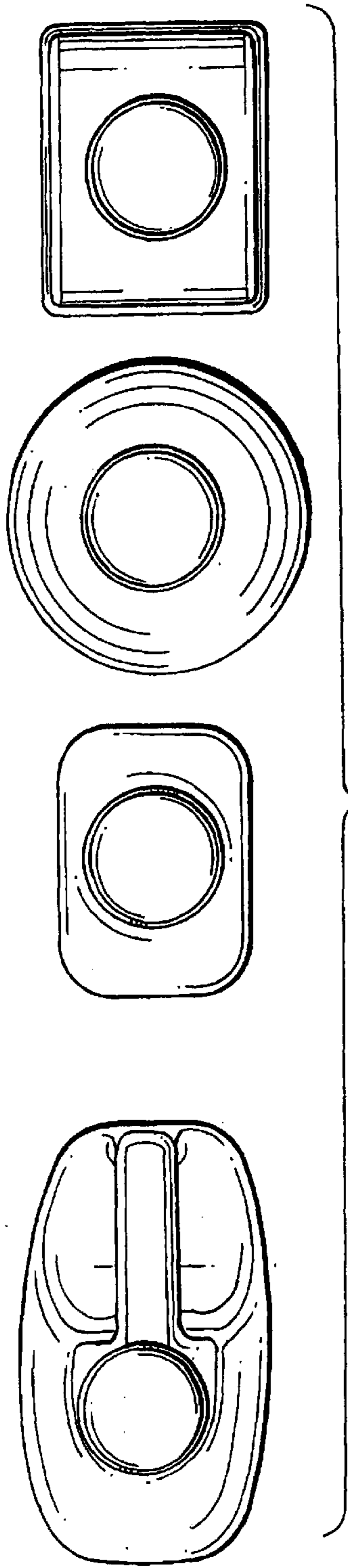


FIG. 5

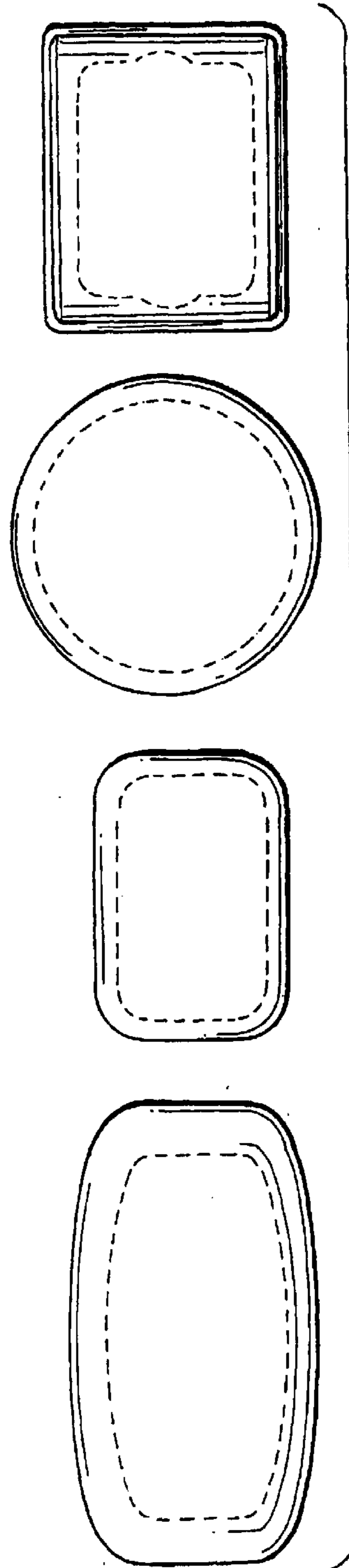


FIG. 6