

US00D541156S

(12) **United States Design Patent**
Florio

(10) **Patent No.:** **US D541,156 S**

(45) **Date of Patent:** **** Apr. 24, 2007**

(54) **JAR CLOSURE**

(75) **Inventor:** **Lynne M. Florio**, New York, NY (US)

(73) **Assignee:** **La Prairie, Inc.**, Edison, NJ (US)

(**) **Term:** **14 Years**

(21) **Appl. No.:** **29/233,105**

(22) **Filed:** **Jun. 28, 2005**

(51) **LOC (8) Cl.** **09-07**

(52) **U.S. Cl.** **D9/454**

(58) **Field of Classification Search** D9/726,
D9/723, 529, 503, 500, 454, 447, 445, 444,
D9/435, 434; D7/392.1; D4/137; D28/88,
D28/85, 82, 76, 7, 58; D19/57, 43; 220/798;
215/382, 322, 316, 317, 318, 307, 276, 200
See application file for complete search history.

(56) **References Cited**

U.S. PATENT DOCUMENTS

D62,098 S	*	3/1923	Brill	D9/504
1,467,151 A	*	9/1923	Freundt	132/294
1,860,550 A	*	5/1932	Pfeiffer	206/581
D153,938 S		5/1949	Graham		
D209,789 S	*	1/1968	Heston	D9/435
D272,804 S		2/1984	Braun		
D274,848 S		7/1984	Chevassus		
D280,975 S		10/1985	Van Dine		
D281,764 S		12/1985	Legrottaglie		
D282,630 S	*	2/1986	Braun	D9/504
D292,693 S	*	11/1987	Cattaneo	D12/211
D303,584 S	*	9/1989	Bakic	D28/91
D322,753 S		12/1991	Sussman		
D373,220 S		8/1996	Lund et al.		
D388,549 S		12/1997	Mouyiaris et al.		
D391,162 S		2/1998	Kokenge		
D396,329 S	*	7/1998	Litton	D28/82
D398,079 S	*	9/1998	Denison	D28/82
D400,787 S		11/1998	Keener		
D406,396 S		3/1999	Granwehr		
D411,742 S	*	6/1999	Kokenge et al.	D9/434
D411,747 S		6/1999	Kokenge et al.		
D411,800 S	*	7/1999	Kokenge et al.	D9/454
D424,749 S		5/2000	Zalzal		
D424,750 S		5/2000	Zalzal		

D424,943 S		5/2000	Kokenge et al.		
D446,456 S		8/2001	Adachi et al.		
D457,433 S	*	5/2002	Costanzo et al.	D9/454
D470,273 S		2/2003	Revivo		
D473,345 S		4/2003	Thorpe		
D474,405 S		5/2003	Togasawa		
D476,233 S		6/2003	Versace		
D477,225 S		7/2003	Pinnavaia		
D480,307 S		10/2003	Canamasas Puigbo		
D484,644 S		12/2003	Noh		
D485,016 S		1/2004	Noh		
D485,017 S		1/2004	Noh		
D486,393 S		2/2004	Chuang		
D512,914 S	*	12/2005	Moretti	D9/454
D515,516 S	*	2/2006	Mayo et al.	D13/171

* cited by examiner

Primary Examiner—Robert M. Spear

Assistant Examiner—Susan Bennett Hattan

(74) *Attorney, Agent, or Firm*—Sonnenschein Nath & Rosenthal LLP

(57) **CLAIM**

The ornamental design for a jar closure, as shown and described.

DESCRIPTION

The interiors of the jar closure do not constitute a part of the claimed design.

FIG. 1 is a perspective of a first embodiment of the present invention;

FIG. 2 is a front elevation of the first embodiment;

FIG. 3 is a rear elevation of the first embodiment;

FIG. 4 is a right side elevation of the first embodiment;

FIG. 5 is a left side elevation of the first embodiment;

FIG. 6 is a top plan of the first embodiment;

FIG. 7 is a perspective of a second embodiment of the present invention;

FIG. 8 is a front elevation of the second embodiment;

FIG. 9 is a rear elevation of the second embodiment;

FIG. 10 is a right side elevation of the second embodiment;

FIG. 11 is a left side elevation of the second embodiment;

and,

FIG. 12 is a top plan of the second embodiment.

The portions illustrated in phantom throughout are for illustrative purposes only and do not constitute part of the claimed design.

1 Claim, 2 Drawing Sheets

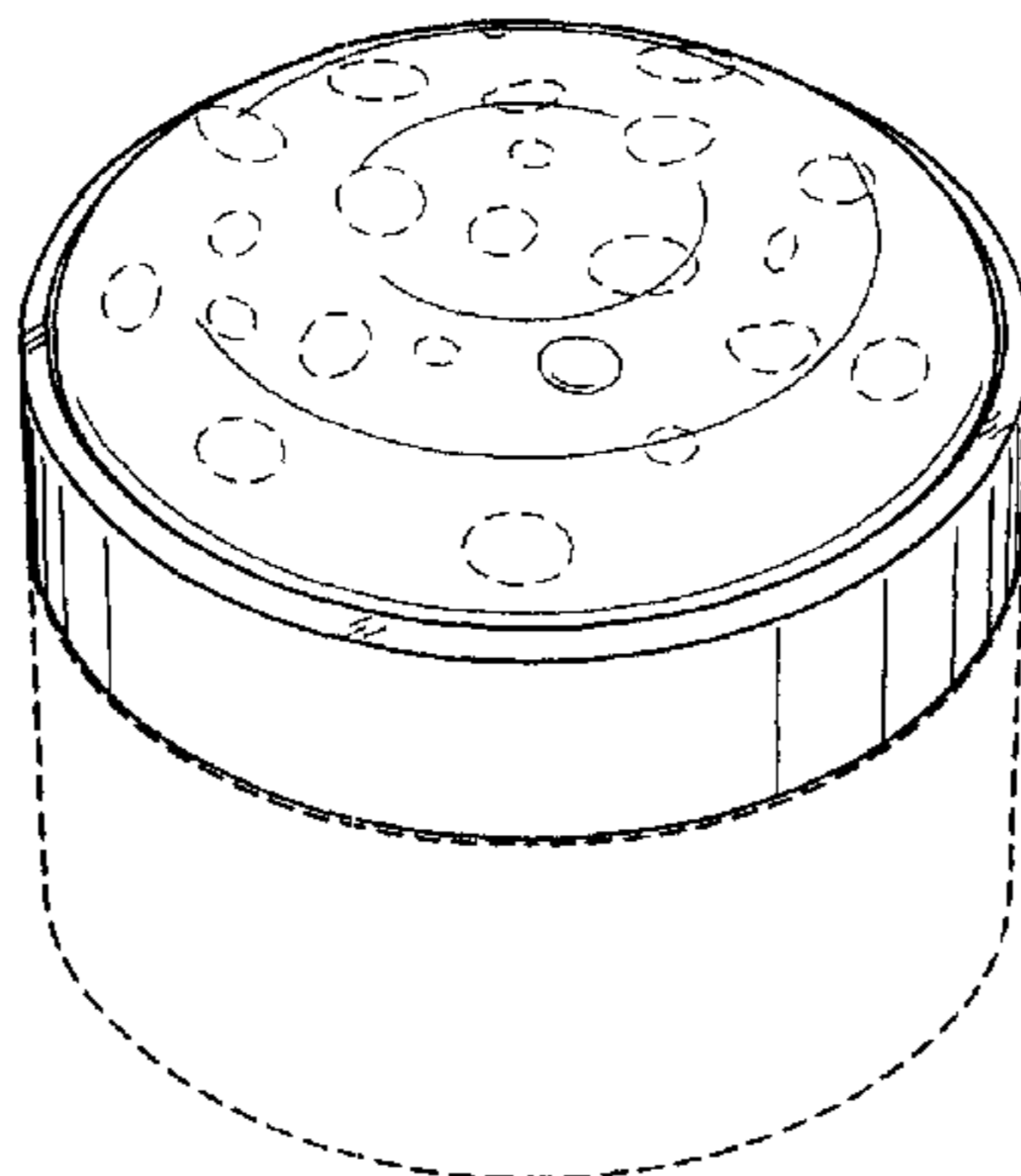


FIG. 1

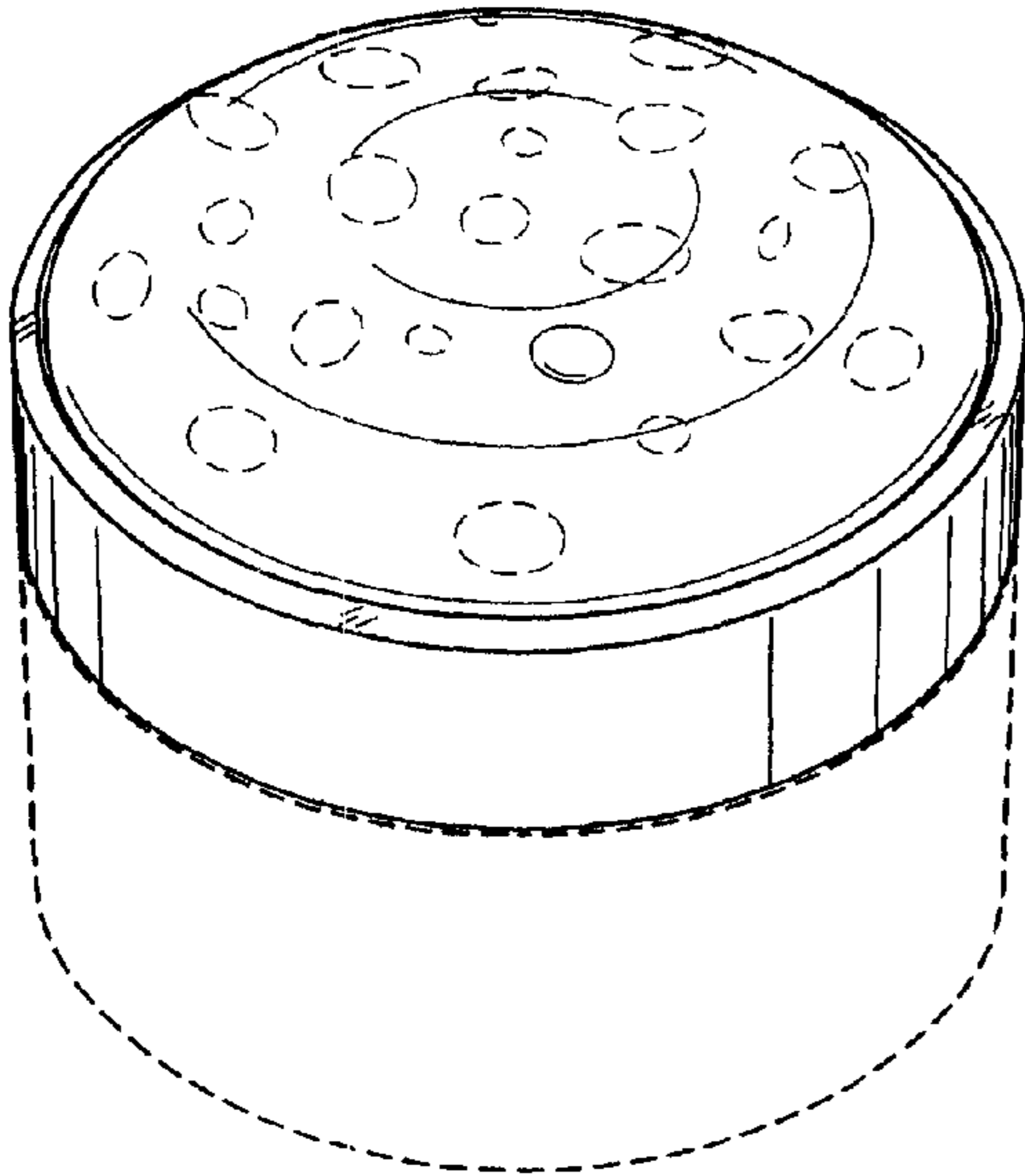


FIG. 2

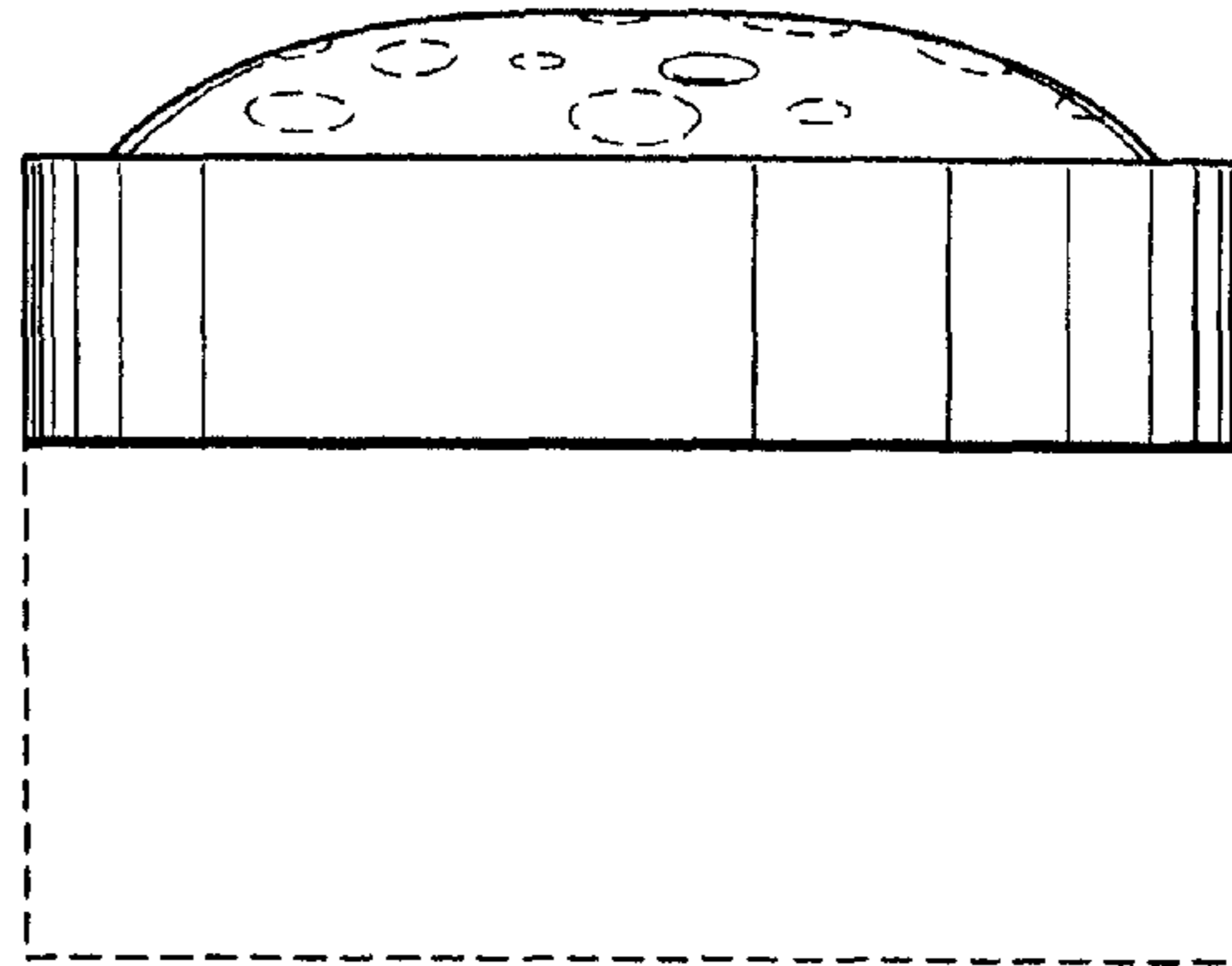


FIG. 3

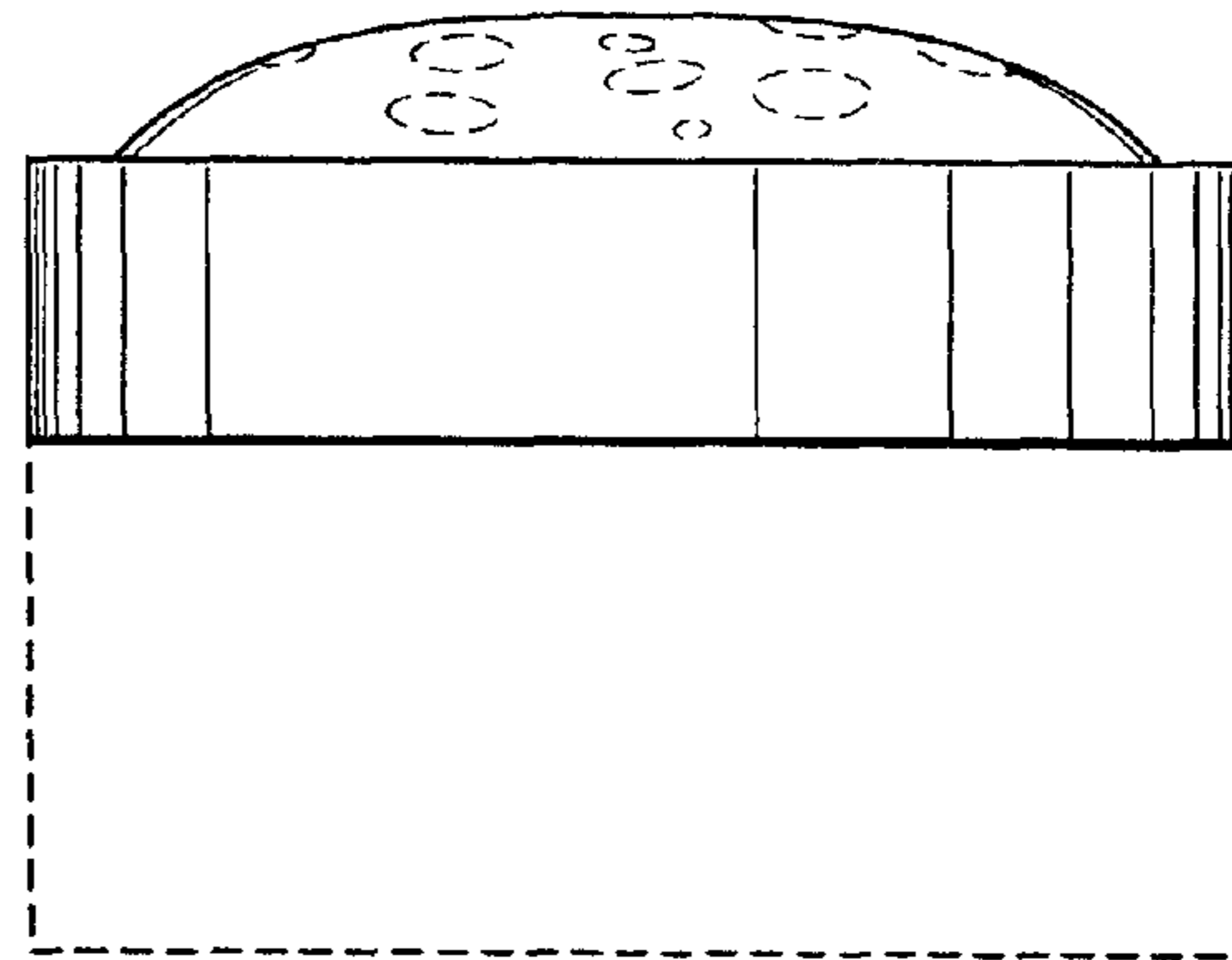


FIG. 4

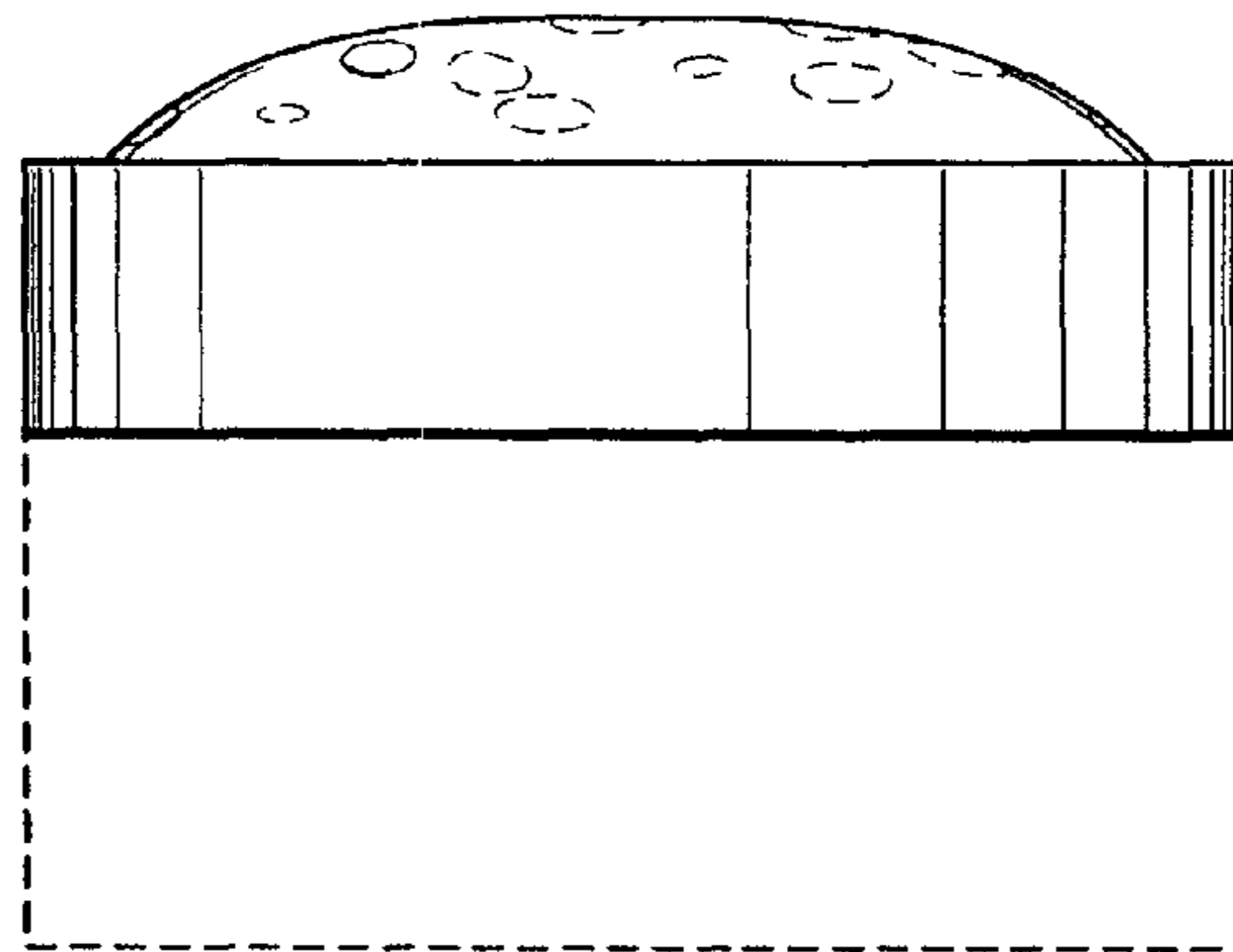


FIG. 5

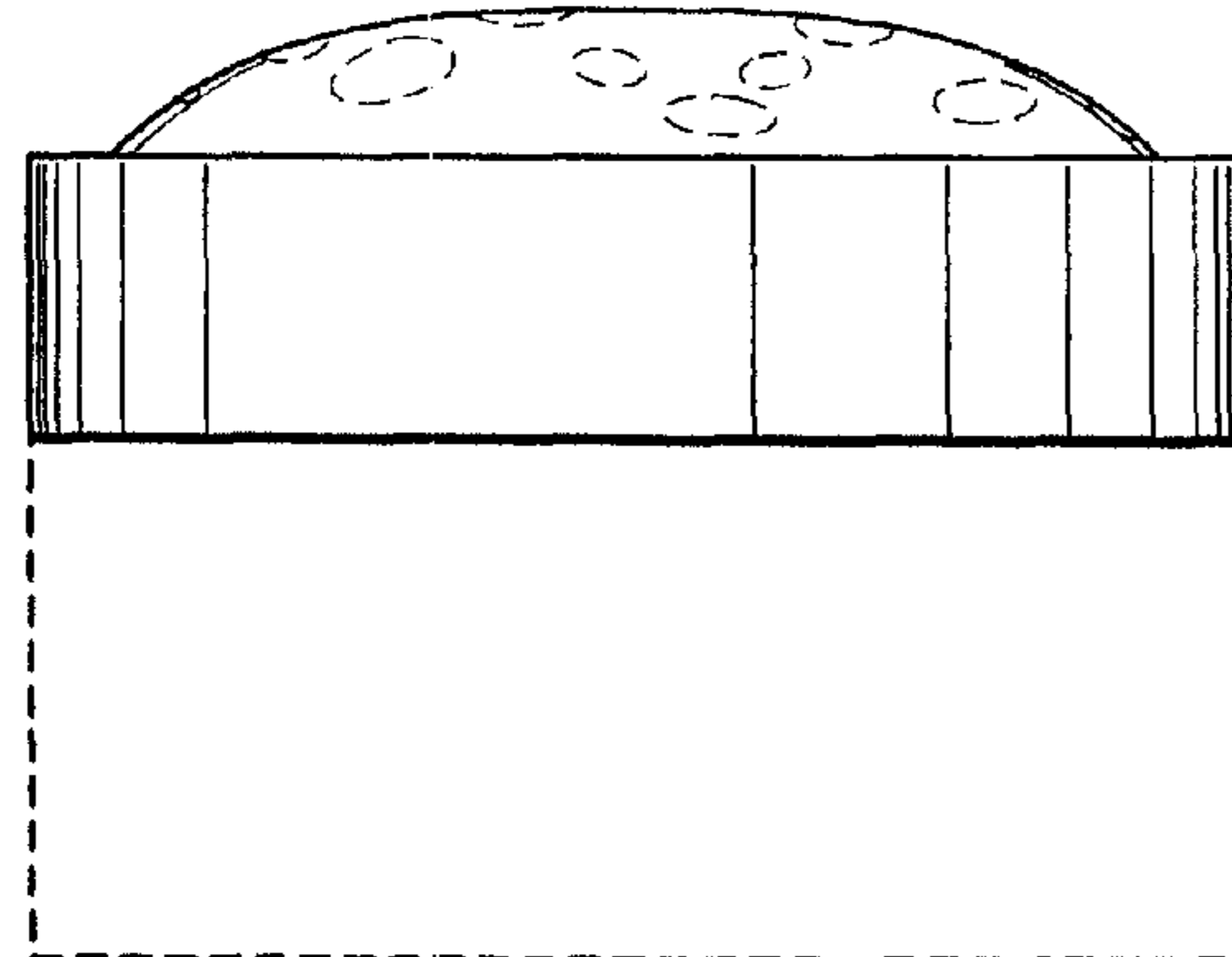


FIG. 6

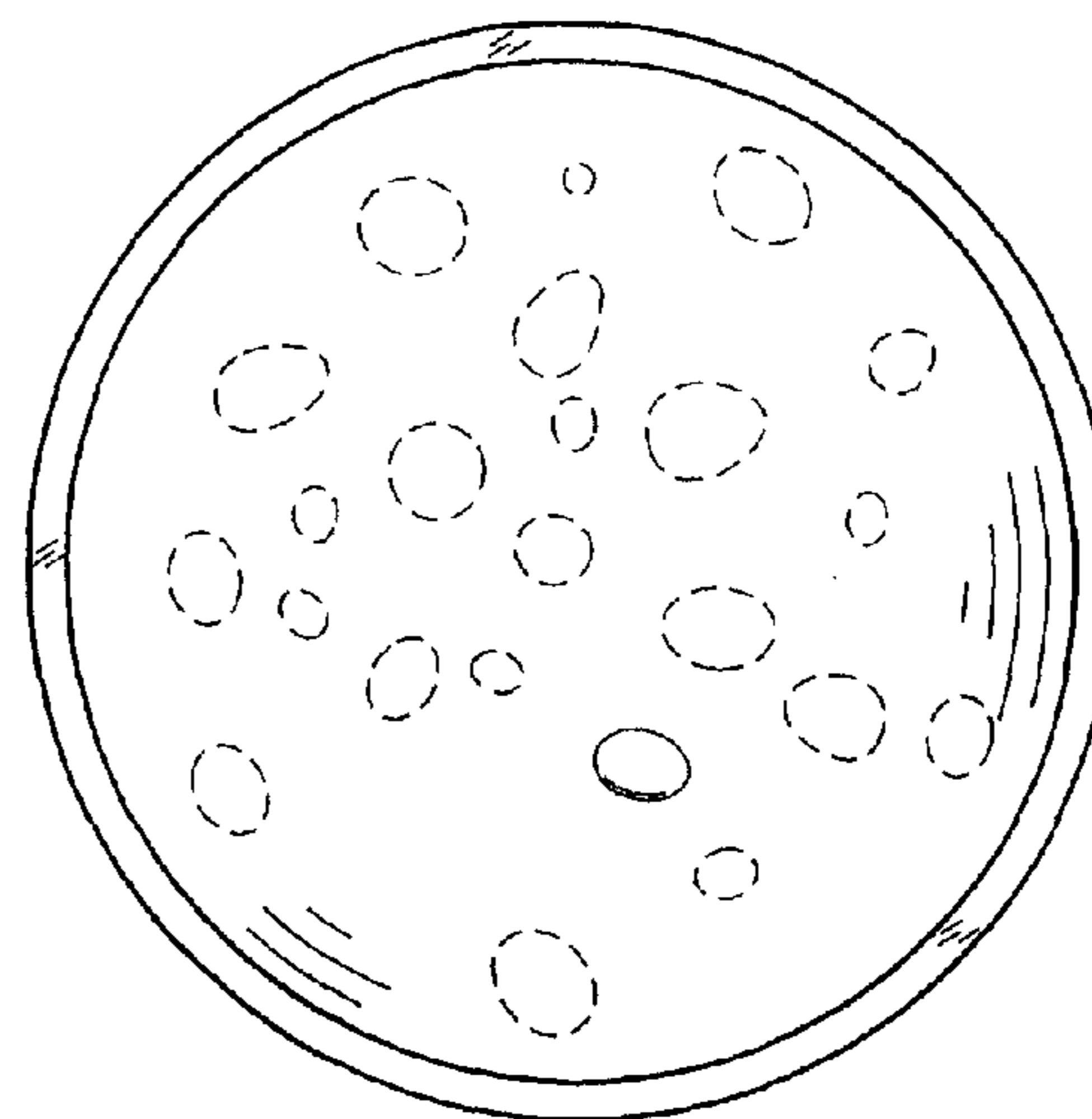


FIG. 7

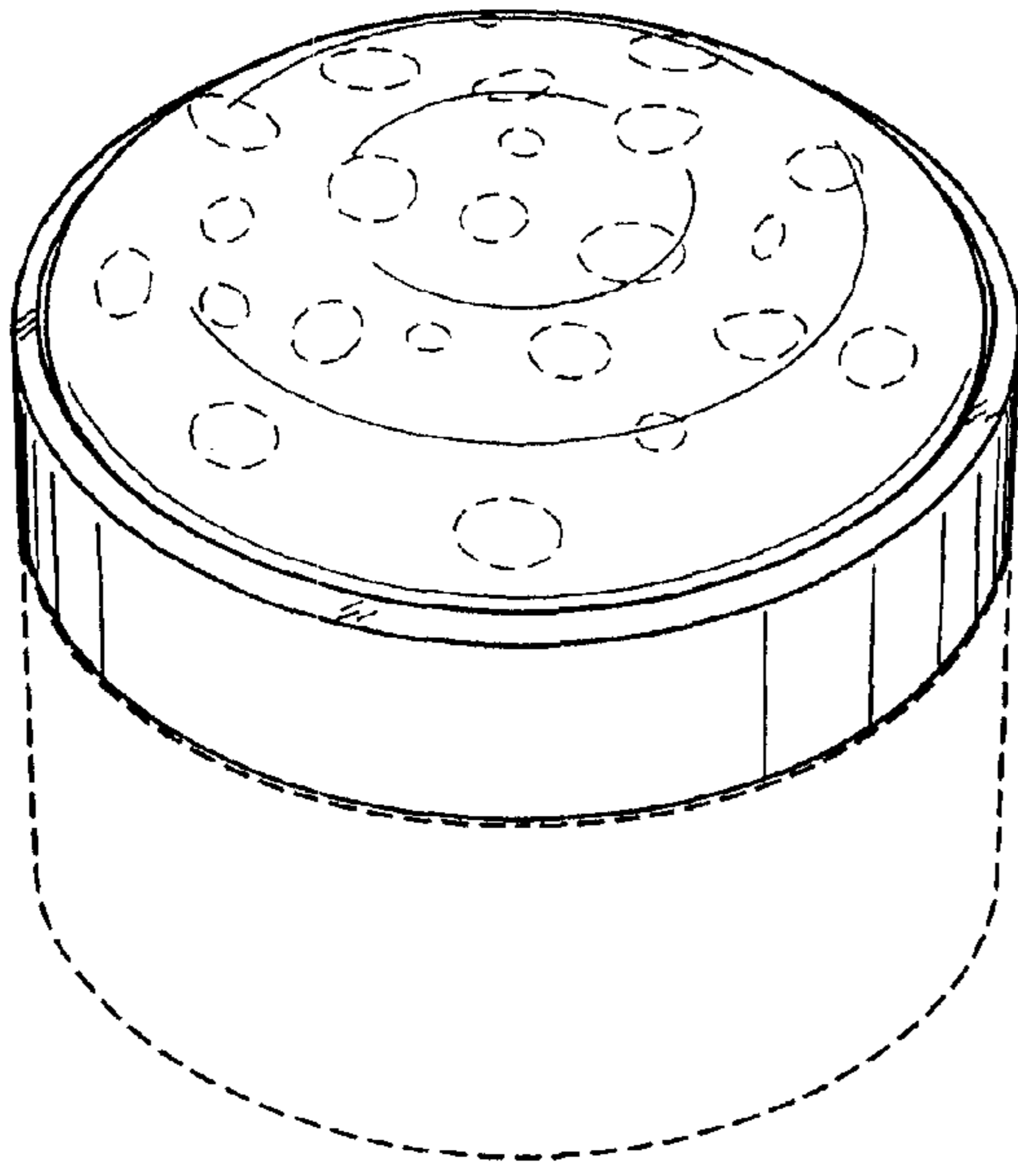


FIG. 8

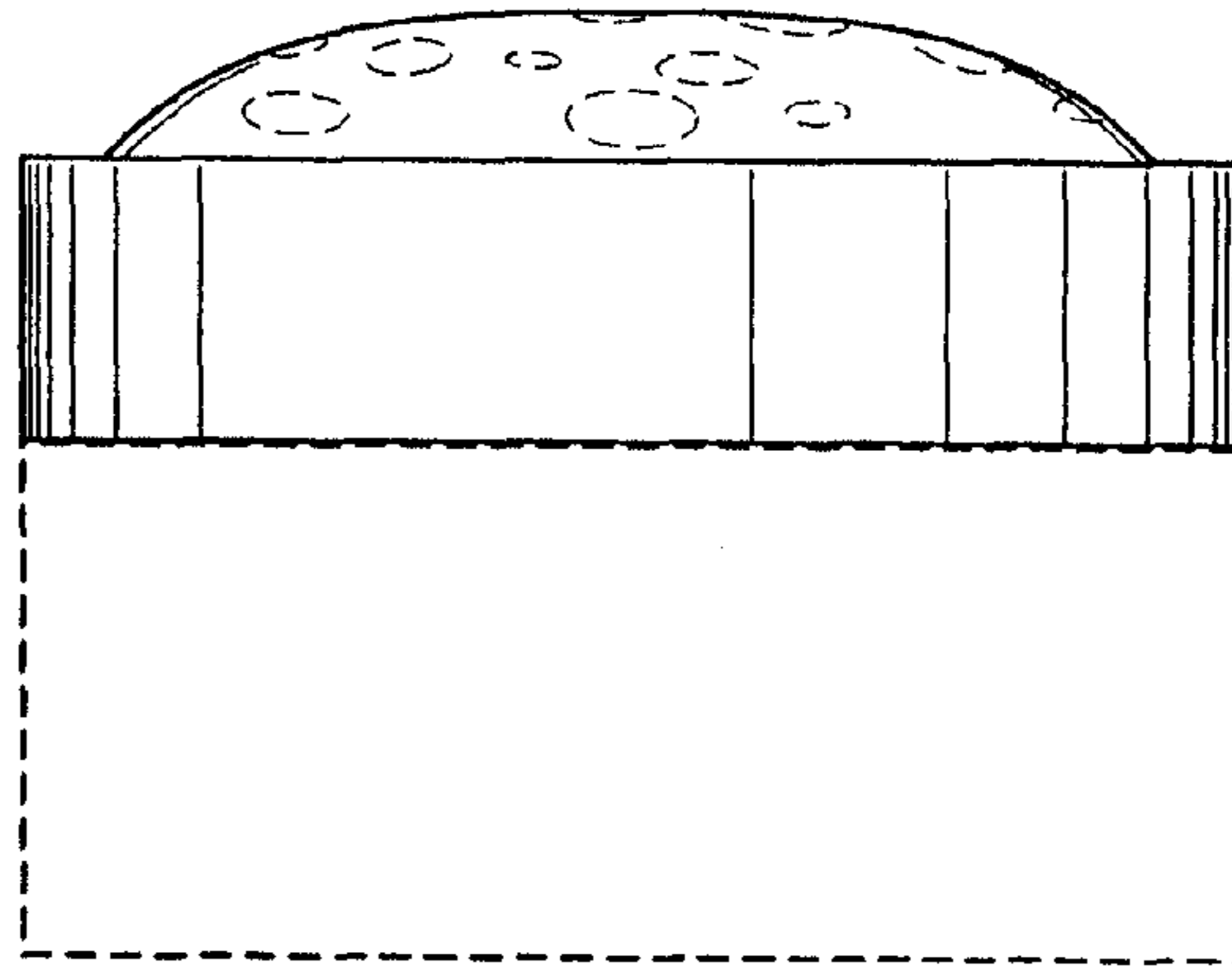


FIG. 9

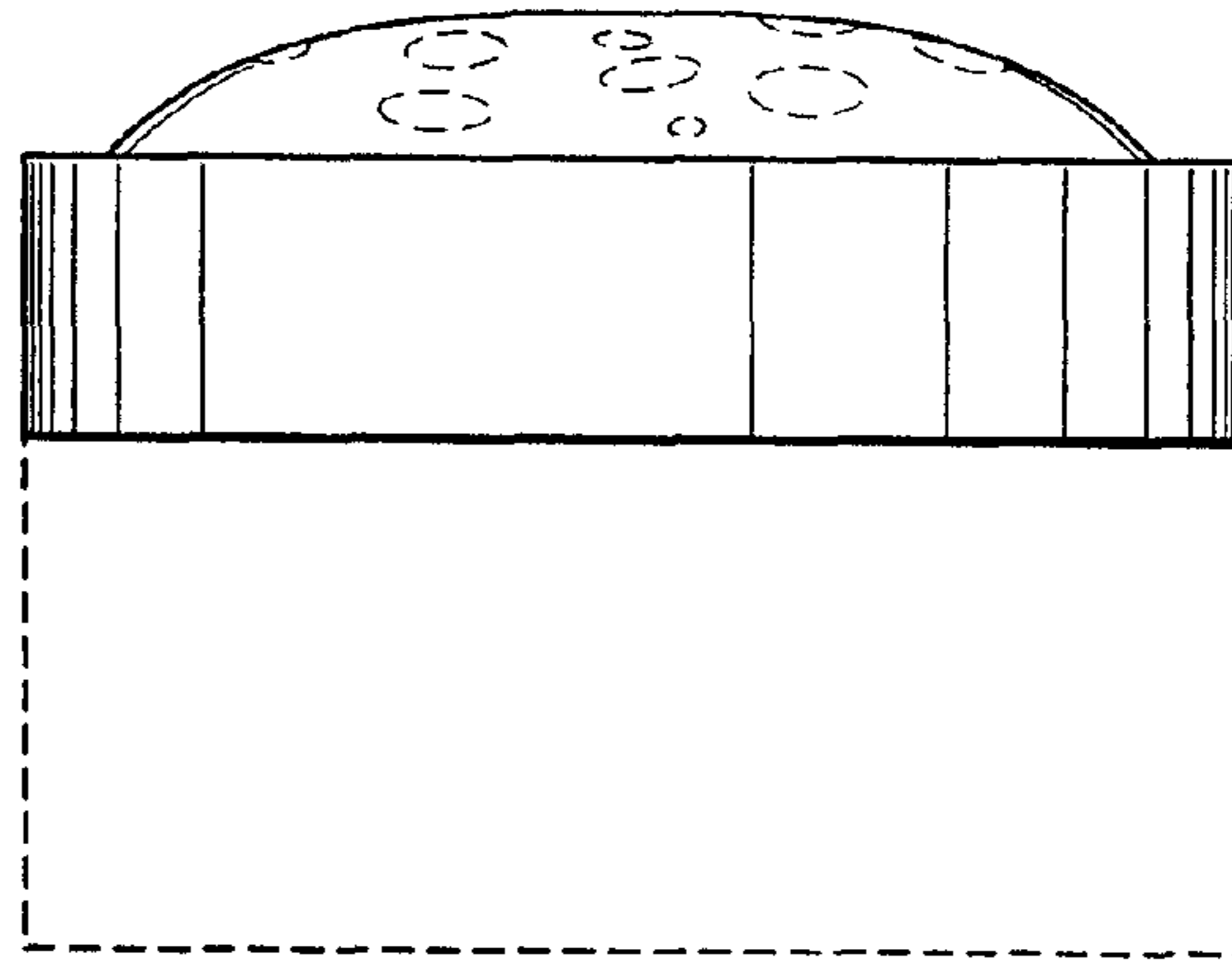


FIG. 10

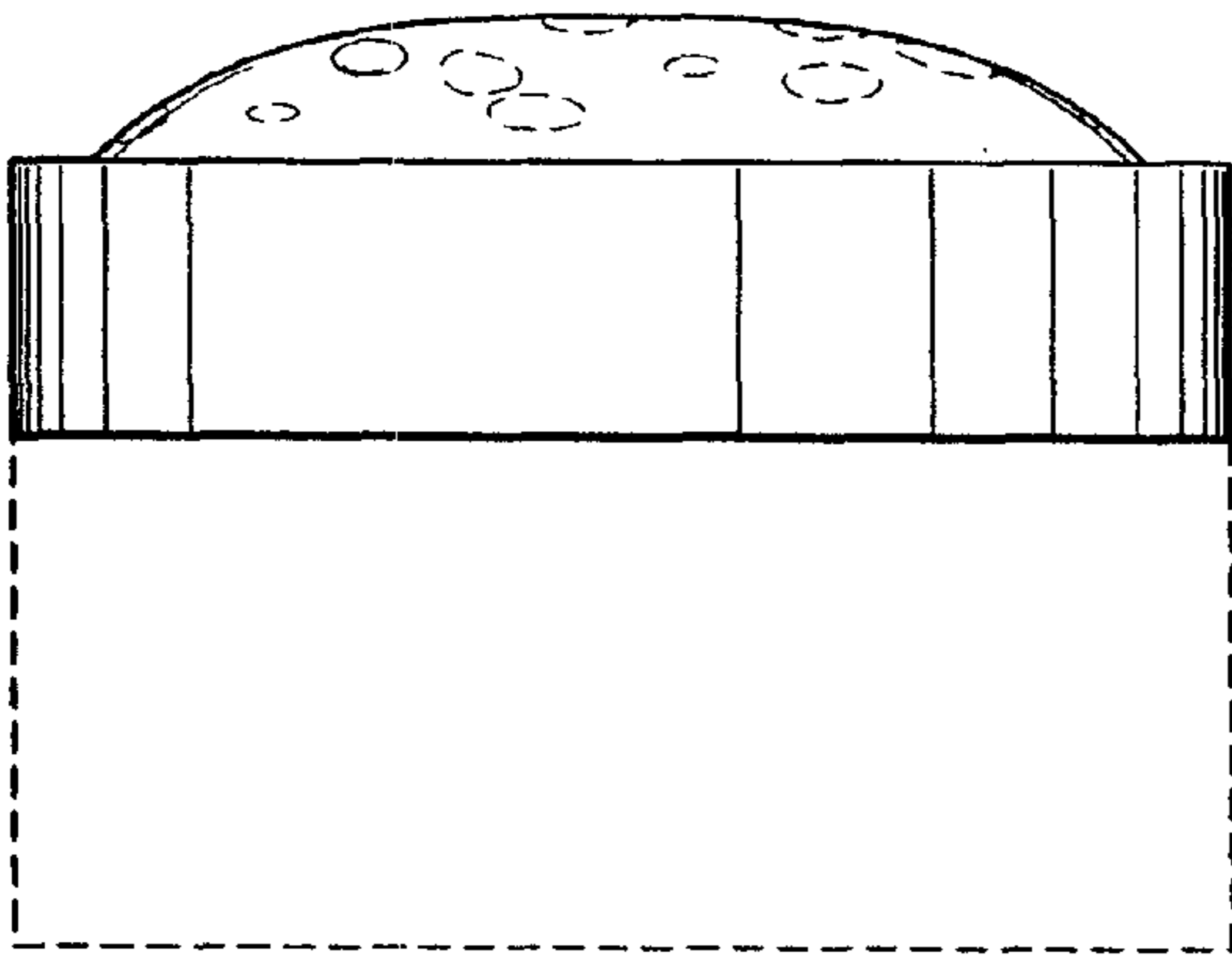


FIG. 11

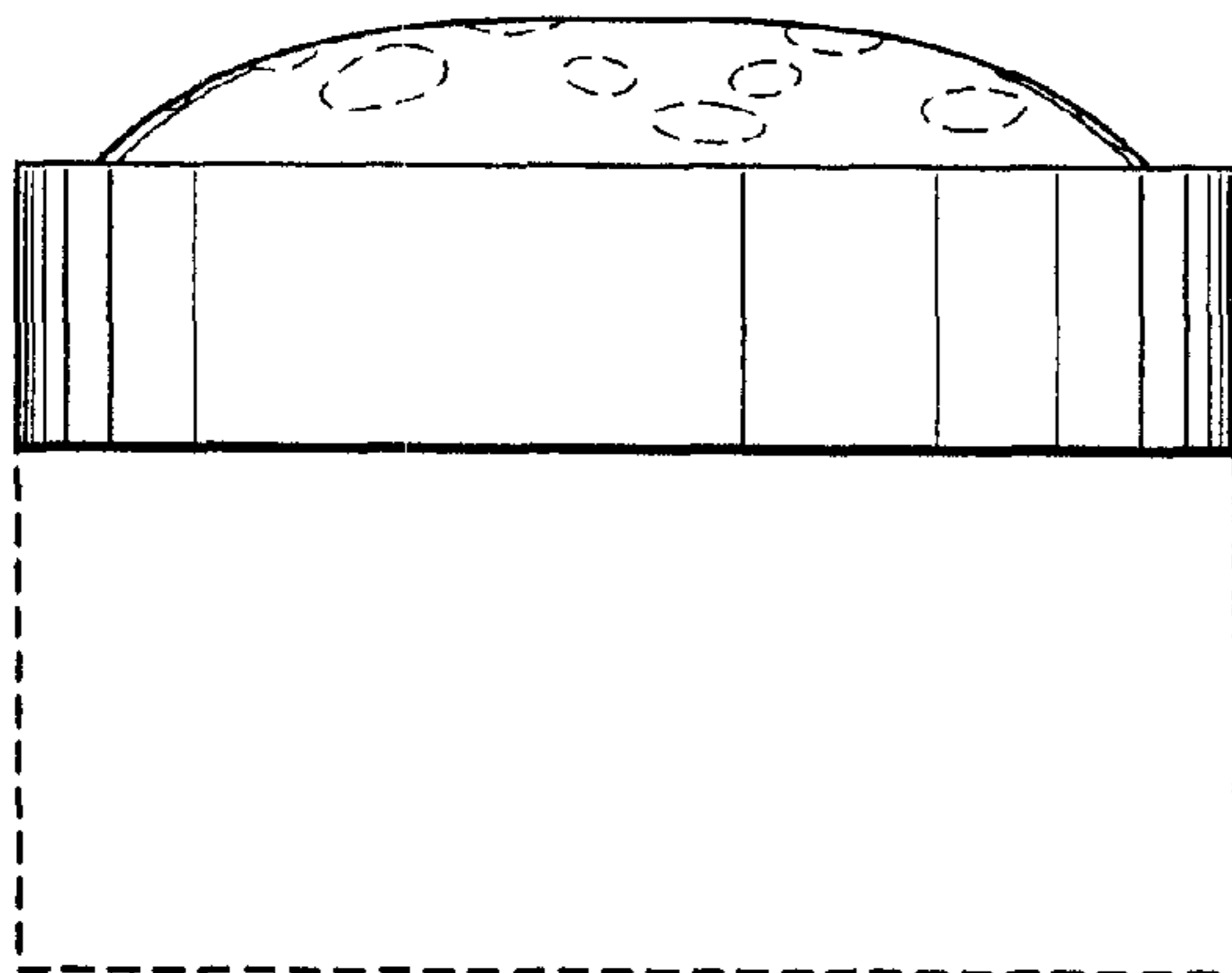


FIG. 12

