

US00D541154S

(12) **United States Design Patent**
Moribata et al.

(10) **Patent No.:** **US D541,154 S**

(45) **Date of Patent:** **** Apr. 24, 2007**

(54) **CAP**

(75) Inventors: **Yoshihisa Moribata**, Kobe (JP); **Seiichi Ido**, Nishinomiya (JP); **Tsutomu Kobayashi**, Ibaraki (JP)

(73) Assignee: **The Procter & Gamble Company**, Cincinnati, OH (US)

(**) **Term:** **14 Years**

(21) **Appl. No.:** **29/258,925**

(22) **Filed:** **Apr. 28, 2006**

(30) **Foreign Application Priority Data**

Oct. 31, 2005 (JP) 2005-31829

(51) **LOC (8) Cl.** **09-07**

(52) **U.S. Cl.** **D9/449; D9/454**

(58) **Field of Classification Search** D9/695, D9/455, 453, 449, 447, 446, 442, 435, 434, D9/420; D7/900, 511, 510; 220/837, 833, 220/283, 281, 254.7, 254.3

See application file for complete search history.

(56) **References Cited**

U.S. PATENT DOCUMENTS

571,708 A * 11/1896 Thompson 137/845
3,480,182 A * 11/1969 Rigor 221/288

D292,777 S * 11/1987 Shillington et al. D9/446
5,358,103 A * 10/1994 Hodakowski et al. 206/205
D356,026 S * 3/1995 Iaia et al. D9/697
D392,879 S * 3/1998 Couey D9/697
5,823,387 A * 10/1998 Manadanas et al. 222/1
D455,077 S * 4/2002 Gaiser et al. D9/449
6,627,862 B1 * 9/2003 Pedersen 219/730
D492,597 S * 7/2004 Norris et al. D9/447
D509,432 S * 9/2005 Hierzer et al. D9/447

* cited by examiner

Primary Examiner—Robert M. Spear
Assistant Examiner—Susan Bennett Hattan

(74) *Attorney, Agent, or Firm*—Vladimir Vitenberg; Tara M. Rosnell; Brian M. Bolam

(57) **CLAIM**

The ornamental design for a cap, as shown and described.

DESCRIPTION

FIG. 1 is a perspective view of a cap embodying our new design;

FIG. 2 is a front view thereof;

FIG. 3 is a back side view thereof;

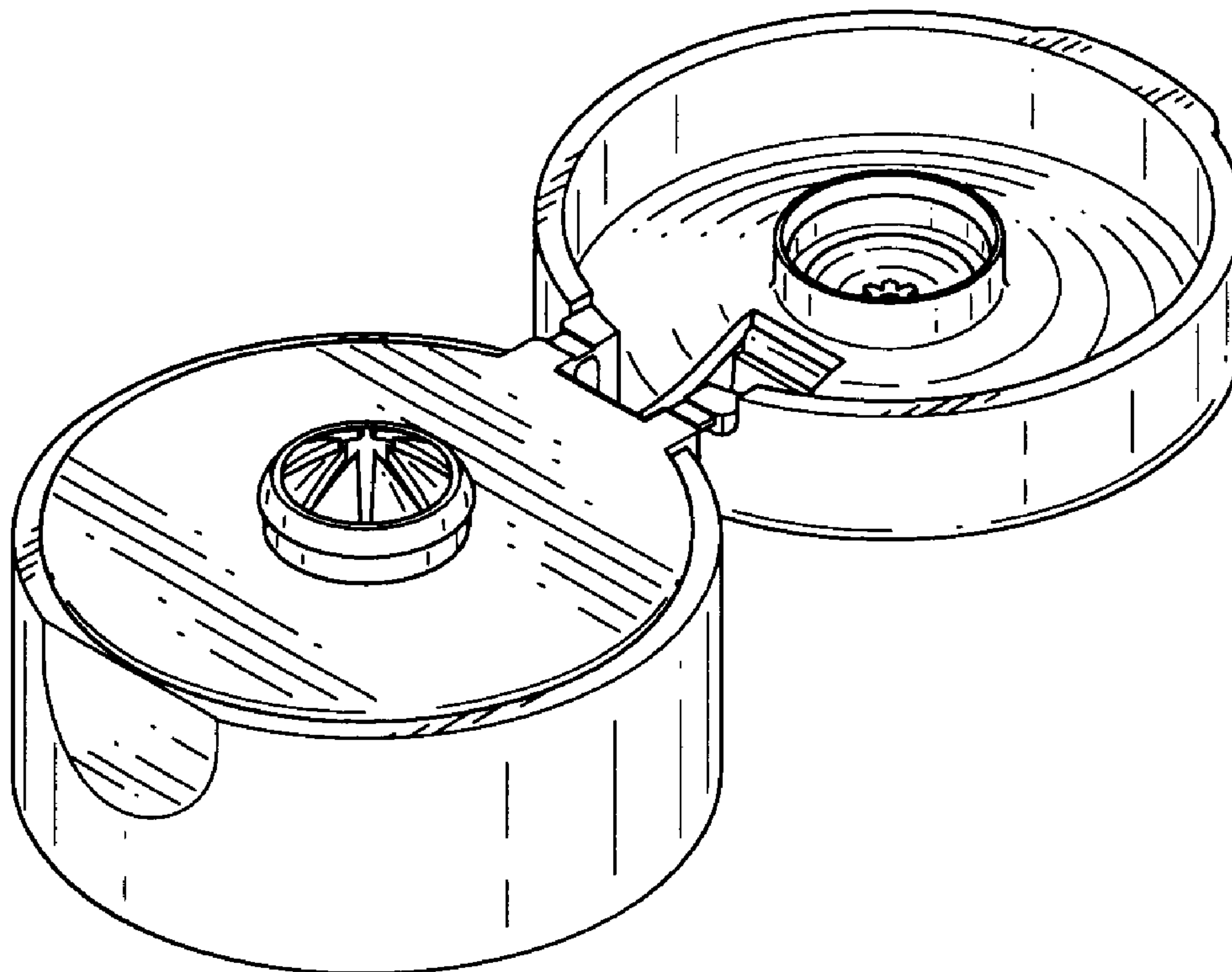
FIG. 4 is a top plan view thereof;

FIG. 5 is a right side view thereof;

FIG. 6 is a left side view thereof; and,

FIG. 7 is a perspective view thereof in closed position.

1 Claim, 5 Drawing Sheets



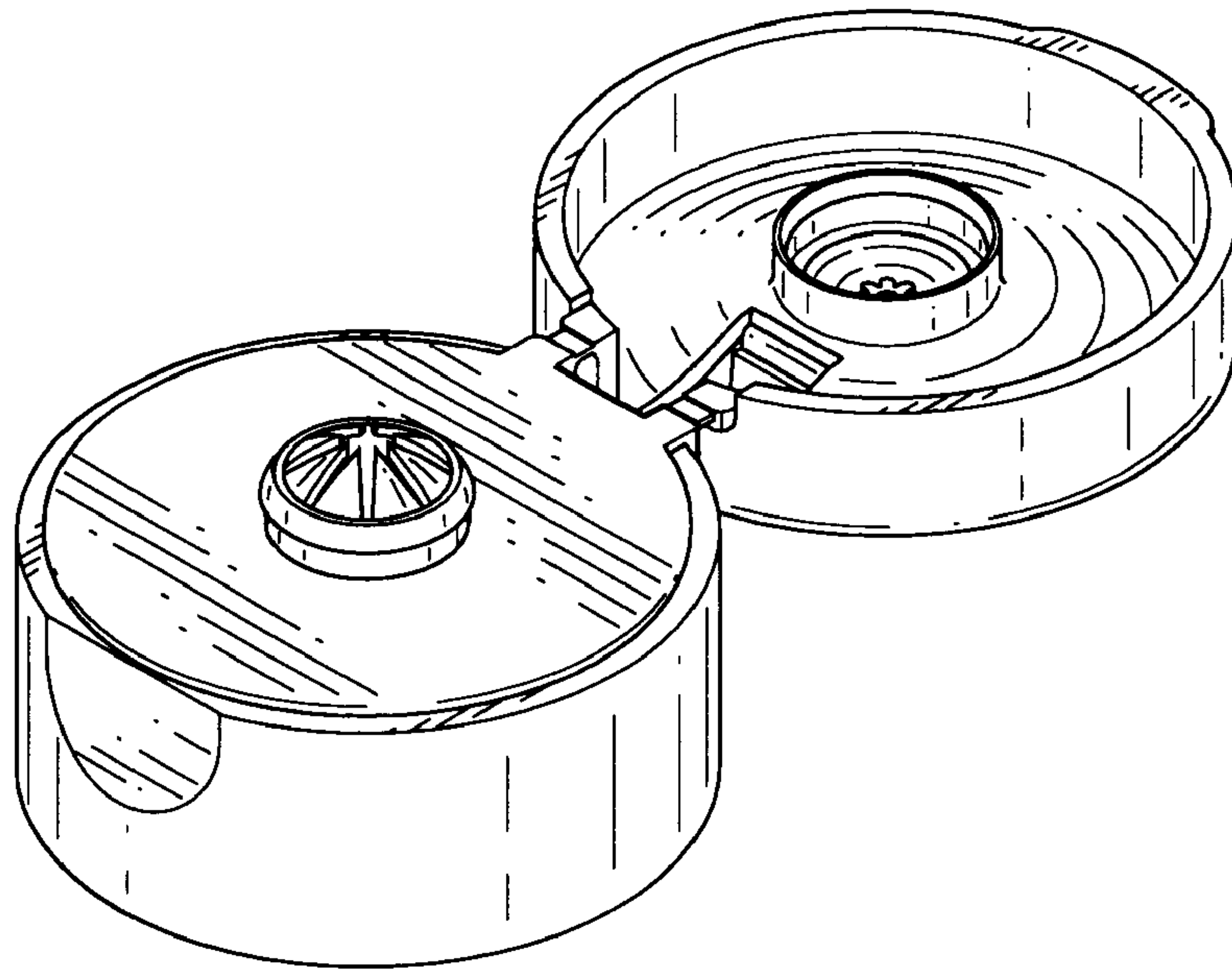


Fig. 1

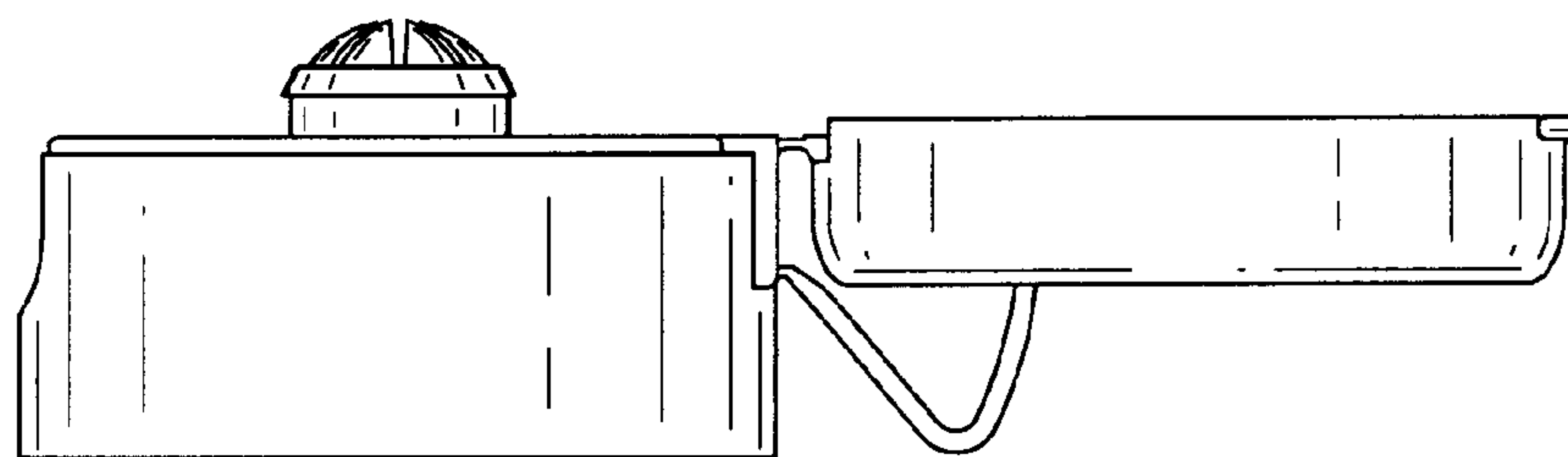


Fig. 2

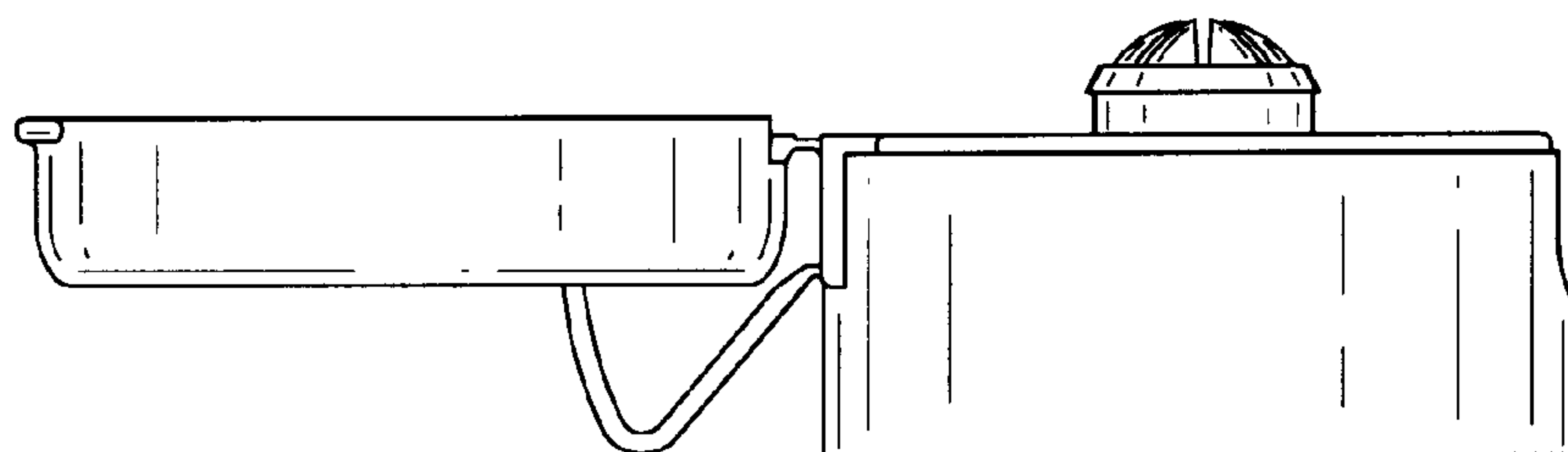


Fig. 3

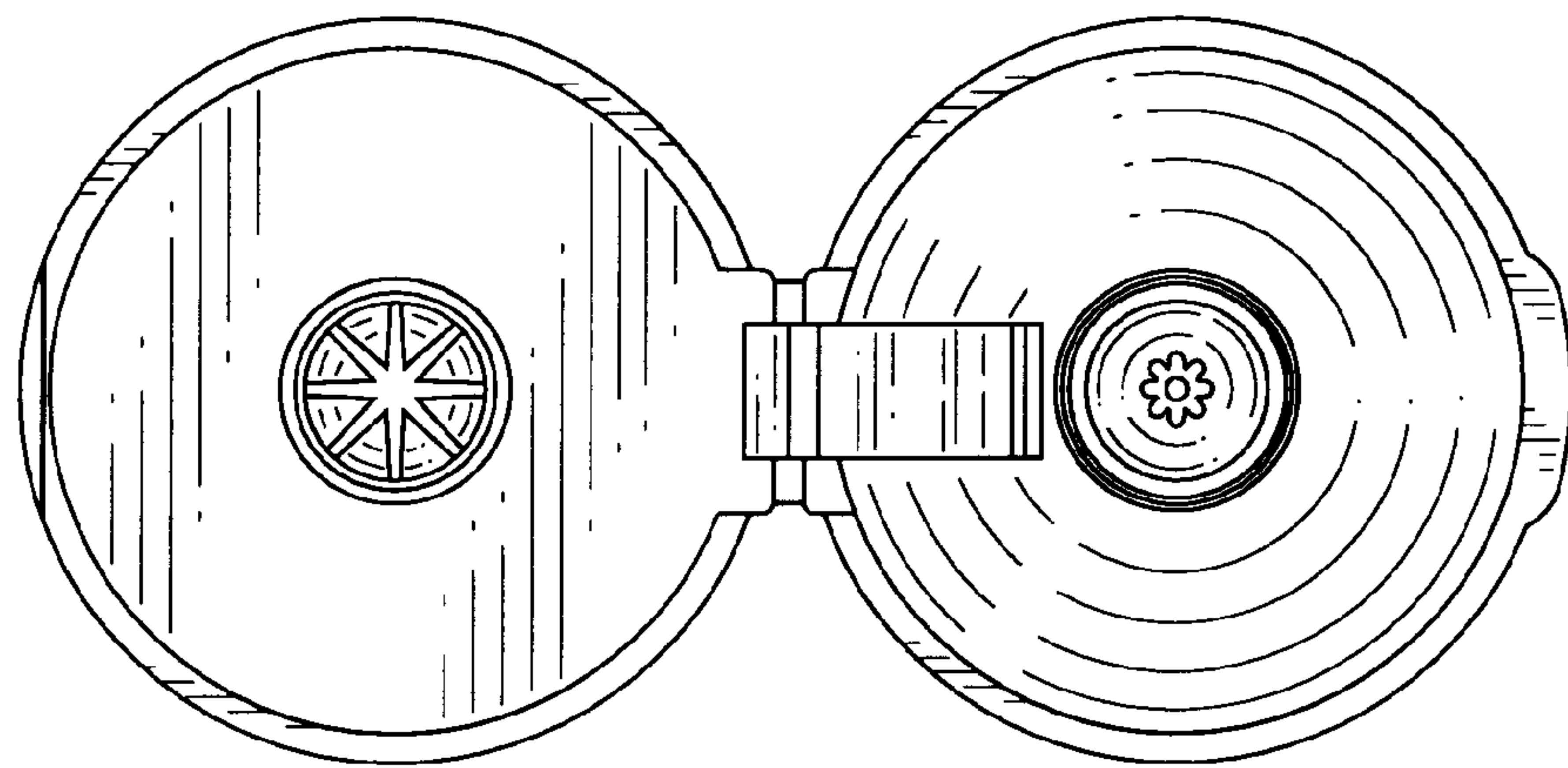


Fig. 4

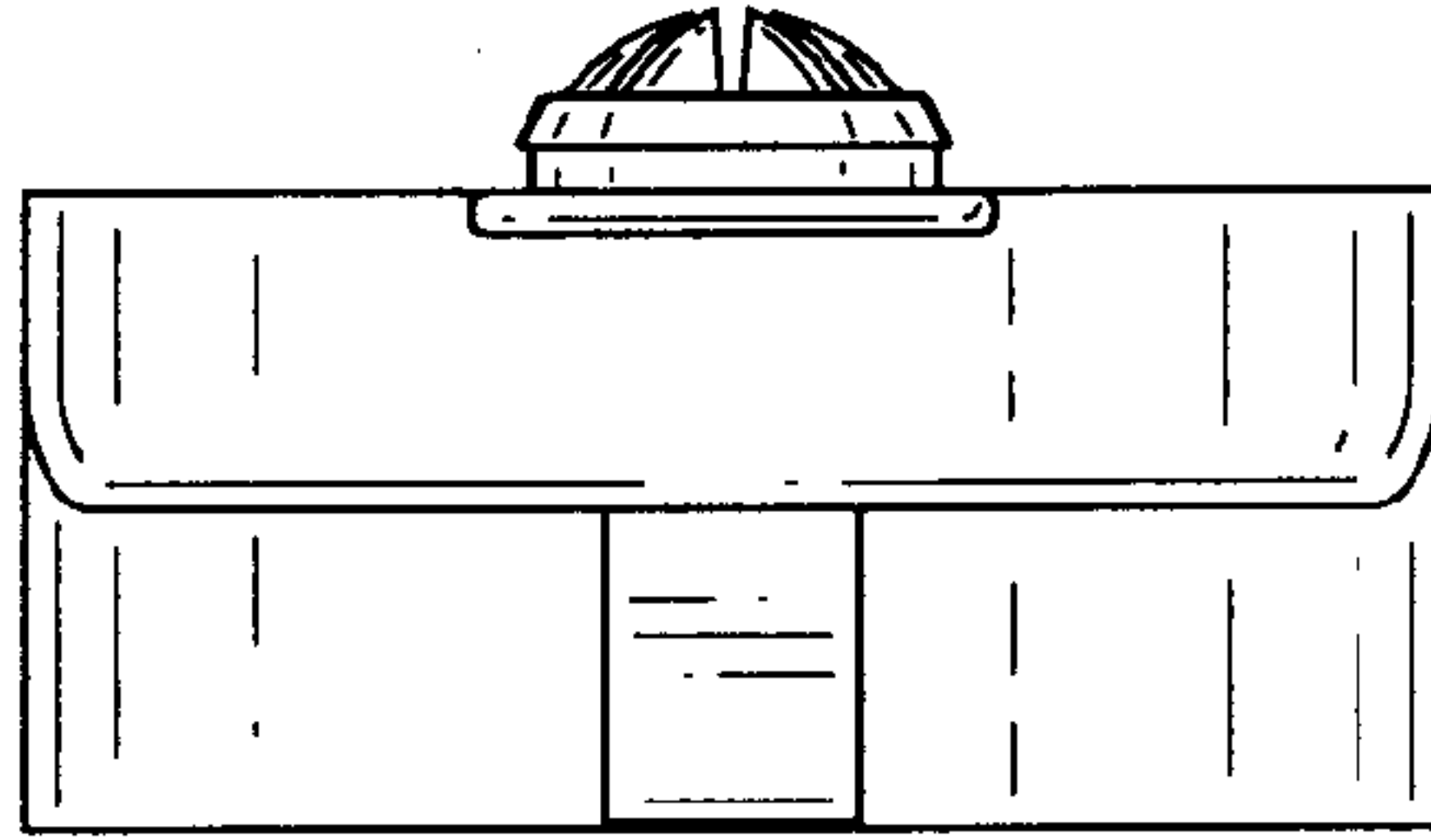


Fig. 5

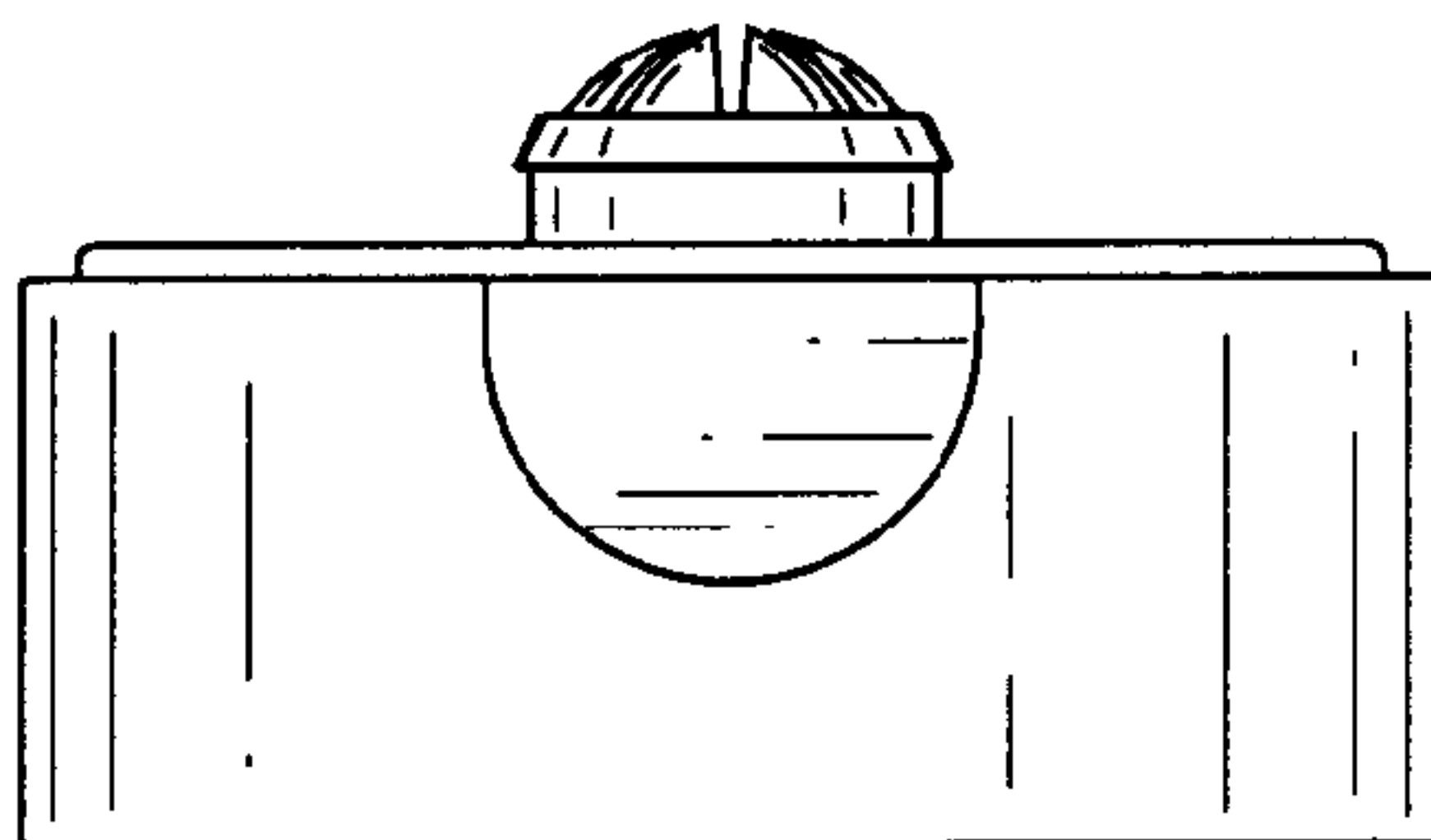


Fig. 6

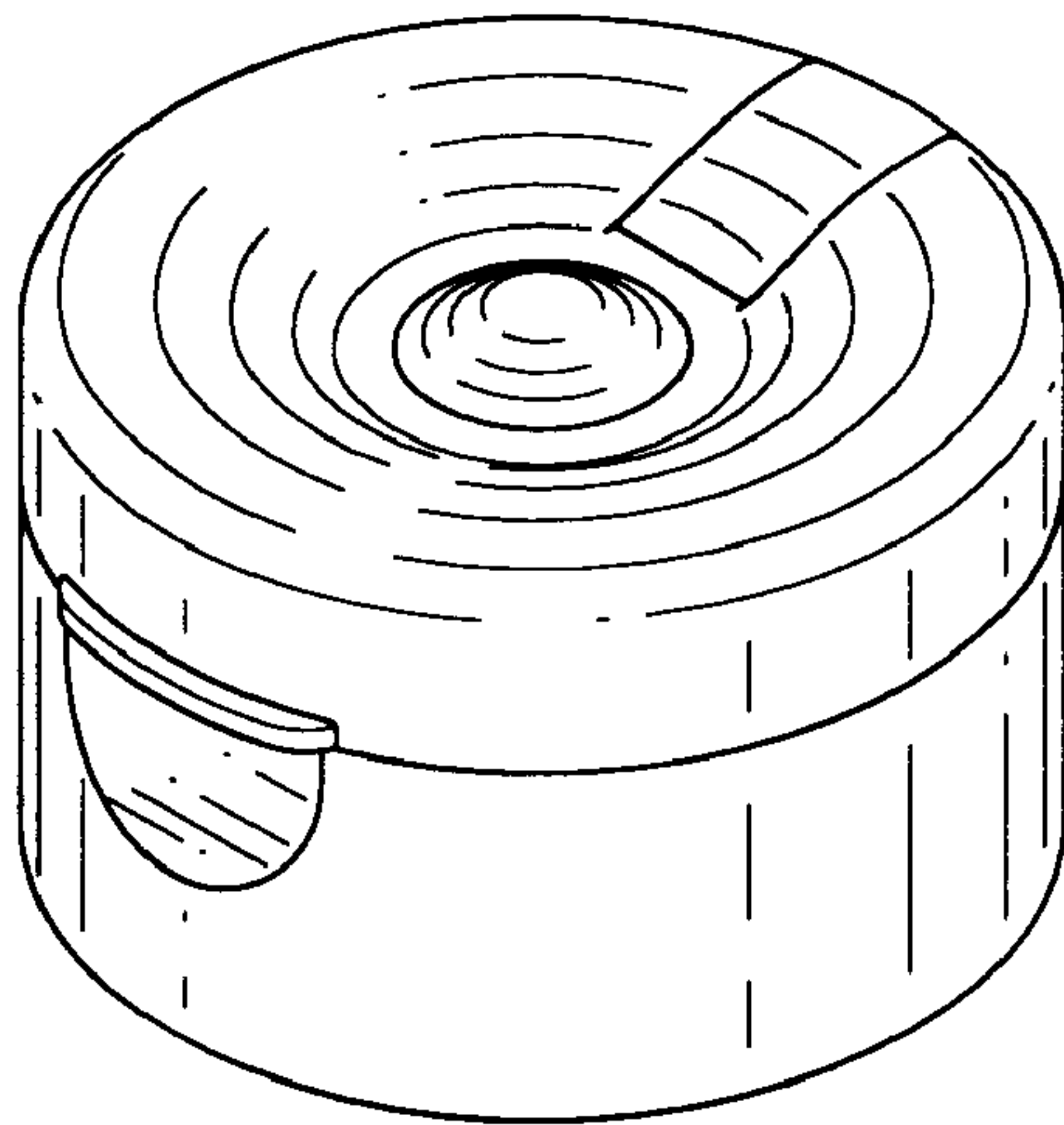


Fig. 7