

US00D541153S

(12) **United States Design Patent** (10) **Patent No.:** **US D541,153 S**
Hollis et al. (45) **Date of Patent:** **** Apr. 24, 2007**

(54) **DISPOSABLE CUP LID** 4,113,135 A 9/1978 Yamazaki
 4,138,033 A 2/1979 Payne et al.
 (75) Inventors: **Robert W. Hollis**, Homer Glen, IL 4,164,303 A 8/1979 Waterburg
 (US); **Weston S. Koennecke**, Oak Park, 4,184,604 A 1/1980 Amberg et al.
 IL (US); **John R. Geer, III**, Downers 4,186,842 A 2/1980 Albert
 Grove, IL (US) 4,187,954 A 2/1980 Striggow
 4,190,174 A 2/1980 Haimowitz
 (73) Assignee: **Prairie Packaging Inc.**, Bedford Park, 4,202,459 A 5/1980 DeParales et al.
 IL (US) 4,210,272 A 7/1980 Sequin
 4,243,156 A 1/1981 Lobbestael
 (**) Term: **14 Years** D259,403 S 6/1981 Frazier, Jr.
 4,285,442 A 8/1981 Wedzik
 (21) Appl. No.: **29/248,896** 4,319,691 A 3/1982 Hament
 4,319,692 A 3/1982 Gundlach
 (22) Filed: **Sep. 8, 2006** 4,322,015 A 3/1982 Bailey
 4,345,695 A 8/1982 Galloway et al.
 D267,633 S 1/1983 Christian
 4,377,244 A 3/1983 Rossetti
 4,412,629 A 11/1983 Dart et al.
 D271,857 S 12/1983 Callahan
 4,421,244 A 12/1983 Van Melle
 4,438,865 A 3/1984 Scattaregia
 4,441,624 A 4/1984 Sokolowski
 D274,502 S 7/1984 Little
 4,460,103 A 7/1984 Rama et al.
 RE31,650 E 8/1984 Serritella
 D274,983 S 8/1984 Dart et al.
 4,473,167 A 9/1984 Bailey
 4,489,848 A 12/1984 Braude
 4,502,608 A 3/1985 Mills
 4,518,096 A 5/1985 Winstead
 4,566,605 A 1/1986 Rogers
 4,582,214 A 4/1986 Dart et al.
 4,589,569 A 5/1986 Clements
 D285,416 S 9/1986 Dart et al.
 4,615,459 A 10/1986 Clements
 4,627,537 A 12/1986 Rogers
 4,629,088 A 12/1986 Durgin
 D287,919 S 1/1987 Clements
 4,738,373 A 4/1988 DeParales
 4,741,450 A 5/1988 Braude
 4,753,365 A 6/1988 Seppala
 4,756,440 A 7/1988 Gartner
 4,760,934 A 8/1988 Netsch
 4,934,558 A 6/1990 Vargas
 4,938,379 A 7/1990 Kellner
 4,949,865 A 8/1990 Turner
 4,953,743 A 9/1990 Dart et al.
 5,050,759 A 9/1991 Marble

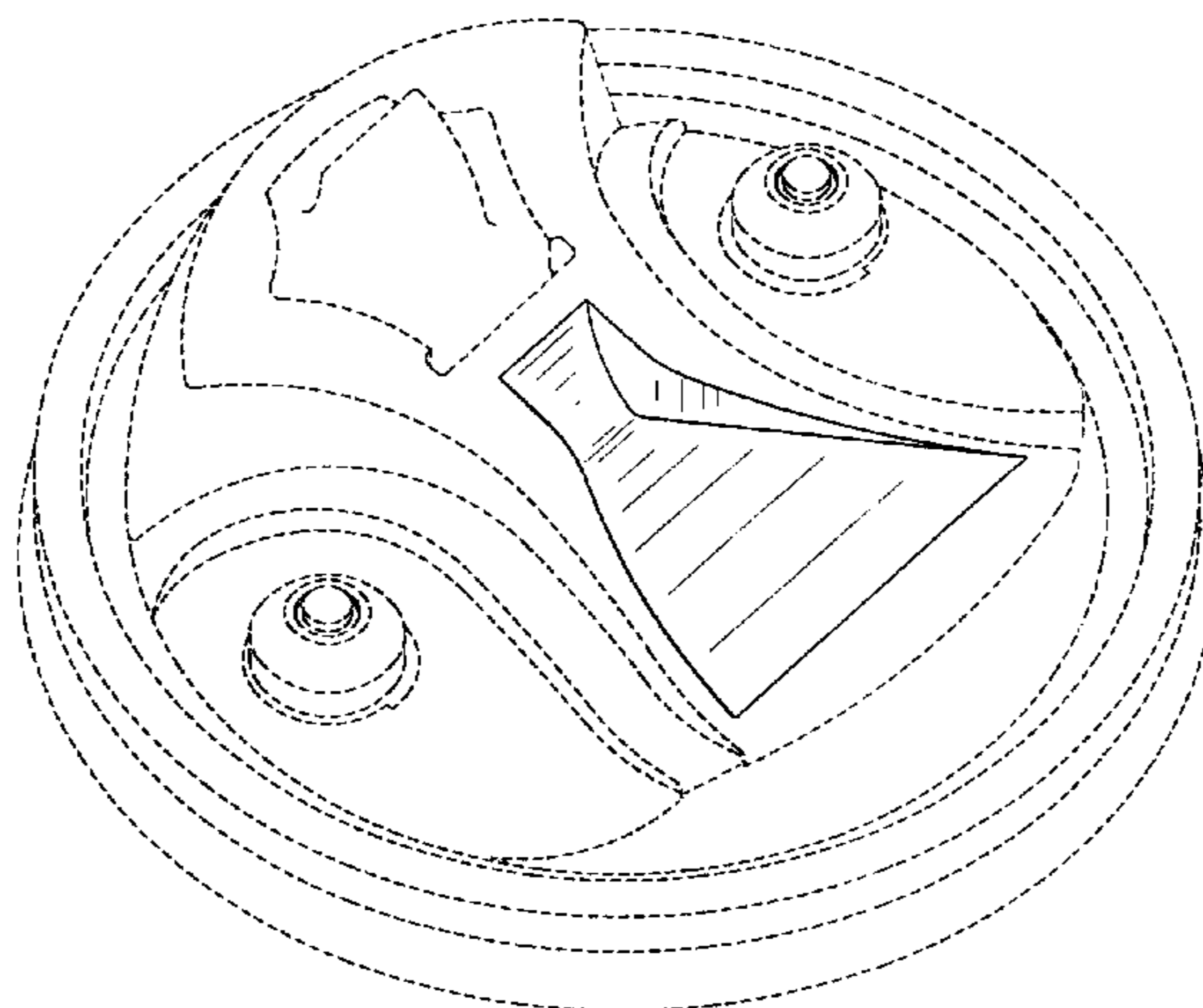
Related U.S. Application Data

(62) Division of application No. 29/230,074, filed on May 16, 2005, now Pat. No. Des. 533,778.
 (51) **LOC (8) Cl.** **09-07**
 (52) **U.S. Cl.** **D9/447; D9/435**
 (58) **Field of Classification Search** D9/454,
 D9/450, 449, 447, 445, 441, 438, 435, 434;
 D7/629, 511, 510, 396.2, 392.1, 317, 391,
 D7/392; D3/203.2, 202; 222/555, 451.2;
 220/713, 712, 270, 253, 454.1-9
 See application file for complete search history.

(56) **References Cited**

U.S. PATENT DOCUMENTS

2,184,215 A 12/1939 Geyer
 2,913,140 A * 11/1959 Vuilleminot 220/210
 3,302,858 A 2/1967 Miller
 3,596,792 A 8/1971 Wilcox
 3,777,968 A 12/1973 Law
 3,860,162 A 1/1975 Schutz
 3,952,910 A 4/1976 Wheeler
 RE28,797 E 5/1976 Brewer
 3,977,559 A 8/1976 Lombardi
 3,977,562 A 8/1976 Wedzik
 3,994,411 A 11/1976 Elfelt et al.
 4,056,210 A 11/1977 Boyle
 4,090,660 A 5/1978 Schram et al.
 4,106,660 A 8/1978 Boyle



D323,116 S	1/1992	Dart et al.		D489,260 S	5/2004	Smith et al.	
5,090,584 A	2/1992	Roberts et al.		6,732,875 B2	5/2004	Smith et al.	
5,111,961 A	5/1992	Van Melle		D493,718 S	8/2004	Durdon	
5,165,579 A	* 11/1992	Lund	222/192	6,811,049 B2	11/2004	Lukacevic	
5,183,172 A	2/1993	Boller		6,824,003 B1	11/2004	Wong	
5,197,624 A	3/1993	Dodaro		6,874,649 B2	4/2005	Clarke et al.	
5,253,781 A	10/1993	Van Melle et al.		6,886,707 B2	5/2005	Giraud	
5,335,812 A	8/1994	Boller		6,889,859 B1	5/2005	Leon	
5,348,181 A	9/1994	Smith et al.		6,889,860 B2	5/2005	Mazzarolo	
D353,769 S	12/1994	Miller		D522,860 S	* 6/2006	LaFortune	D9/449
D354,438 S	1/1995	Miller		2002/0027139 A1	3/2002	O'Neill	
5,392,949 A	2/1995	McKenna		2002/0038803 A1	4/2002	Malcolm	
5,398,843 A	3/1995	Warden et al.		2003/0024929 A1	2/2003	Smith et al.	
D360,133 S	7/1995	Boller		2003/0024930 A1	2/2003	Smith et al.	
5,490,609 A	2/1996	Lane et al.		2003/0052127 A1	3/2003	Mazzarolo	
5,503,289 A	4/1996	Fox		2003/0089714 A1	5/2003	Dart et al.	
5,509,568 A	4/1996	Warden et al.		2003/0089726 A1	5/2003	Mazzarolo	
D372,866 S	8/1996	Ahern, Jr.		2003/0102312 A1	6/2003	Horner	
D374,590 S	* 10/1996	Ahern, Jr.	D7/392.1	2003/0116568 A1	6/2003	Clarke et al.	
D374,794 S	* 10/1996	Ahern, Jr.	D7/392.1	2003/0178426 A1	9/2003	Freek et al.	
5,613,619 A	3/1997	Van Melle		2003/0192890 A1	10/2003	Mazzarolo	
5,624,053 A	4/1997	Freek et al.		2003/0197012 A1	10/2003	Smith et al.	
5,699,927 A	12/1997	Lane et al.		2003/0218017 A1	11/2003	Schmidtner et al.	
5,706,972 A	* 1/1998	Sousa	220/714	2004/0035868 A1	2/2004	Smith et al.	
D390,465 S	2/1998	Frye		2004/0089662 A1	5/2004	Smith et al.	
5,722,558 A	3/1998	Thompson		2004/0118847 A1	6/2004	Giraud	
D394,184 S	5/1998	Demore		2004/0195239 A1	10/2004	Rush et al.	
5,798,079 A	8/1998	Freek et al.		2005/0092748 A1	5/2005	Durdon	
5,820,016 A	10/1998	Stropkay		2005/0092749 A1	5/2005	Durdon	
5,839,601 A	11/1998	Van Melle		2006/0226147 A1	* 10/2006	Phillips	220/254.2
D402,556 S	12/1998	Frye		2006/0226148 A1	* 10/2006	Hundley et al.	220/254.3
D405,011 S	2/1999	DeCoster et al.					
5,894,950 A	4/1999	Kick					
5,894,952 A	4/1999	Mendenhall et al.					
5,911,331 A	6/1999	Boller					
5,947,323 A	9/1999	Freek et al.					
D416,170 S	11/1999	Stucke, Jr. et al.					
5,979,647 A	11/1999	Han					
5,996,837 A	12/1999	Freek et al.					
D418,363 S	1/2000	Barnes et al.					
6,076,450 A	6/2000	DiGiorgio, Jr.					
6,079,588 A	6/2000	Khafizov					
6,089,397 A	7/2000	Van Melle					
6,176,390 B1	1/2001	Kemp					
6,209,748 B1	4/2001	Dunbar					
6,220,470 B1	4/2001	McHenry et al.					
6,260,727 B1	7/2001	Durdon					
D447,412 S	9/2001	Durdon					
6,398,083 B2	6/2002	Nybakke					
D461,361 S	8/2002	Orr et al.					
6,505,753 B1	1/2003	Freek et al.					
D470,009 S	2/2003	Turchi et al.					
6,533,139 B2	3/2003	Lukacevic					
6,571,973 B1	6/2003	Tripsianes					
D476,566 S	7/2003	Smith et al.					
D476,567 S	7/2003	Weiss et al.					
D476,891 S	7/2003	Clarke et al.					
D477,223 S	7/2003	Smith et al.					
D478,006 S	8/2003	Smith et al.					
D479,802 S	* 9/2003	Arduini	D9/505				
6,612,456 B1	9/2003	Hundley et al.					
D480,968 S	10/2003	Atkins et al.					
D481,633 S	11/2003	Schmidtner et al.					
6,644,490 B2	11/2003	Clarke					
D485,758 S	1/2004	Clarke et al.					
D485,759 S	1/2004	Janky et al.					
6,679,397 B2	1/2004	Smith et al.					
D487,399 S	3/2004	Schmidtner et al.					
6,702,145 B2	3/2004	Malcolm					

* cited by examiner

Primary Examiner—Robert M. Spear
Assistant Examiner—Susan Bennett Hattan
(74) Attorney, Agent, or Firm—Bell Boyd & Lloyd LLC

(57) **CLAIM**

The ornamental design for a disposable cup lid, as shown and described.

DESCRIPTION

This application relates to the following co-pending commonly owned patent applications: “Disposable Cup Lid,” Ser. No. 29/248,892; “Disposable Cup Lid,” Ser. No. 29/248,889; “Disposable Cup Lid,” Ser. No. 29/248,885; “Disposable Cup Lid,” Ser. No. 29/248,882; “Disposable Cup Lid,” Ser. No. 29/248,886; “Disposable Cup Lid,” Ser. No. 29/248,883; “Disposable Cup Lid,” Ser. No. 29/248,888; “Disposable Cup Lid,” Ser. No. 29/248,891; and “Disposable Cup Lid,” Ser. No. 29/248,898.

FIG. 1 is a rear perspective view of a disposable cup lid of our new design, that portion of the cup lid shown in phantom is not part of the claimed design and is provided for environmental purposes only.

FIG. 2 is a top plan view of the disposable cup lid of our new design illustrated in FIG. 1, that portion of the cup lid shown in phantom is not part of the claimed design and is provided for environmental purposes only.; and,

FIG. 3 is a bottom plan view of the disposable cup lid of our new design illustrated in FIG. 1, that portion of the cup lid shown in phantom is not part of the claimed design and is provided for environmental purposes only.

1 Claim, 2 Drawing Sheets

FIG.1

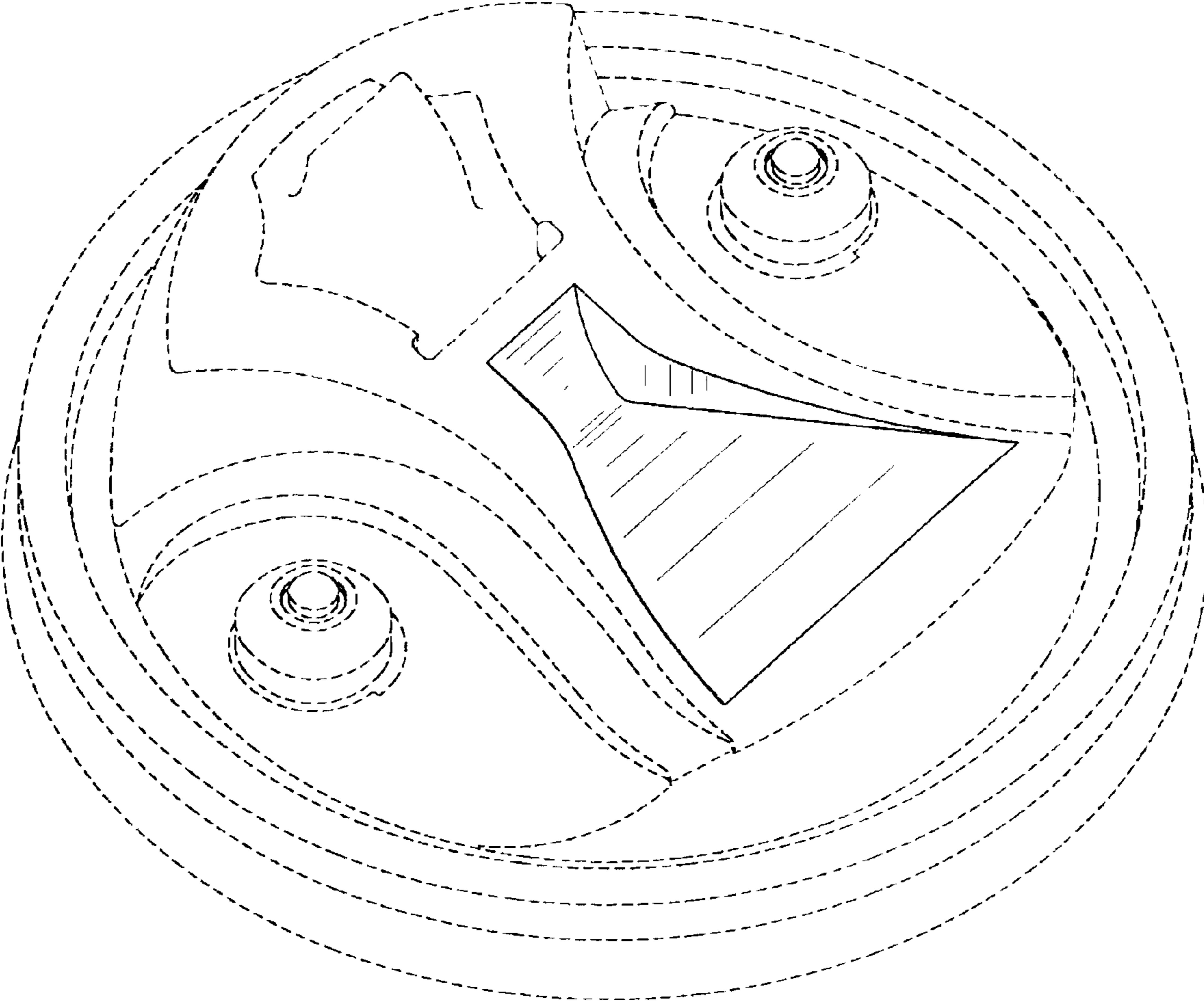


FIG. 2

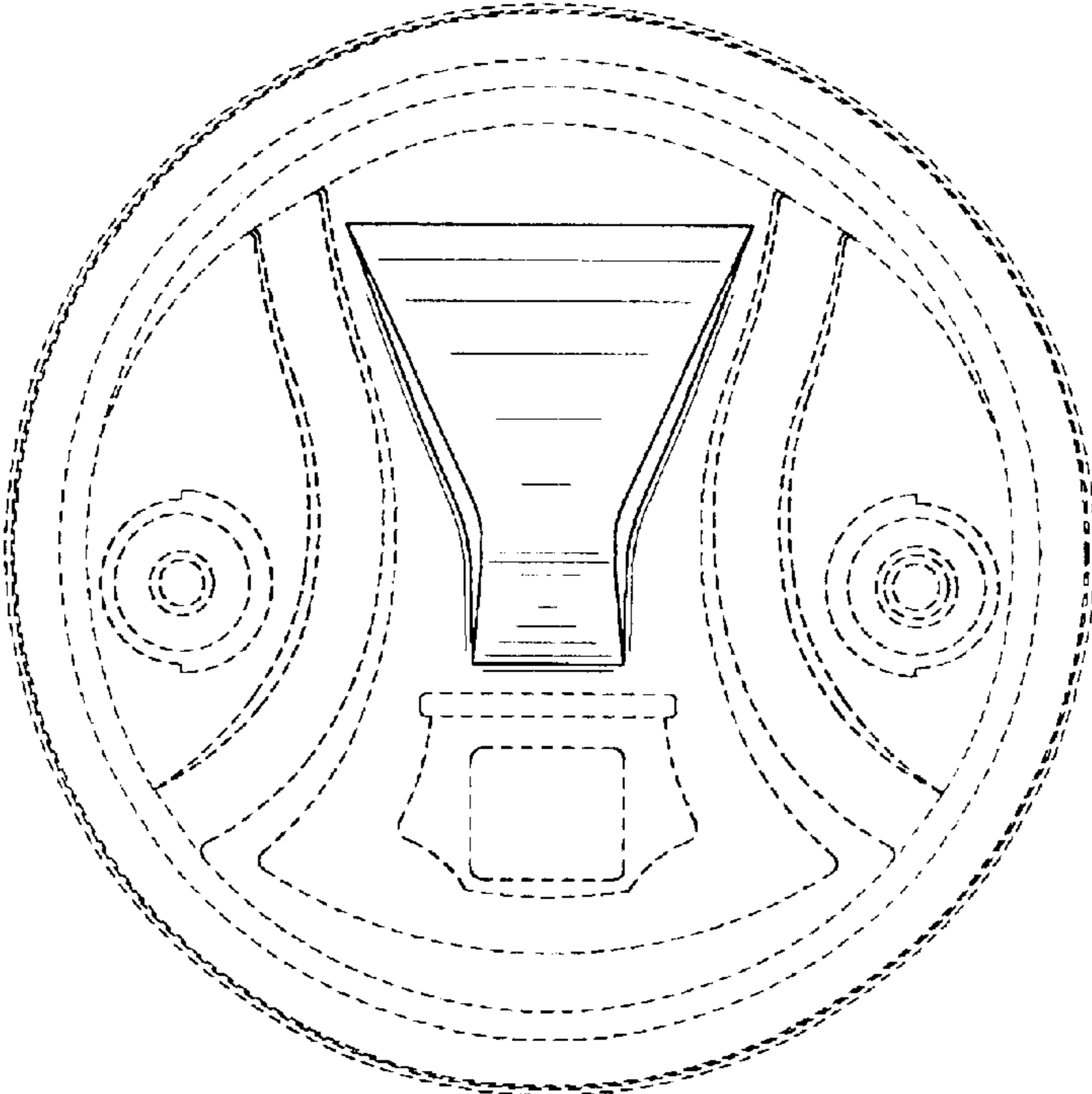


FIG. 3

