

US00D541152S

(12) **United States Design Patent**
Samz et al.

(10) **Patent No.:** **US D541,152 S**
(45) **Date of Patent:** **** Apr. 24, 2007**

(54) **INTEGRALLY-FORMED CLOSURE FOR A CONTAINER**

(75) Inventors: **John B. Samz**, Union Grove, WI (US);
William C. Vogel, Mequon, WI (US)

(73) Assignee: **Gateway Plastics, Inc.**, Mequon, WI (US)

(**) Term: **14 Years**

(21) Appl. No.: **29/243,179**

(22) Filed: **Nov. 21, 2005**

Related U.S. Application Data

(62) Division of application No. 29/170,146, filed on Nov. 1, 2002, which is a division of application No. 10/234,441, filed on Sep. 3, 2002, now abandoned, which is a division of application No. 09/663,874, filed on Sep. 15, 2000, now Pat. No. 6,460,718, which is a continuation-in-part of application No. 09/374,976, filed on Aug. 16, 1999, now Pat. No. 6,250,517, which is a continuation of application No. 08/959,399, filed on Oct. 28, 1997, now Pat. No. 5,971,231.

(51) **LOC (8) Cl.** **09-07**

(52) **U.S. Cl.** **D9/447; D9/435; D9/449**

(58) **Field of Classification Search** D9/435,
D9/438, 447, 449, 454; D7/300.1, 591, 596,
D7/629, 630; 215/235, 237; 220/259, 339;
222/546, 480, 565, 566, 517

See application file for complete search history.

(56) **References Cited**

U.S. PATENT DOCUMENTS

D509,426 S 9/2005 Samz et al.

Primary Examiner—Louis S. Zarfes

Assistant Examiner—Gregory Andoll

(74) *Attorney, Agent, or Firm*—Foley & Lardner LLP

(57) **CLAIM**

We claim the ornamental design for an integrally-formed closure for a container, as shown and described.

DESCRIPTION

FIG. 1 is a perspective view of the integrally-formed closure for a container in an open position.

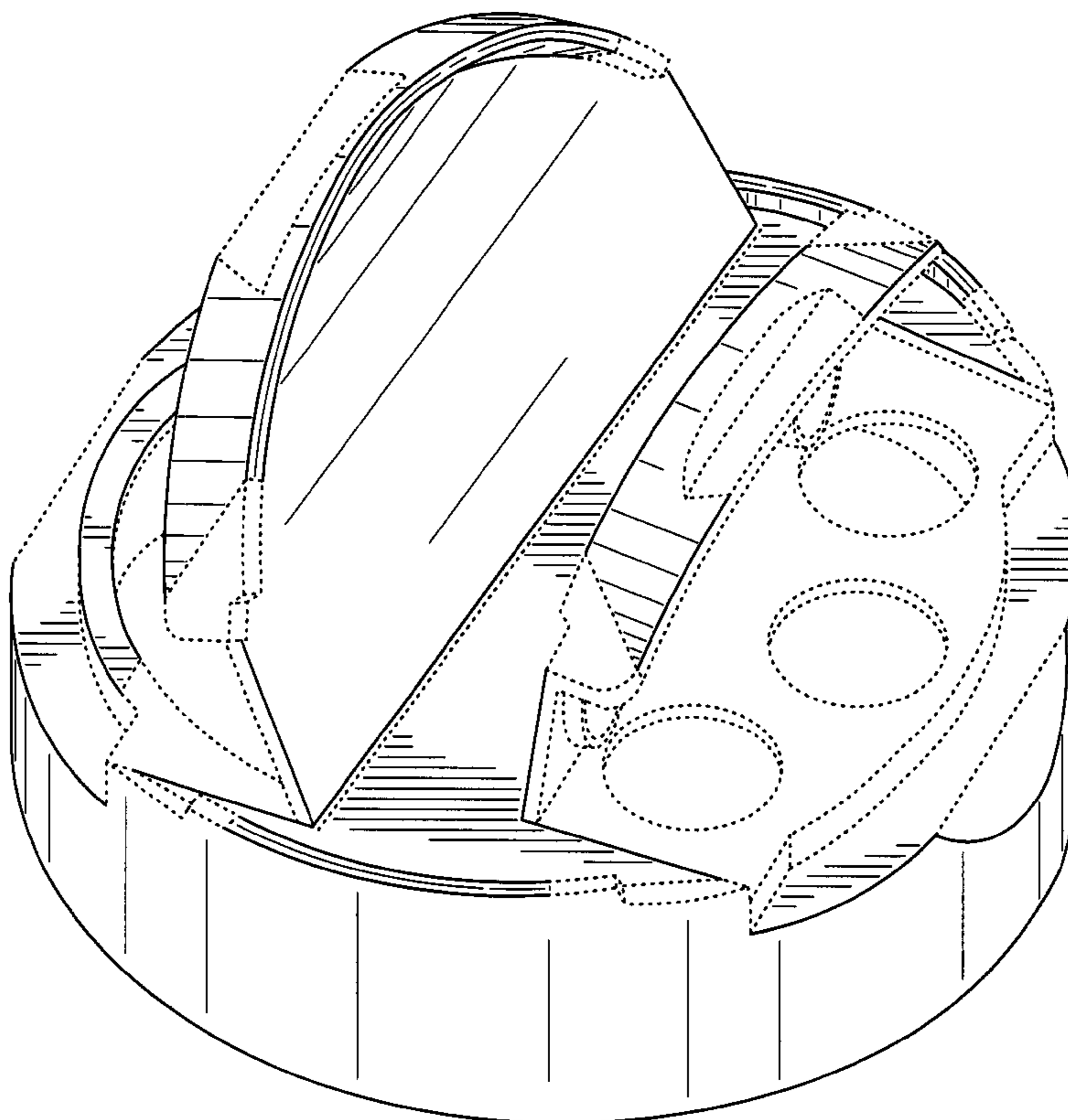
FIG. 2 is a top view of the integrally-formed closure for a container in an open position.

FIG. 3 is a side elevation view of the integrally-formed closure for a container in an open position; and,

FIG. 4 is a side elevation view of the integrally-formed closure for a container in a closed position.

The ornamental design which is claimed is shown in solid lines in the drawings. The broken lines in the drawings are for illustrative purposes only and form no part of the claimed design.

1 Claim, 3 Drawing Sheets



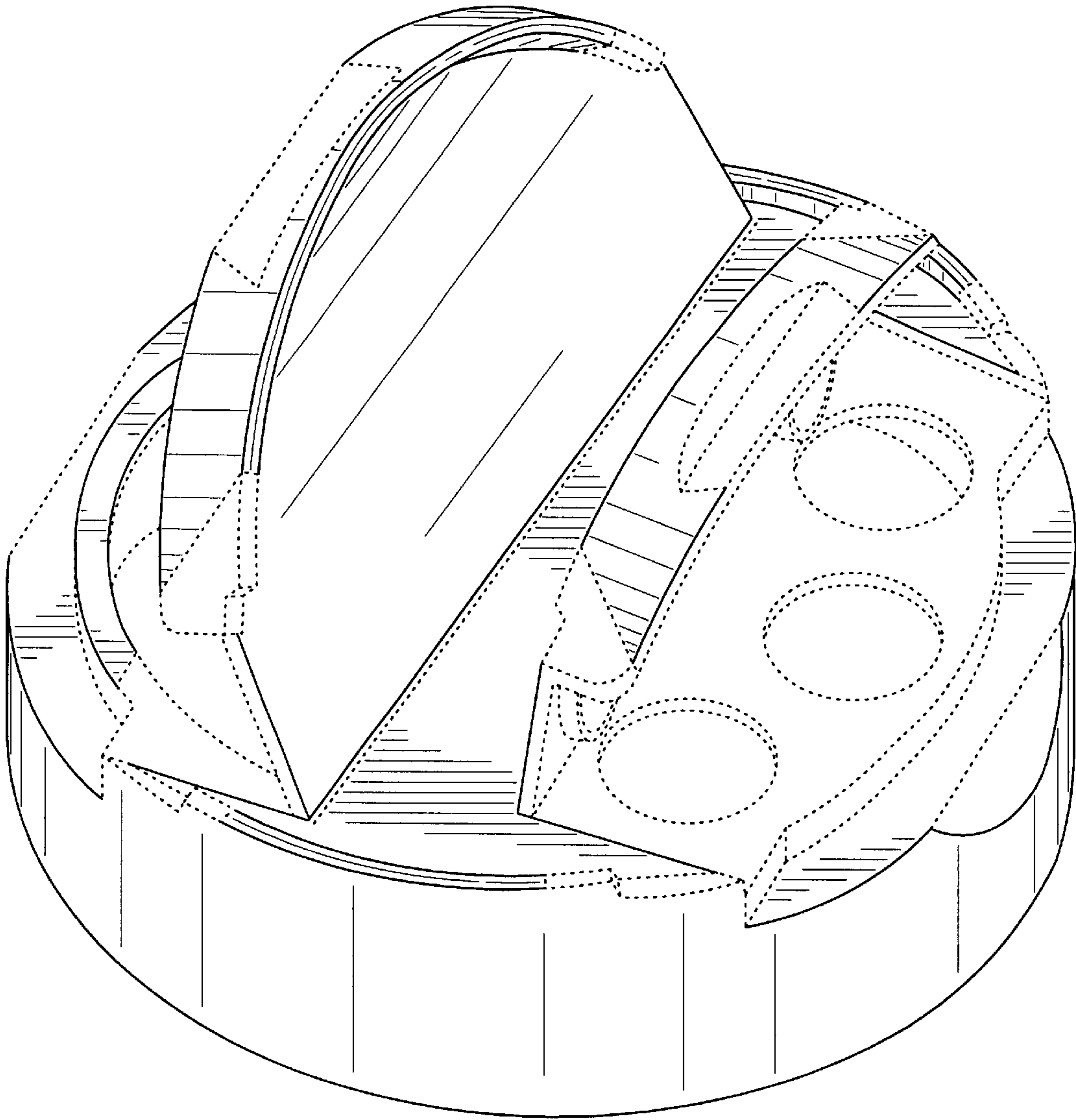


FIG. 1

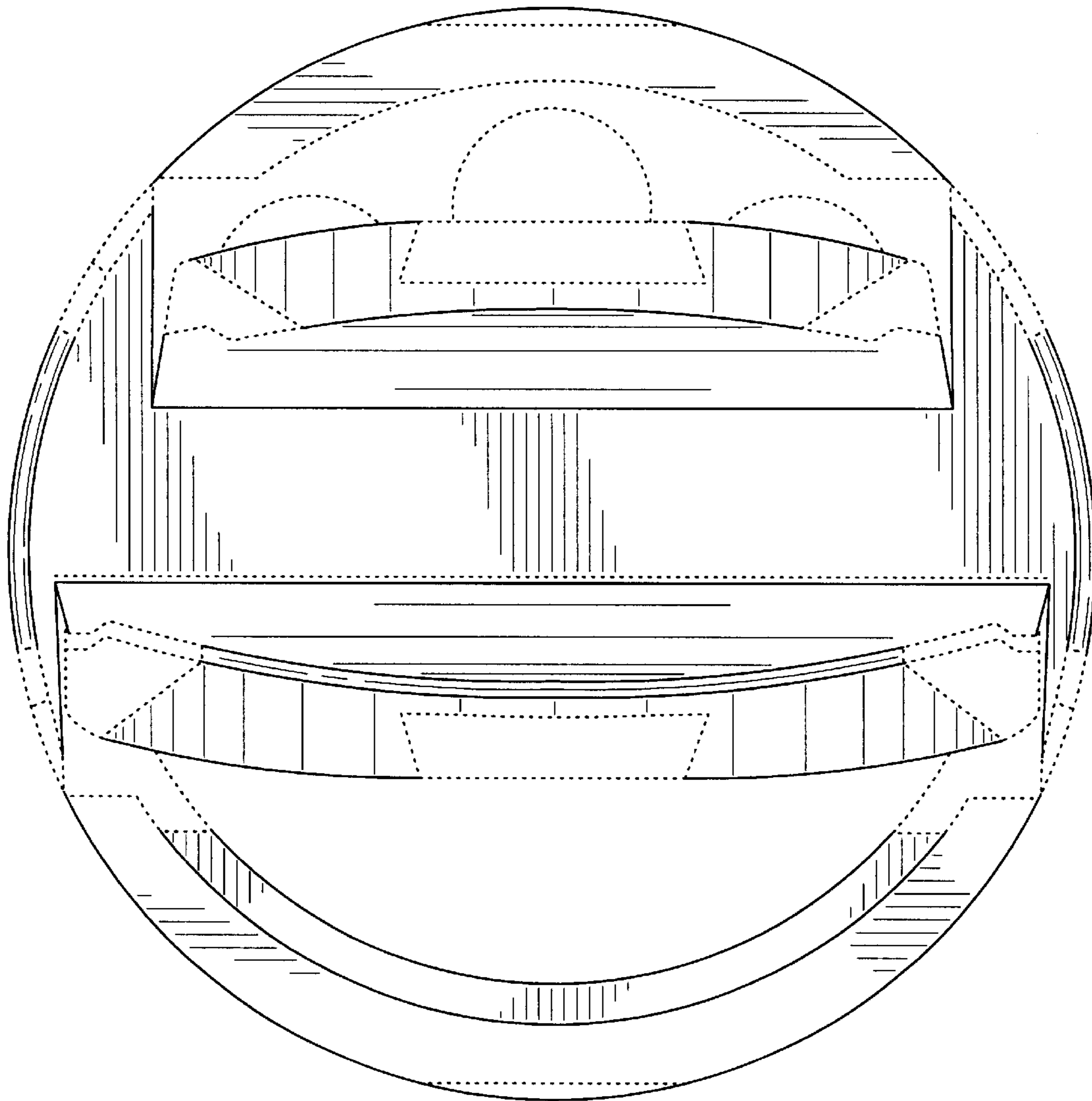


FIG. 2

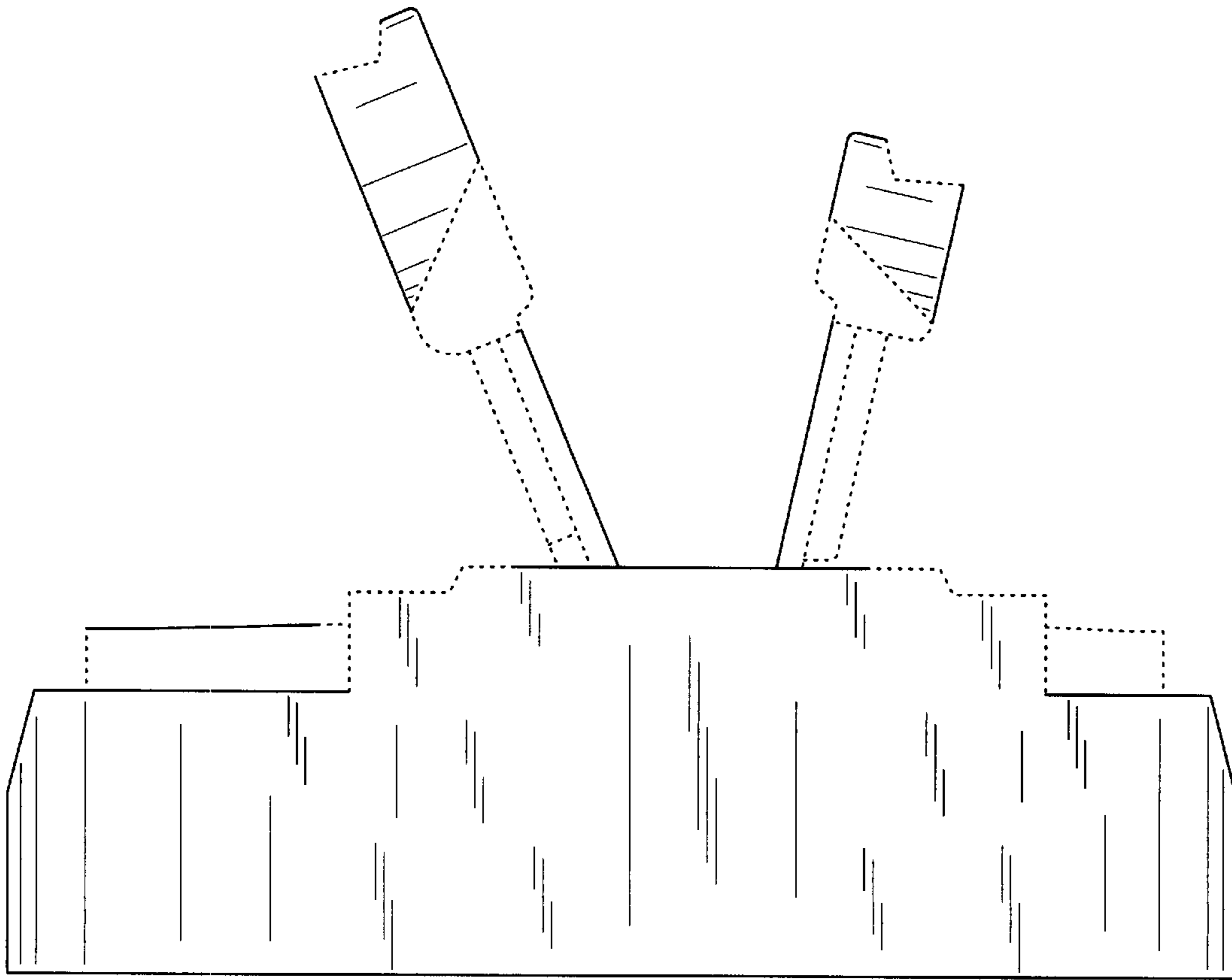


FIG. 3

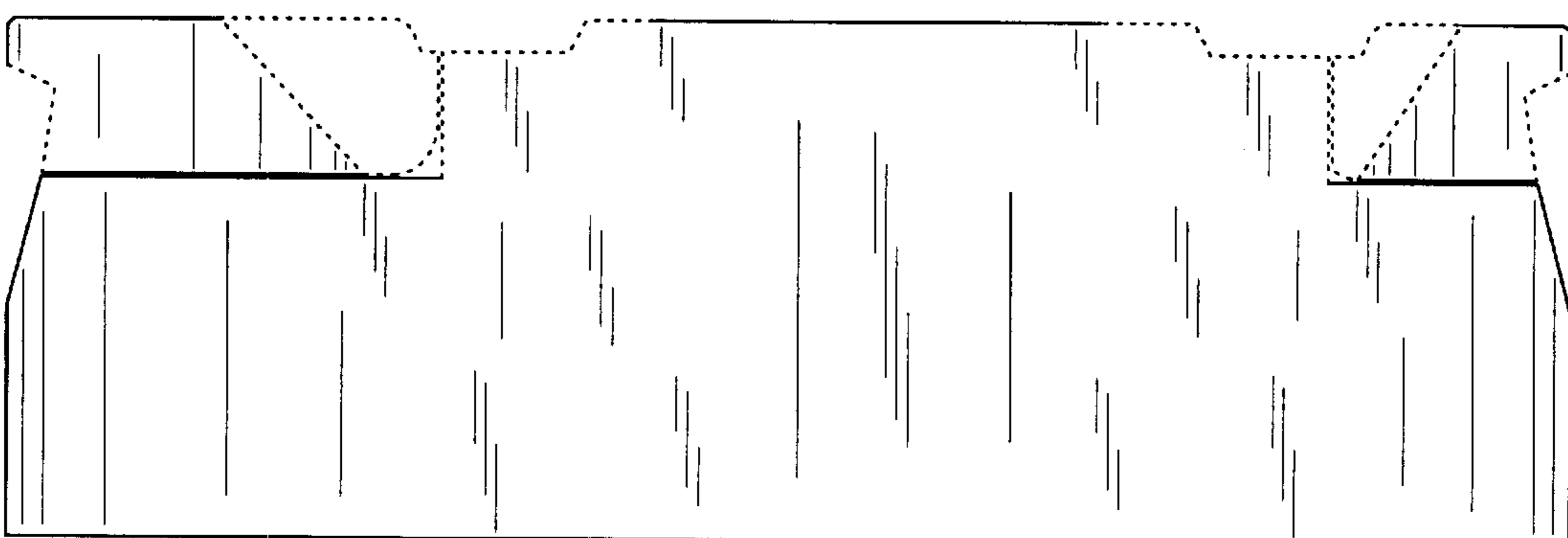


FIG. 4