



US00D541150S

(12) **United States Design Patent**
Holley, Jr.

(10) **Patent No.:** **US D541,150 S**
(45) **Date of Patent:** **** Apr. 24, 2007**

(54) **BOWTIE SHAPED PANEL FOR AN ARTICLE CARRIER**

D394,205 S * 5/1998 Bates D9/434

* cited by examiner

(75) Inventor: **John M. Holley, Jr.**, Lawrenceville, GA (US)

Primary Examiner—Robert M. Spear
Assistant Examiner—Susan Bennett Hattan

(73) Assignee: **MeadWestvaco Packaging Systems, LLC**, Glen Allen, VA (US)

(74) *Attorney, Agent, or Firm*—Tsugihiko Suzuki, Esq., MWV; Parks Knowlton, LLC; Cynthia R. Parks, Esq.

(**) Term: **14 Years**

(57) **CLAIM**

What is claimed is the ornamental design for a bowtie shaped panel for an article carrier, as shown and described.

(21) Appl. No.: **29/236,056**

(22) Filed: **Aug. 10, 2005**

DESCRIPTION

(51) **LOC (8) Cl.** **09-07**

(52) **U.S. Cl.** **D9/434; D9/456**

(58) **Field of Classification Search** D9/753,
D9/632, 457, 456, 435, 434, 433, 423, 418;
D5/63; D3/308; D2/869; 221/63; 206/197,
206/188, 182, 173

FIG. 1 is a perspective view of a first embodiment of a bowtie shaped panel for an article carrier.

FIG. 2 is a front elevational view of the article carrier of FIG. 1.

FIG. 3 is a perspective view of a second embodiment of a bowtie shaped panel for an article carrier; and,

FIG. 4 is a front elevational view of the article carrier of FIG. 3.

See application file for complete search history.

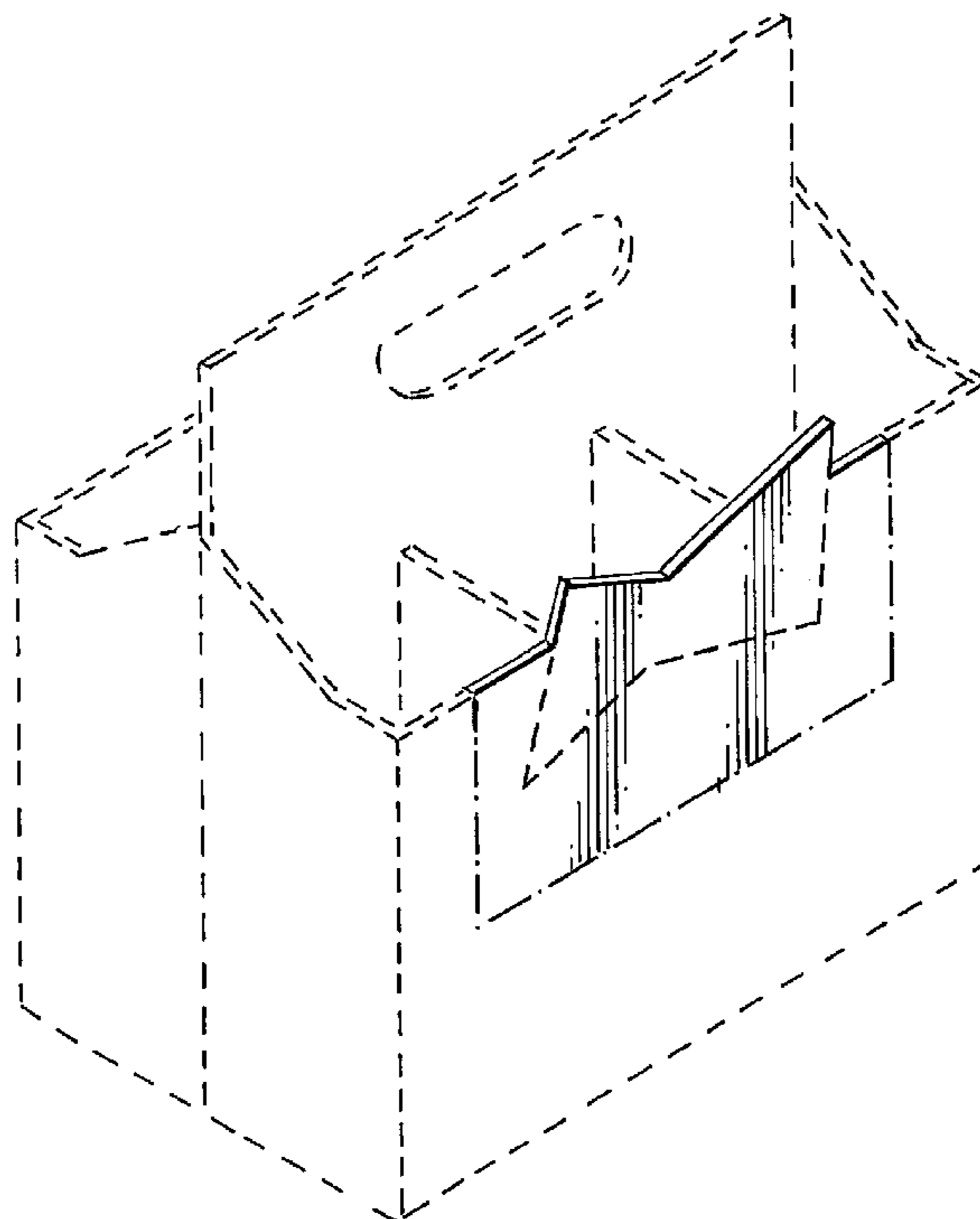
The portions of FIGS. 1–4 shown in broken lines are for illustrative purposes only and form no part of the claimed design. The boundary of the bowtie shaped panel is defined by the solid line and the dot-dash lines. The dot-dash lines define a boundary such that the bowtie shaped panel extends to the boundary but does not include the boundary.

(56) **References Cited**

U.S. PATENT DOCUMENTS

D198,481 S *	6/1964	Koolnis	D9/753
3,189,170 A *	6/1965	Elliott, Jr.	206/762
3,331,530 A	7/1967	Wood		
3,365,098 A	1/1968	Sims		
3,572,542 A	3/1971	Wood		
D265,294 S *	7/1982	Austin	D9/434

1 Claim, 2 Drawing Sheets



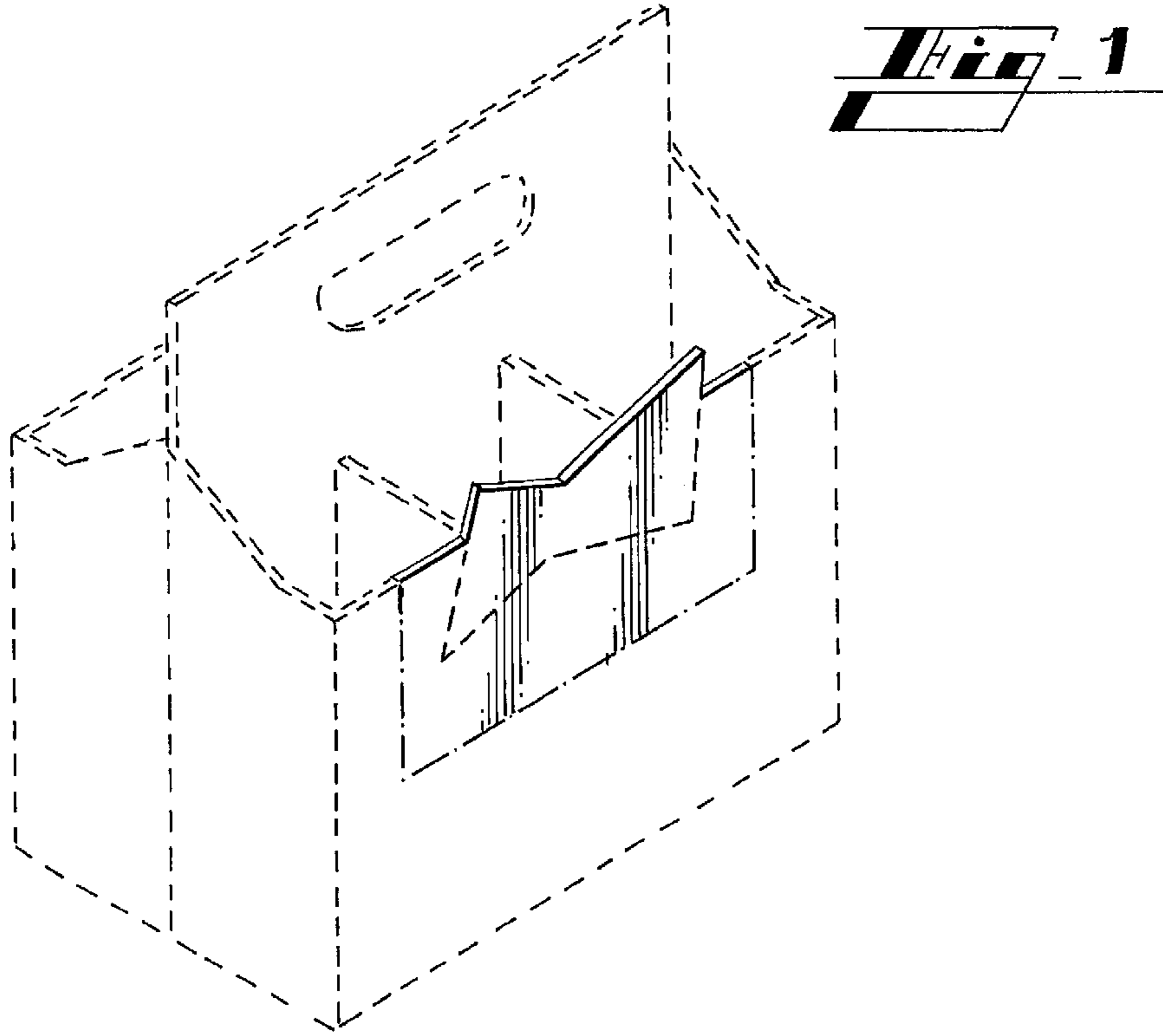


Fig. 1

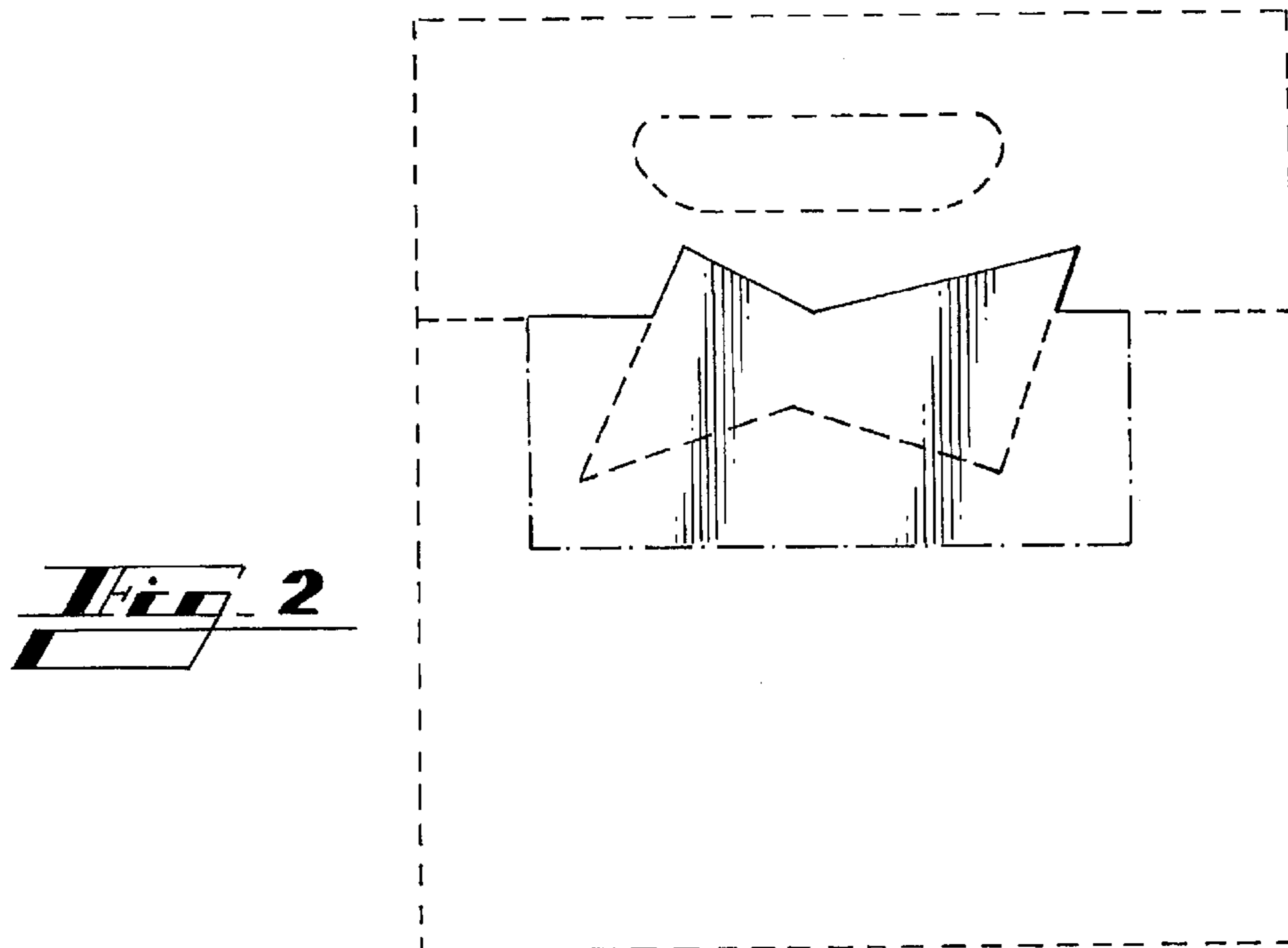


Fig. 2

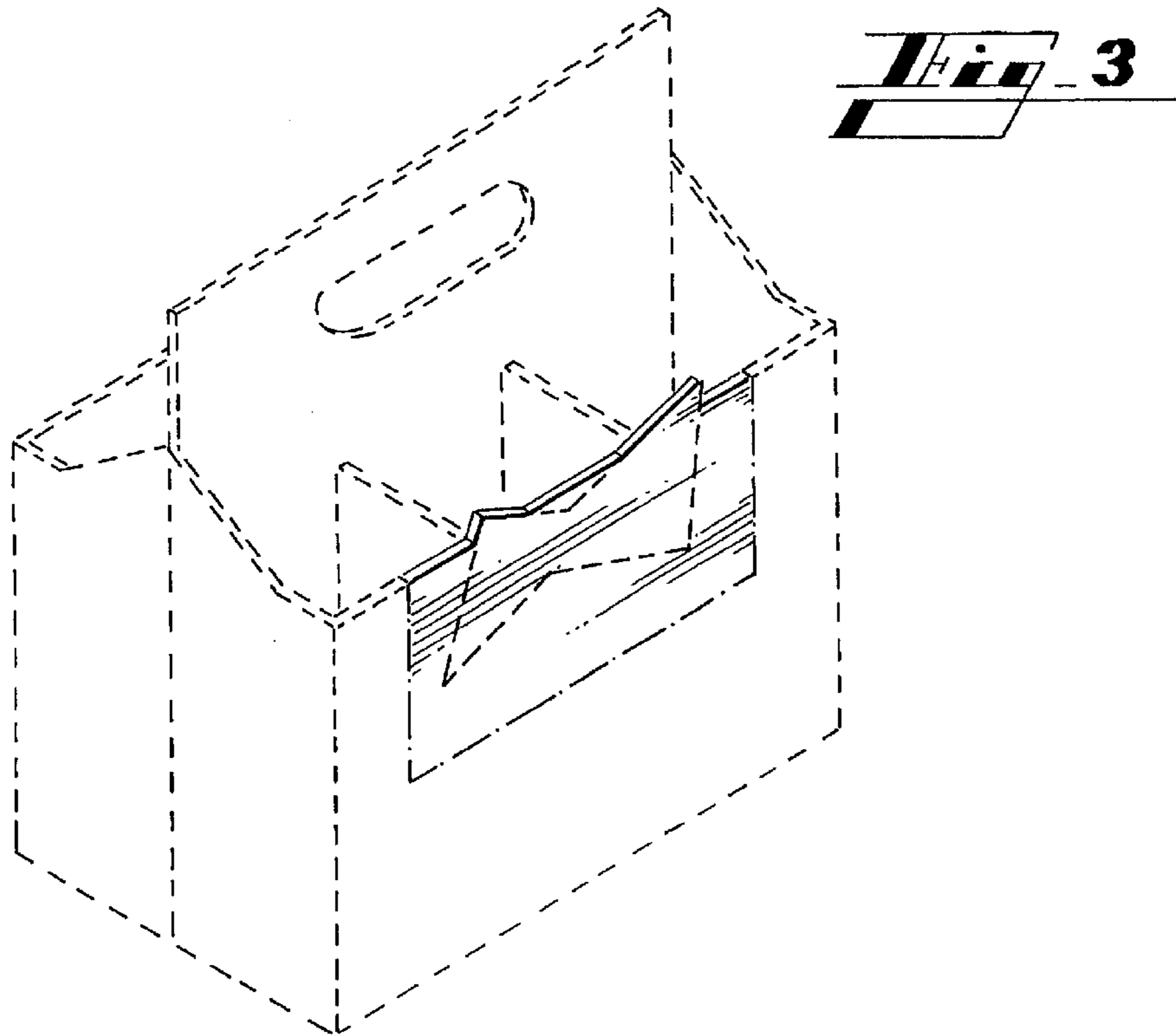


Fig. 3

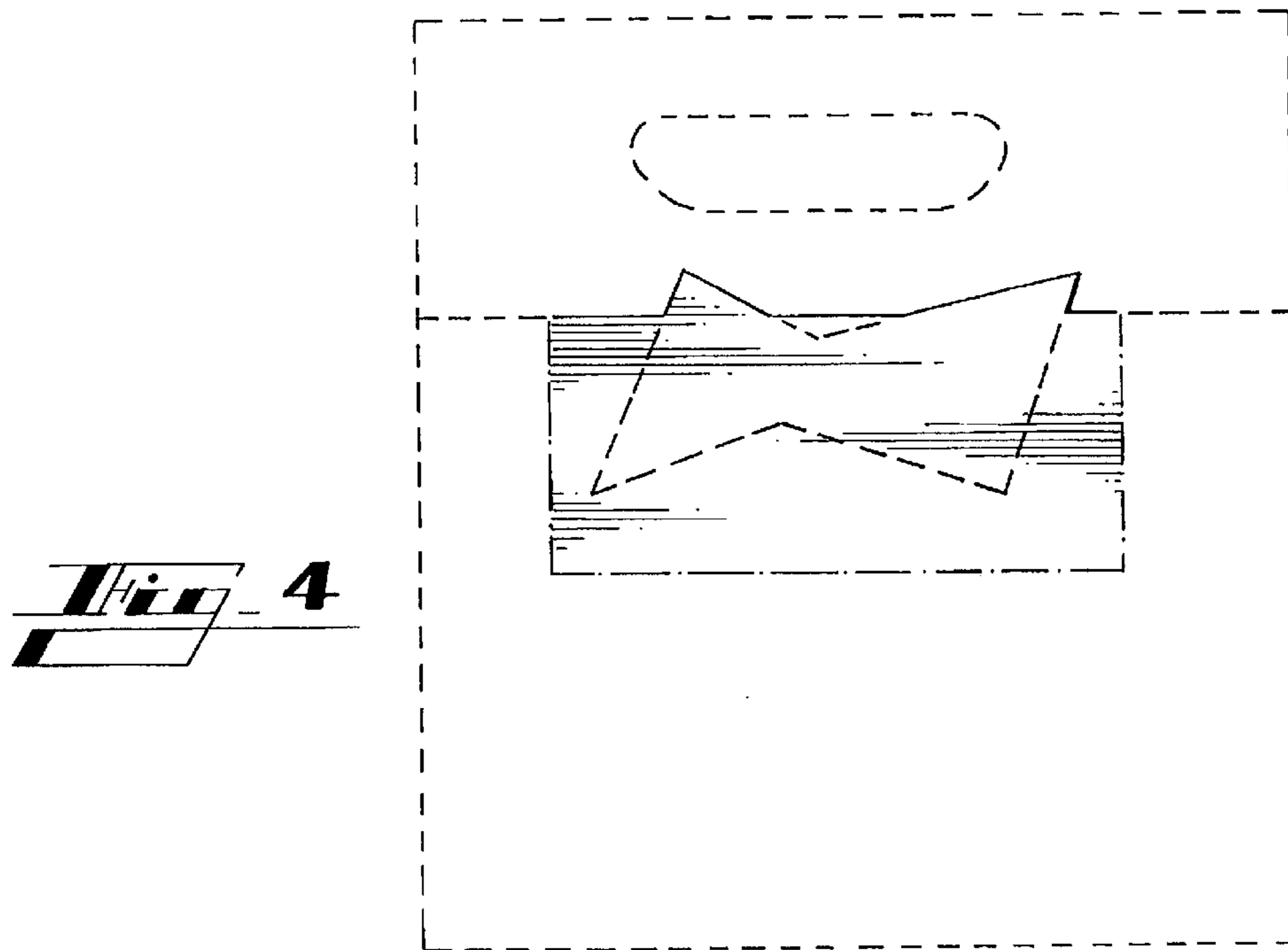


Fig. 4