



US00D541149S

(12) **United States Design Patent**
Moorman

(10) **Patent No.:** **US D541,149 S**

(45) **Date of Patent:** **** Apr. 24, 2007**

- (54) **PORTION OF A CONTAINER**
- (75) Inventor: **Stephen E Moorman**, Madera, CA (US)
- (73) Assignee: **Georgia-Pacific Corrugated LLC**, Atlanta, GA (US)
- (**) Term: **14 Years**

5,522,538 A	6/1996	Gray	
5,673,848 A	* 10/1997	Garza	229/191
D389,045 S	* 1/1998	Smiley et al.	D8/378
5,839,651 A	11/1998	Teags et al.	
D401,852 S	12/1998	Teags	
5,860,590 A	1/1999	Blomfield et al.	
6,938,818 B2	* 9/2005	Moorman et al.	229/122
2005/0023332 A1	* 2/2005	Moorman et al.	229/122

- (21) Appl. No.: **29/246,376**
- (22) Filed: **Apr. 5, 2006**
- (51) **LOC (8) Cl.** **09-03**
- (52) **U.S. Cl.** **D9/431**
- (58) **Field of Classification Search** D9/414, D9/418, 420-423, 430-433; 229/122, 157, 229/120, 156, 113, 171, 174, 178, DIG. 11
See application file for complete search history.

FOREIGN PATENT DOCUMENTS

NL 1016539 7/2002

* cited by examiner

Primary Examiner—Stella Reid
Assistant Examiner—Mark Goodwin

(57) **CLAIM**

The ornamental design for a portion of a container, as shown and described.

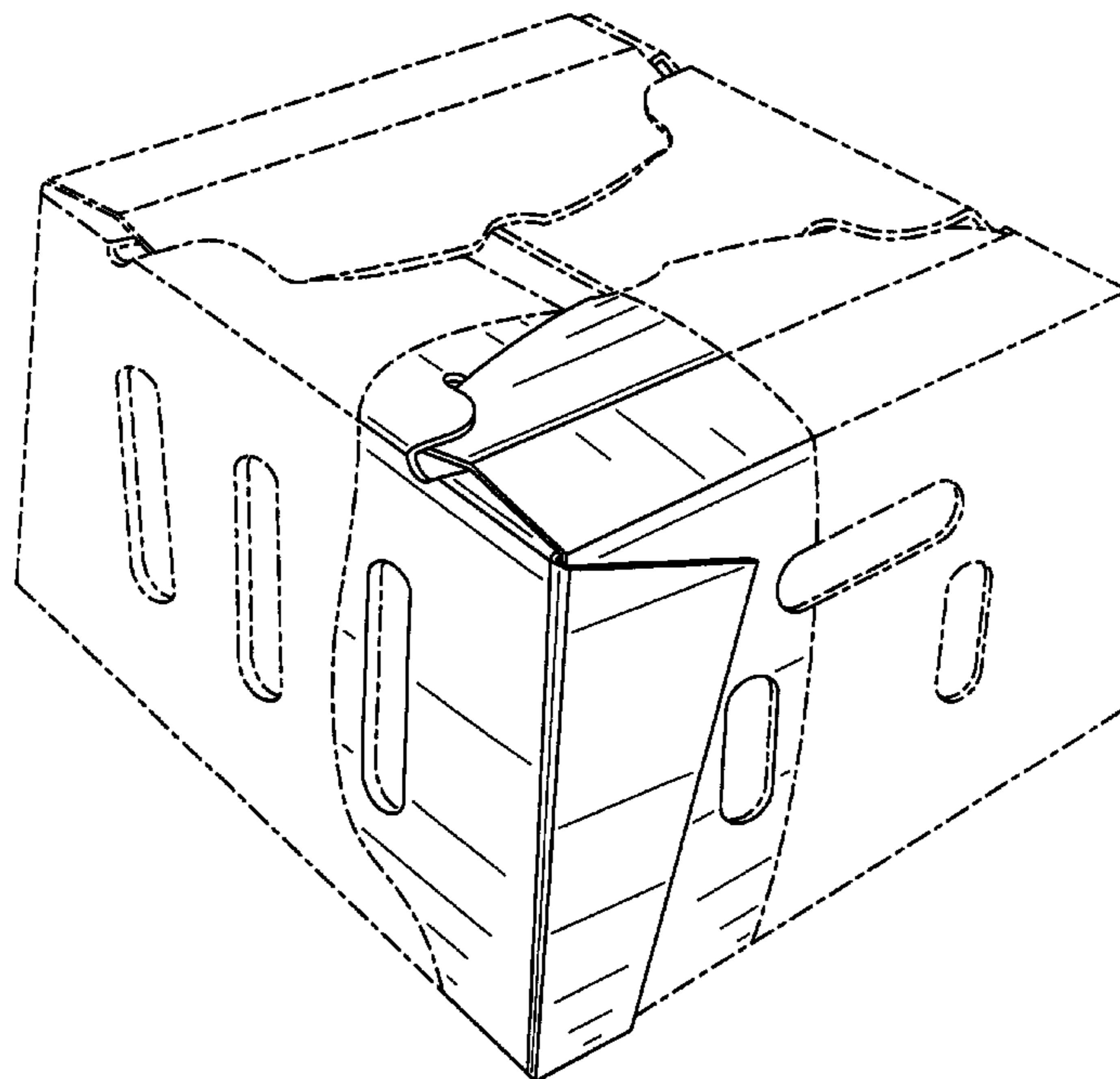
DESCRIPTION

FIG. 1 is a perspective top view of a portion of a container showing my new design;
 FIG. 2 is a right side elevational view thereof;
 FIG. 3 is a left side elevational view thereof;
 FIG. 4 is a front elevational view thereof;
 FIG. 5 is a rear elevational view thereof;
 FIG. 6 is a top plan view thereof;
 FIG. 7 is a bottom plan view thereof; and,
 FIG. 8 is a perspective bottom view thereof.
 The broken line showing disclaimed regions in the figures and the remainder of the container are for illustrative purposes only and form no portion of the claimed design. The broken line immediately adjacent to the shaded region represents an unclaimed boundary of the design.

(56) **References Cited**
U.S. PATENT DOCUMENTS

1,668,800 A	5/1928	Bonfield	
2,572,610 A	10/1951	Gilbert	
3,178,092 A	4/1965	Munana et al.	
3,343,744 A	* 9/1967	Morell et al.	229/149
3,731,872 A	5/1973	McCormick	
4,127,228 A	11/1978	Hall	
4,245,771 A	1/1981	Christian	
4,529,117 A	7/1985	Brundage	
4,946,093 A	* 8/1990	Moorman	229/125.19
5,002,224 A	* 3/1991	Muise	229/169
5,163,609 A	11/1992	Muise, Jr.	
5,289,970 A	* 3/1994	McClure	229/143
D356,253 S	* 3/1995	Bacchetti et al.	D9/418
5,462,220 A	10/1995	Bacchetti et al.	
5,503,324 A	4/1996	Bacchetti et al.	

1 Claim, 8 Drawing Sheets



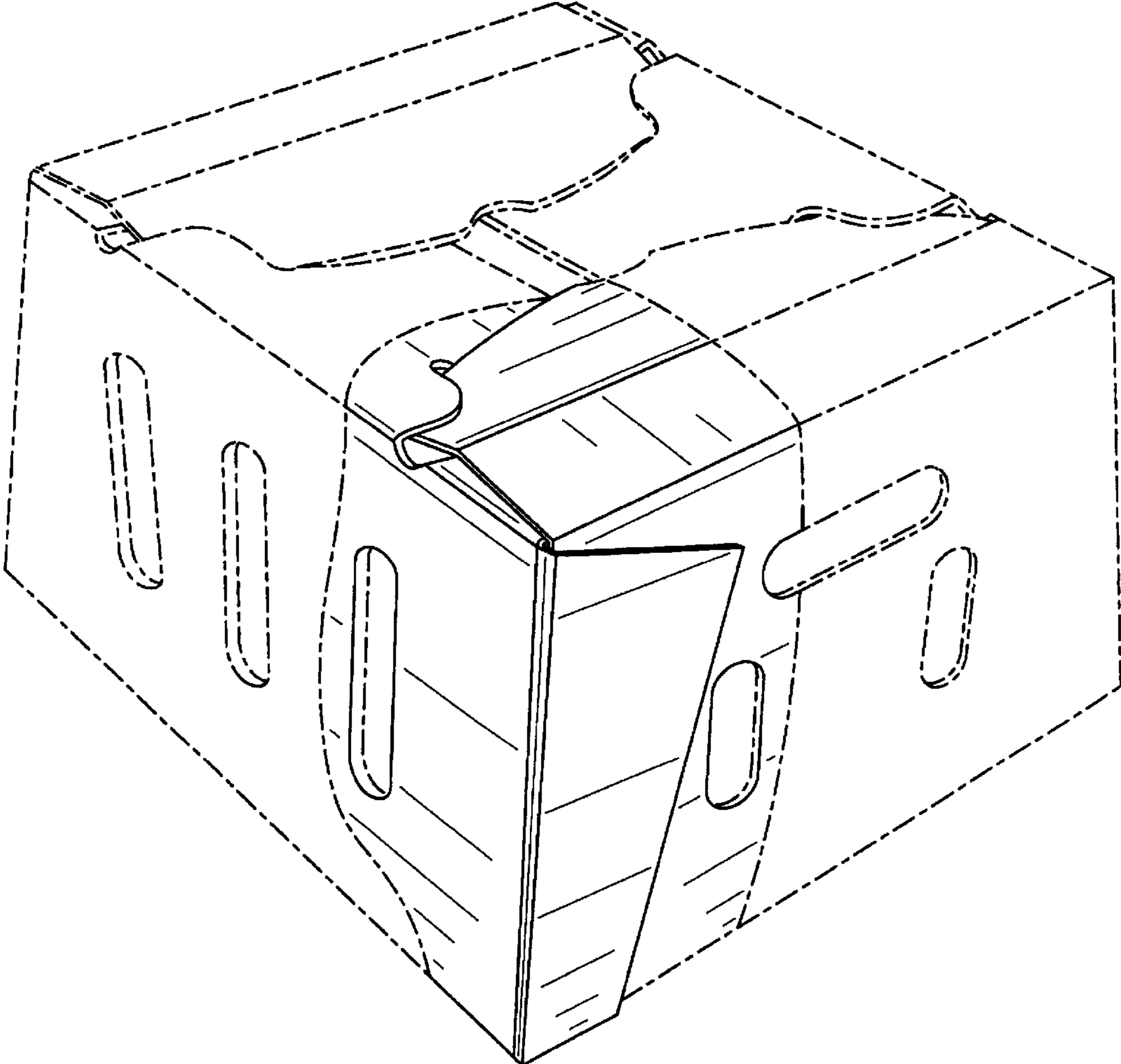


FIG. 1

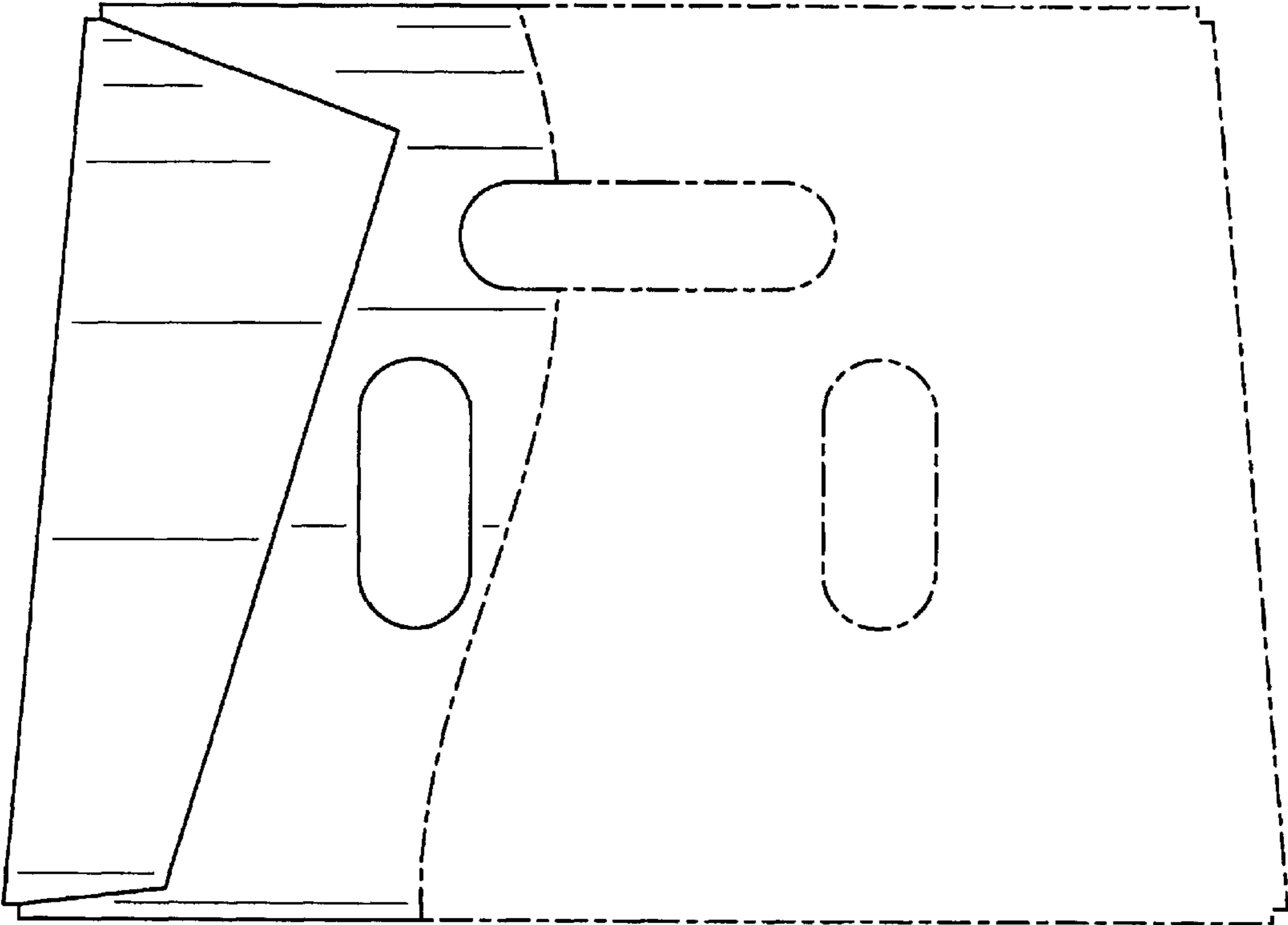


FIG. 2

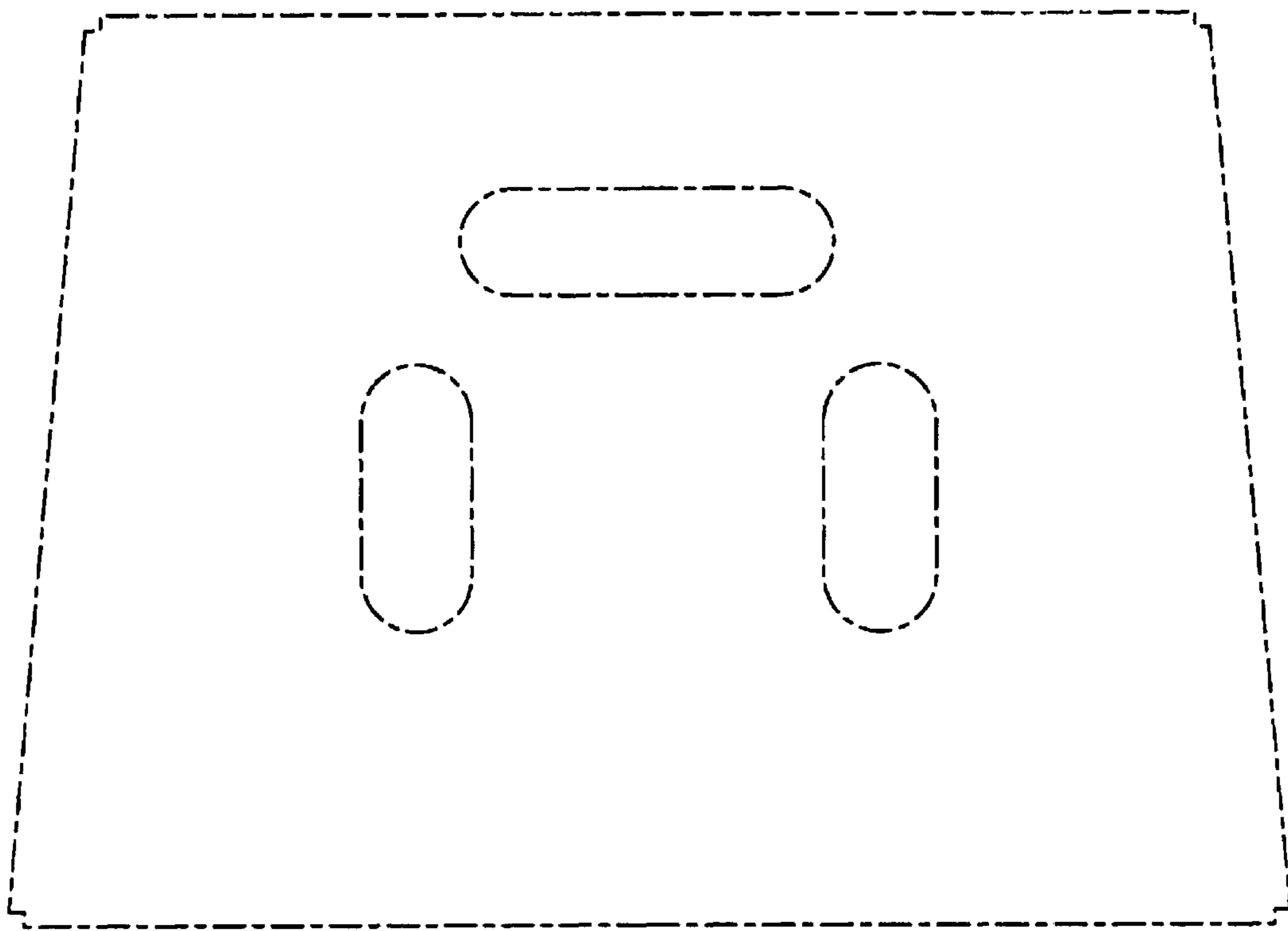


FIG. 3

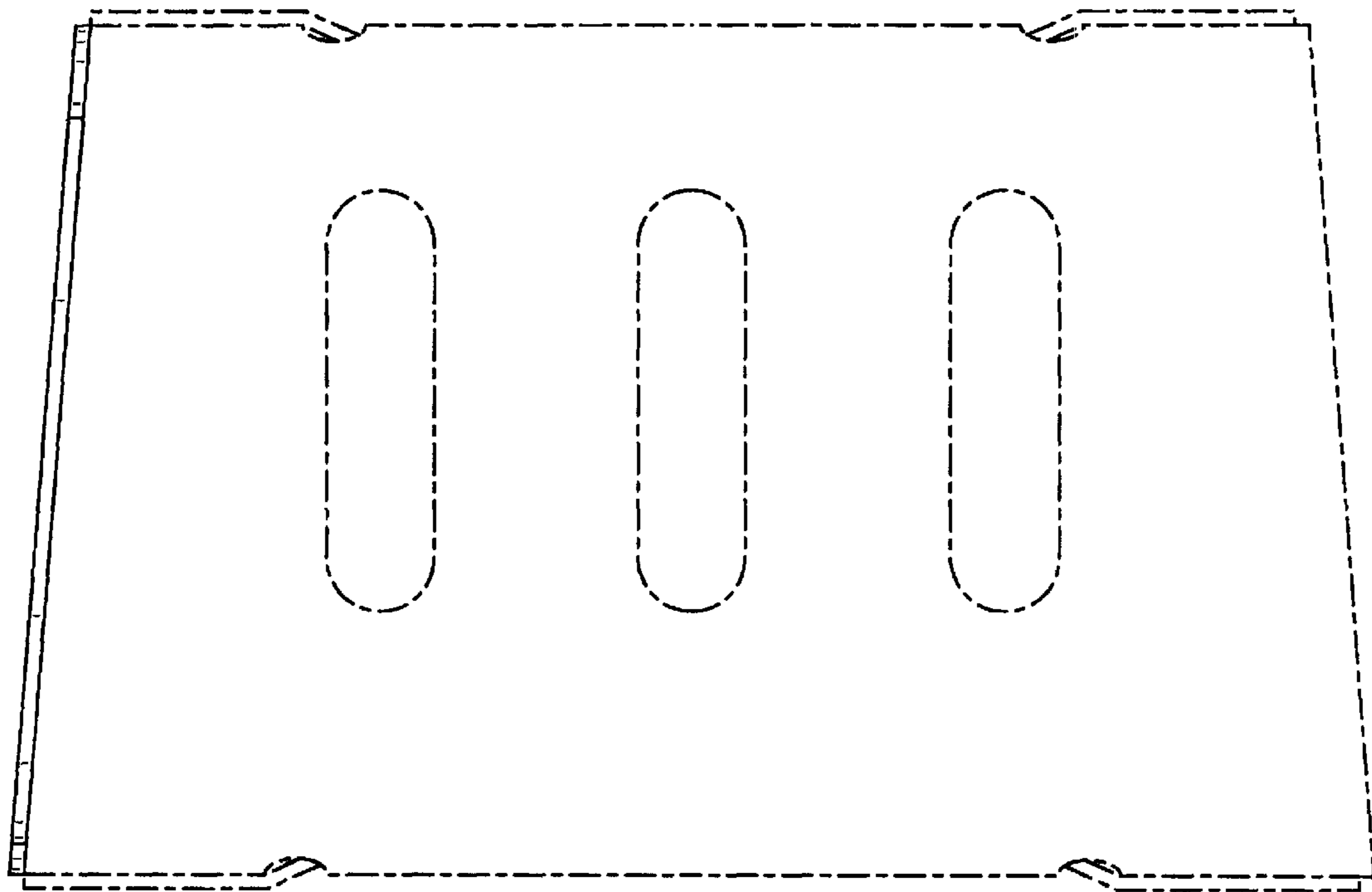


FIG. 4

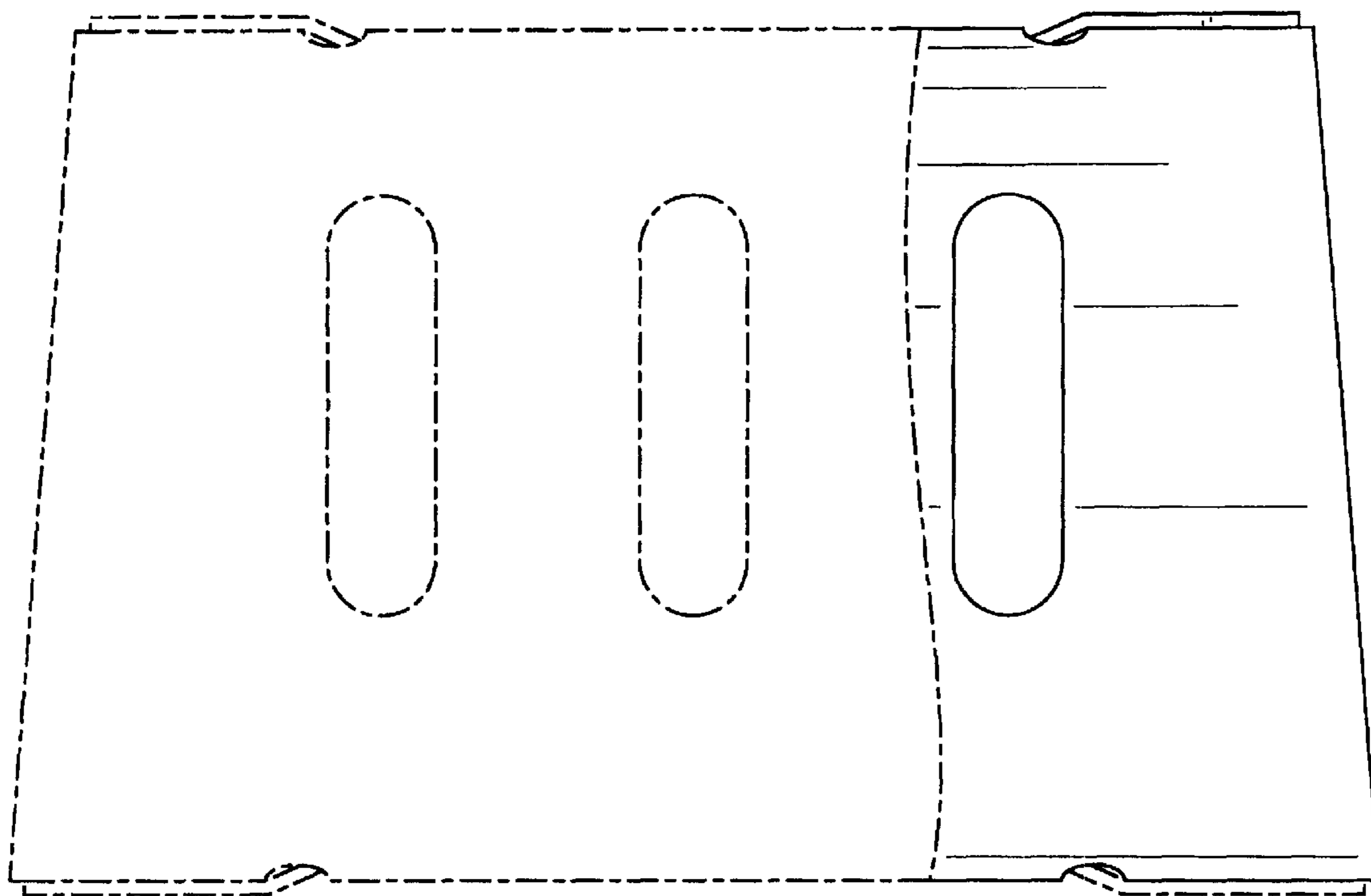


FIG. 5

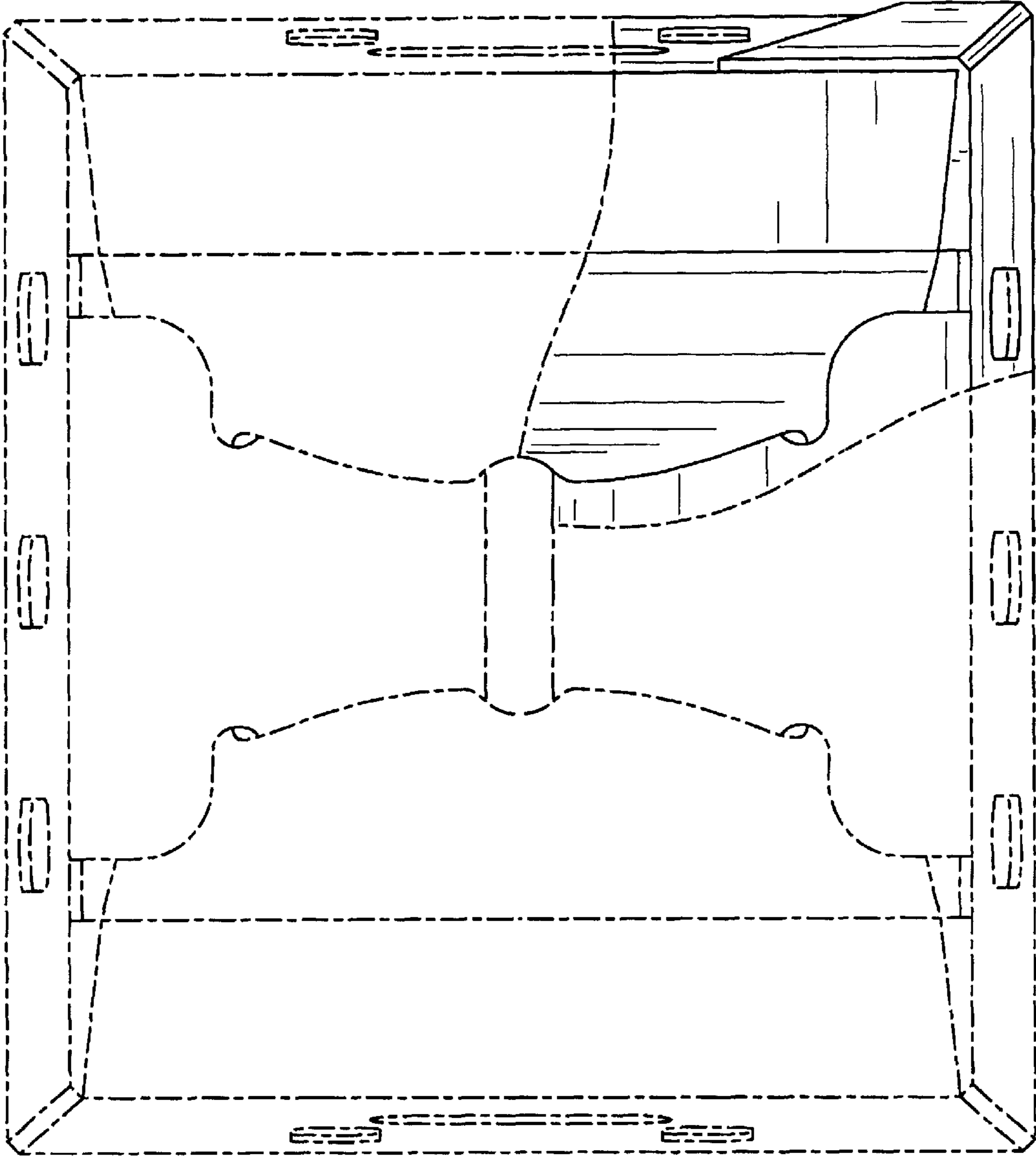


FIG. 6

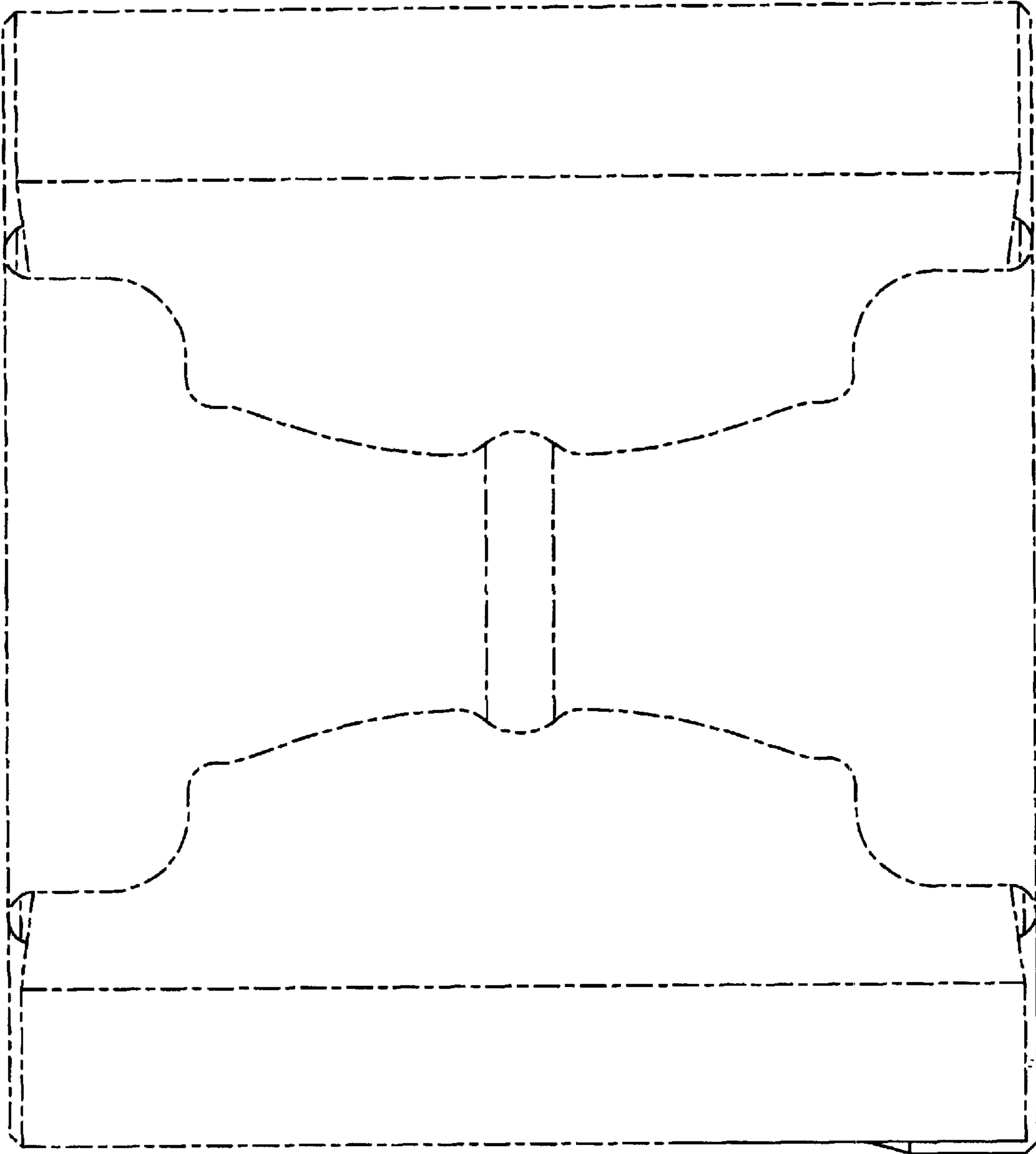


FIG. 7

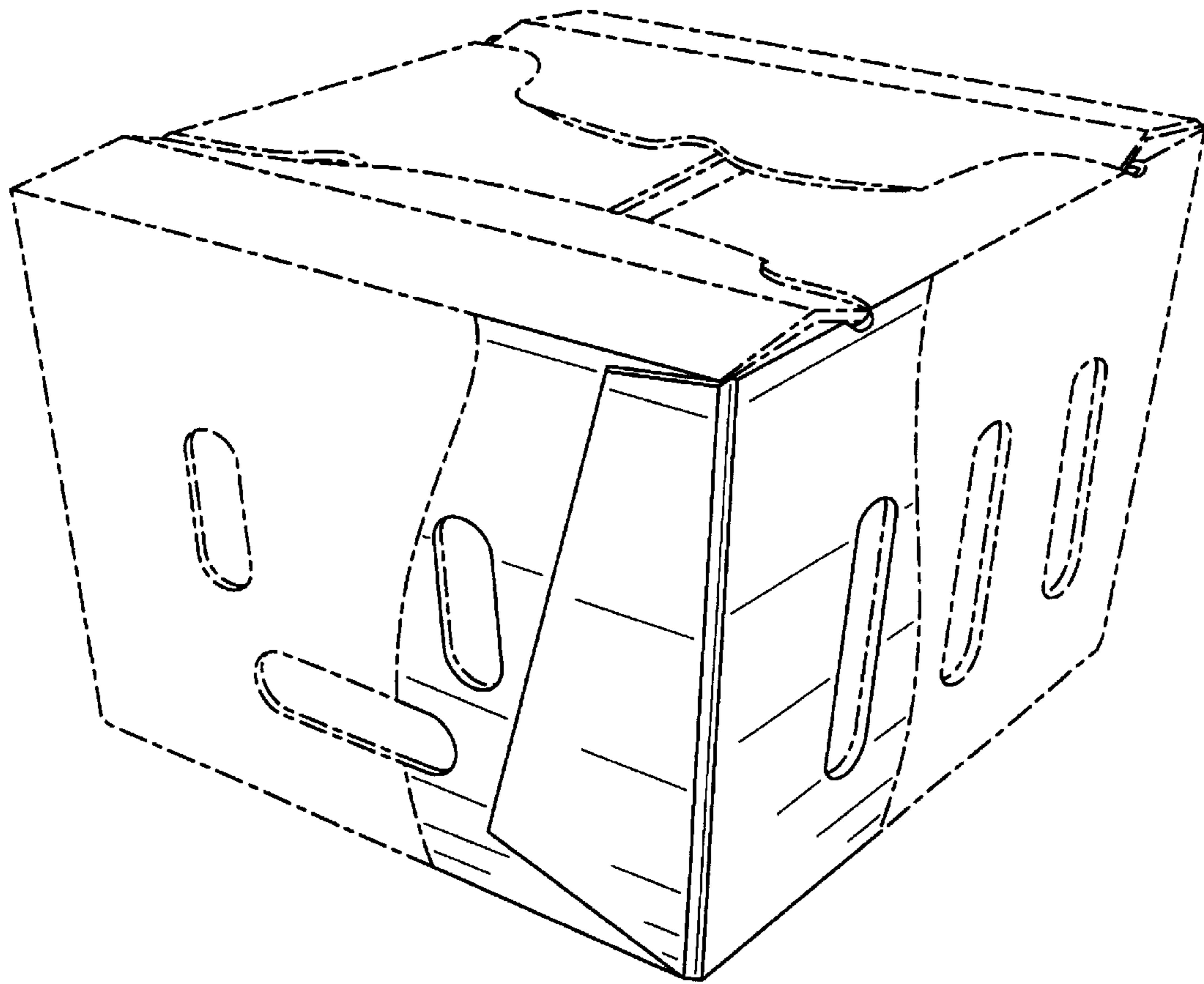


FIG. 8