

US00D541148S

(12) **United States Design Patent**
Gross et al.

(10) **Patent No.: US D541,148 S**

(45) **Date of Patent: ** *Apr. 24, 2007**

(54) **CONTAINER WITH LID**

(75) Inventors: **Robert Michael Gross**, Midland, MI (US); **Jason Matthew Osentoski**, Gladwin, MI (US); **Daniel Aaron Maciag**, Midland, MI (US); **Glenn Josef White**, Louisville, KY (US); **Susan Elizabeth Thomas**, Louisville, KY (US)

(73) Assignee: **Huhtamaki Company Manufacturing**, Desoto, KS (US)

(*) Notice: This patent is subject to a terminal disclaimer.

(**) Term: **14 Years**

(21) Appl. No.: **29/225,256**

(22) Filed: **Mar. 14, 2005**

(51) **LOC (8) Cl.** **09-03**

(52) **U.S. Cl.** **D9/428; D9/425**

(58) **Field of Classification Search** D9/428, D9/414, 416, 424, 429, 435, 452-454; D7/392.1, D7/602, 608, 615; D12/197; 206/508, 509; 220/270, 574

See application file for complete search history.

(56) **References Cited**

U.S. PATENT DOCUMENTS

3,216,148 A * 11/1965 Amberg 43/55
3,836,042 A * 9/1974 Petitto 206/519

3,915,330 A * 10/1975 Hammes et al. 220/659
4,375,862 A * 3/1983 Kurinsky et al. 220/293
4,753,351 A * 6/1988 Guillin 206/520
D306,974 S * 4/1990 Tholstrup D9/424
D394,005 S * 5/1998 Marijnissen D9/416
D452,151 S * 12/2001 Scott D9/428

* cited by examiner

Primary Examiner—Prabhakar Deshmukh

Assistant Examiner—Derrick Holland

(74) *Attorney, Agent, or Firm*—Blackwell Sanders Peper Martin LLP

(57) **CLAIM**

The ornamental design for a container with lid, as shown and described.

DESCRIPTION

FIG. 1 is a perspective view of the container with lid embodying the design, according to the present invention; FIG. 2 is a top plan view thereof;

FIG. 3 is a front elevational view of the view shown in FIG. 2;

FIG. 4 is a rear elevational view of the view shown in FIG. 2;

FIG. 5 is a left-side elevational view of the view shown in FIG. 2 with the right-side elevational view being a mirror image thereof; and,

FIG. 6 is a bottom plan view of the view shown in FIG. 2. The broken lines showing are for illustrative purposes only and form no part of the claimed design.

1 Claim, 2 Drawing Sheets

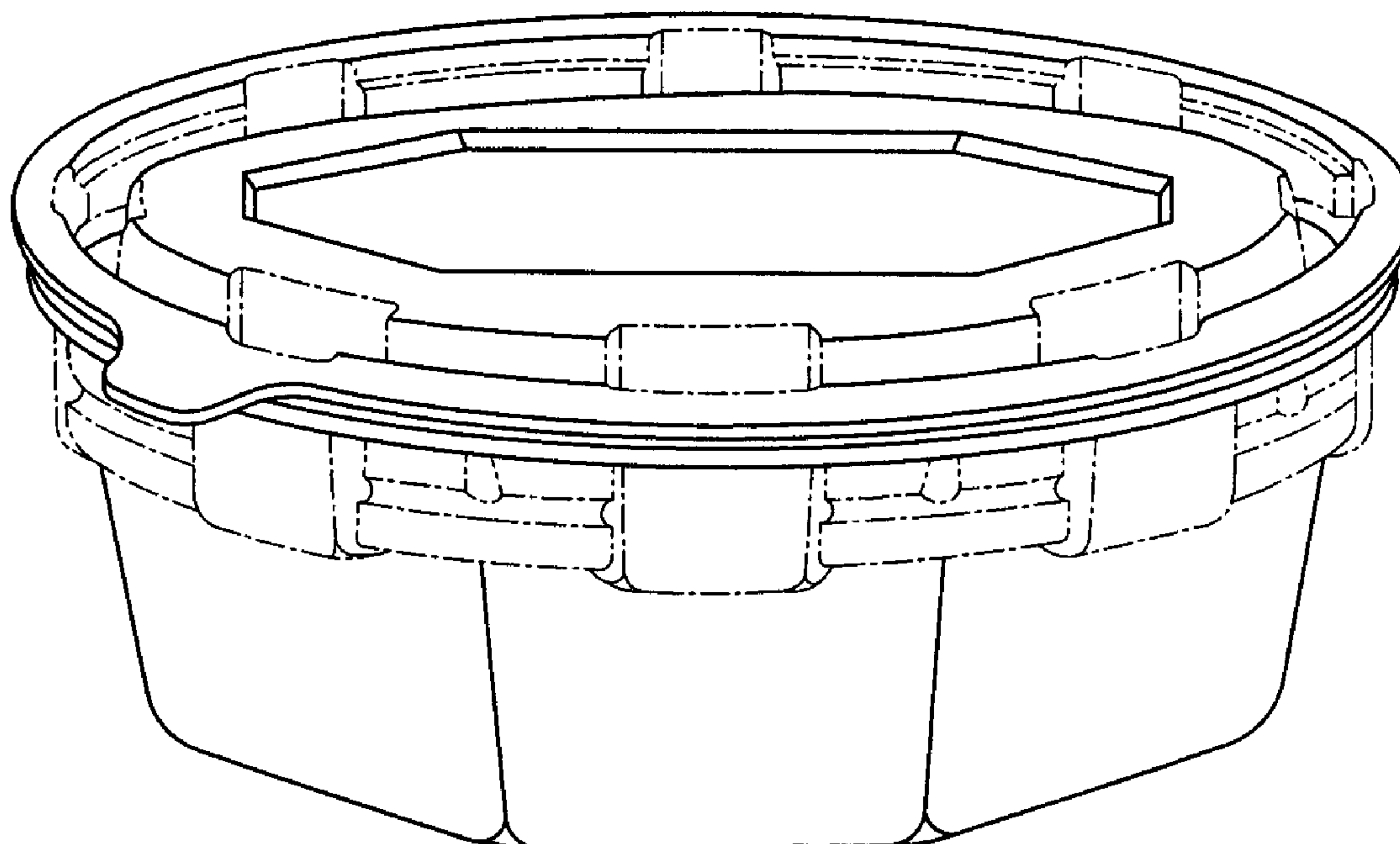


FIG. 1.

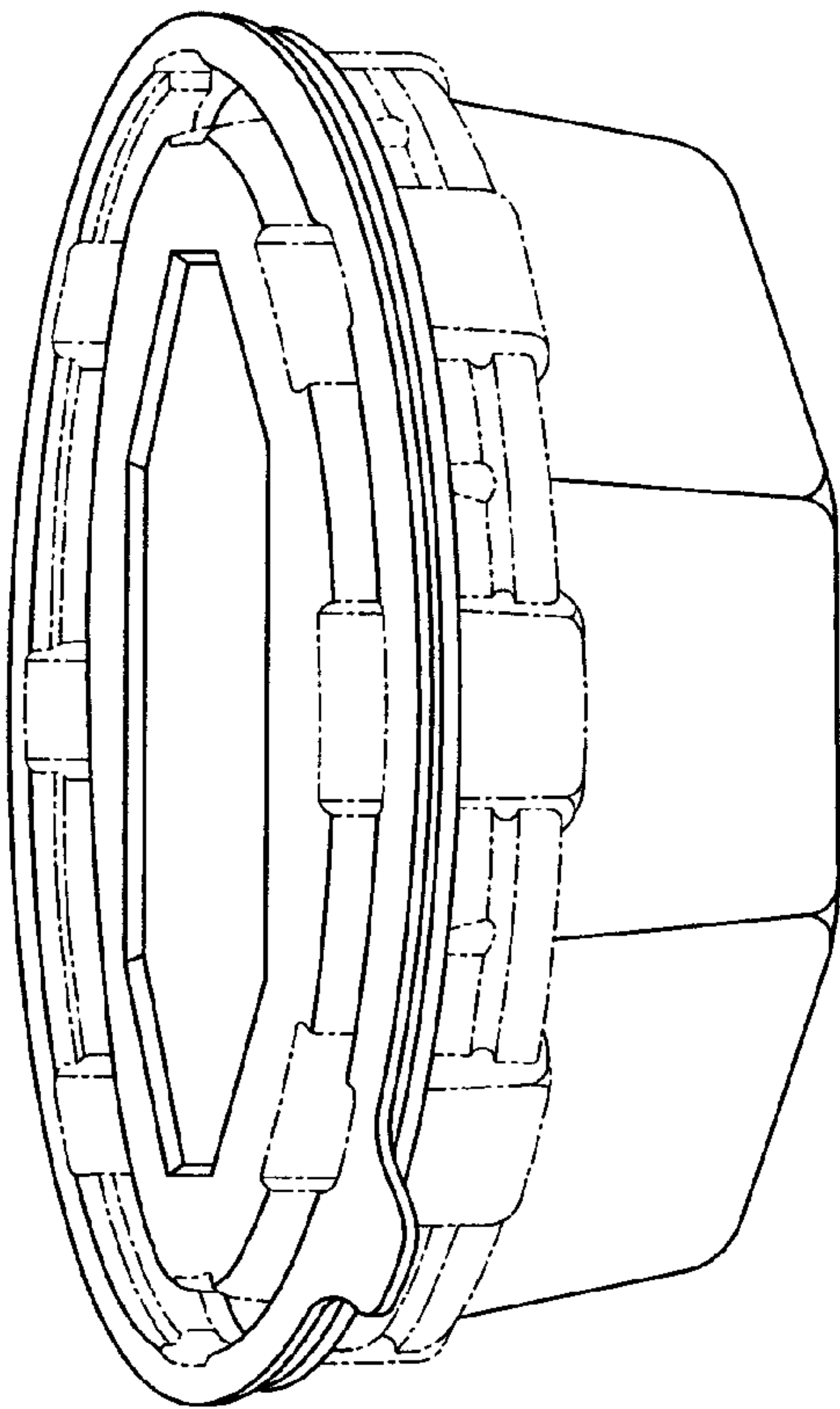


FIG. 3.

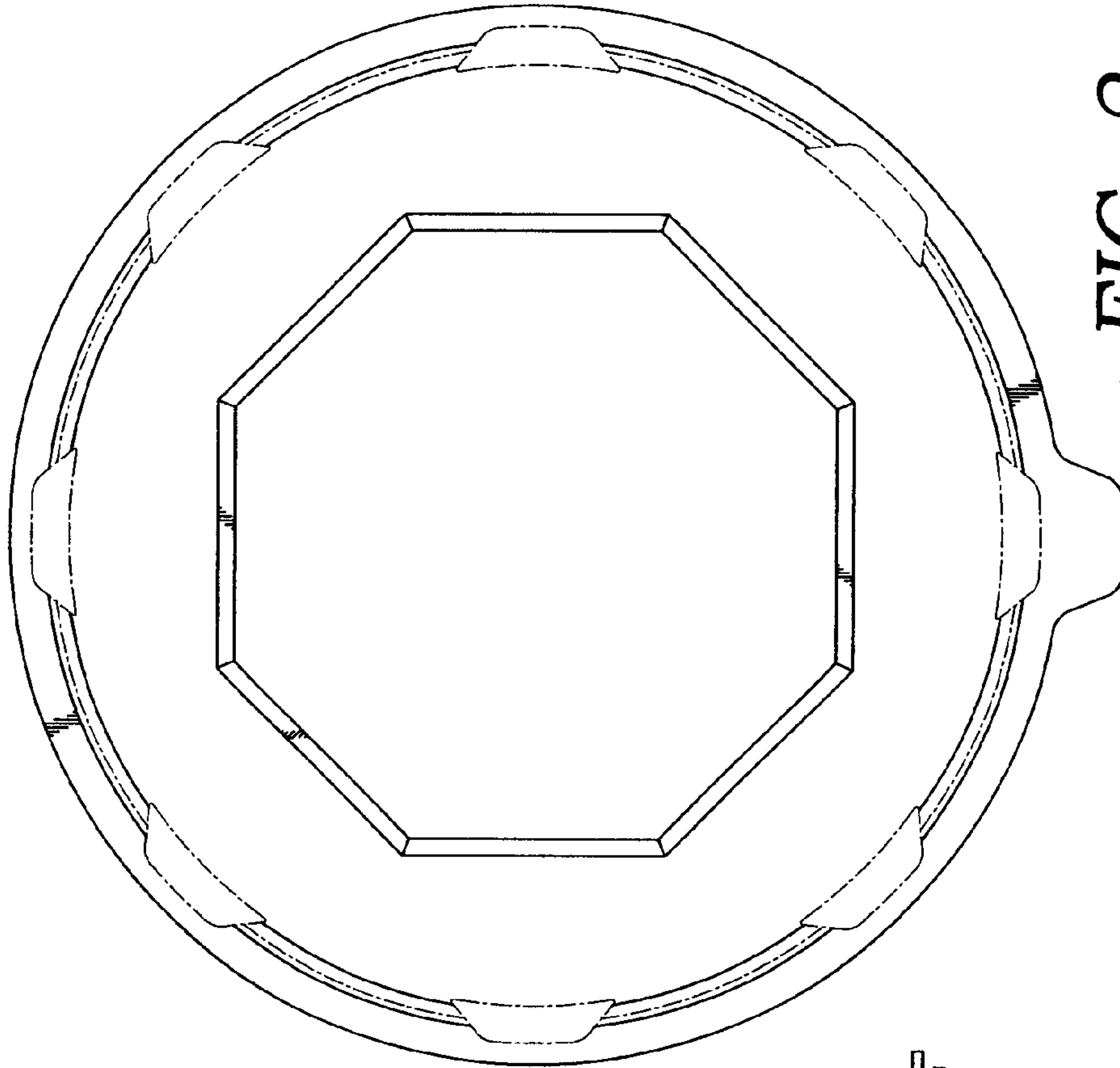
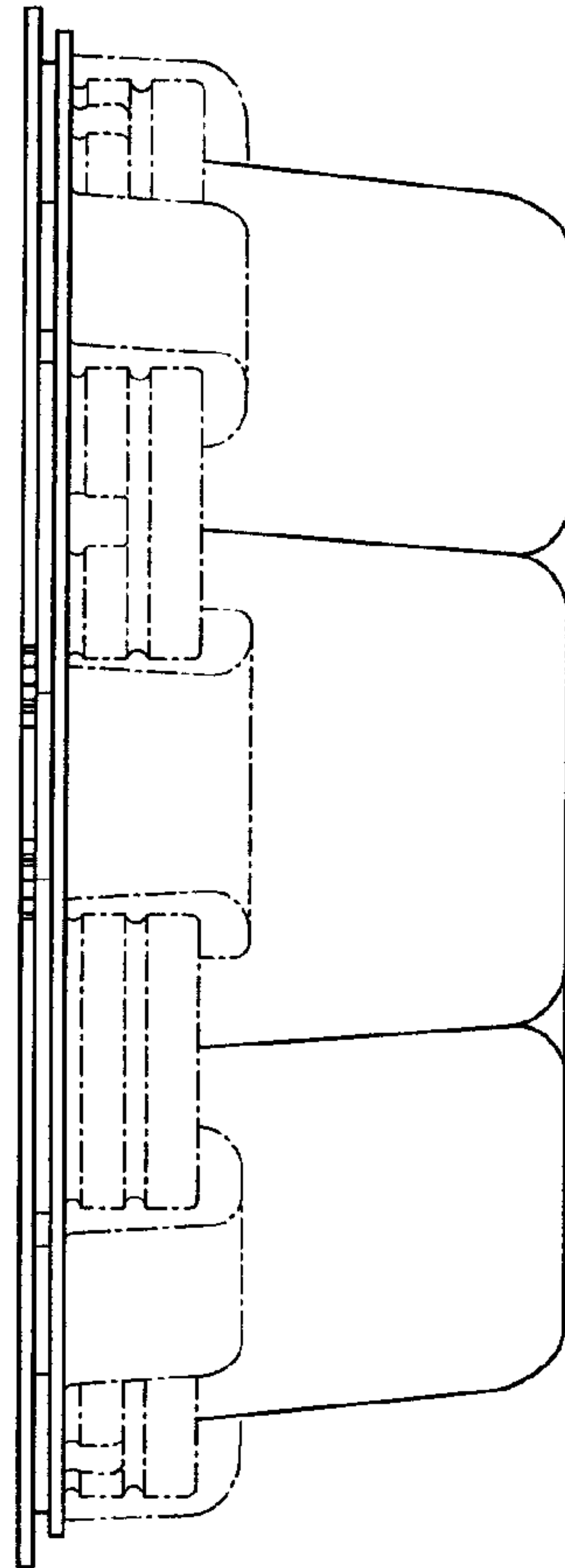


FIG. 2.

FIG. 4.

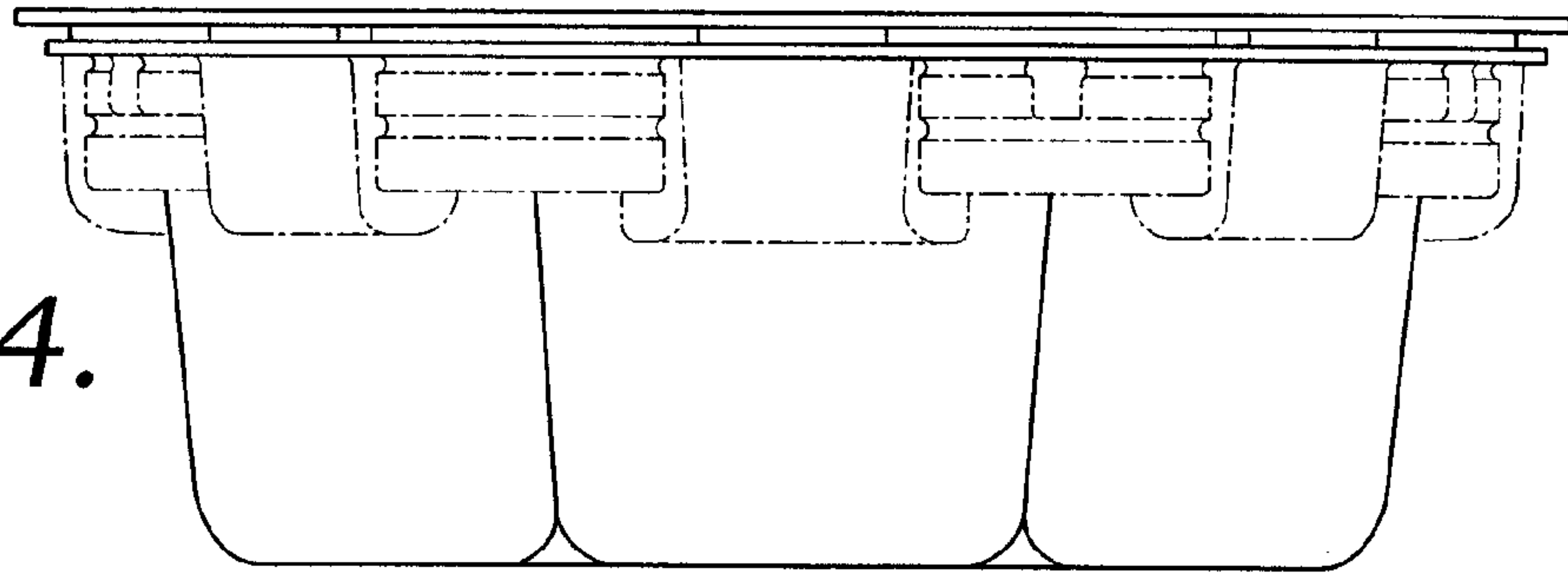


FIG. 5.

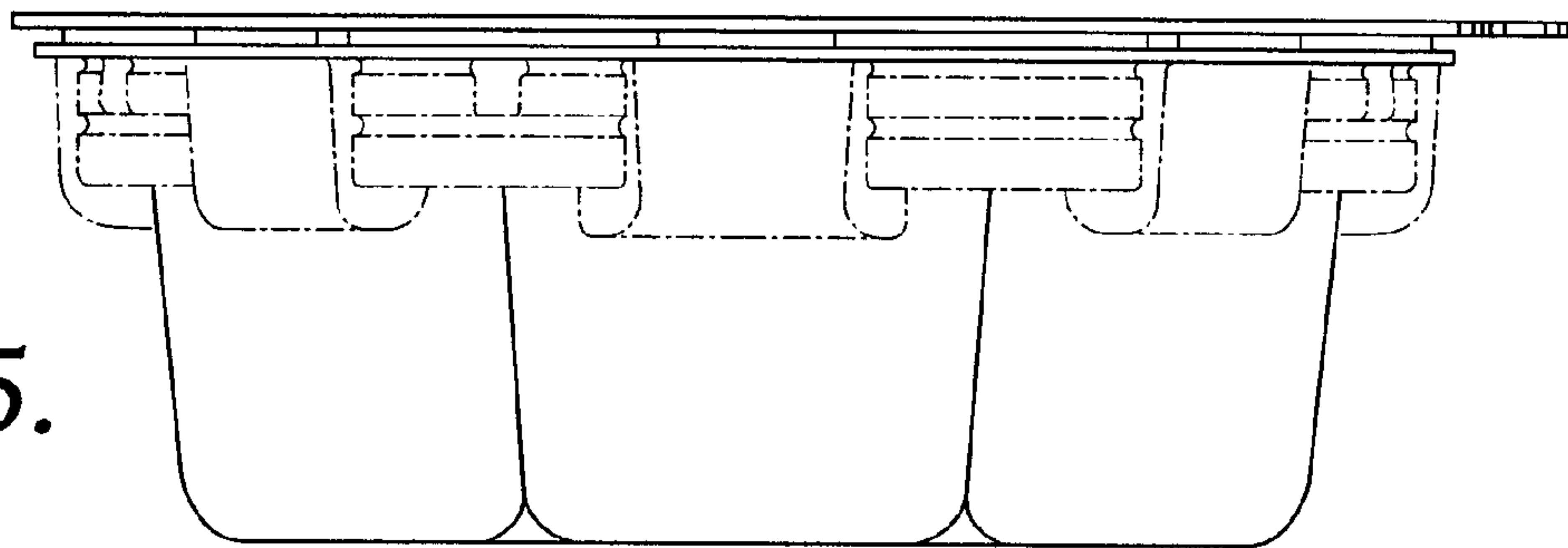


FIG. 6.

