

US00D541147S

(12) **United States Design Patent**
LaMasney

(10) **Patent No.:** **US D541,147 S**

(45) **Date of Patent:** **** Apr. 24, 2007**

(54) **FRUIT CUP**

4,446,969 A * 5/1984 Tyler 206/519
D288,065 S * 2/1987 Tyler D9/429
D468,200 S * 1/2003 Kim et al. D9/428

(75) Inventor: **Robert G. LaMasney**, Cross Plains,
WI (US)

OTHER PUBLICATIONS

(73) Assignee: **Plastic Ingenuity, Inc.**, Cross Plains,
WI (US)

Clear Solo cup, top plan and side plan photos, product No.
SOL-SD8, Sep. 25, 2004.

(**) Term: **14 Years**

* cited by examiner

(21) Appl. No.: **29/224,127**

Primary Examiner—Stella Reid
Assistant Examiner—Derrick Holland

(22) Filed: **Feb. 25, 2005**

(74) *Attorney, Agent, or Firm*—Foley & Lardner, LLP

(51) **LOC (8) Cl.** **09-03**

(57) **CLAIM**

(52) **U.S. Cl.** **D9/428**; D9/429

We claim the ornamental design for a fruit cup, as shown and
described.

(58) **Field of Classification Search** D9/428,
D9/424, 425, 429; 206/515, 519, 520; 229/400
See application file for complete search history.

DESCRIPTION

(56) **References Cited**

FIG. 1 is a perspective view of a fruit cup showing my new
design;

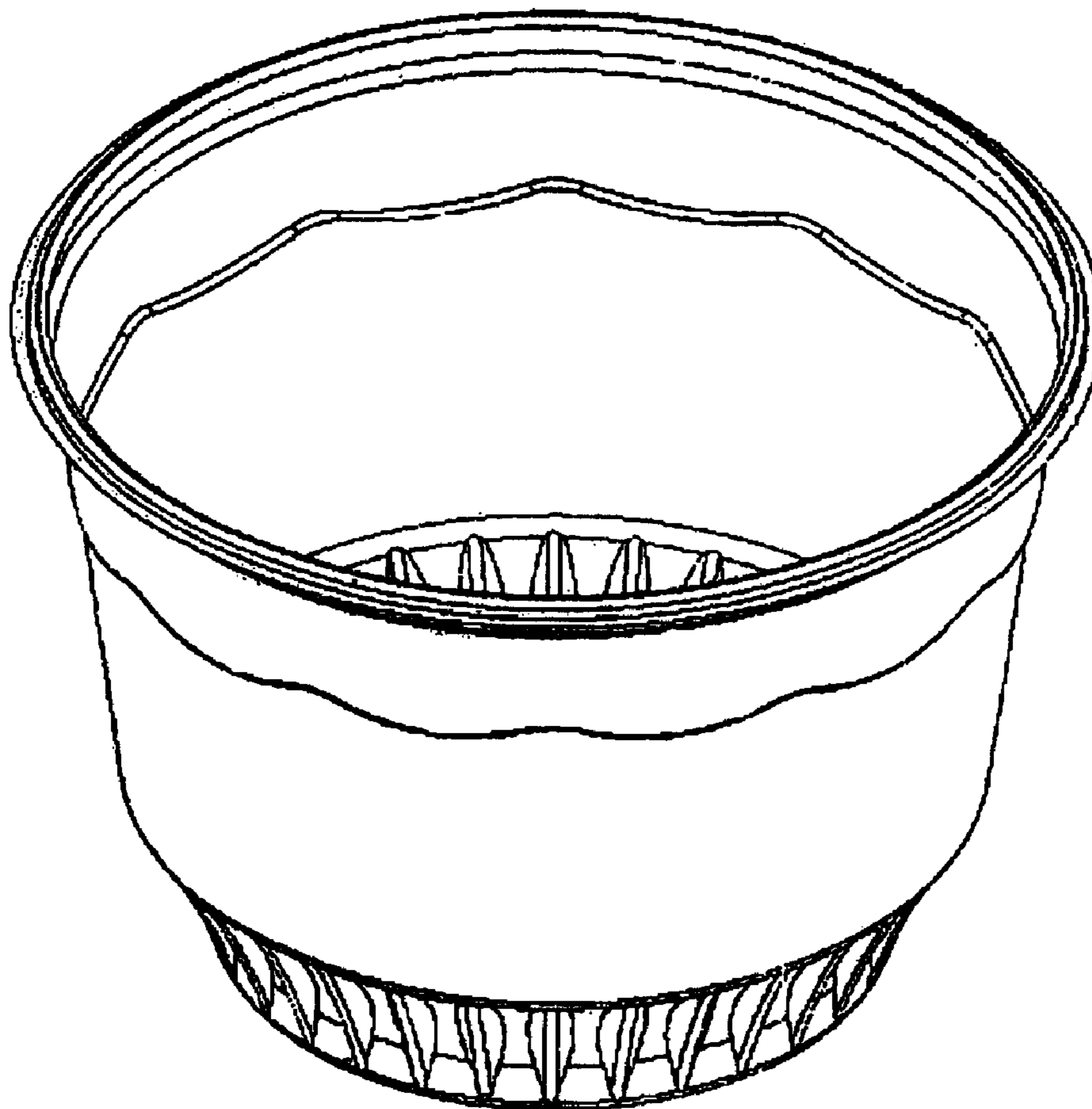
U.S. PATENT DOCUMENTS

FIG. 2 is a top plan view thereof, the broken lines in the
drawing are for illustrative purposes only and form no part
of the claimed design; and,

D192,191 S * 2/1962 Do Chung Han D9/429
D196,332 S * 9/1963 Lynch D9/429
D196,394 S * 9/1963 Eicholtz D9/429
D204,212 S * 3/1966 Davis D9/429
3,934,725 A * 1/1976 Edwards 206/519

FIG. 3 is a side elevation view thereof.

1 Claim, 3 Drawing Sheets



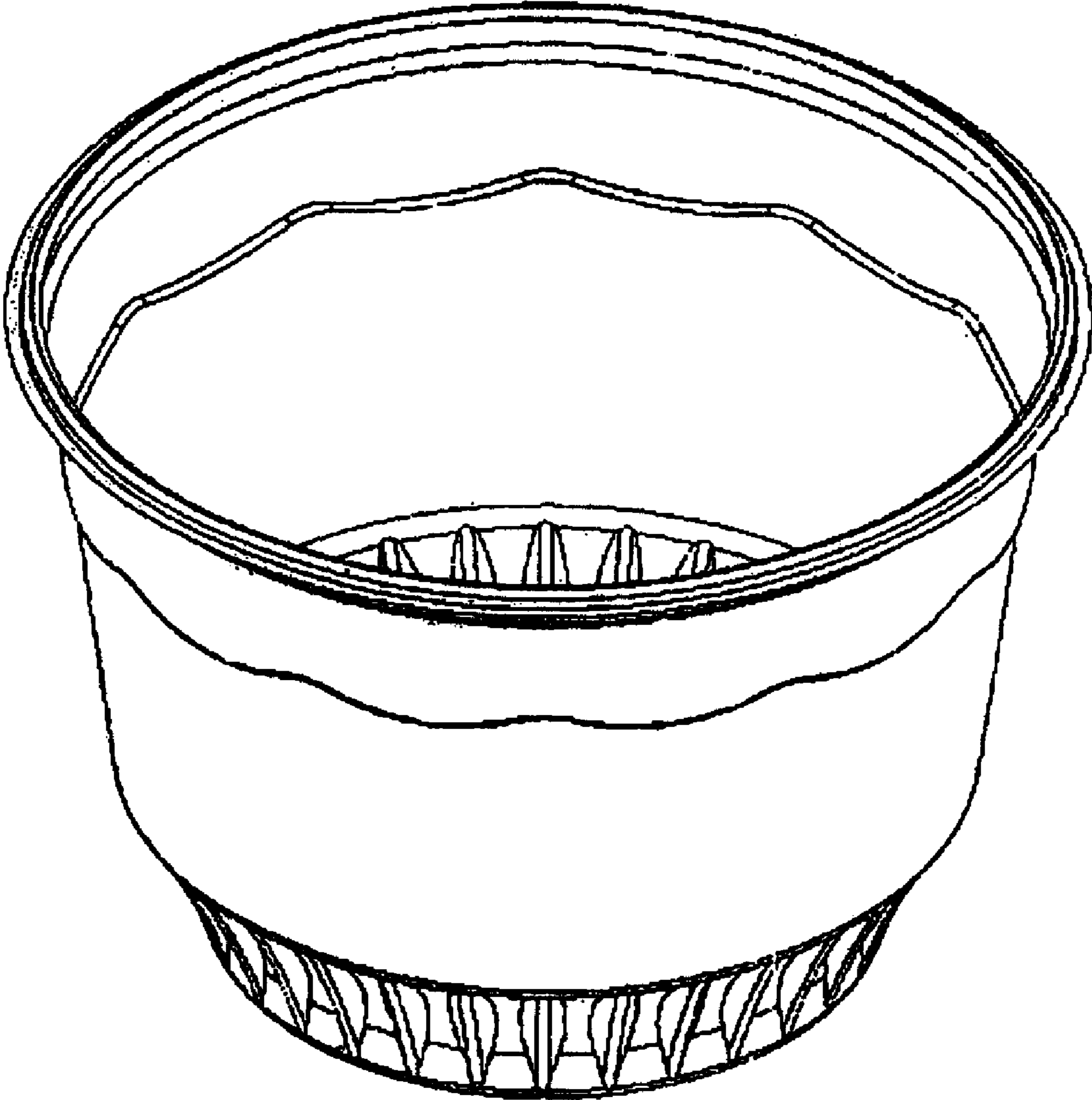


FIG. 1

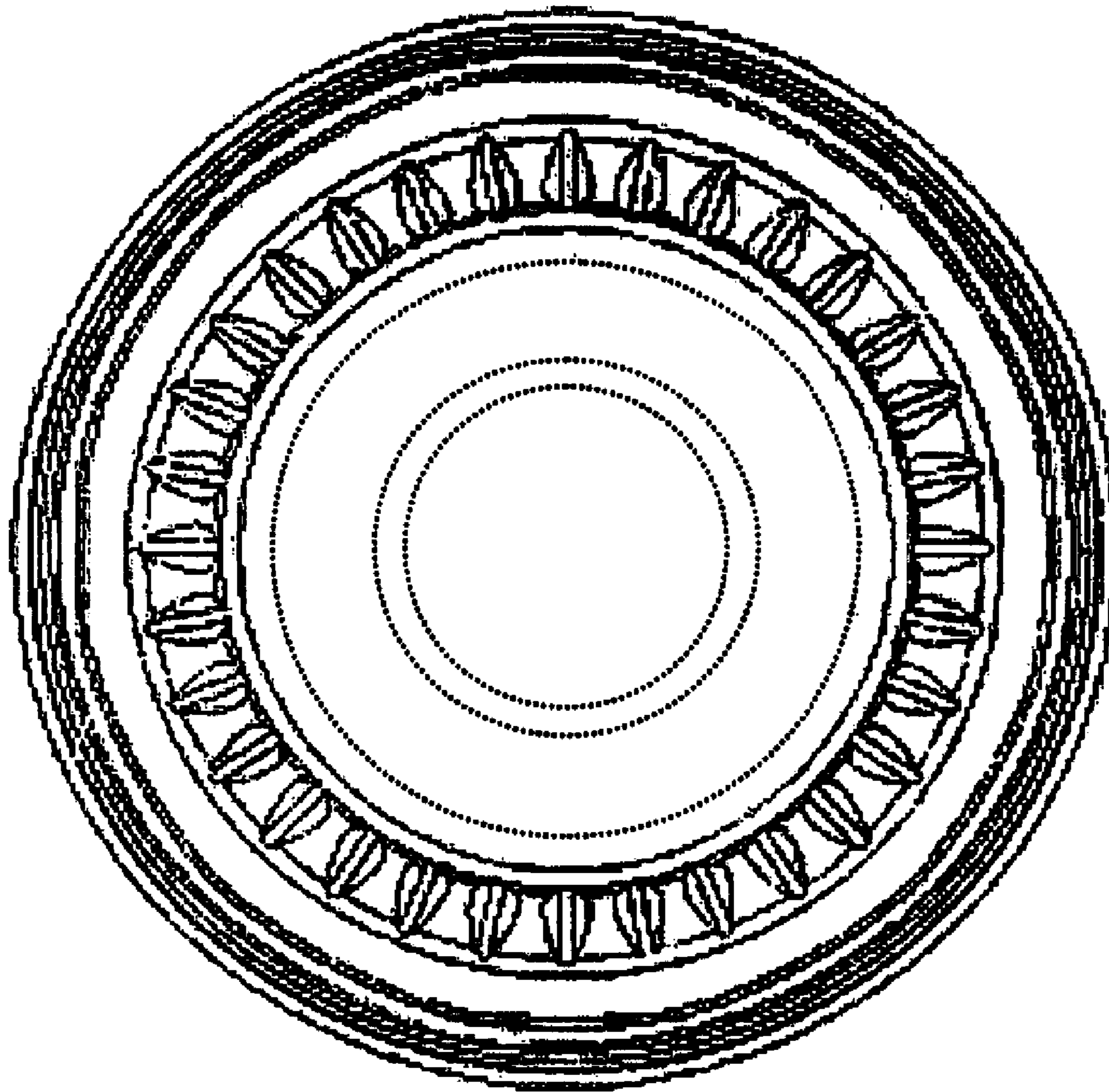


FIG. 2

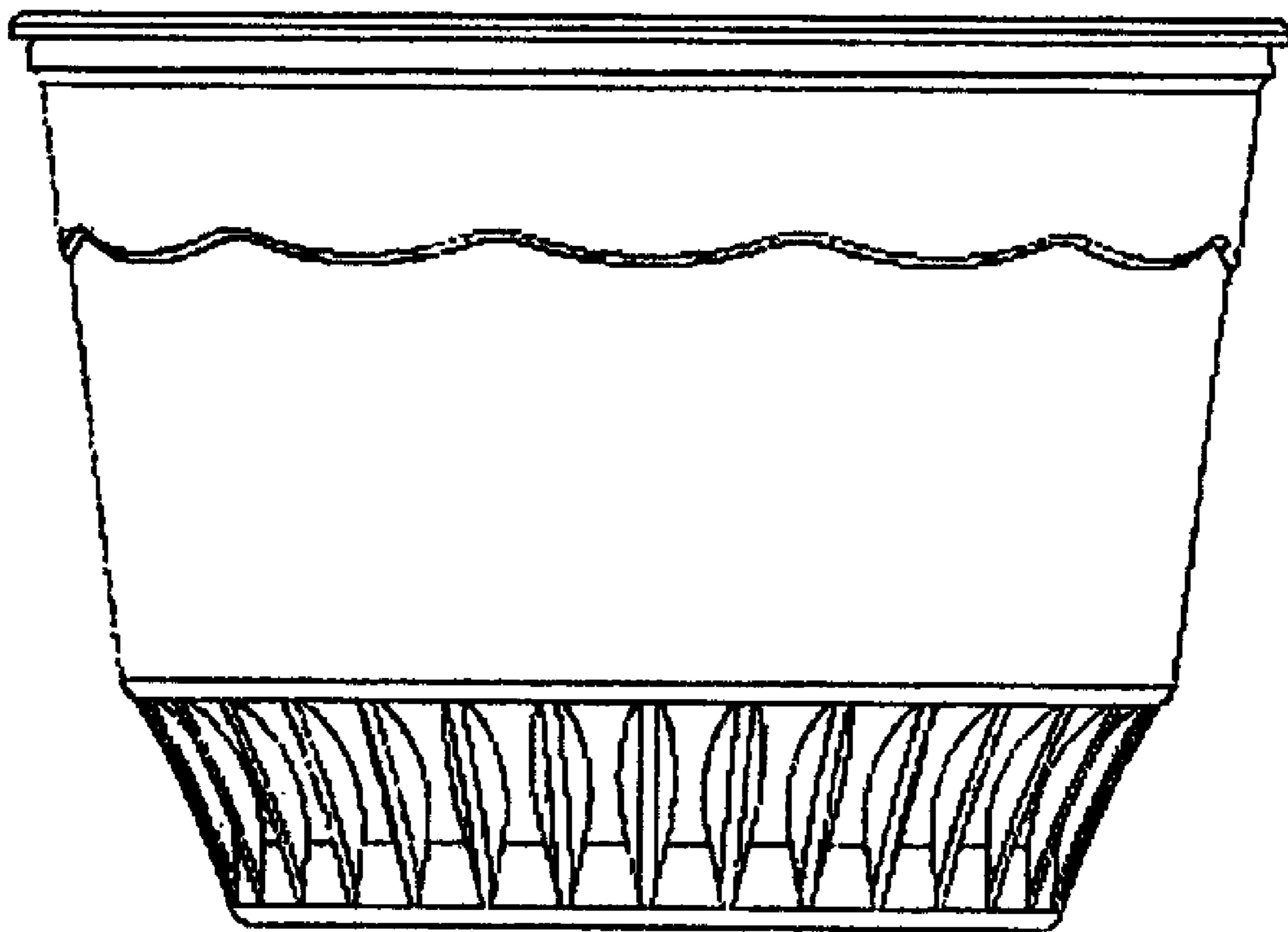


FIG. 3