

US00D541145S

(12) **United States Design Patent**
Copp

(10) **Patent No.:** **US D541,145 S**

(45) **Date of Patent:** **** Apr. 24, 2007**

(54) **REEL-LESS REELEX WIRE CONSUMER PACKAGE**

D396,632 S * 8/1998 Lee D9/415
D400,096 S * 10/1998 Lee D9/415
D406,753 S * 3/1999 Lee D9/415

(75) Inventor: **Timothy Copp**, Brookfield, CT (US)

* cited by examiner

(73) Assignee: **Windings, Inc.**, Patterson, NY (US)

Primary Examiner—Prabhakar Deshmukh

Assistant Examiner—Derrick Holland

(**) Term: **14 Years**

(74) *Attorney, Agent, or Firm*—Intellectual Property Law Firm of R. J. Lasker, Esq.

(21) Appl. No.: **29/216,688**

(22) Filed: **Nov. 8, 2004**

(57) **CLAIM**

(51) **LOC (8) Cl.** **09-03**

The ornamental design for a reel-less REELEX wire consumer package, as shown and described.

(52) **U.S. Cl.** **D9/415; D9/424**

(58) **Field of Classification Search** D9/415,
D9/414, 418, 457; 206/389-394, 397, 402,
206/403, 407, 471

DESCRIPTION

See application file for complete search history.

FIG. 1 is a perspective view of a reel-less REELEX wire consumer package, showing my new design, in an assembled position;

FIG. 2 is a top plan view thereof, with left and right components being mirror images of one another;

FIG. 3 is a front elevation view thereof, with the opposite side being a mirror image;

FIG. 4 is a side view thereof; and,

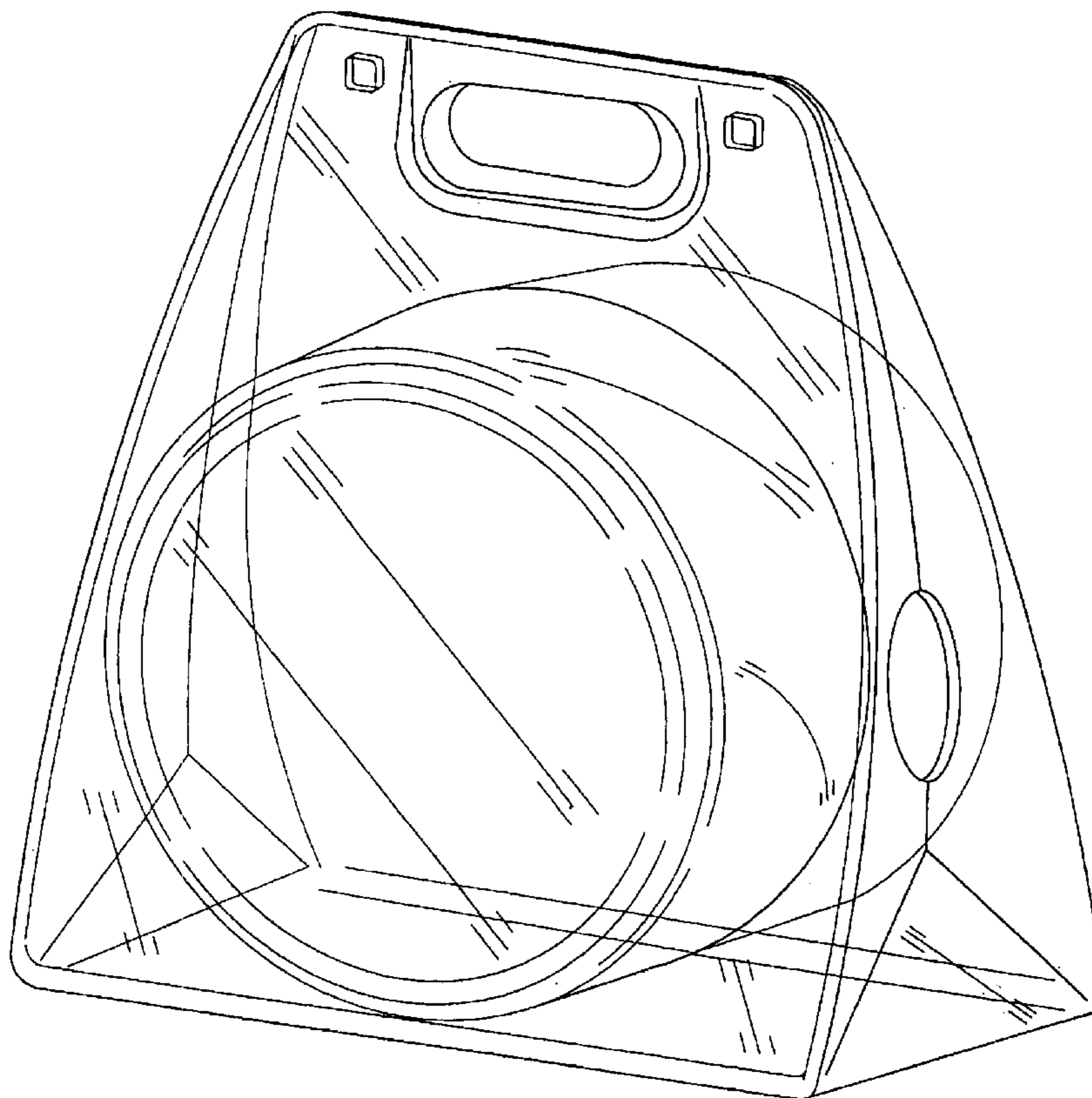
FIG. 5 is a perspective view thereof, prior to assembly.

(56) **References Cited**

U.S. PATENT DOCUMENTS

4,285,157 A * 8/1981 Lambert 446/76
D267,394 S * 12/1982 Liptak et al. D9/415
D285,176 S * 8/1986 Kodousek et al. D9/419
D341,777 S * 11/1993 Sheu D9/415
D348,392 S * 7/1994 Tannen D9/415

1 Claim, 4 Drawing Sheets



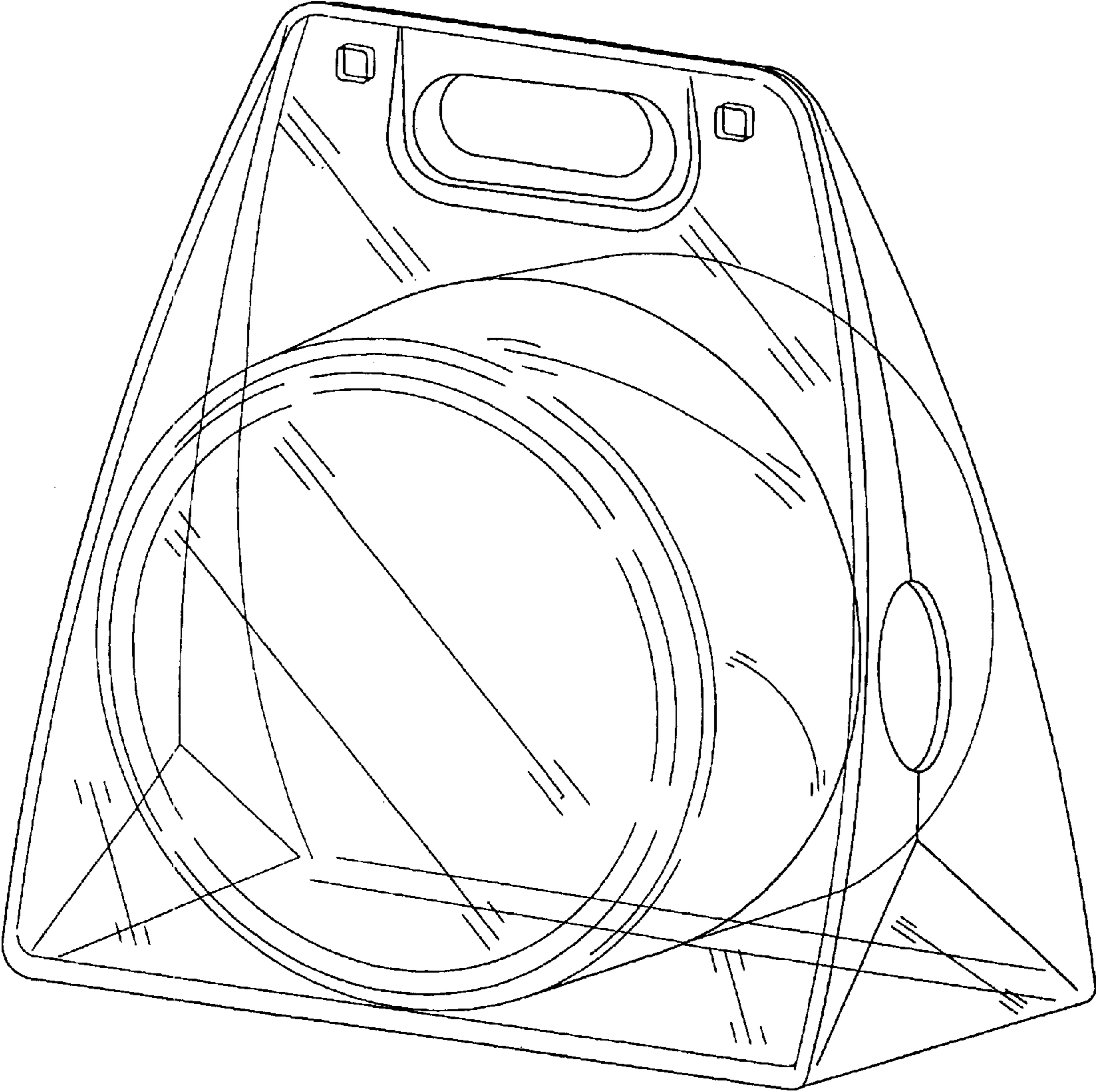


FIG. 1

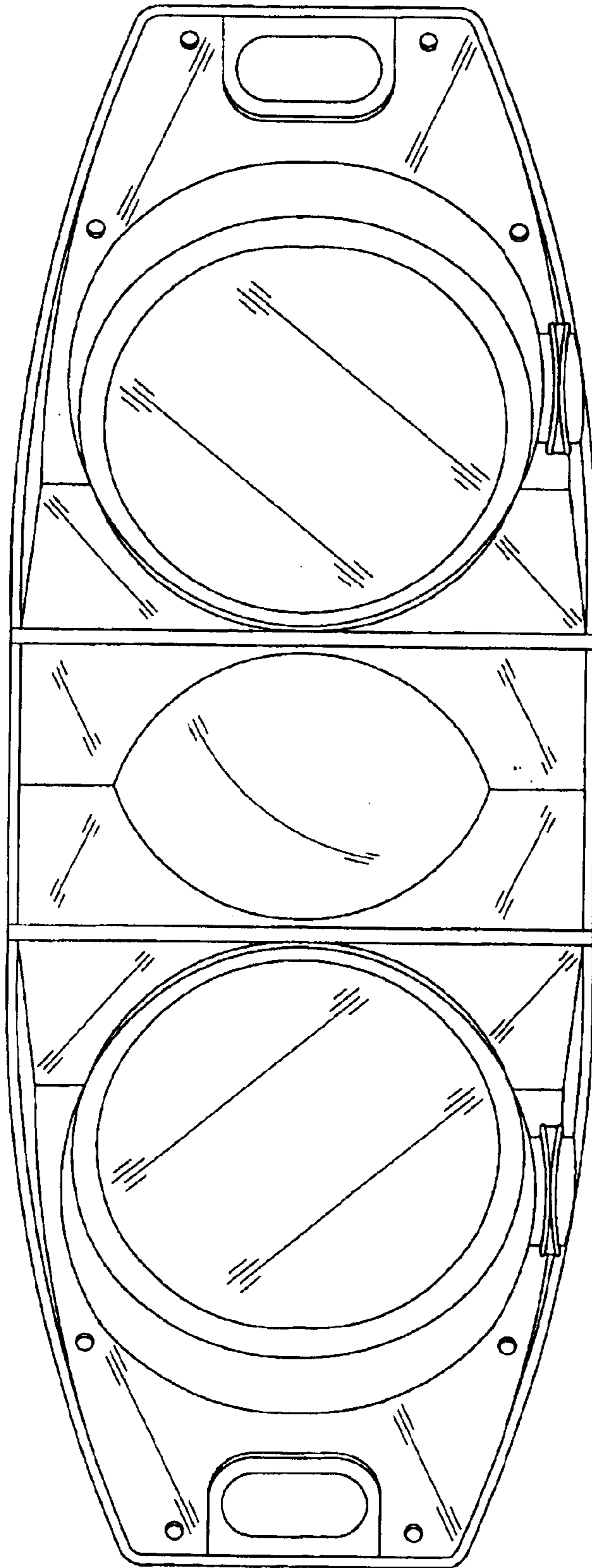


FIG. 2

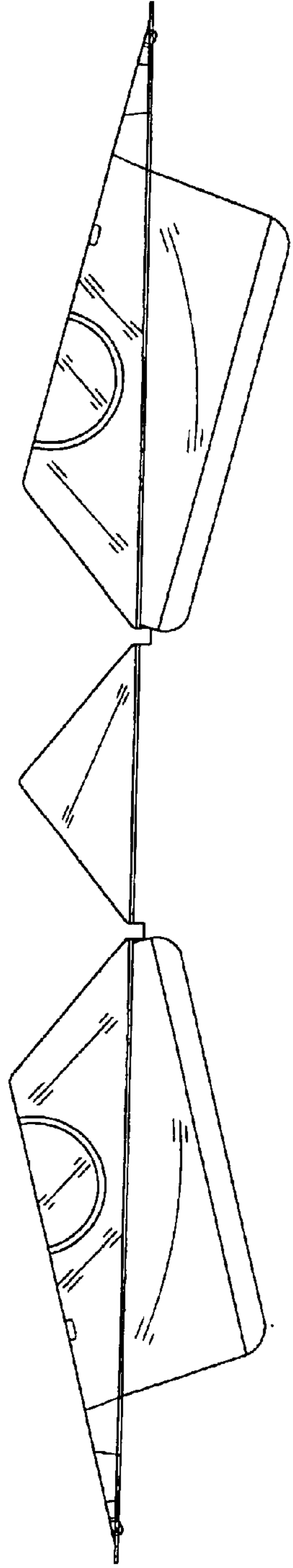


FIG. 3

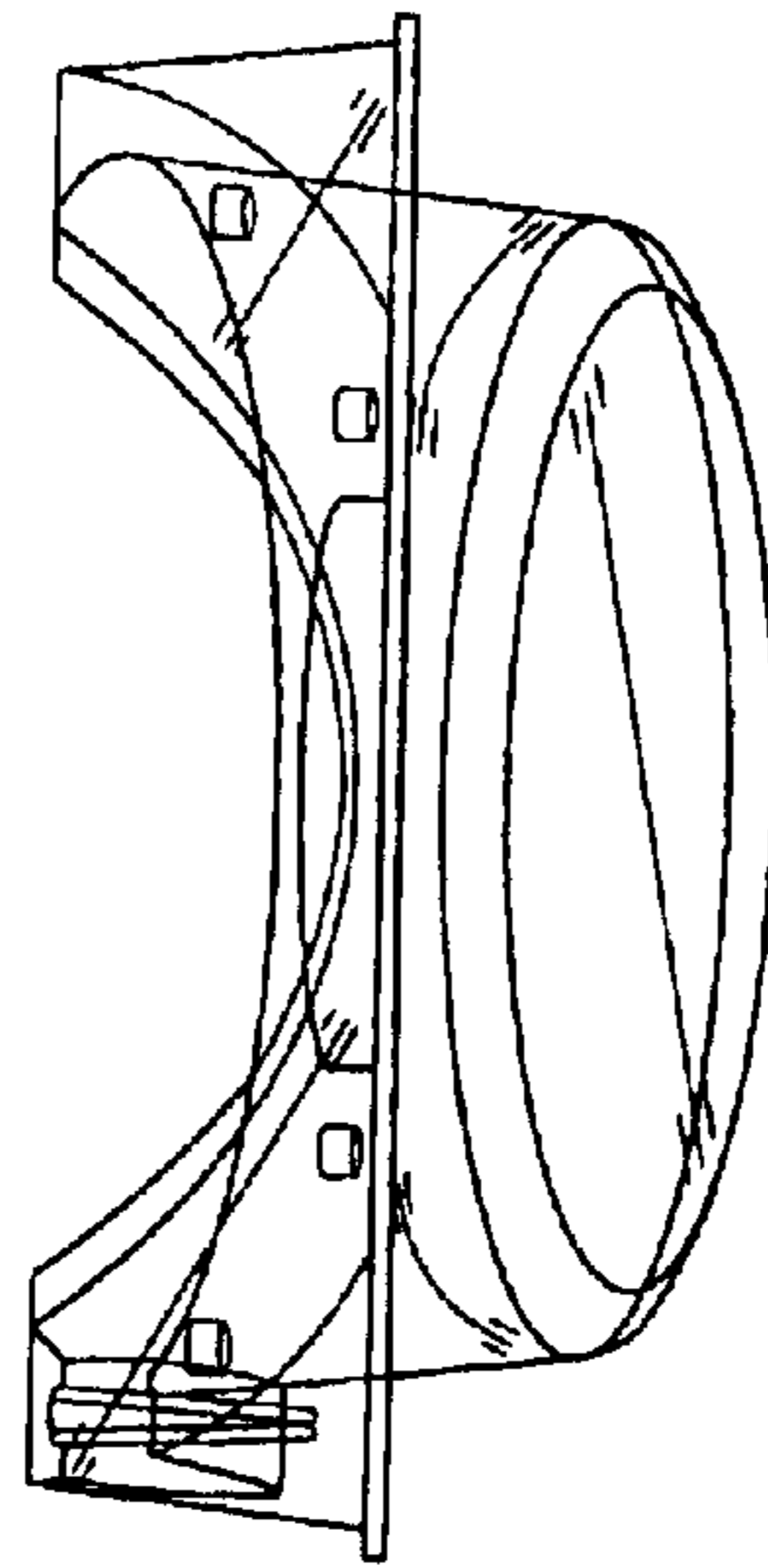


FIG. 4

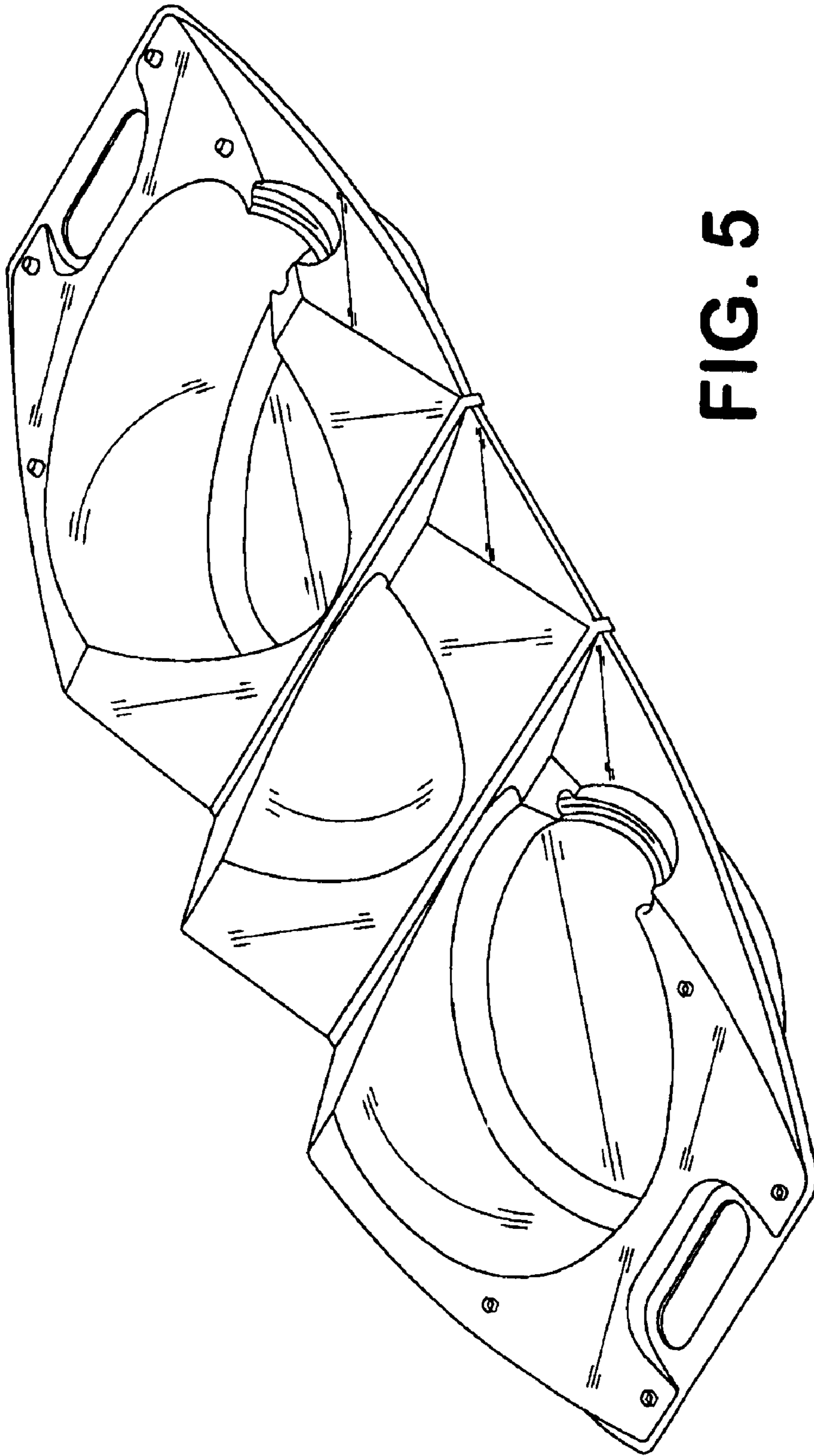


FIG. 5