



US00D541144S

(12) **United States Design Patent**
Frankum

(10) **Patent No.:** **US D541,144 S**

(45) **Date of Patent:** **** Apr. 24, 2007**

(54) **CLAMP FOR FLEXIBLE FOOD WRAPPERS AND PACKAGES**

2,509,726 A * 5/1950 Dauvergne 63/1.17
6,490,768 B1 * 12/2002 Goodall 24/334

(76) Inventor: **Sally May Frankum**, 3221 County Rd.
890, Alvin, TX (US) 77511

* cited by examiner

(**) Term: **14 Years**

Primary Examiner—Louis S. Zarfes

Assistant Examiner—John Windmuller

(74) *Attorney, Agent, or Firm*—Kenneth A. Roddy

(21) Appl. No.: **29/209,852**

(57) **CLAIM**

(22) Filed: **Jul. 22, 2004**

The ornamental design for a clamp for flexible food wrappers and packages, as shown and described.

(51) **LOC (8) Cl.** **08-08**

(52) **U.S. Cl.** **D8/395**

DESCRIPTION

(58) **Field of Classification Search** D8/356,
D8/371, 394–396, 499, 53, 100, 365; D12/51;
D19/65, 90; D28/39, 40, 42; 24/546, 563,
24/910, 327, 334, DIG. 8, DIG. 9, DIG. 13,
24/DIG. 28; 248/74.2, 300, 301, 316.7, 229.26
See application file for complete search history.

FIG. 1 is a perspective view of a clamp for flexible food wrappers and packages, showing my new design from the top, front and one side in a closed position;

FIG. 2 is a perspective view thereof, showing my new design from the bottom, rear and side opposite that shown in FIG. 1;

FIG. 3 is a side elevation view thereof;

FIG. 4 is a rear elevation view thereof; and,

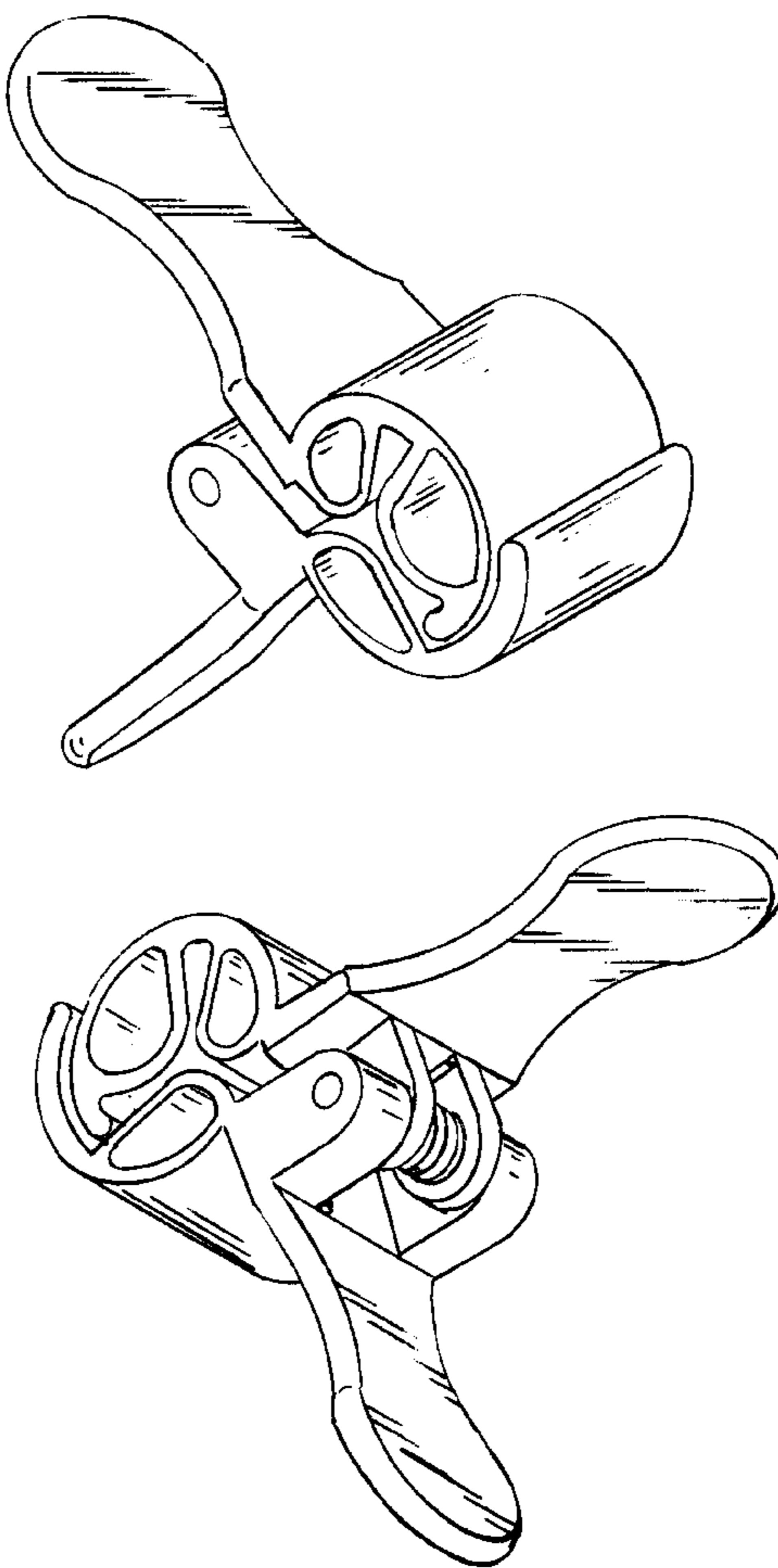
FIG. 5 is a side elevation view thereof, showing the clamp in an open position.

(56) **References Cited**

U.S. PATENT DOCUMENTS

942,641 A * 12/1909 Hesson 16/10
2,000,259 A * 5/1935 Smith 16/10
2,201,719 A * 5/1940 Eicher 132/277

1 Claim, 2 Drawing Sheets



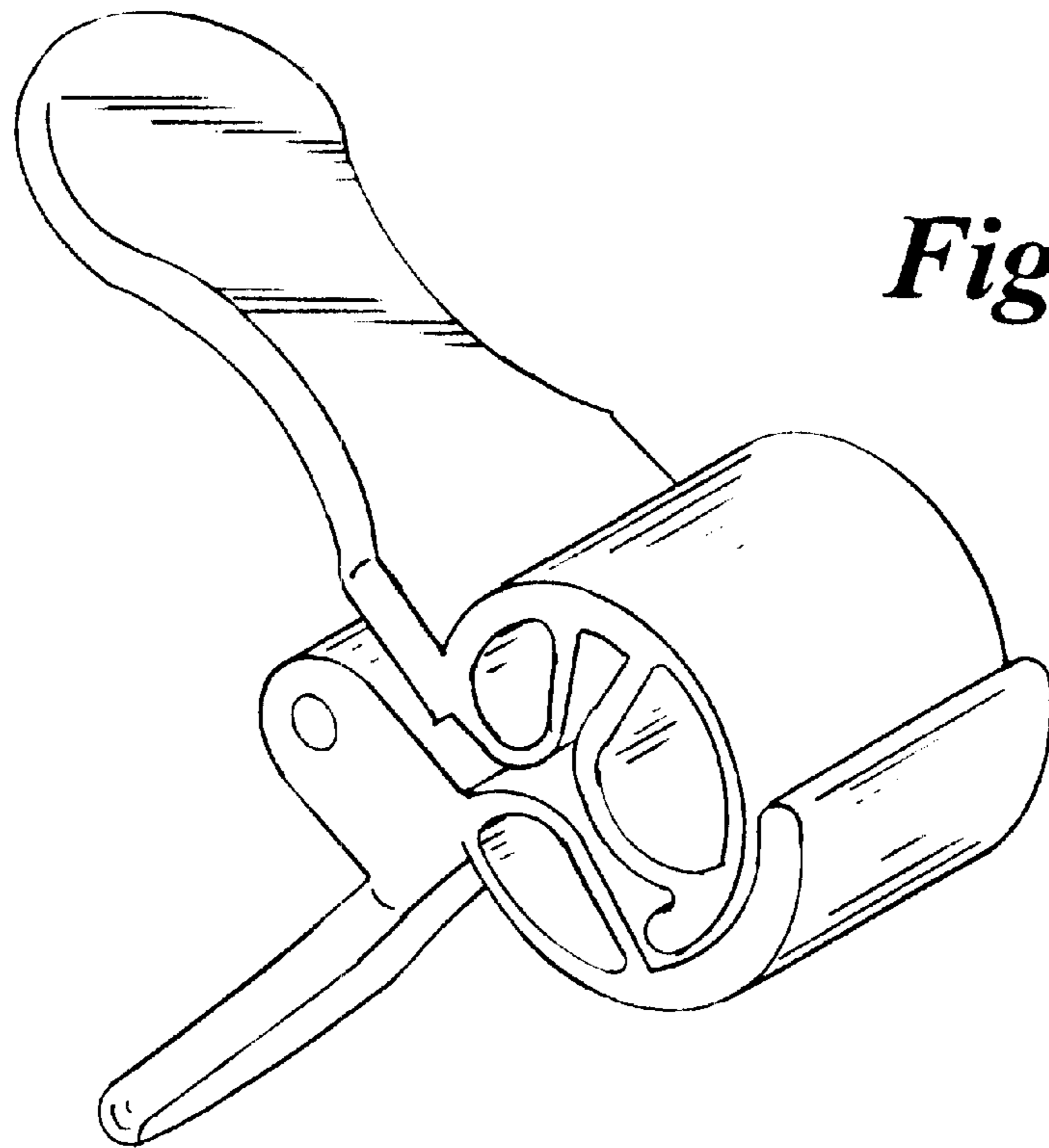


Fig. 1

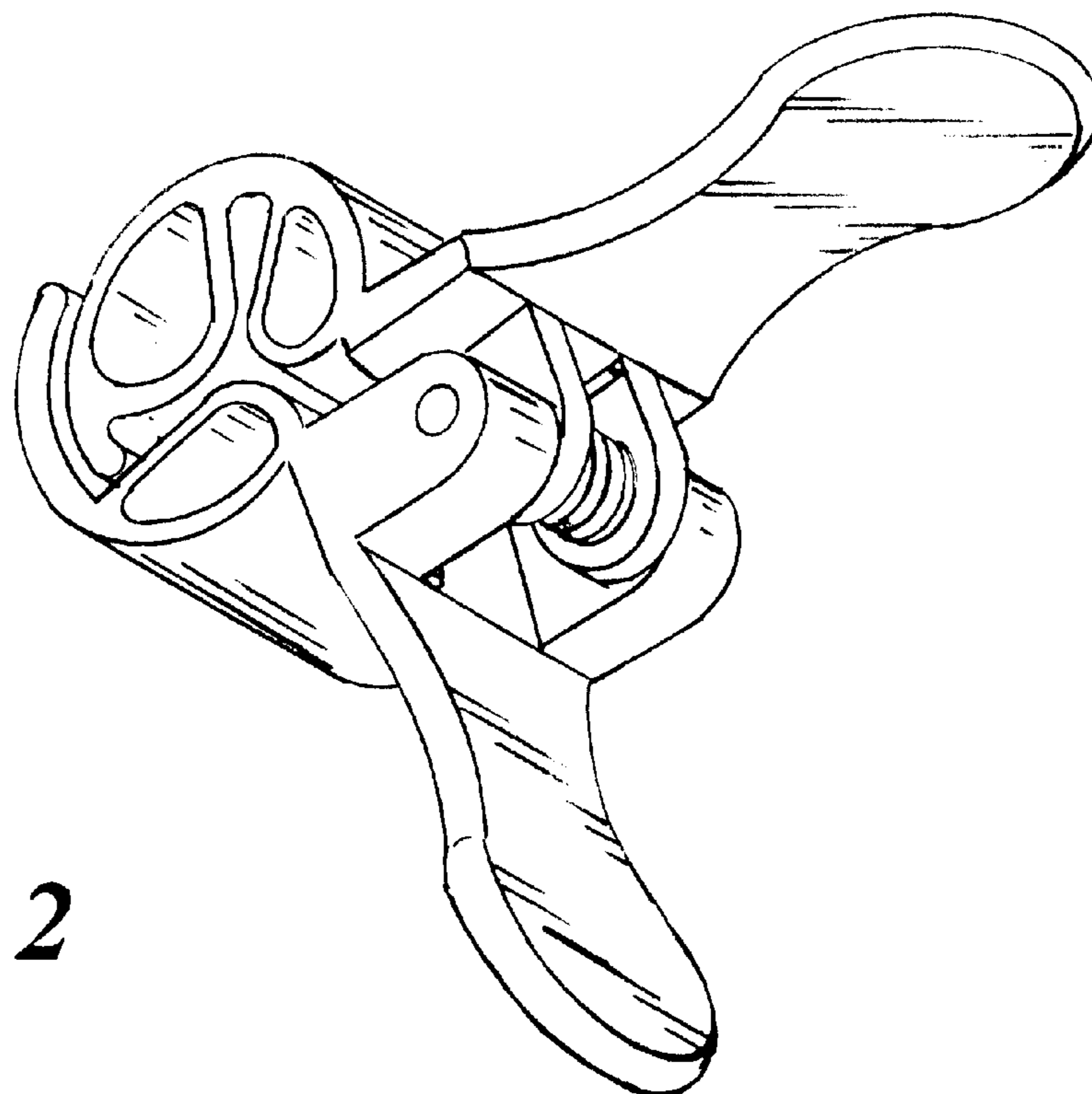


Fig. 2

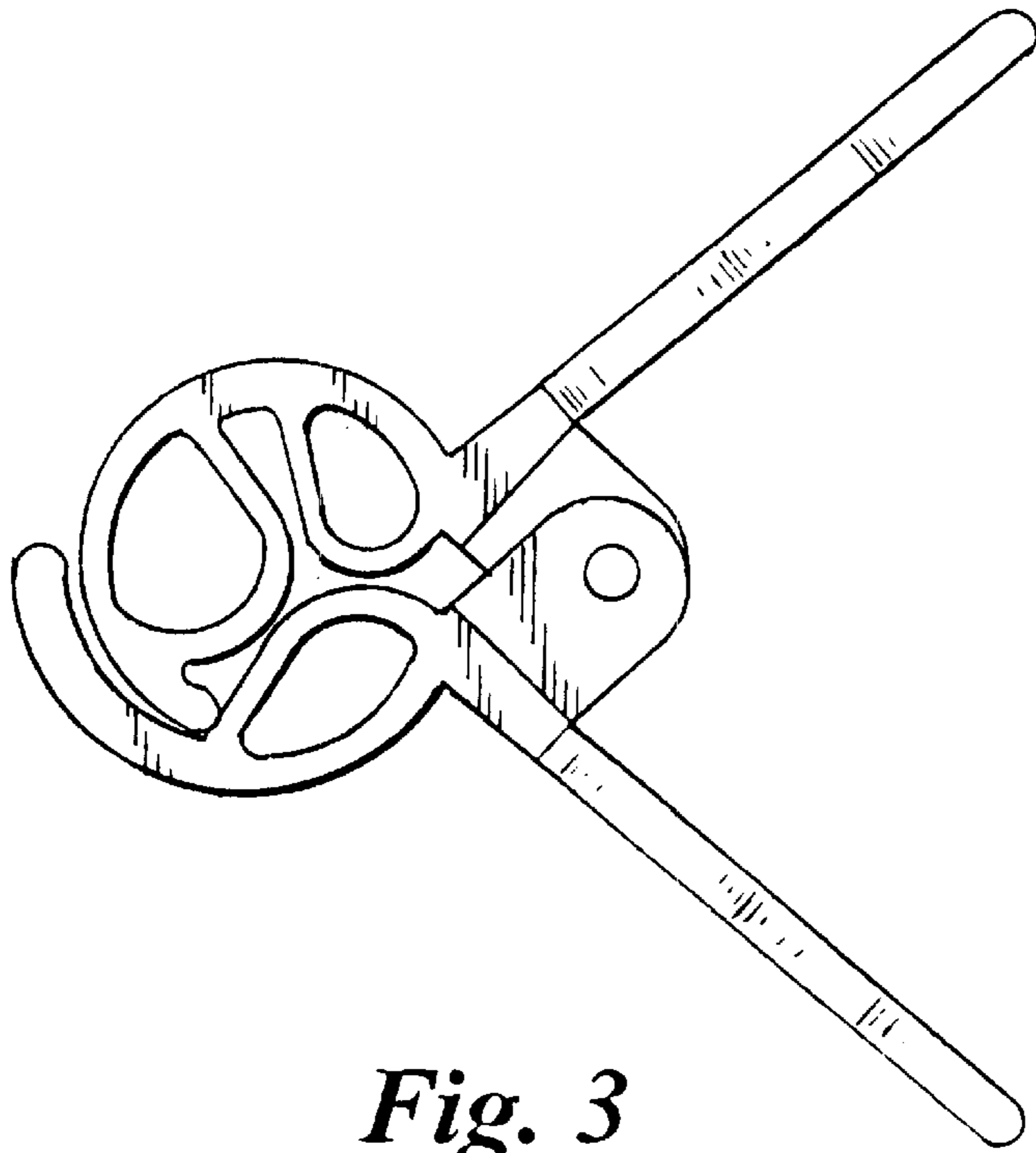


Fig. 3

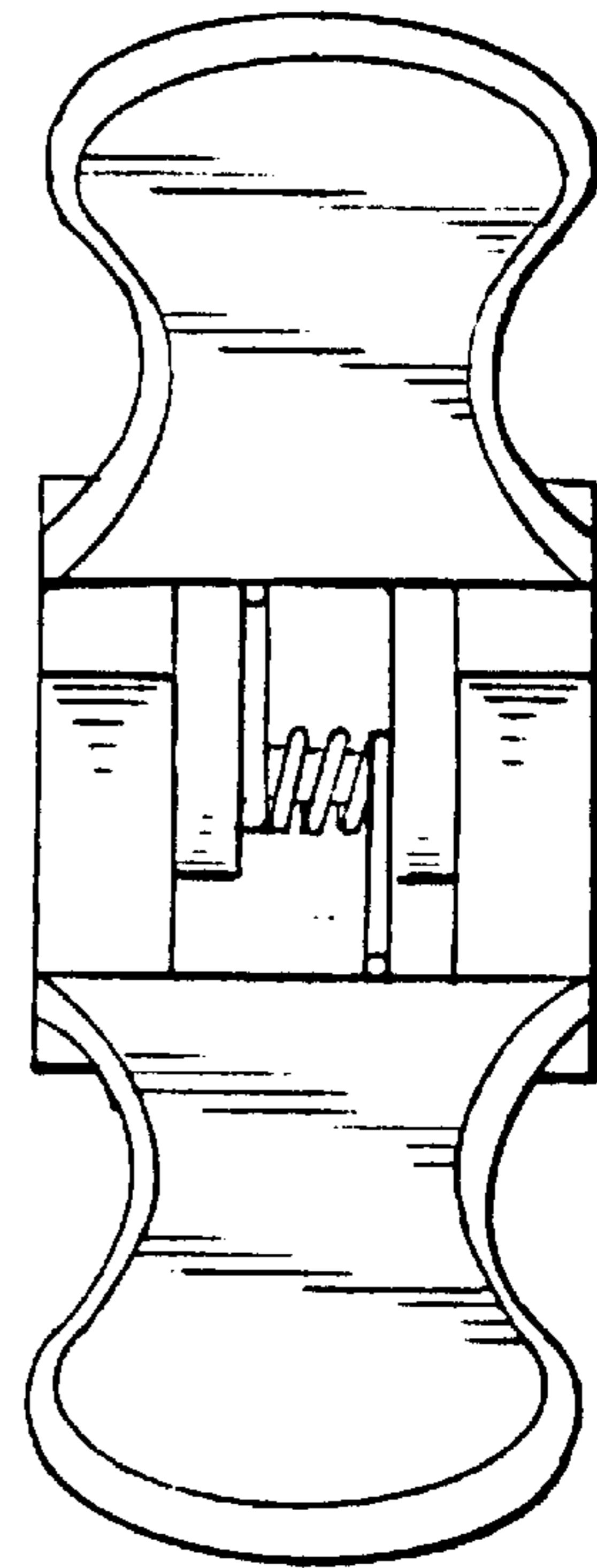


Fig. 4

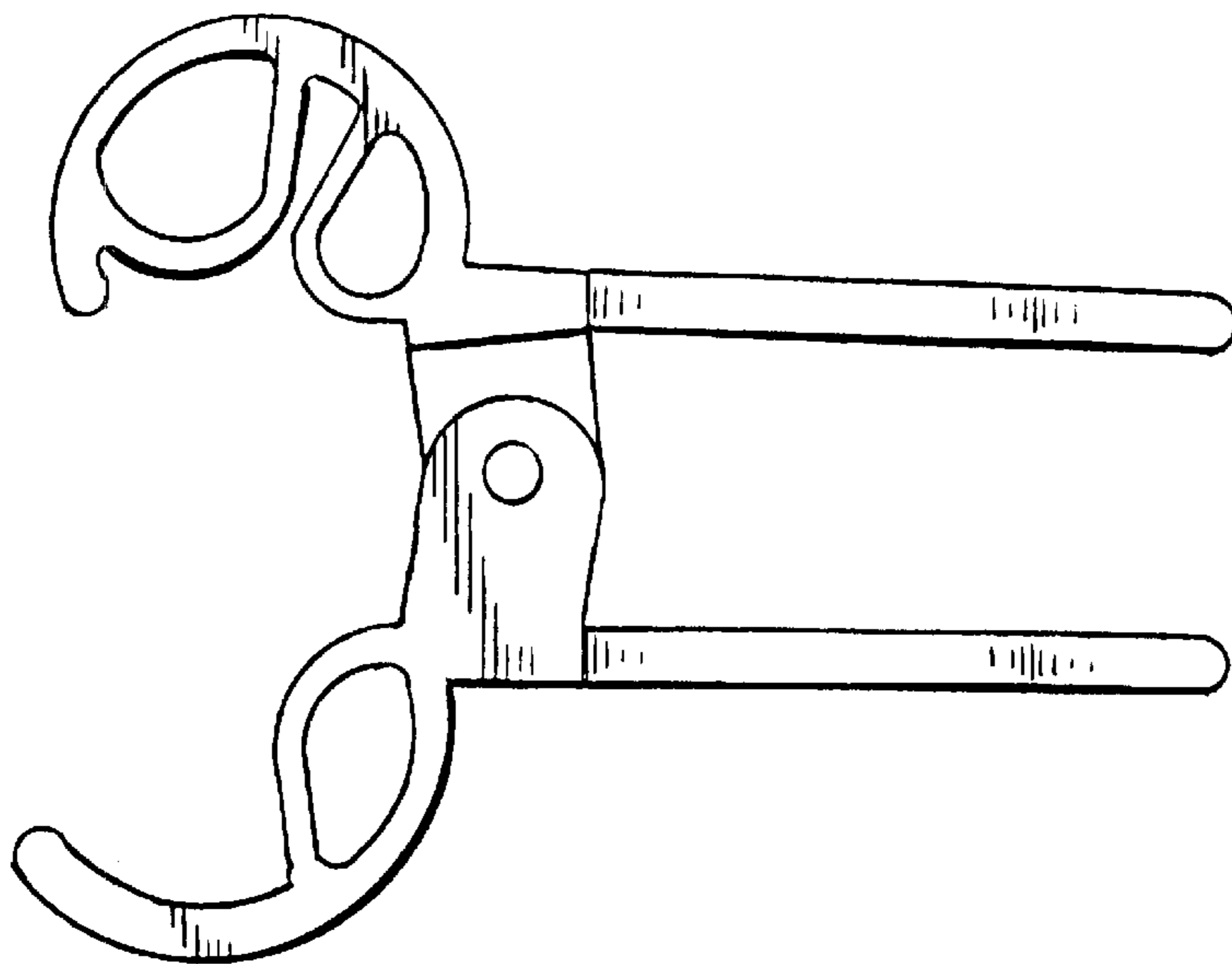


Fig. 5