



US00D541143S

(12) **United States Design Patent**
Ruddick

(10) **Patent No.:** **US D541,143 S**
(45) **Date of Patent:** **** Apr. 24, 2007**

(54) **PORTION OF A CONDUIT CLIP**

(75) Inventor: **Paul David Ruddick**, Tyne & Wear
(GB)

(73) Assignee: **D-Line (Europe) Limited**, Newcastle
Upon Tyne (GB)

(**) Term: **14 Years**

(21) Appl. No.: **29/203,766**

(22) Filed: **Apr. 20, 2004**

(30) **Foreign Application Priority Data**

Nov. 27, 2003 (EM) 000109673

(51) **LOC (8) Cl.** **13-03**

(52) **U.S. Cl.** **D8/395; D13/155**

(58) **Field of Classification Search** D8/356,
D8/371, 394-396; D13/139.2, 154-156,
D13/173, 184; D25/119, 124; D19/65; 24/22,
24/67 R, 20 S, 115 R, 546, 563, 910, 343,
24/67.9; 248/74.2, 215, 227.1, 49, 300, 301,
248/316.7, 51, 489

See application file for complete search history.

(56) **References Cited**

U.S. PATENT DOCUMENTS

288,802	A	*	11/1883	Bramwell	2/109
D235,127	S	*	5/1975	Grant	D8/373
4,314,433	A	*	2/1982	Hulcombe	52/521
4,530,865	A	*	7/1985	Sprenger	428/35.7
5,683,117	A	*	11/1997	Corbett et al.	285/24
6,385,939	B1	*	5/2002	Stout	52/718.01
D485,313	S	*	1/2004	Healy	D20/43
D504,062	S	*	4/2005	Gerrits	D8/394

FOREIGN PATENT DOCUMENTS

EP	000029814-001	8/2003
EP	000029814-002	8/2003
EP	000109665-001	3/2004
GB	3010551	2/2003
GB	3010552	2/2003

* cited by examiner

Primary Examiner—Louis S. Zarfaz

Assistant Examiner—John Windmuller

(74) *Attorney, Agent, or Firm*—Buchanan Ingersoll &
Rooney PC

(57) **CLAIM**

The ornamental design for a portion of a conduit clip, as shown and described.

DESCRIPTION

FIG. 1 is a front, top perspective view of a portion of a conduit clip showing my new design.

FIG. 2 is a left side elevational view thereof;

FIG. 3 is a top plan view thereof.

FIG. 4 is a front elevational view thereof; and,

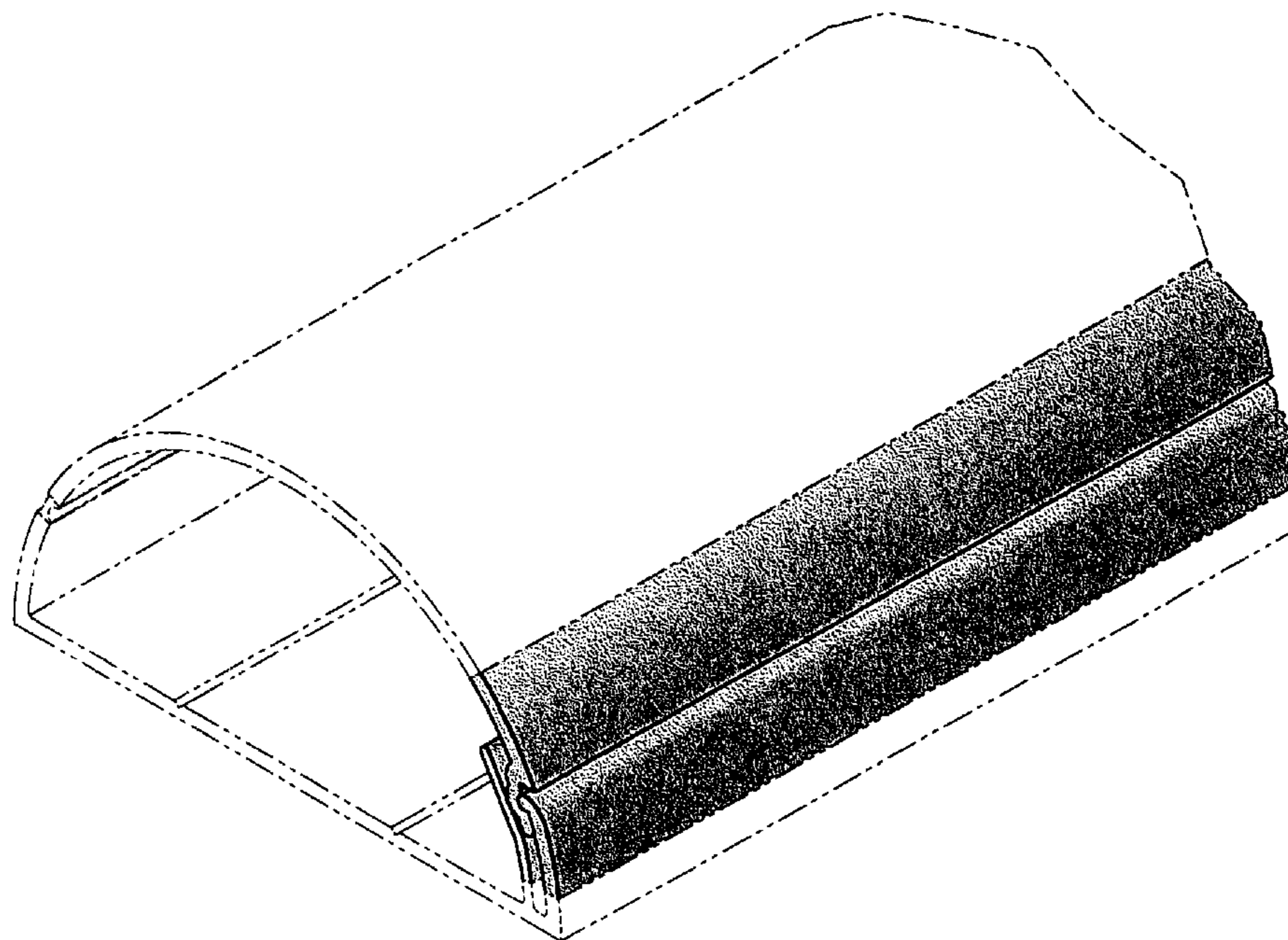
FIG. 5 is a cross-sectional view taken generally along the line 5—5 shown in FIG. 2.

The broken line showing of the remainder of the conduit is for illustrative purposes only and forms no part of the claimed design.

The broken line(s) which define the bounds of the claimed design form no part thereof.

The jagged broken line on the right side of the conduit indicates indeterminate length.

1 Claim, 3 Drawing Sheets



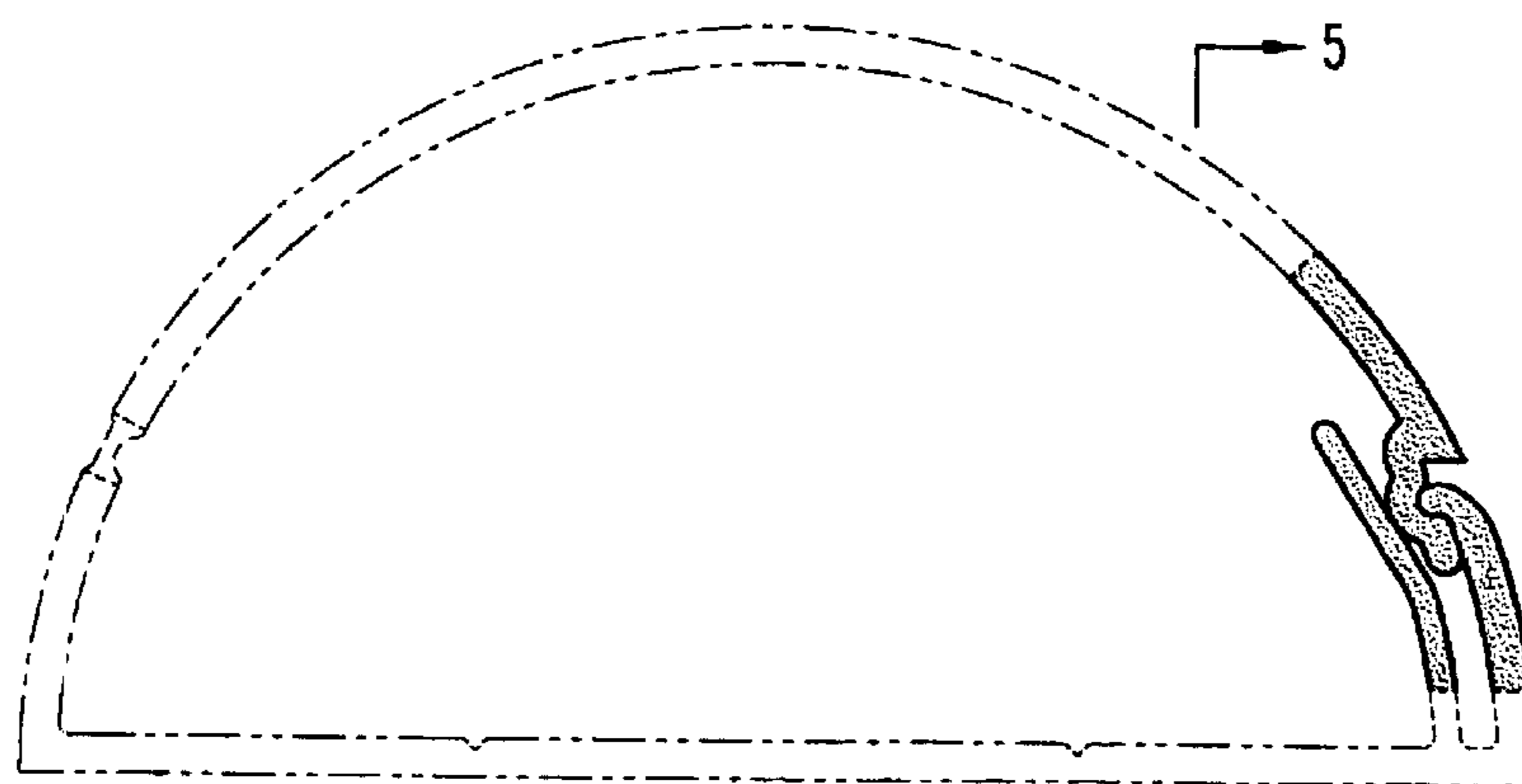
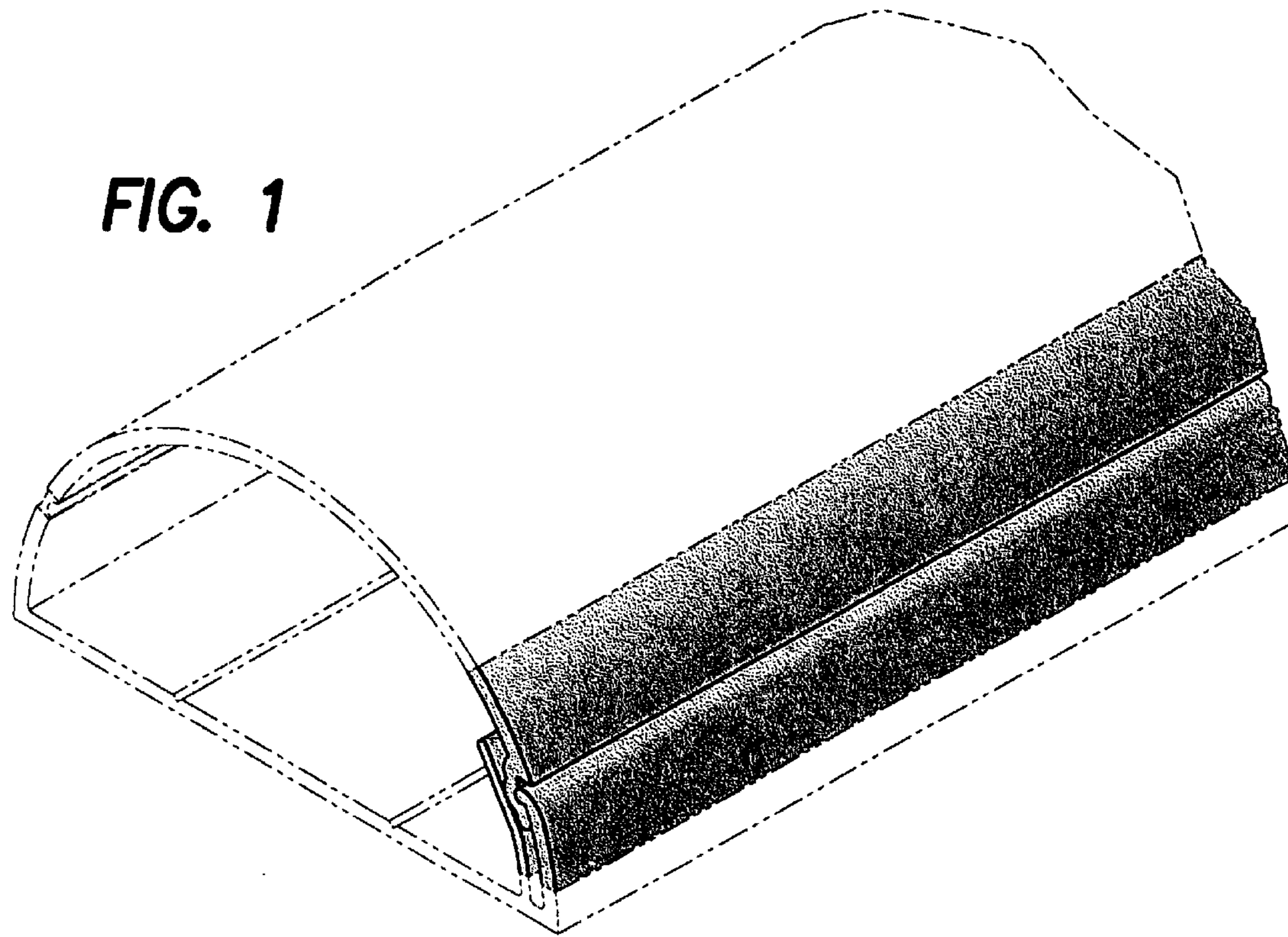


FIG. 2

5

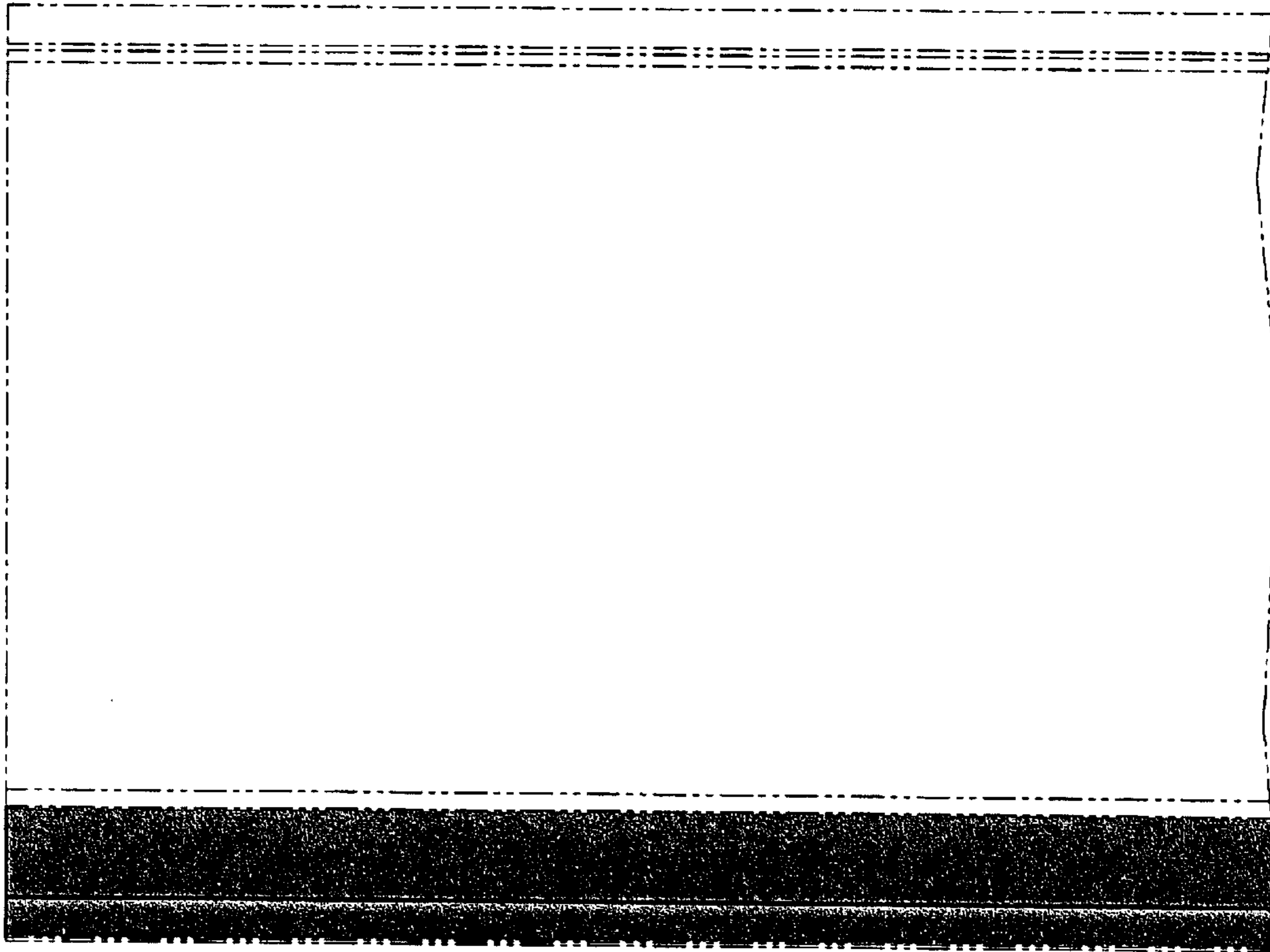


FIG. 3

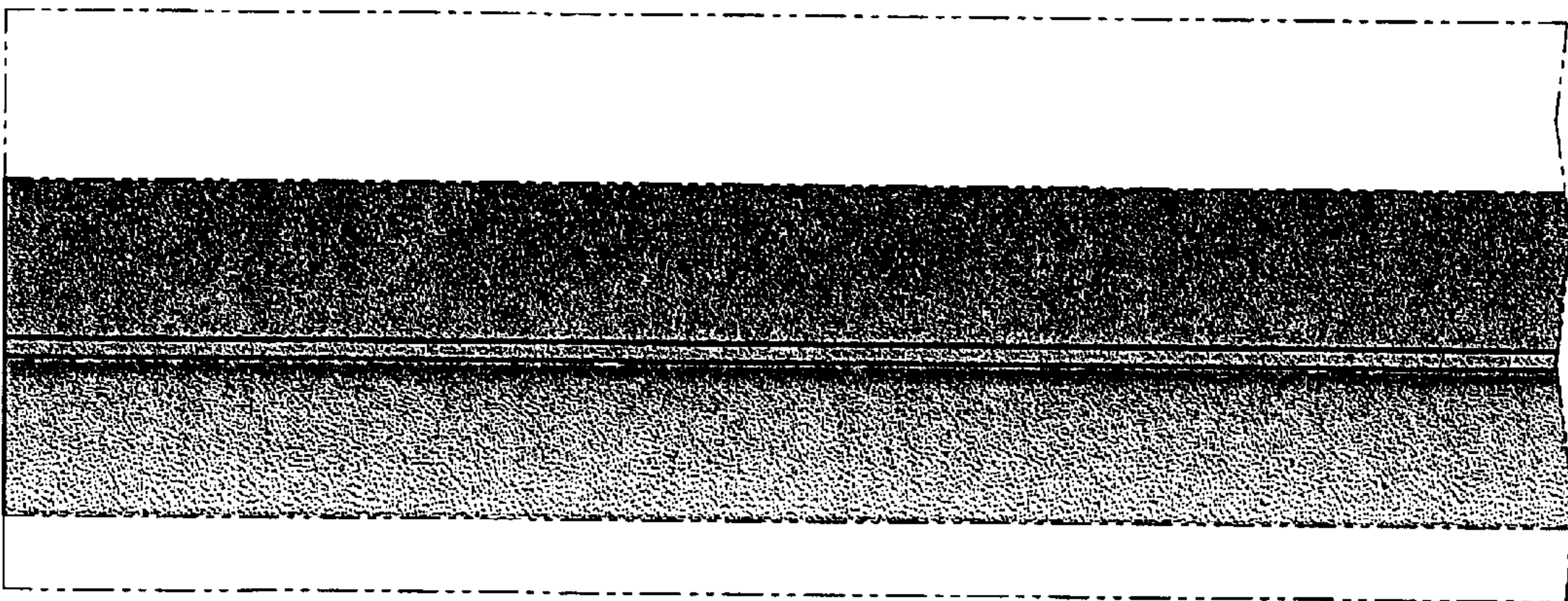


FIG. 4

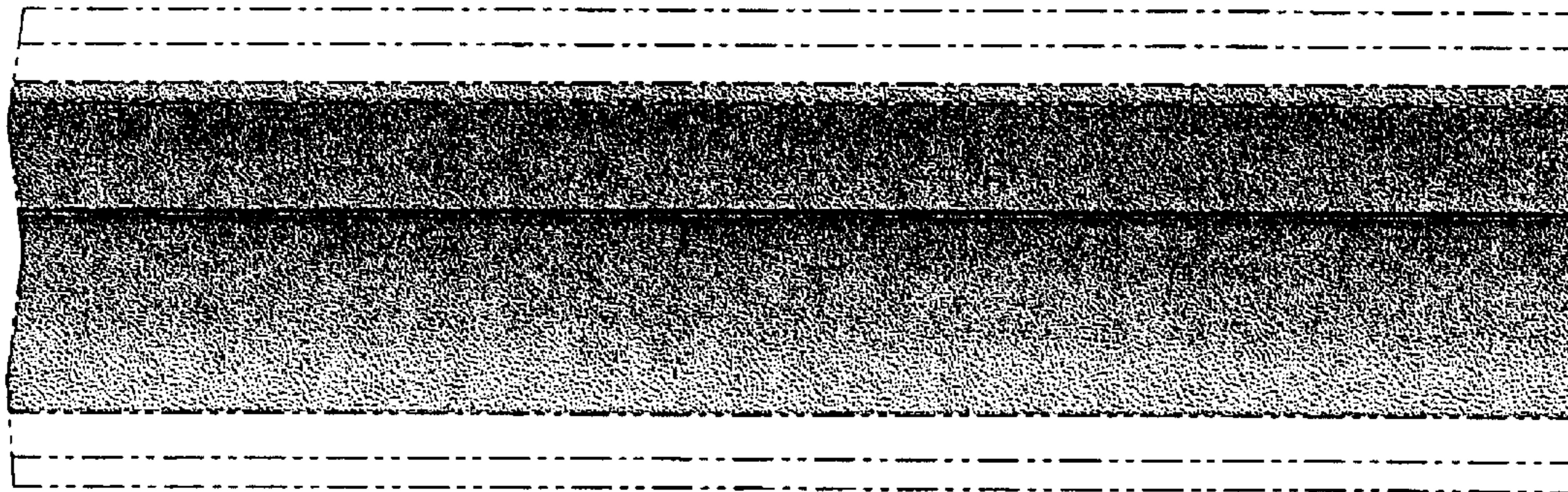


FIG. 5