

US00D541141S

(12) **United States Design Patent**
Chou

(10) **Patent No.:** **US D541,141 S**

(45) **Date of Patent:** **** Apr. 24, 2007**

(54) **COMPACT CORD LOCK**

(76) **Inventor:** **Tser-Wen Chou**, 19464 Via Del caballo yorba, Linda, CA (US) 92886

(**) **Term:** **14 Years**

(21) **Appl. No.:** **29/214,918**

(22) **Filed:** **Oct. 13, 2004**

(51) **LOC (8) Cl.** **08-08**

(52) **U.S. Cl.** **D8/383**

(58) **Field of Classification Search** D8/356,
D8/371, 394-396; 248/74.2, 215, 227.1,
248/49, 300, 301, 316.7, 51, 489; 24/22,
24/67 R, 20 S, 115 R, 546, 563, 343, 67.9,
24/136 R, 265 CD, 115 G, 115 H; D19/65
See application file for complete search history.

(56) **References Cited**

U.S. PATENT DOCUMENTS

- D113,898 S * 3/1939 Nisensin D8/394
- D257,554 S * 11/1980 Haft D8/396
- D319,571 S * 9/1991 Bennett et al. D8/356
- D340,226 S * 10/1993 Sachs D13/154

- 5,836,060 A * 11/1998 Profit 24/698.2
- 6,256,844 B1 * 7/2001 Wheatley 24/265 CD
- 6,618,912 B1 * 9/2003 Chang 24/498
- D481,620 S * 11/2003 Yoshiguchi D8/383

* cited by examiner

Primary Examiner—Louis S. Zarfaz

Assistant Examiner—John Windmuller

(74) *Attorney, Agent, or Firm*—Troxell Law Office PLLC

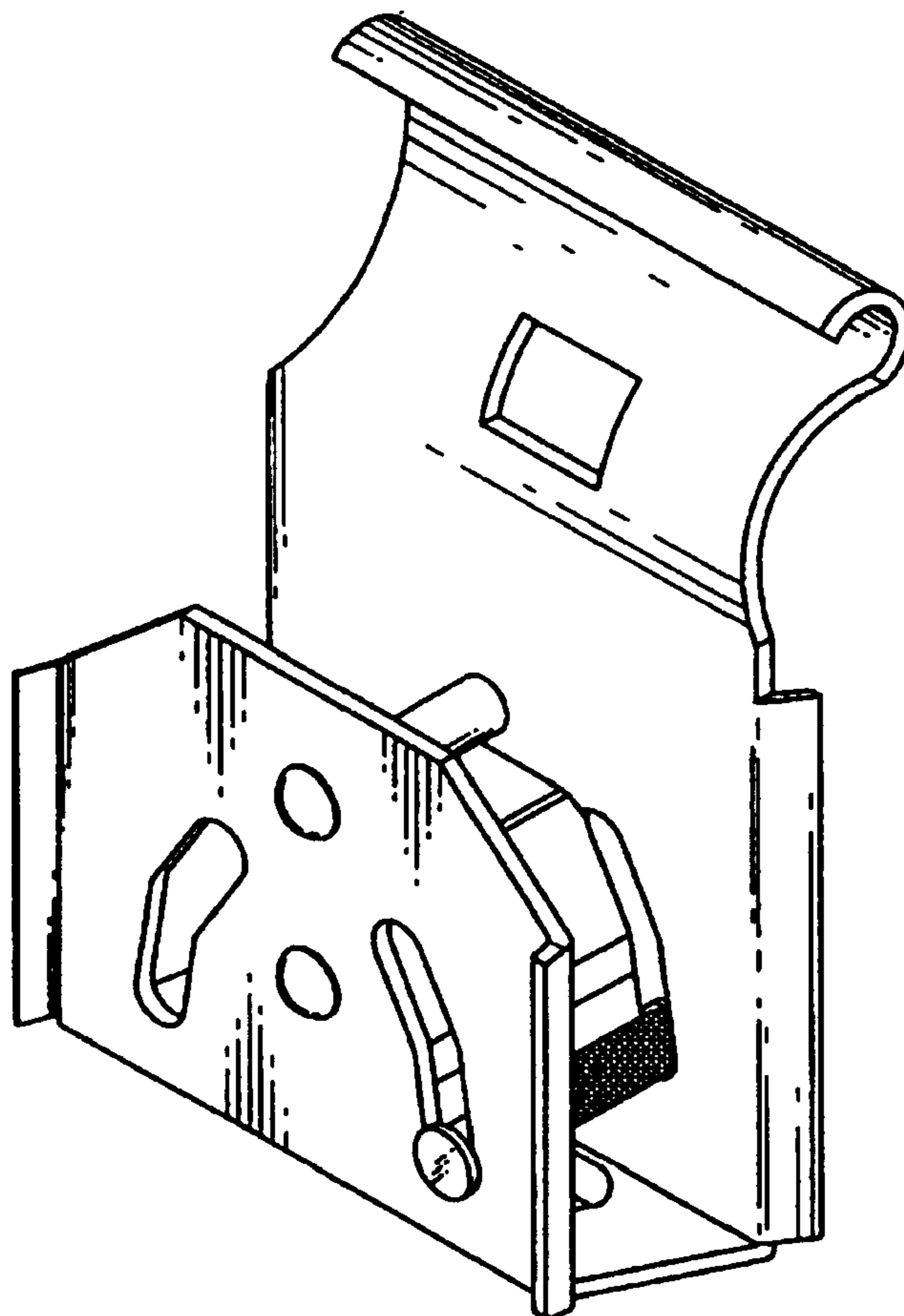
(57) **CLAIM**

The ornamental design for “compact cord lock,” as shown and described.

DESCRIPTION

FIG. 1 is a perspective view of compact cord lock showing my new design;
 FIG. 2 is a right side elevational view thereof;
 FIG. 3 is a top plan view thereof;
 FIG. 4 is a front elevational view thereof;
 FIG. 5 is a bottom plan view thereof. ;
 FIG. 6 is a left side elevational view thereof; and,
 FIG. 7 is a rear elevational view thereof.

1 Claim, 4 Drawing Sheets



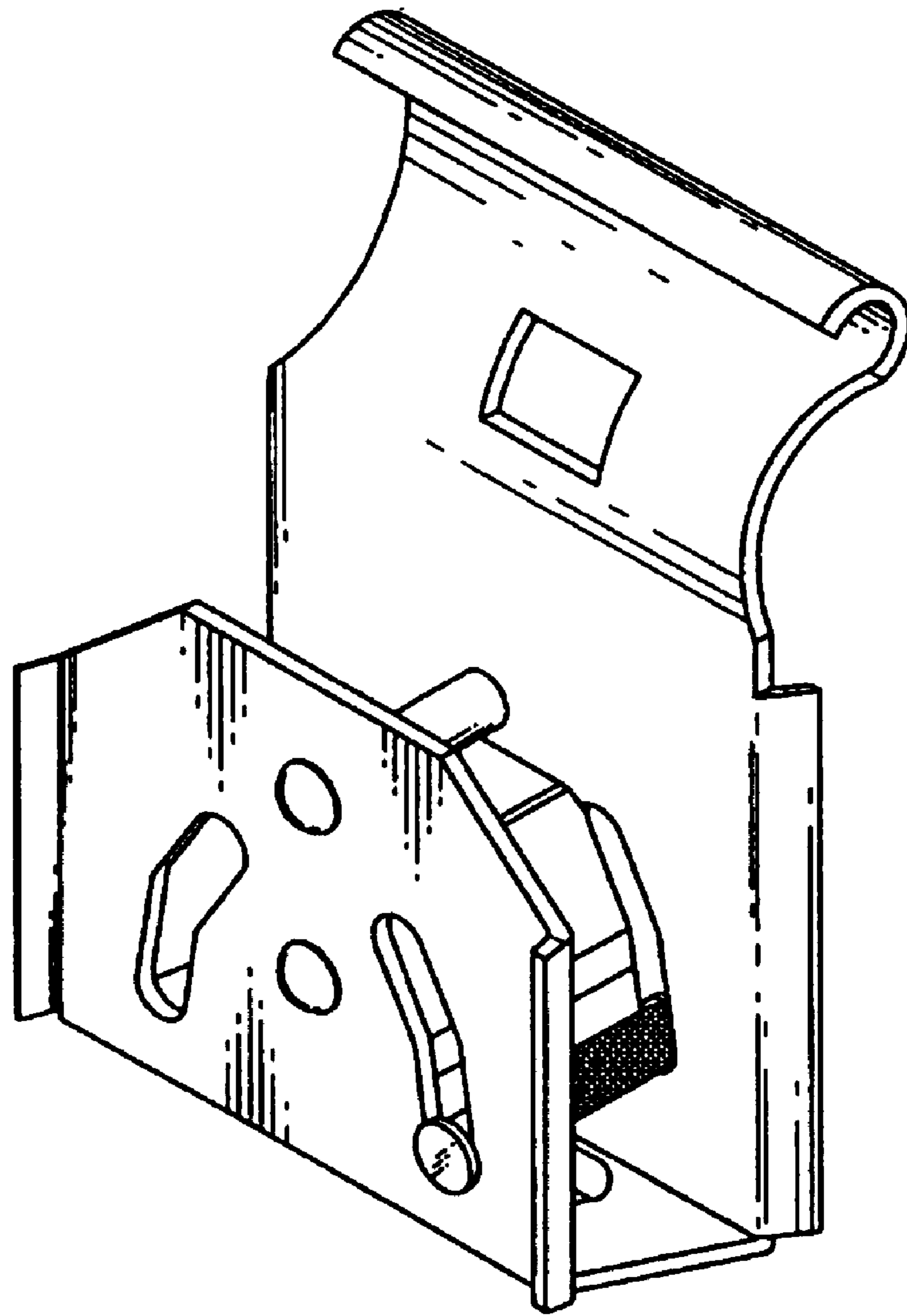


Fig. 1

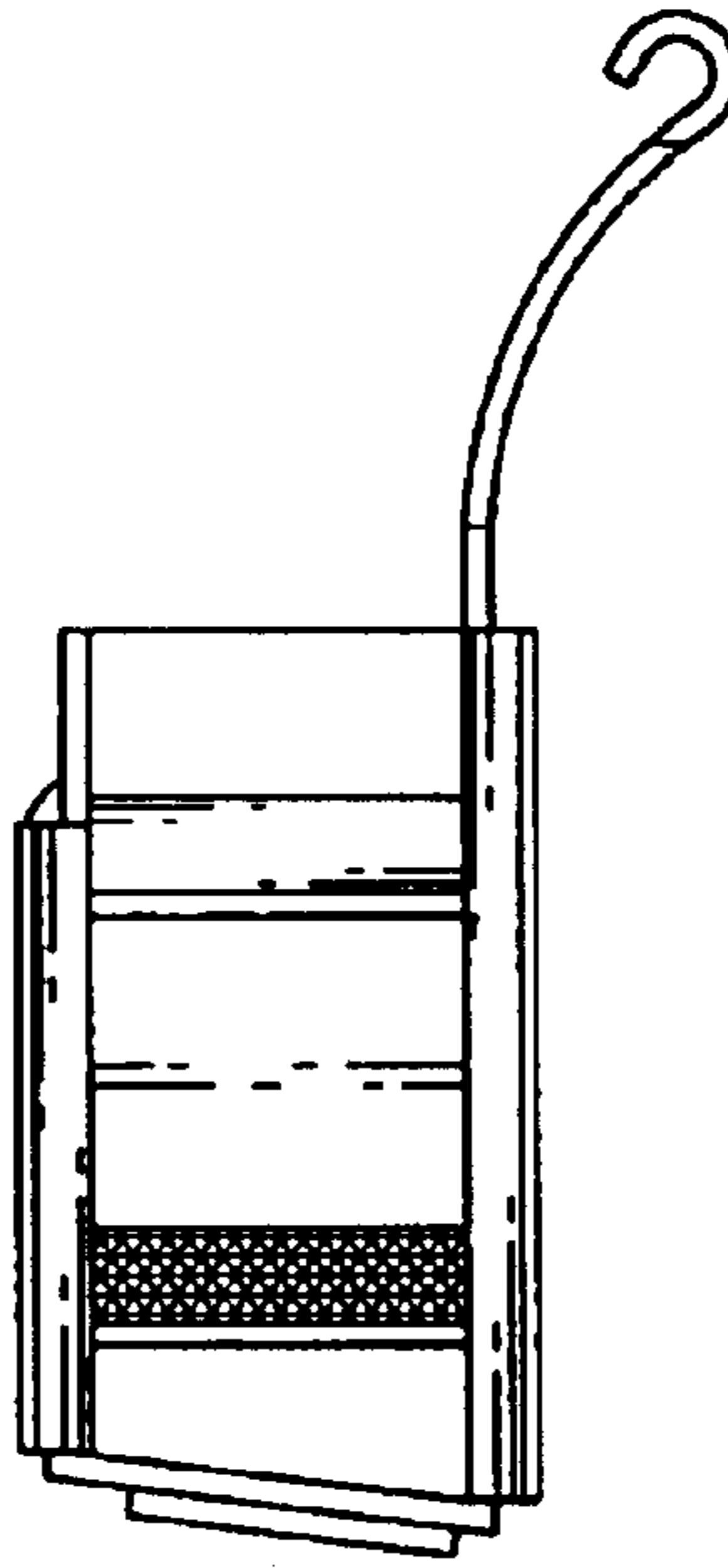


Fig. 2

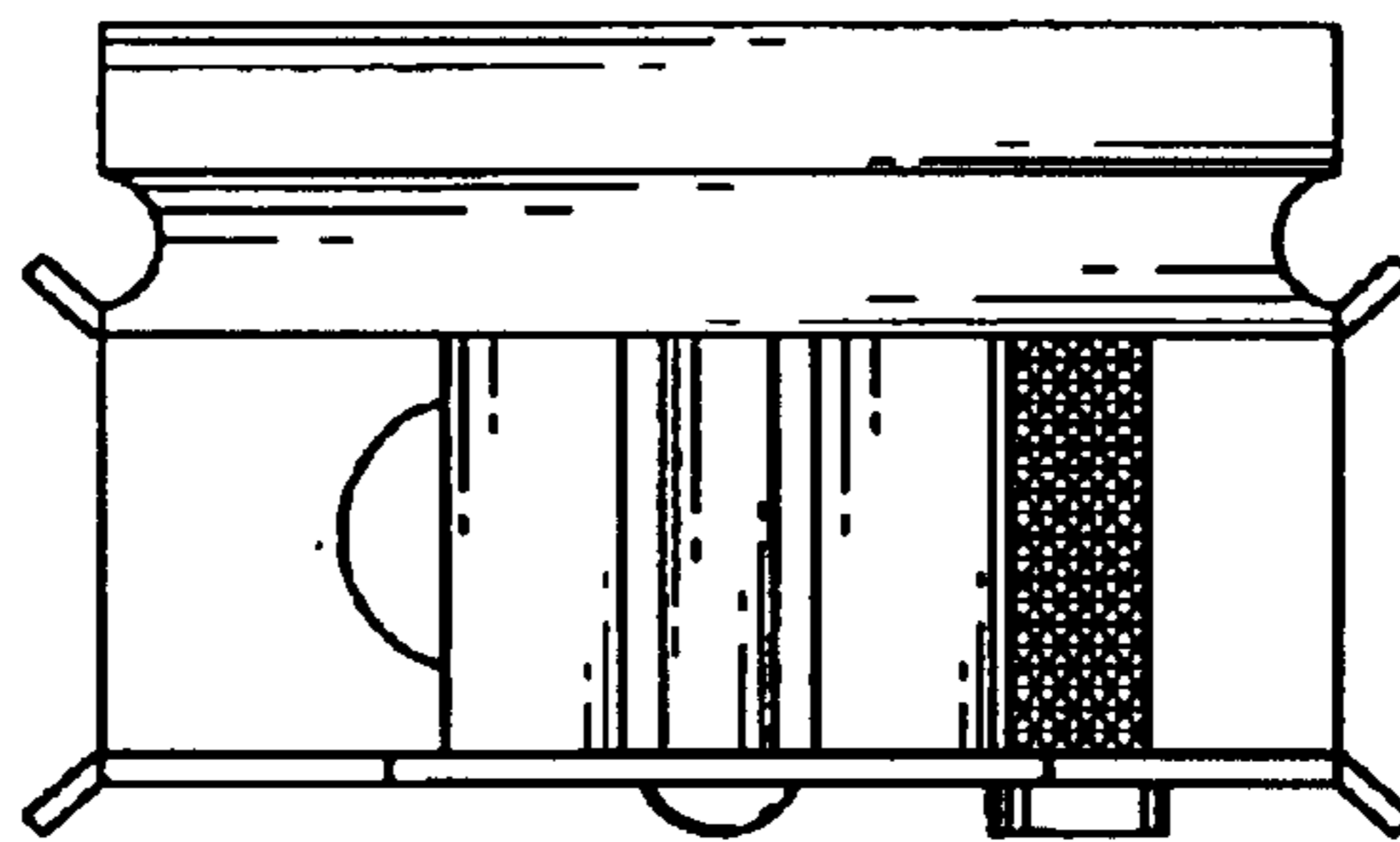


Fig. 3

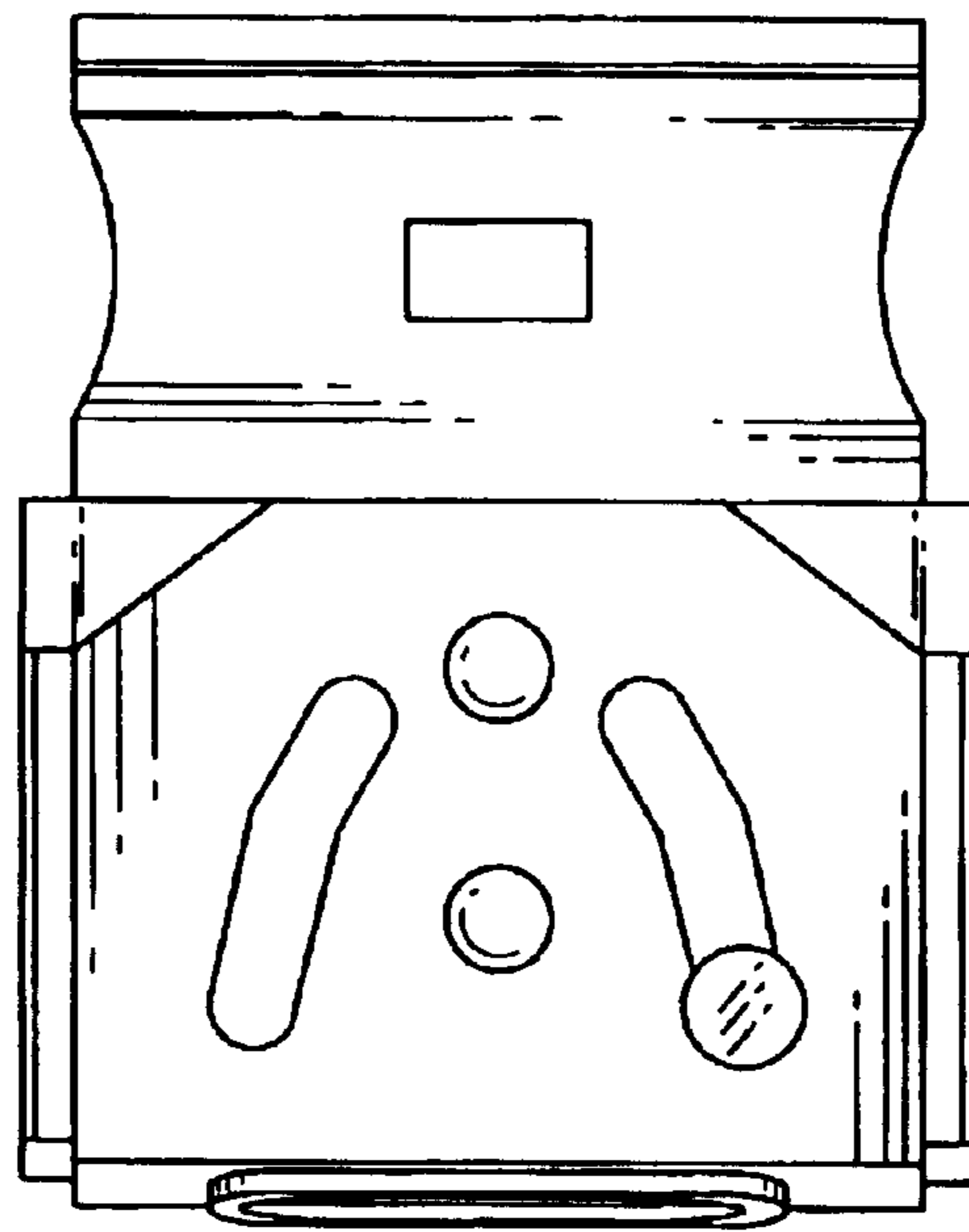


Fig. 4

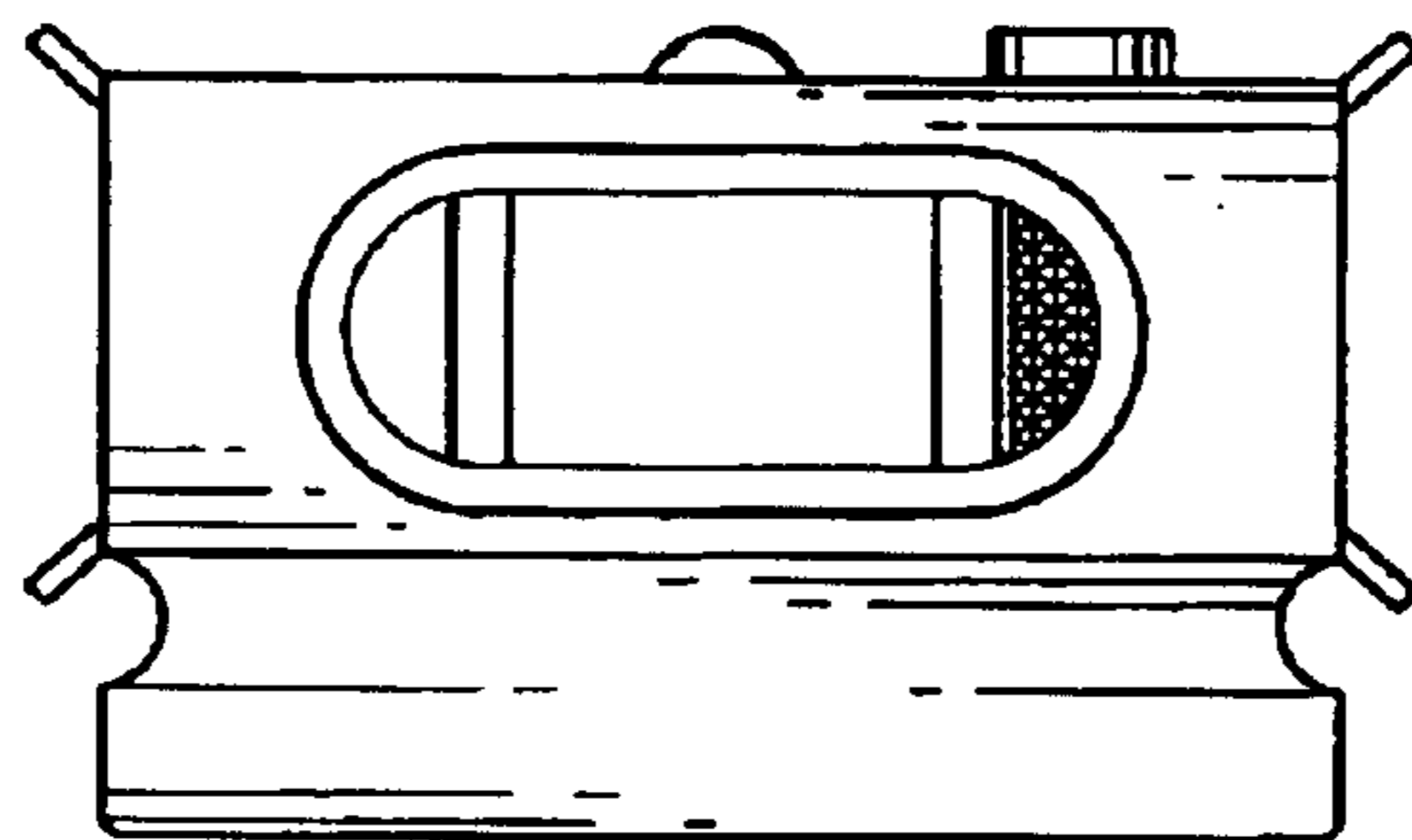


Fig. 5

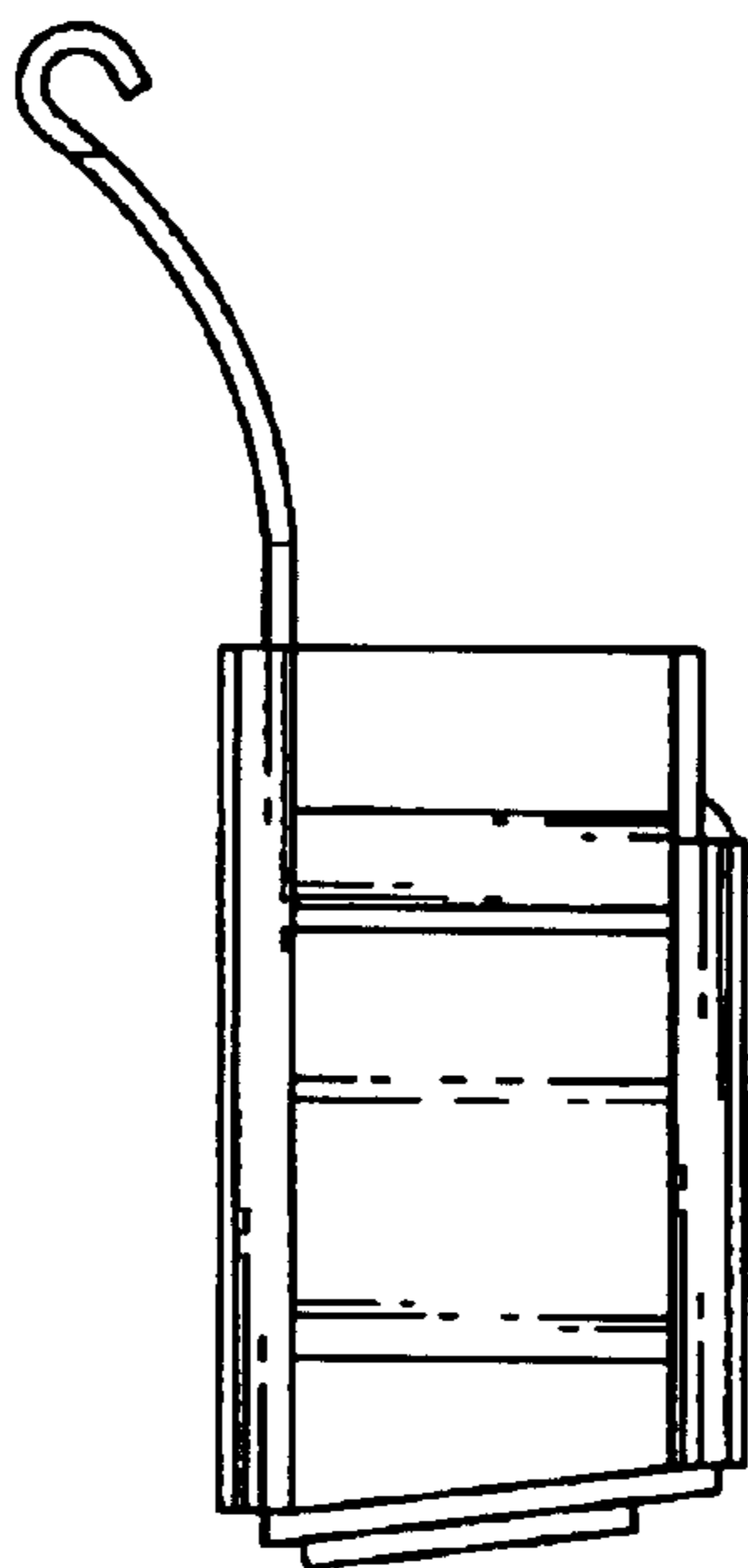


Fig. 6

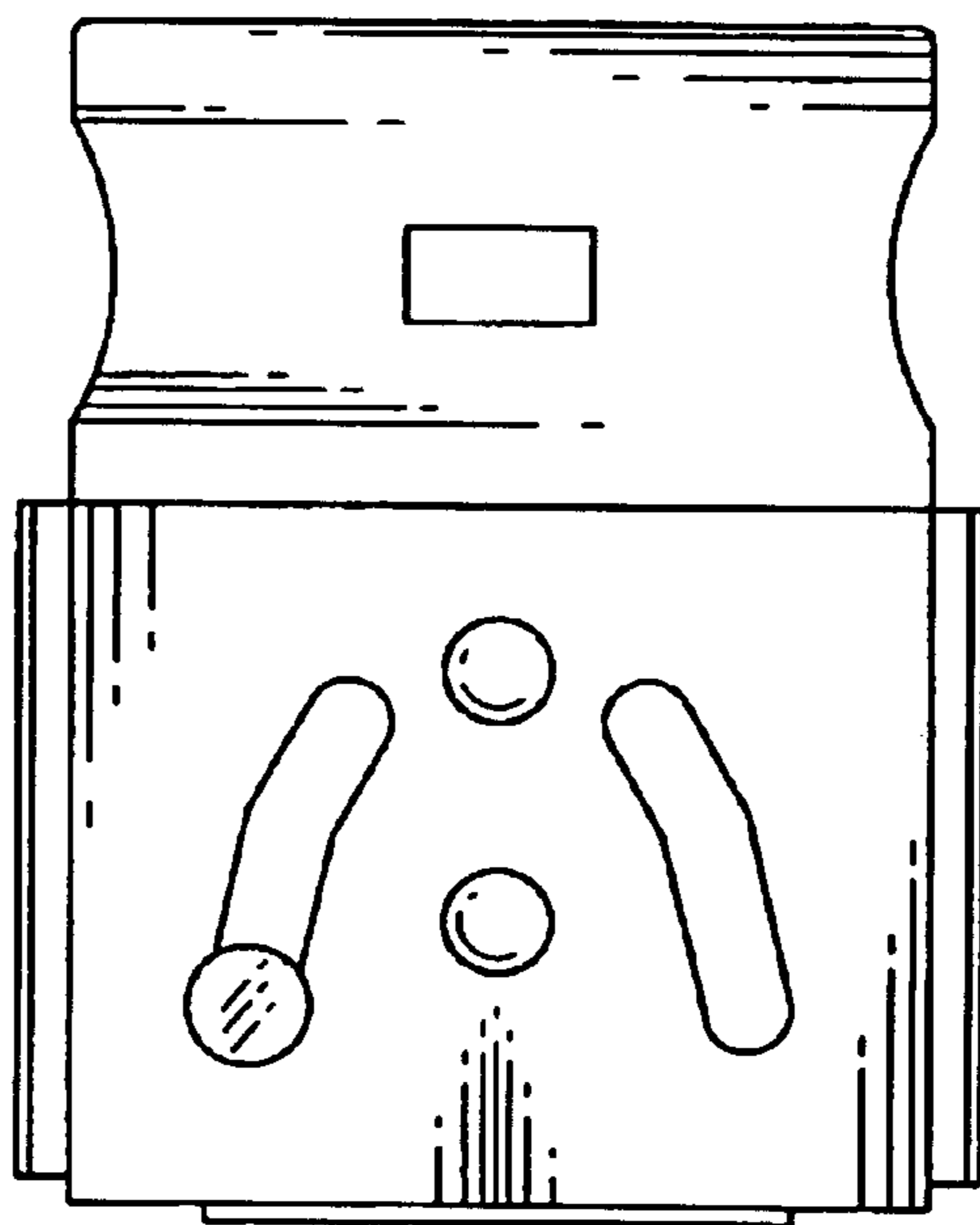


Fig. 7