

US00D541140S

(12) **United States Design Patent**
Allen et al.

(10) **Patent No.:** **US D541,140 S**

(45) **Date of Patent:** **** Apr. 24, 2007**

(54) **STORM SHUTTER TRACK**

(75) Inventors: **Clyde G. Allen**, Lapeer, MI (US); **J. Richard Logan**, Oxford, MI (US); **Nathan Greenway**, Metamora, MI (US); **Brad Kutler**, Leonard, MI (US)

(73) Assignee: **Tapco International Corporation**, Wixom, MI (US)

(**) Term: **14 Years**

(21) Appl. No.: **29/239,501**

(22) Filed: **Sep. 30, 2005**

(51) **LOC (8) Cl.** **08-05**

(52) **U.S. Cl.** **D8/377**

(58) **Field of Classification Search** D6/575-581;
D3/260; D8/377; D12/220; 174/496; 160/32,
160/168.1 V, 496; 4/506; 52/169.5; D13/155;
D20/44; D25/119, 122

See application file for complete search history.

(56) **References Cited**

U.S. PATENT DOCUMENTS

D310,775 S	*	9/1990	Ruonala	D8/377
D323,638 S	*	2/1992	Buechele	D12/220
D400,008 S	*	10/1998	Liaklev	D3/260
D408,558 S	*	4/1999	Levy	D25/119
D433,805 S	*	11/2000	Sjaastad	D3/260
D435,592 S	*	12/2000	Lecce	D19/51
D450,234 S	*	11/2001	Bosgoed	D8/377

D455,336 S	*	4/2002	Anderson	D8/377
6,483,027 B1	*	11/2002	Howard et al.	174/496
6,712,115 B2	*	3/2004	Judkins	160/32
D488,055 S	*	4/2004	Ter Braak	D8/377
D495,592 S	*	9/2004	Mausar et al.	D8/377
D519,310 S	*	4/2006	Schorling	D6/580
D522,297 S	*	6/2006	Miller et al.	D6/580
D524,085 S	*	7/2006	Miller et al.	D6/580
D530,967 S	*	10/2006	Smith	D6/580

* cited by examiner

Primary Examiner—T. Chase Nelson

Assistant Examiner—Barbara Blanton Lohr

(74) *Attorney, Agent, or Firm*—Howard & Howard Attorneys, P.C.

(57) **CLAIM**

The ornamental design for a storm shutter track, as shown and described.

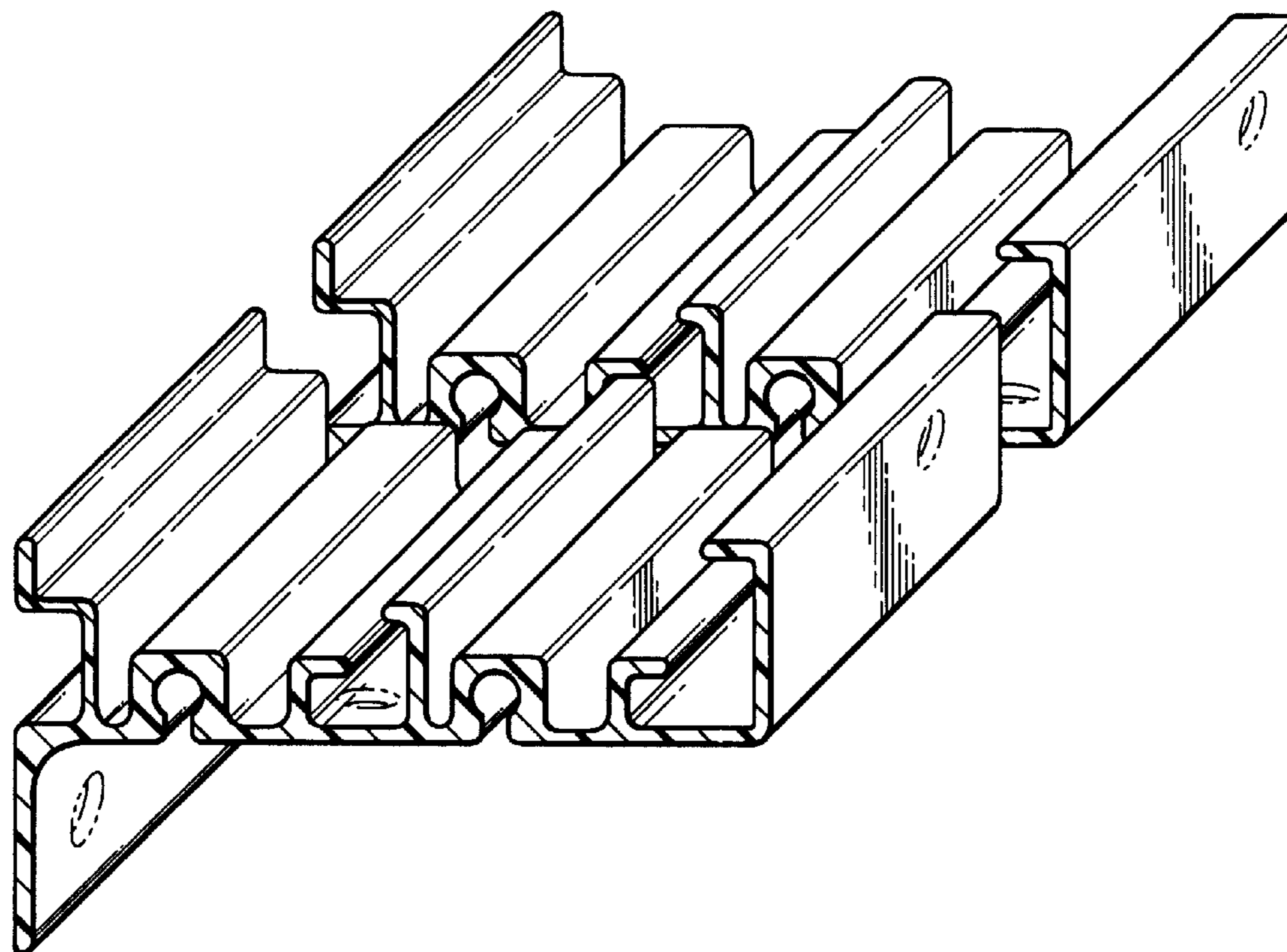
DESCRIPTION

FIG. 1 is a top right perspective view of a storm shutter track which is broken in the center indicating that a specific length of the storm shutter track forms no part of the claimed design; and,

FIG. 2 is a bottom left perspective view of the storm shutter track shown in FIG. 1.

The broken lines upon the storm shutter track are for illustrative purposes only and form no part of the claimed design.

1 Claim, 1 Drawing Sheet



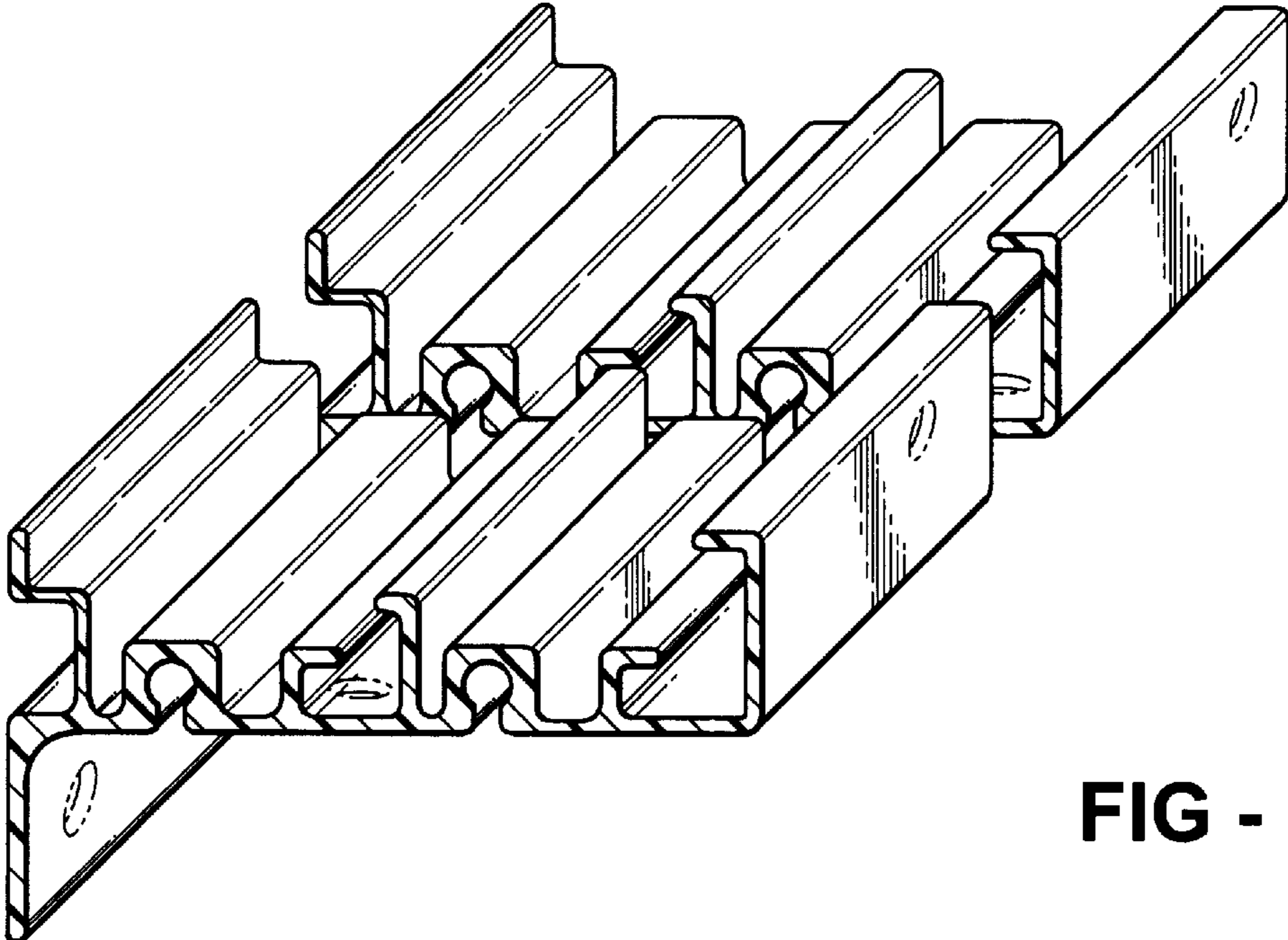


FIG - 1

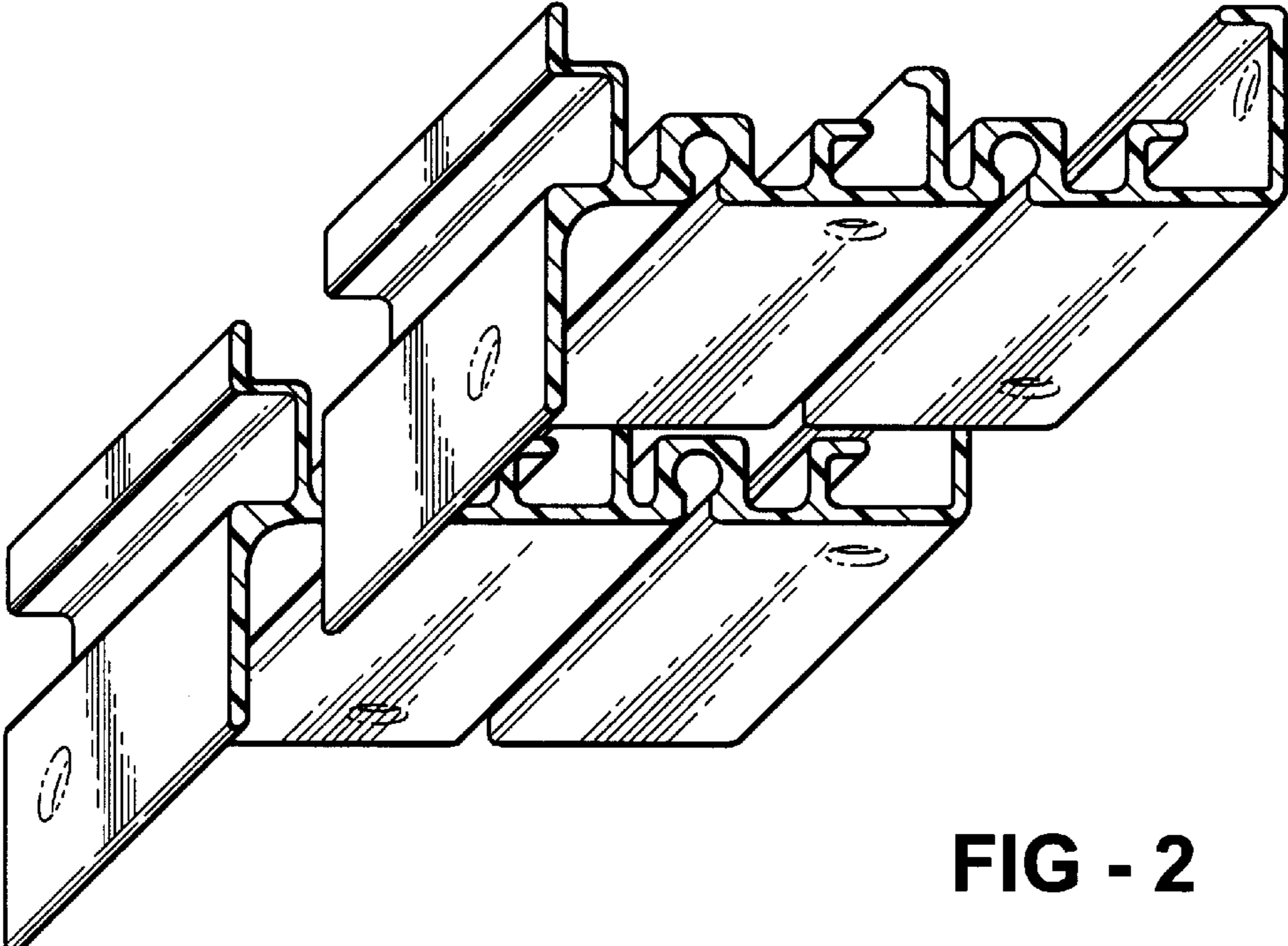


FIG - 2